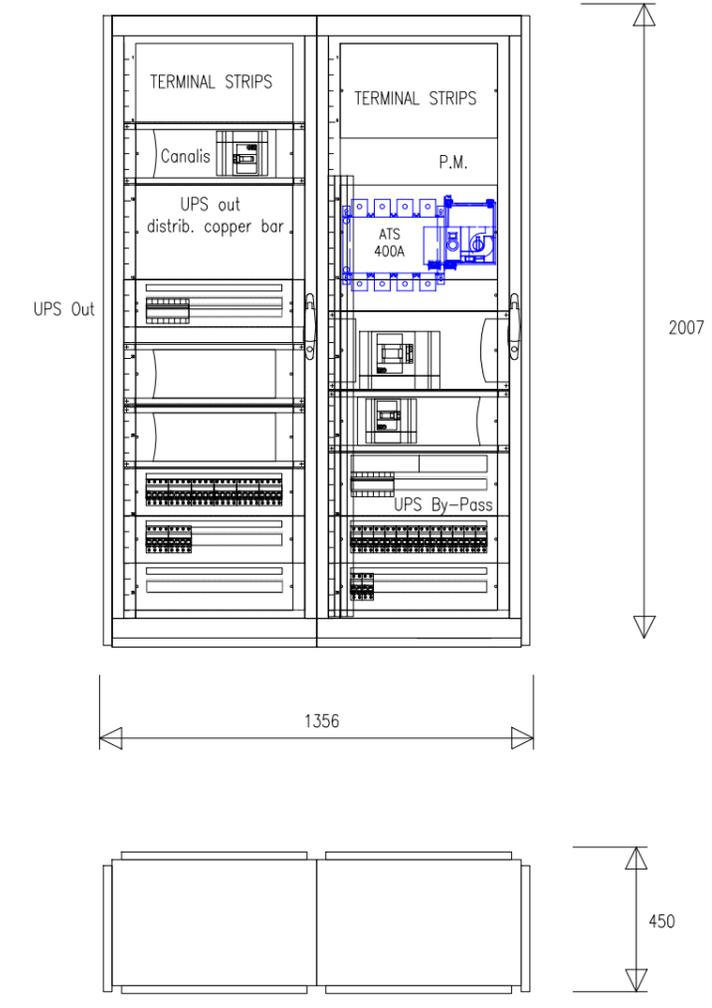
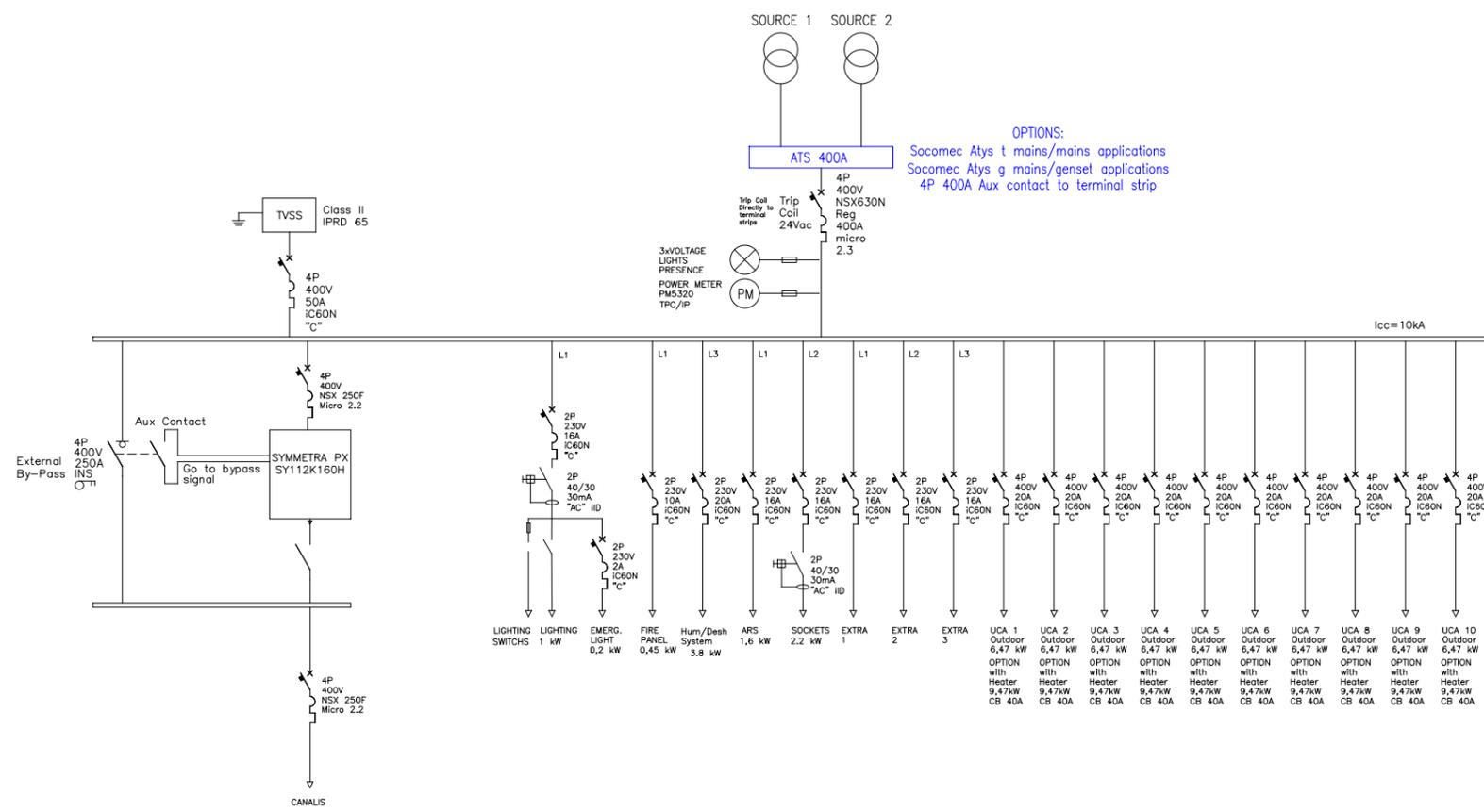


THIS DRAWING AND SPECIFICATIONS HEREIN ARE THE PROPERTY OF SCHNEIDER ELECTRIC AND SHALL NOT BE COPIED, REPRODUCED OR USED IN WHOLE OR IN PART, AS THE BASIS FOR THE MANUFACTURE OF ITEMS WITHOUT WRITTEN PERMISSION FROM SCHNEIDER ELECTRIC. THIS DRAWING IS BASED ON LATEST AVAILABLE INFORMATION AND IS SUBJECT TO CHANGE WITHOUT NOTICE.



Rev.	Date	Description	Rev.	Date	Description

QA System
 Drawn by DS
 Designed by DS
 Check by DS
 Authorised by XB

Schneider Electric
 C. Coto, 9
 08830 Sant Boi de Llobregat
 Barcelona (Spain)
 T: +34 934 751 481
 F: +34 933 772 880
 www.schneider-electric.com

9701 Windsch Rd, Suite 300
 West Chester Township
 OH 45069-3807
 United States
 T: +1 513 644 0560

Project	PFMICJ090F1R12B EMEA	Customer Logo
Drawing Title	ISO 40FT UCA SYMMETRA ELECTRICAL SINGLE LINE DIAGRAM	Drawing Code
Project Ref.	----	Sheet Size
Units	UNITS	Date
Scale		01.09.2017
Sheet Size	A3	