

2JW1102-C943B

2.4/5.0/6.0 GHZ ISM Connector Mount

Key Features

2.4/5.0/6.0 GHz ISM

- 2410-2490 MHz

- 4920-7125 MHz

Connector Mount

Wifi 6E Antenna

High Gain

High Throughputs

Low Latency

Ground Plane Independent

Hinged Connector

Dimensions 135 × 19 × 10 mm



1. Antenna and electrical specifications

Parameters	2.4/5.0/6.0 GHz ISM Antenna		
Standards	WiFi 6E, BT, ZigBee, ISM, SigFox, LoRa		
Band (MHz)	2.4 GHz	5.0 GHz	6.0 GHz
Frequency (MHz)	2410-2490	4920-5925	5925-7125
Return Loss (dB)	~-17.1	~-12.3	~-9.9
VSWR	~1.4:1	~1.7:1	~2.0:1
Efficiency (%)	~75.8	~84.5	~73.0
Peak Gain (dBi)	~-4.1	~-3.9	~-2.8
Average Gain (dB)	~-1.2	~-0.7	~-1.4
Impedance (Ohm)	50		
Polarisation	Linear		
Radiation Pattern	Omni-Directional		
Max. Input Power (W)	25		
Connector Type	RP-SMA-Male Standard (Other Connectors Available)		

Antenna Measurement Conditions:

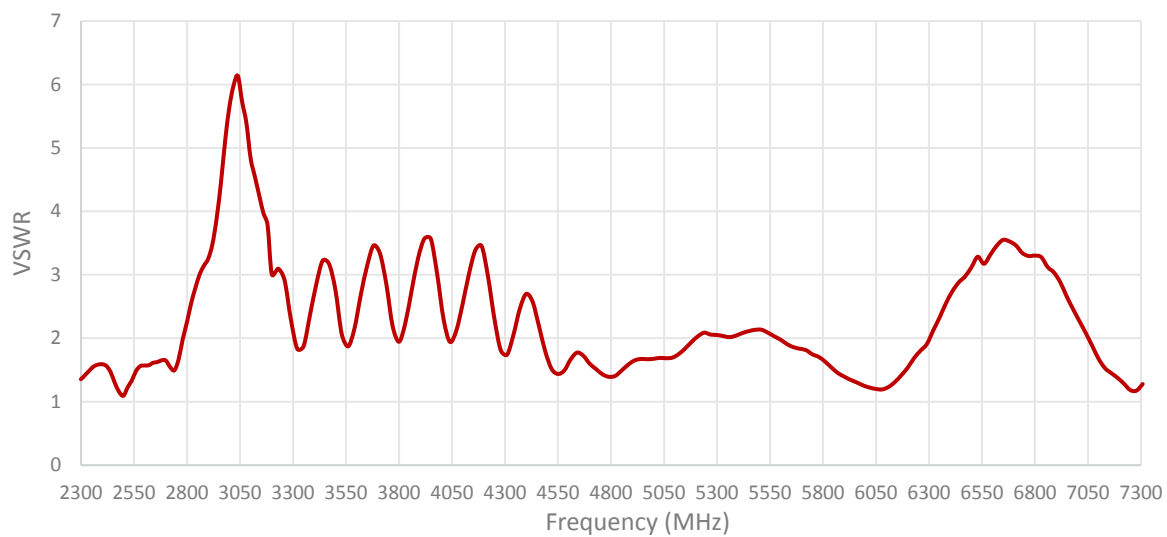
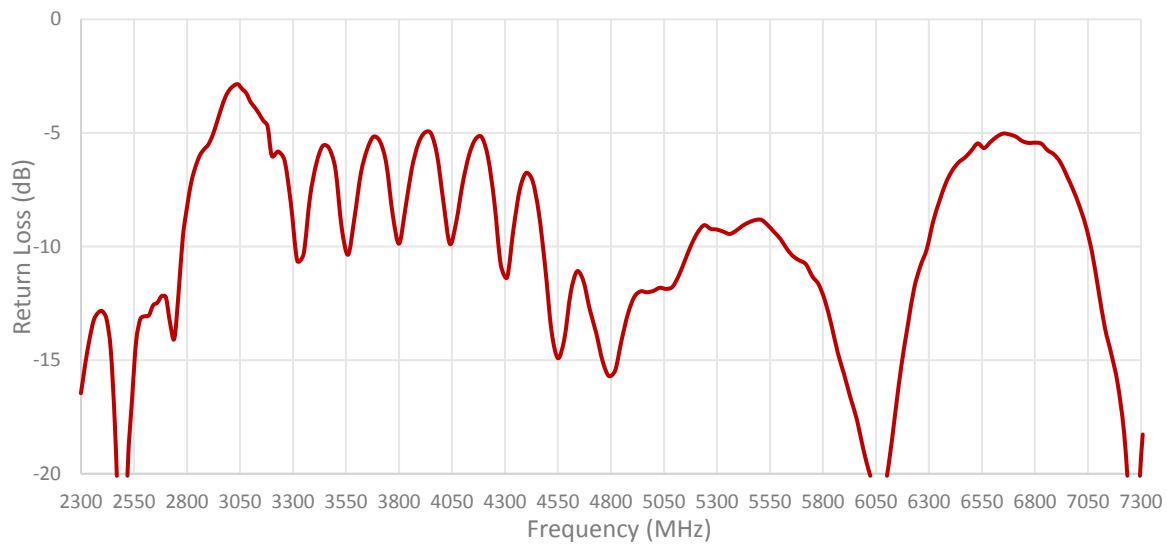
Free Space

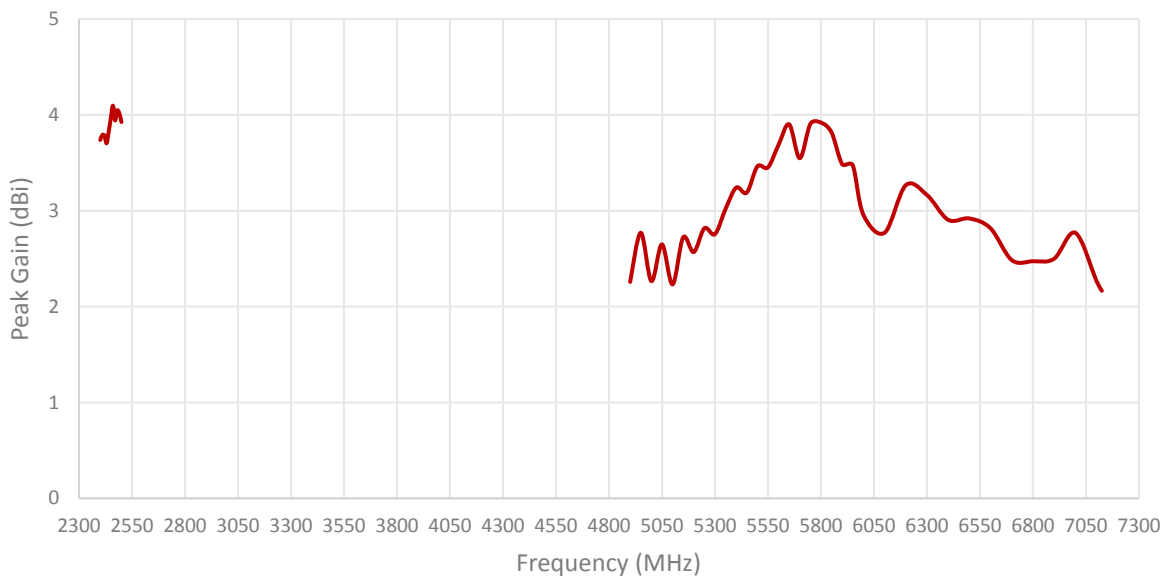
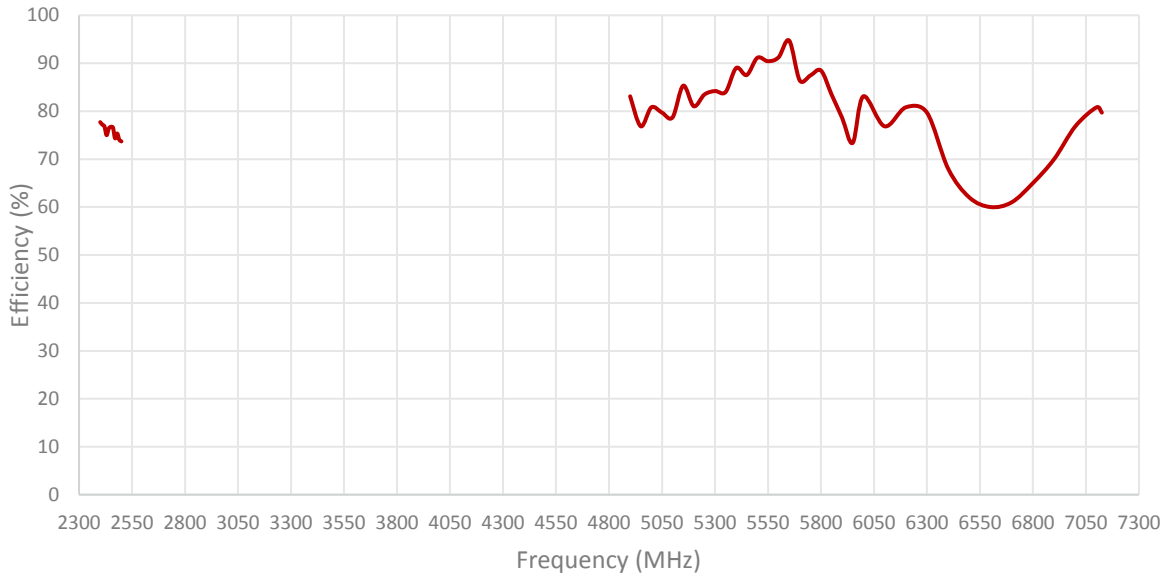
Measured in Certified CTIA 3D Anechoic Chamber

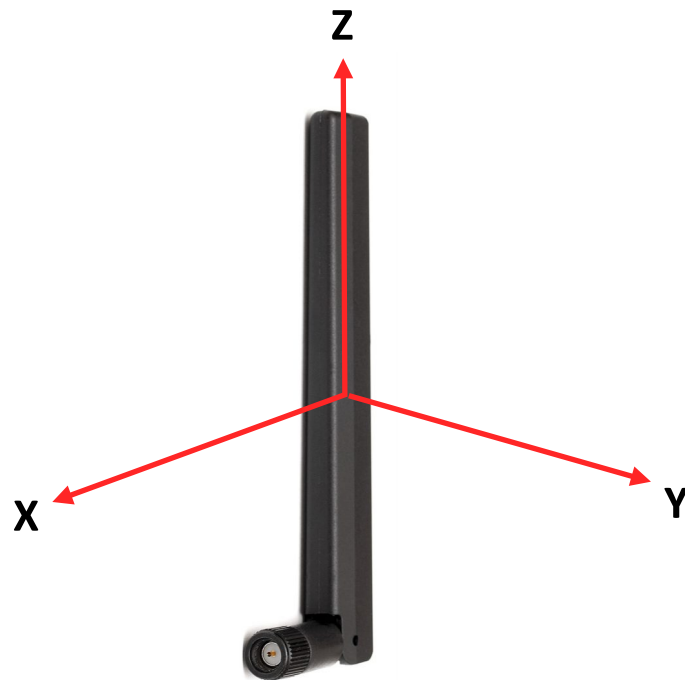
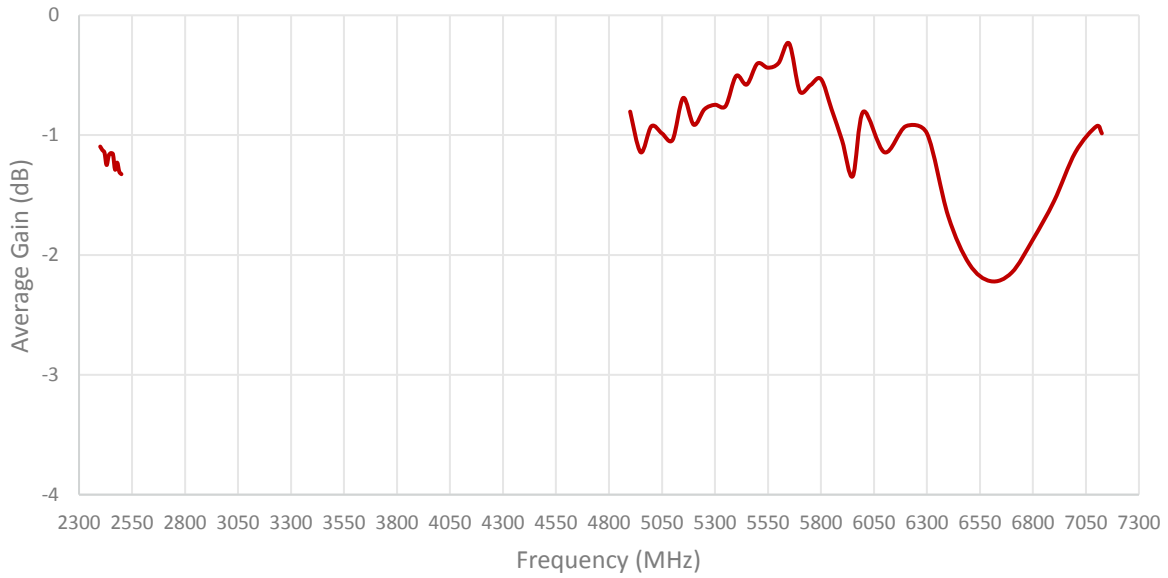
2. Mechanical and environmental specifications

Specifications	2JW1102-C943B
Mounting Type	Connector Mount
Dimensions (mm)	135 × 19 × 10
Radome	ABS UV Stable
Radome color	Black
Connector Feature	Hinged
Operating Temperature (C)	-40 to +85
Storage Temperature (C)	-40 to +85
Substance Compliance	RoHS

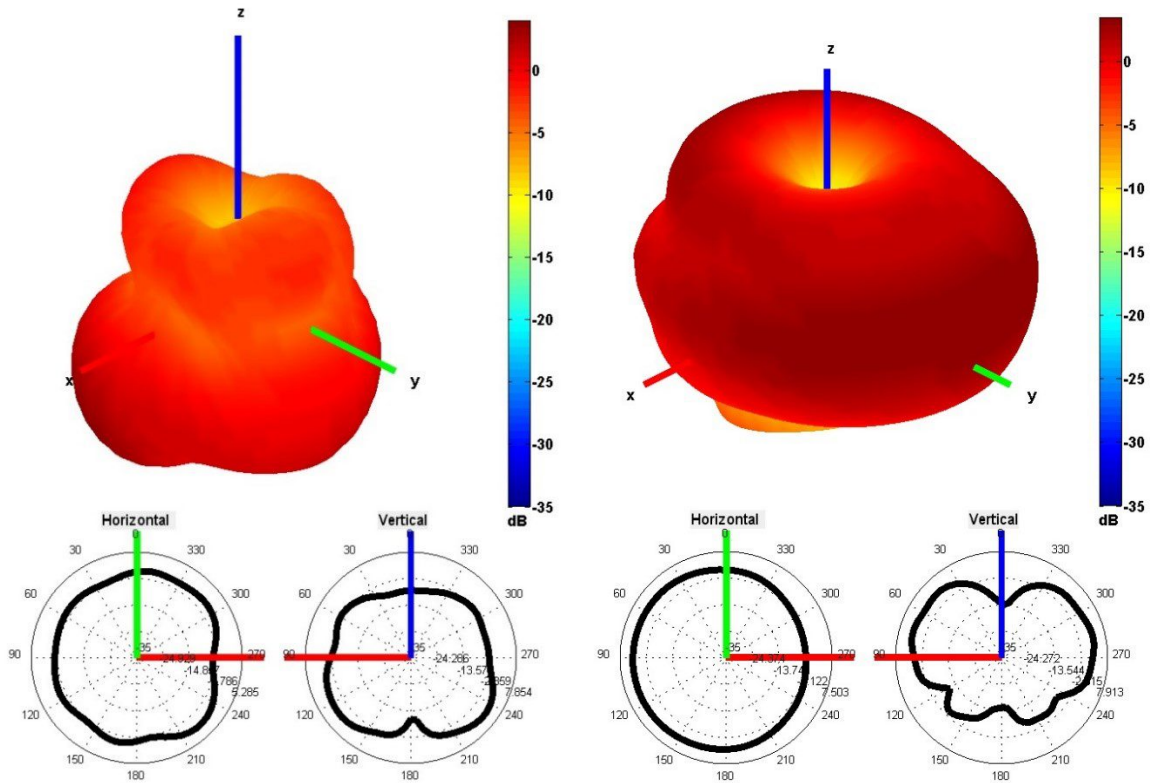
3. Antenna parameters



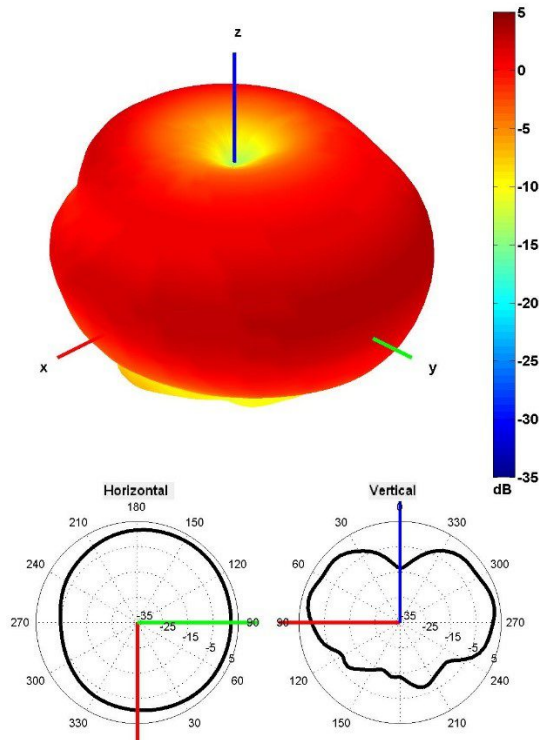




Radiation pattern reference



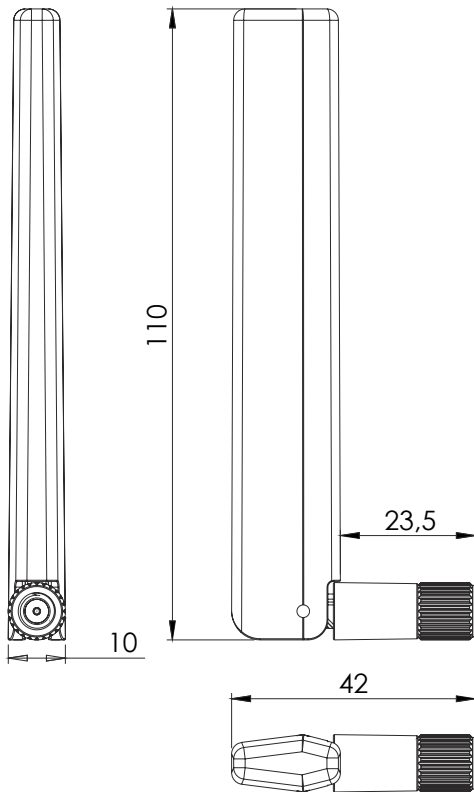
2450 and 5500 MHz Radiation pattern



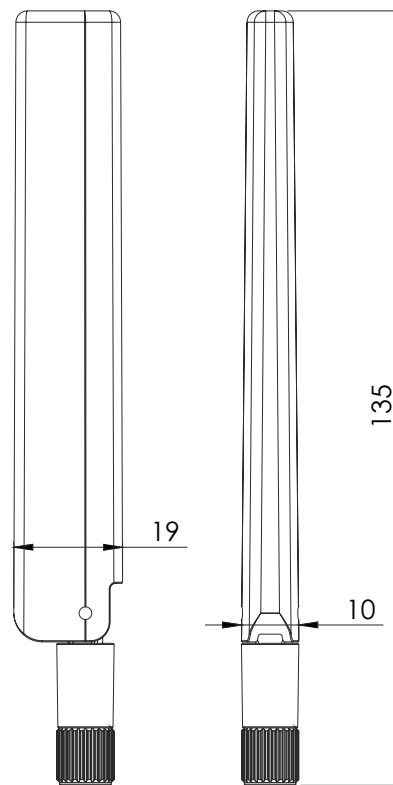
6500 MHz Radiation pattern

4. Antenna drawings

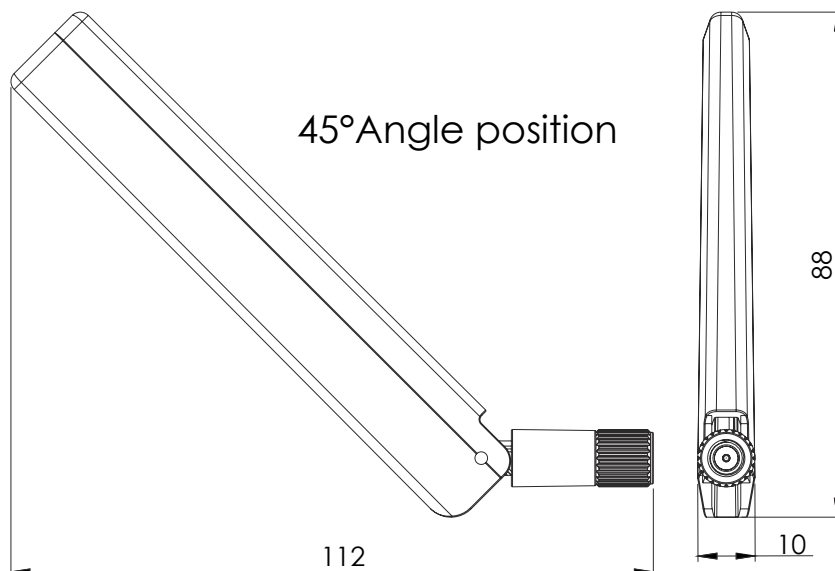
Right Angle position



Straight position



45° Angle position



5. Antenna Images

