

English



FUJITSU Server BS2000

SE700 / SE500

Server Unit /390

Operating Manual

Edition June 2015

Comments... Suggestions... Corrections...

The User Documentation Department would like to know your opinion on this manual. Your feedback helps us to optimize our documentation to suit your individual needs.

Feel free to send us your comments by e-mail to:

manuals@ts.fujitsu.com

Certified documentation according to DIN EN ISO 9001:2008

To ensure a consistently high quality standard and user-friendliness, this documentation was created to meet the regulations of a quality management system which complies with the requirements of the standard DIN EN ISO 9001:2008.

cognitas. Gesellschaft für Technik-Dokumentation mbH

www.cognitas.de

Copyright and Trademarks

Copyright © 2015 Fujitsu Technology Solutions GmbH.

All rights reserved.

Delivery subject to availability; right of technical modifications reserved.

All hardware and software names used are trademarks of their respective manufacturers.

The Xen® mark is a trademark of Citrix Systems, Inc., which manages the mark on behalf of the Xen open source community. The Xen® mark is registered with the U.S. Patent and Trademark Office, and may also be registered in other countries.

Novell and SUSE are registered brands of Novell, Inc. in the USA and other countries.

Linux is a registered brand of Linus Torvalds.

Windows® is a registered trademark of Microsoft Corporation.

The Linux-based basic software M2000, X2000, and HNC which is installed on the Management Unit, Server Unit x86, and HNC contains Open Source Software. The licenses for this can be found in the LICENSES directory on the relevant installation DVD

Contents

1	Introduction	5
2	Server Unit SU700	7
2.1	CPU box	8
2.2	Channel box (CHE box)	8
3	Server Unit SU500	9
3.1	CPU box	10
3.2	Channel box (CHE box)	10
4	Operating the service processor	11
4.1	Opening the SVP console	12
4.2	General SVP frame structure	14
4.2.1	System status messages in line 22	15
4.2.2	System status messages in line 23	16
4.2.3	Hardware status display in line 24	17
4.2.4	Status displays in line 25	18
4.3	Using SVP frames	19
4.3.1	SVP functions (function keys)	19
4.3.2	Switching between SVP frames	22
4.3.3	Options for switching between frames	23
4.4	SVP frames and subframes	24
4.4.1	(ML) MODE SELECTION FRAME	24
4.4.2	(LD) PROGRAM LOAD FRAME: BASIC	27
4.4.2.1	(LD) PROGRAM LOAD FRAME: DETAIL-1	28

Contents

4.4.2.2	(LD) PROGRAM LOAD FRAME: DETAIL-2	32
4.4.3	(ST) STATUS DISPLAY FRAME	34
4.4.4	(MA) MANUAL OPERATION FRAME	35
4.4.5	(AD) ALTER/DISPLAY FRAME	37
4.4.6	(ME) MESSAGE FRAME	41
4.4.7	(CH) CH/SUBCH STATUS DISPLAY FRAME: CHANNEL	42
4.4.8	(AU) AUXILIARY FRAME: MENU	44
4.4.8.1	(AU1) AUXILIARY FRAME: REAL CLOCK	45
4.4.8.2	(AU2) AUXILIARY FRAME: IORSF CONTROL	46
4.4.8.3	(AU3) AUXILIARY FRAME: RELATED SCB'S	48
4.4.8.4	(AU4) AUXILIARY FRAME: POWER STAND-BY/IMPL	49
4.4.8.5	(AU5) AUXILIARY FRAME: LOAD PRESET1	50
4.4.9	(MF) MSF FRAME	53
4.4.10	(PA) PERFORMANCE ANALYZER FRAME	54
4.5	Examples of SVP operation	55
4.5.1	Selecting IORSF	55
4.5.2	Activating IORSF	58
4.5.3	Setting up PROGRAM LOAD FRAME PRESET1	59
4.5.4	Setting up PROGRAM LOAD FRAME PRESET2	61
4.5.5	Executing IPL in PROGRAM LOAD FRAME: DETAIL-1	62
4.5.6	Setting operating mode via PROGRAM LOAD FRAME: DETAIL-2	66
5	HNC (High Speed Net Connect)	69
5.1	Front of the HNC	70
5.2	Rear of the HNC	73
6	What to do if	77
6.1	Indicators when a hardware fault occurs	77
6.2	Performing a system dump	78
	Related publications	79
	Index	81

1 Introduction

The FUJITSU Server BS2000 SE Series unites the existing server lines S servers and SQ servers in the server line SE servers.

Depending on requirements, the SE server contains all the system components needed for operation as an overall application:

- /390-based BS2000 Server Unit
- x86-based Server Units with BS2000, Linux or Windows guest systems
- x86-based Application Units for operation under Linux, Windows or VMware
- Shareable tape and disk periphery
- A high-speed, server-internal infrastructure to connect the components with each other and with the customer LAN or SAN.

The SE700 / SE500 / SE300 Operating Manual, which consists of a number of modules, describes the features and hardware components of the FUJITSU Server BS2000 of the SE Series. Users should read the operating manuals carefully in order to obtain optimal performance from the SE server.

This manual described the hardware component Server Unit /390 (SU700 and SU500) and complements the Basic Operating Manual [1]. You will find a comprehensive introductory chapter in the Basic Operating Manual . The chapters "Important notes" chapter on SE server operation and "Environmental protection and service" are contained only in the Basic Operating Manual .

2 Server Unit SU700

This section describes the Server Unit SU700. SE700 is equipped with an SU700 as the first Server Unit.



Components and ports which are not used are not described below.

The SU700 enables BS2000 to execute (in Native mode on on BS2000 VMs) on /390 architecture.

Features

- 10 models with a high performance range are available. Depending on the model, one or two processor modules are used. The processor module has 8 CPUs. Depending on the model, 2 to 15 processors are available. Capacity on Demand permits temporary processor attachment.
- One hot spare processor is available with dynamic activation.
- The main memory is up to 256 GB in size.
- The I/O system has up to 126 Fibre Channels, each with a throughput of 8 Gbit/s.
- The SU supports a 10 Gbps LAN (connection via the HNC).

The Server Unit SU700 consists of the following components:

- a CPU box (see [section “CPU box”](#))
- an AROMA-P (Automatic and Remote Operation Manager) controls the power supply of the SU and occupies two height units (HUs).
- two to eight channel boxes (see [section “Channel box \(CHE box\)”](#))

2.1 CPU box

Depending on the configuration, the CPU box contains one or two system boards.

Each system board contains a processor chip with the following features:

- depending on the model, up to eight CPU cores with a joint cache
- two IOPs (I/O processors)
- one Mac (Memory Access Controller)
- The processor chip is connected directly to the memory of the system board.
- Processors on different system boards communicate over an Inter Connect Interface.

The CPU box, together with AROMA-P, occupies six height units (HUs) in the rack.

2.2 Channel box (CHE box)

Depending on the configuration level, up to eight channel boxes (#0 through #7) and up to 126 FC channels are possible in an SE700. In the basic configuration, the SU700 has two channel boxes, channel box #0 and channel box #4.

Up to eight channel modules, each with two FC channels (8 Gbps), can be integrated into a channel box. Only in the case of the first channel box is the first slot already occupied on the system side.

A channel box occupies two height units (HUs) in the rack.

3 Server Unit SU500

This section describes the Server Unit SU500. SE500 is equipped with an SU500 as the first Server Unit.



Components and ports which are not used are not described below.

The SU500 enables BS2000 to execute (in Native mode on on BS2000 VMs) on /390 architecture.

Features

- 6 models with a high performance range are available. The processor module has 8 CPUs. Depending on the model, 1 to 3 processors are available. Capacity on Demand permits temporary processor attachment.
- One hot spare processor is available with dynamic activation.
- The main memory is up to 64 GB in size.
- The I/O system has up to 94 Fibre Channels, each with a throughput of 8 Gbit/s.
- The SU supports a 10 Gbps LAN (connection via the HNC).

The Server Unit SU500 consists of the following components:

- a CPU box (see [section “CPU box”](#))
- an AROMA-P (Automatic and Remote Operation Manager) controls the power supply of the SU and occupies two height units (HUs).
- two to six channel boxes (see [section “Channel box \(CHE box\)”](#))

3.1 CPU box

The CPU box contains one system board.

The system board contains a processor chip with the following features:

- four CPU cores with a joint cache
- two IOPs (I/O processors)
- one Mac (Memory Access Controller)

The CPU box, together with AROMA-P, occupies six height units (HUs) in the rack.

3.2 Channel box (CHE box)

Depending on the configuration level, up to six channel boxes (#0 through #5) are possible. In the basic configuration, the SU500 has two channel boxes, channel box #0 and channel box #5.

Up to eight channel modules, each with two FC channels (8 Gbps), can be integrated into a channel box. Only in the case of the first channel box is the first slot already occupied on the system side.

A channel box occupies two height units (HUs) in the rack.

4 Operating the service processor

The service processor (SVP) is operated under menu guidance via the “SVP Console Window”. The SVP console window is made available by the SE Manager when the SVP console is called.

Jobs are assigned to the service processor via special SVP frames (in this chapter abbreviated to: frames). All the information you require as an operator working with the frames can be found in this chapter.

After switching on the MU and the Server Unit, BS2000 operation must be prepared, i.e. the BS2000 operating system must be loaded (IPL = Initial Program Load). The following activities may be required for the IPL:

- select the IORSF (Input/Output Resource File) and start the IMPL (Initial Micro Program Load)
This is only necessary if you want to load another IORSF.
- specify the operating mode (Native/VM2000)
This is only necessary if you want to change the mode setting.
- start IPL using PROGRAM LOAD FRAME
To do this you may have to redefine device parameters in the DETAIL-1 frame.
- configure an automatic IPL (POWER ON IPL)

The following sections provide examples of standard processing relevant to loading of BS2000. There is also a description of how to select a particular configuration and how to re-initialize the SVP.

Standard processing at the SKP console at a glance:

- Selecting IORSF
- Re-initializing SVP
- Setting up PROGRAM LOAD FRAME: PRESET-1
- Setting up PROGRAM LOAD FRAME: PRESET-2
- Setting the operating mode for "loading BS2000 / VM2000" using PROGRAM LOAD FRAME: DETAIL-2
- Executing IPL in PROGRAM LOAD FRAME: DETAIL-1

4.1 Opening the SVP console

- ▶ Proceed as follows to log in on the SE Manager as an administrator: When you log in as an operator, the account must have the SVP right.

After you have logged in successfully, you can access the functions of the SE Manager and consequently also those for operating the operating system (BS2000 or VM2000) on the Server Unit.

- ▶ Select *Systems* → <su-name> (SU</390>), *BS2000 operation mode* tab.

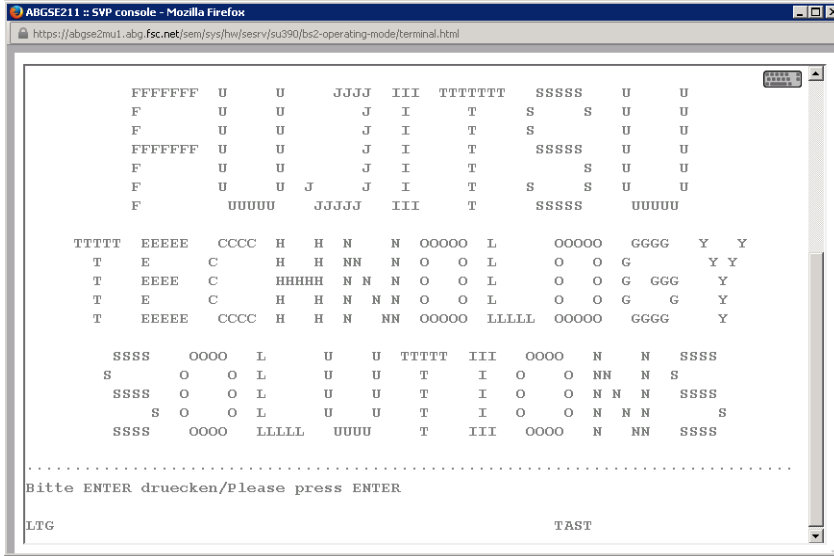
The screenshot shows the SE Manager web interface. The top navigation bar includes 'SE Manager', 'System Administrator', 'Log out', and the Fujitsu logo. Below the navigation bar, the 'Management Unit (abgse2mu1)' is selected. The left sidebar contains a menu with categories: Dashboard, Systems, Overview, Applications, Performance, Devices, Hardware, and Authorizations. Under 'Systems', the 'ABGSE211 (SU700)' is expanded, showing sub-items 'su1-se2 (SU300)', 'abgqa500 (AU47)', and 'abgqa600 (AU47)'. The main content area is titled 'BS2000 operation mode' and contains several sections for 'Server Unit ABGSE211':

- Status:** RUNNING (since 2015-06-03 13:11:23), Operation mode: VM2000 mode, Active IORSF file: 1 (SU700001SU700-29001 / 2.MU, KANALAEENDERUNGEN, 2.HNC / 20.04.15)
- Actions:** Change BS2000 operation mode
- SVP console:** Open
- SVP Bedienung:** A table showing Management Unit and Status.

Management Unit	Status
abgse2mu1	ACTIVE
abgse2mu2	PASSIVE

- ▶ Click *Open* in the *SVP console* group to open a window with the SVP console. Information on console access can also be obtained in the SE Manager's help.

A new window opens in which a terminal emulation sets up the connection to the SVP console:



- ▶ Confirm connection setup with the **[ENTER]** key.

After a brief wait time, the SVP frame below is displayed:

- After the server has been started: the MODE SELECTION FRAME (see [page 24](#))
- After the SVP console has been closed and opened again or when an SVP console has already been opened by another user: the last frame displayed.



CAUTION!

When the SVP frame is opened again or when another SVP console is opened by another user, the window content is not displayed in full.

Click on **[Clear]**. This causes the screen to be refreshed, i.e. the frame that was last output is displayed again in its entirety.

If possible, the SVP should only be used via an SVP console. As frame outputs are sent to all active SVP consoles, operating multiple SVP consoles at the same time leads to them impairing each other.

4.2 General SVP frame structure

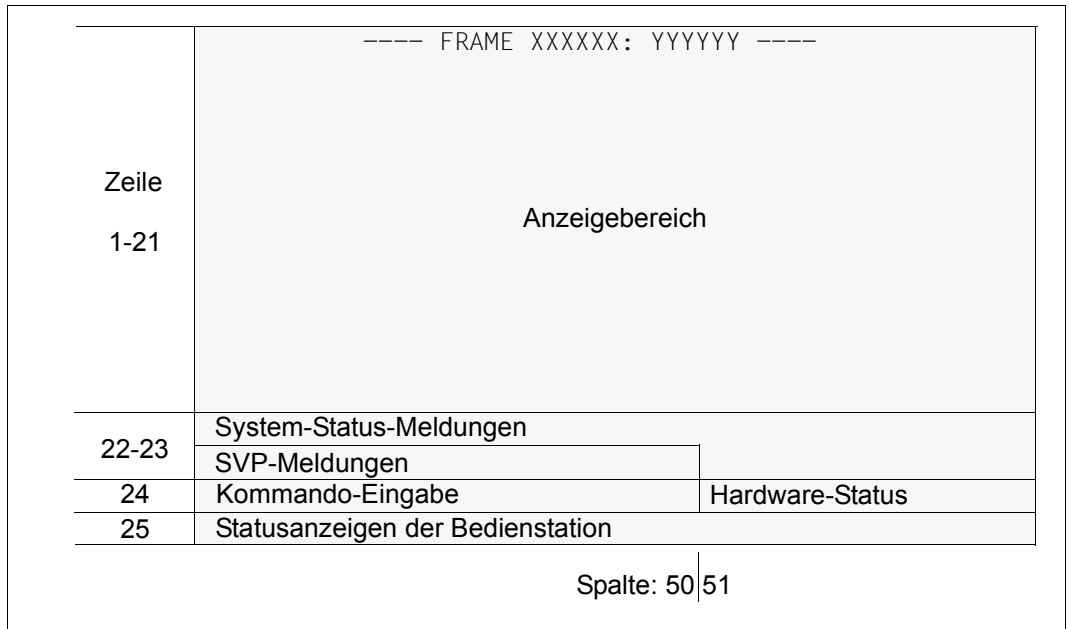


Figure 1: General structure of a frame

Each frame is divided into different areas:

- Lines 1 - 21 This is the display area of a frame. Here the functions and parameters that may be selected or output are displayed. Hardware-related information is also output.
- Line 22 + 23 System status messages and SVP messages are displayed here.
- Line 24 Commands can be entered here. Information on the hardware status is shown as of column 51.
- Line 25 This line is used for the status displays of the emulated console.

4.2.1 System status messages in line 22

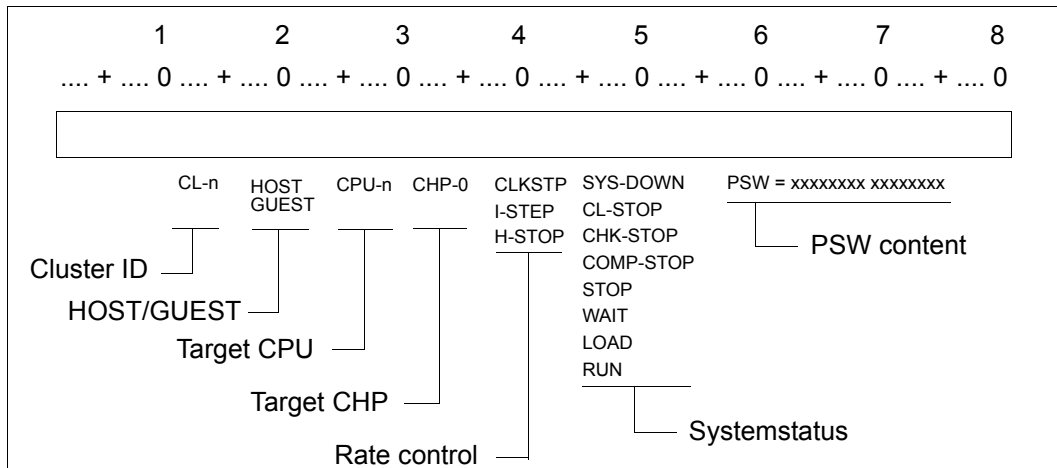


Figure 2: Format of the status display in line 22

Meaning of the status information in line 22:

Column	Icon	Meaning
17 - 20	CL -n	Cluster ID of the Server Unit (n = 0 - 3)
22 - 26	none HOST GUEST	The system is operated in BS2000-NATIVE mode The selected CPU is occupied by the VM2000 monitor system The selected CPU is occupied by a VM2000 guest system
28 - 32	CPU - n	Display of the selected CPU (n = 0 - F); selection with PF16
34 - 38	CHP - 0	Display of the channel processor CHP - 0.
40 -45	none CLKSTP I-STEP H-STOP	The system is in the normal status The system is in the clock-stop status The system is in the instruction step mode The system is in the hardware stop status
47 - 55	SYS-DOWN CL-STOP CHK-STOP COMP-STOP STOP WAIT LOAD RUN	The system is in the system down status The cluster is in the clock stop status The selected CPU is in the CHECK stop status The address comparison stop mode is active and the selected CPU is in the address comparison stop status The selected CPU is in the stop status The selected CPU is in the wait status An IPL is executed via the selected CPU The selected CPU is in the run status
58 -80	none PSW =	The system is in the run status The system is in the stop status on the PSW address (PSW=Program Status Word)

4.2.2 System status messages in line 23

The following picture shows the extended area of the system status messages in line 23:

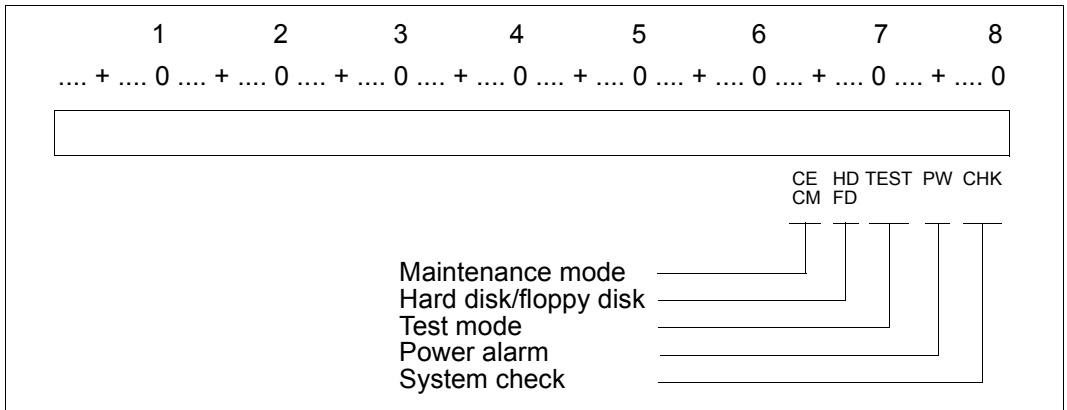


Figure 3: Format of the extended area of the status display in line 23

Meaning of the status messages in line 23:

Column	Icon	Meaning
63 - 64	none CE CM	The SVP is in user mode The SVP is in maintenance mode The SVP is in hot system maintenance mode
66 - 67	HD FD	Hard disk 2 or MO (Magneto Optical disk) is online A formatted floppy disk is mounted in the FD drive
70 - 73	none TEST	The system is in the user mode The system is in test mode = maintenance mode (display together with CE)
75 - 76	none PW	The power supply is okay (Power Warning) An error has occurred in the power supply of the server
78 - 80	none CHK	No machine error (machine check) A machine error occurred in the server

4.2.3 Hardware status display in line 24

The following diagram shows the format of the hardware status display in line 24:

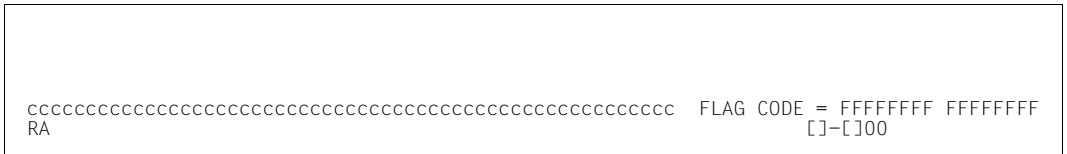


Figure 4: Format of the status display in lines 24 and 25

Meaning of the status information in line 24:

Column	Icon	Meaning
2 - 50	cccc cccc	Command input area
52 - 80	FFFFFFFF FFFFFFFF	FLAG code

The FLAG code represents a message or error code which can be evaluated by service department personnel. The display appears according to the severity of the FLAG code which occurred. As a rule the last FLAG code is displayed.

4.2.4 Status displays in line 25

Displays in line 25 of the SVP console and their meaning:

Column	Icon	Meaning
2	R	The console is ready
3	A	The SVP is active
10 - 25	none	The SVP is ready for input
10	X	Input locked
12 - 25	WAIT SYSTEM NOT CONNECTED CONNECTING	After input the keyboard is locked until output is completed Keyboard still locked because of SVP activity The MU has no connection to the SVP A connection to the SVP is being set up
31	none T	The system is in user mode The system is in test mode = maintenance mode
32	none S	The selected CPU is in the run status The selected CPU is in the stop status
33	none W	The selected CPU is in the run status The selected CPU is in the wait status
61 - 70	[] - [] 00	Status display for hardcopy printers This display is irrelevant for the MU
	For a redundant MU:	
	ACTIVE	This MU has a connection to the SVP
	NOT ACTIV	The other MU has a connection to the SVP

If a write console message is output (e.g. SHUTDOWN COMPLETED), line 25 is displayed in the format of the terminal emulation, and the BEL icon is displayed.

```
cccccccccccccccccccccccccccccccccccccccccccccccccccccccccccccccccc FLAG CODE = D90557 X 00000H00
LTG                                BEL                                TAST FEHL                                EM:1
```

Spalte	Symbol	Bedeutung
1 -3	LTG	Übertragungsleitung eingeschaltet
21 -23	BEL	Signal
56 - 59	TAST	Tastatur angeschlossen
61 - 64	FEHL	Eingabeversuch bei gesperrter Tastatur
76 - 79	EM:1	Emulationsebene 1

To delete the message and switch the display from line 25, click on [ModSel].

4.3 Using SVP frames

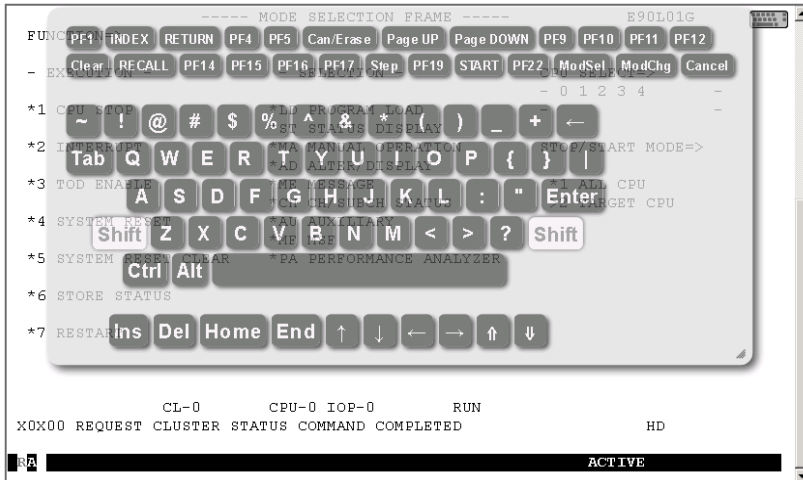
You assign a job to the SVP by invoking the relevant frame, selecting the desired function, and specifying the required parameters. To select a function or specify a parameter, you must enter the alphanumeric characters shown in the frame in the input fields marked by an arrow (=>). After an entry, the cursor automatically switches to the next entry field. You can select entry fields manually with the tabulator key or arrow keys. Once you have entered all the functions and parameters assigned to a job, press the **ENTER** key. In some frames, SVP functions can also be initiated by actuating the corresponding function key (also known as pfkey).

Instead of selecting a function, you can also enter a command in the command input line in all frames (screen line 24) and assign a job to the SVP in this way. Frames can also be selected using the `FR_LFrame-ID`, e.g. `FR ML` (to switch to the MODE SELECTION FRAME, in upper or lower case). A command entered in line 24 takes priority over a selected frame function.

4.3.1 SVP functions (function keys)

A virtual keyboard is available to you for making entries on the SVP console.

- ▶ Click the keyboard icon at the top right to open the virtual keyboard. Clicking the icon again closes the keyboard.



Function keys (pfkeys) **PF1** through **PF24** and **Clear** and **Cancel** are located in the upper part of the virtual keyboard. You can trigger the corresponding SVP functions by clicking with the mouse.

Some function keys are labeled with the name of the function they are most frequently used for (e.g. **INDEX** instead of **PF2**).

Function key **PF20** (stop function) has no function in order to provide protection against it being pressed inadvertently and is therefore not offered on the virtual keyboard.

The [table 1 on page 20](#) shows the function keys and their functions which are applicable for most frames. Any different function allocations of function keys are described in the frames concerned. As an alternative, SVP functions can be called and entries made in the frames using your keyboard.



Some of the function keys listed here only have a function in CE mode (CE=Customer Engineer, maintenance mode) and are used solely by Customer Support personnel. Customer Support can enable and disable CE mode on the server using a sliding switch on the inside of the maintenance panel or on the MU using a CLI command.

PF..	Function key of the virtual keyboard	Alternative entry on the keyboard	Name	Function
PF1	PF1	ESC F1	Help	Help functions
PF2	INDEX	ESC F2	Index	Only effective in CE mode: switches to the index frame.
PF3	RETURN	ESC F3	Return	Switches to the preceding frame.
PF4	PF4	ESC F4		Frame-specific function is performed.
PF5	PF5	ESC F5		Frame-specific function is performed.
PF6	Can/Erase	ESC F6	Cancel/ Erase Input	Command or input data is deleted.
PF7	Page up	ESC F7	Page up	The previous screen contents are displayed
PF8	Page down	ESC F8	Page down	The next screen contents are displayed
PF9	PF9	ESC F9		Frame-specific function is performed.
PF10	PF10	ESC F10		Frame-specific function is performed.
PF11	PF11	ESC SHIFT F1		Frame-specific function is performed.
PF12	PF12	ESC SHIFT F2		Frame-specific function is performed.
PF13	RECALL	ESC SHIFT F3	Recall	Previous SVP commands are displayed in the command line. They can then be executed again with changed operands
PF14	PF14	ESC SHIFT F4		Frame-specific function is performed.
PF15	PF15	ESC SHIFT F5		Frame-specific function is performed.

Table 1: Function keys for SVP functions (part 1 of 2)

PF..	Function key of the virtual keyboard	Alternative entry on the keyboard	Name	Function
PF16	PF16	ESC SHIFT F6	Change CPU	Selects the CPU for which the subsequent commands are to apply. This CPU is then connected logically with the SVP.
PF17	PF17	ESC SHIFT F7		not assigned
PF18	Step	ESC SHIFT F8	Step	Executes the next command if the server is in Single Cycle Instruction Mode
PF19	PF19	ESC SHIFT F9	ARMSS management	Changes the user rights of an existing ARMSS connection
PF20		ESC SHIFT F10	Stop	Only effective in CE mode: Stops the selected CPU
PF21	START	SHIFT F5	Start	Starts the selected CPU
PF22	PF22	SHIFT F6		not assigned
PF23	ModSel	SHIFT F7	Mode Select	<ul style="list-style-type: none"> – Switches to the MODE SELECTION FRAME – Erases WRITE-CONSOL message on the screen (e.g. SHUTDOWN COMPLETED) – Erases BEL display in screen line 25
PF24	ModChg	F7	ModeChange	Switches back and forth between FJ-PROGRAM FRAME and SVP FRAME (for Customer Support only if appropriate settings apply!)
	Cancel	F5	Cancel/Reset	Cancel input, release keyboard
	Clear	F6	Refresh/Clear	The last frame output is displayed again. All inputs of the current frame made to date are reset.

Table 1: Function keys for SVP functions (part 2 of 2)

4.3.2 Switching between SVP frames

A switch between the frames is only possible within a specified scheme or via an FR command. The possible switches between the frames are possible:

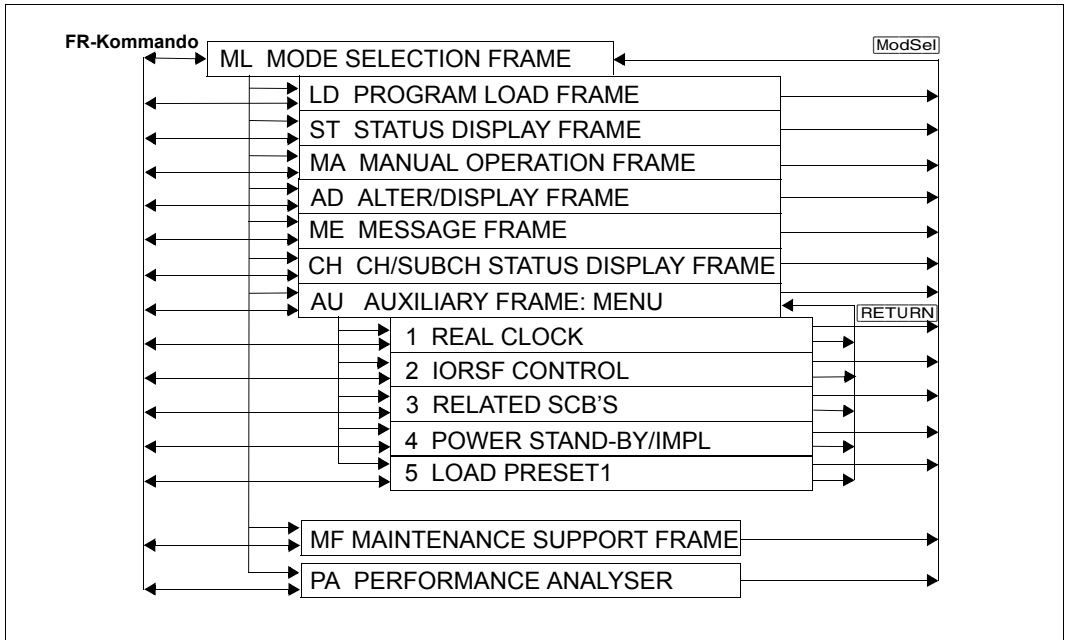
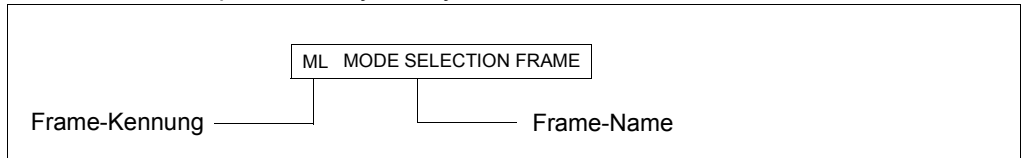


Figure 5: Switching between the frames

Explanation of the figure:

The frames are represented by this symbol:



Each frame has an ID consisting of two letters derived from the frame name. In the above example the MODE SELECTION FRAME is also shown with the ID ML.

Arrows and SVP functions show how and with which button you can switch to another frame.

4.3.3 Options for switching between frames

The following table shows the options for switching to another frame in the SVP window.

Button	Effect
[INDEX]	Only in CE mode: by clicking on this button you switch from any frame directly to the index frame. The selection of the desired frame can then be made by entering the frame ID in the index frame.
[RETURN]	This button switches back to the previous frame or to the higher-level frame.
[ModSel]	This button switches switches from any frame to the MODE SELECTION FRAME.
Frame selection	Enter a frame code in the MODE SELECTION FRAME (e.g. ST, AU, AU5)
Change to subframes	You can change to a subframe by selecting it from the main frame or from a subframe that has already been invoked. This can be done: <ul style="list-style-type: none"> – with SVP function calls (the buttons are shown in the corresponding frame or subframe) – by selecting a function with or without entering a parameter.
FR command	It is possible to switch to any frame with the FR command. The command is entered in the command line (screen line 24) of a frame. It has the following format: FR XX (XX is the code of the desired frame; see figure 5 on page 22)

4.4 SVP frames and subframes

The frames are used by the operator for sending jobs to the SVP and for receiving replies from the SVP.

Some frames have up to seven subframes. The subframes contain other, more detailed functions and information which does not fit in the main frame.

Several frames display settings stored by the SVP. The current setting is indicated by an ">" arrow before the corresponding menu item. An example of this is provided in [figure 6](#): STOP/START MODE applies only for the target CPU (selected CPU).



This manual only describes the frames required by the operator.

4.4.1 (ML) MODE SELECTION FRAME

```

----- MODE SELECTION FRAME -----      E90L01G
FUNCTION=>
- EXECUTION -                - SELECTION -                CPU SELECT=>
*1 CPU STOP                   *LD PROGRAM LOAD                - 0 1 2 3 4      -
*2 INTERRUPT                  *ST STATUS DISPLAY              -                -
*3 TOD ENABLE                 *MA MANUAL OPERATION            STOP/START MODE=>
*4 SYSTEM RESET              *AD ALTER/DISPLAY              *1 ALL CPU
*5 SYSTEM RESET CLEAR        *ME MESSAGE                     >2 TARGET CPU
*6 STORE STATUS              *CH CH/SUBCH STATUS
*7 RESTART                   *AU AUXILIARY
                              *MF MSF
                              *PA PERFORMANCE ANALYZER

                              CL-0      CPU-0 CHP-0      RUN

RA                               []-[]00

```

Figure 6: MODE SELECTION FRAME screen

By making entries in this frame and pressing the **ENTER** key, you can switch to other frames or execute various basic functions.

FUNCTION => The desired function can be selected by entry of a number listed in the EXECUTION column or a letter combination listed in the SELECTION column.

SELECTION=> After entering the appropriate letter combination you can switch to the following SVP FRAMES:

LD	PROGRAM LOAD	Load BS2000	page 27
ST	STATUS DISPLAY	Display status	page 34
MA	MANUAL OPERATION	Manual operations	page 35
AD	ALTER/DISPLAY	Alter/display storage/register	page 37
ME	MESSAGE	Display message	page 41
CH	CH/SUBCH STATUS	Display status of channel/subchannel	page 42
AU	AUXILIARY	Auxiliary controls	page 44
MF	MSF	Display FLAG codes	page 53
PA	PERFORMANCE ANALYZER	Performance analysis	page 54

EXECUTION The following function is executed after the corresponding number has been entered:



CAUTION!

The functions are executed according to the entries in the CPU SELECT and STOP/START MODE fields (see table on next page)!

1	CPU STOP	stops either the CPU selected in the CPU SELECT and STOP/START MODE fields or all CPUs
2	INTERRUPT	creates an external interrupt for the CPU selected in the fields CPU SELECT and STOP/START MODE
3	TOD ENABLE	time entry is enabled
4	SYSTEM RESET	all CPUs, channel processors, channels and controllers are reset
5	SYSTEM RESET CLEAR	as 4; in addition, the working memory is erased
6	STORE STATUS	selected CPU is stopped, the status is stored
7	RESTART	starts the system again (this function is only possible if the operating system has a restart facility)

CPU SELECT => A particular CPU can be selected here for the functions in the EXECUTION selection menu (see the previous page).
The CPUs available are displayed in the two lines below this.

0 ... F Selection of a particular CPU

STOP/START MODE => This can be used to indicate whether the functions in the EXECUTION selection menu are to be carried out for all CPUs or only for the CPU in the CPU SELECT field.

- 1** ALL CPU all CPUs are selected
- 2** TARGET CPU only the CPU selected in the CPU SELECT field is selected

The following table shows all the functions that can be meaningfully combined:

Function	CPU SELECT	STOP/START MODE	Effect on:
CPU STOP	-	1 All CPU	all CPUs
	0 ... F	2 TARGET CPU	selected CPU
INTERRUPT STORE STATUS RESTART	0 ... F	2 TARGET CPU	selected CPU
TOD ENABLE SYSTEM RESET SYSTEM RESET CLEAR	-	-	all CPUs

–: unusable

4.4.2 (LD) PROGRAM LOAD FRAME: BASIC

```

----- PROGRAM LOAD FRAME: BASIC ----- E90L01G
-LOAD FUNCTION-
==>
*1 START AUTO
*2 START FAST
*3 START DIAL
*4 START
*5 SYSTEM DUMP

*ENTER EXECUTE
*PF7 GO TO DETAIL-1
*FR AU5 GO TO PRESET(AU5 FRAME)

CL-0 CPU-0 CHP-0 RUN

RA []-[]00

```

Figure 7: PROGRAM LOAD FRAME: BASIC screen

An IPL is executed by entering a load function and pressing the **ENTER** key. The predefined parameters in (AU5) AUXILIARY FRAME: LOAD PRESET are used.

LOAD FUNCTION ==> The following function is selected after the corresponding number has been entered:

- | | | |
|----------|-------------|---------------------------------|
| 1 | START AUTO | executes IPL: automatic startup |
| 2 | START FAST | executes IPL: fast startup |
| 3 | START DIAL | executes IPL: dialog startup |
| 4 | START | not used |
| 5 | SYSTEM DUMP | executes SLED |

Frame-specific functions

[ENTER] Executes IPL / SYSTEM DUMP

After making your entries in the mask and pressing the **[ENTER]** key, the following prompt will appear:

```
*****
*
* ARE YOU SURE ? (ENTER Y OR N) N *
*
*****
```



CAUTION!

The IPL must not be executed during system operation! If this instruction is not heeded, BS2000 will be aborted!

- ▶ Press the **[Y]** and **[ENTER]** keys to execute the IPL, or **[N]** and **[ENTER]** to cancel the procedure.

[Page up] Swap to PROGRAM LOAD FRAME: DETAIL-1 (see below)

FR AU5 Enters the frame command in line 24:
 Swap to AUXILIARY FRAME: LOAD PRESET1 (see [page 50](#))

4.4.2.1 (LD) PROGRAM LOAD FRAME: DETAIL-1

```

----- PROGRAM LOAD FRAME: DETAIL-1 -----          E90L01G
-LOAD FUNCTION-          -IPL DEVICE-
==>                      ==> 2
*1 START AUTO            *1 PRESET GROUP -----+
*2 START FAST            >*2 CURRENT GROUP -----+
*3 START DIAL            *3 UNIT ADDRESS  +      +      +
*4 START                  A108      A108      A108
*5 SYSTEM DUMP          XXXX      XXXX
*6 LOAD CLEAR -----+  XXXX      XXXX
*7 LOAD NON CLEAR  +-+  XXXX      XXXX
|
|+MT CONTROL-          --- DETAIL-2 STATUS ---
PARMS=> 1              ==> 1
>*1 NL                  VM MODE : AVM/EX
*2 SL                   EXA MODE : ENABLE
*3 NL-REWIND            IPL EXEC : ENABLE
*4 SL-REWIND            *ENTER EXECUTE
                        *PF3 GO TO BASIC FRAME
                        *PF9 GO TO DETAIL-2

CL-0          CPU-0 CHP-0          RUN

RA                                                    []-[]00
    
```

Figure 8: PROGRAM LOAD FRAME: DETAIL-1 screen

By making entries in this frame and pressing the **[ENTER]** key you can control the execution of an IPL.

Before completing this frame, check whether the correct firmware for operating Native BS2000 or VM2000 has been loaded by the SVP. Information on this is provided in the DETAIL-2 STATUS field.

DETAIL-2 STATUS In this position the current settings of the PROGRAM LOAD FRAME: DETAIL-2 are displayed.

important display

VM MODE:	Loaded firmware
NATIVE	for BS2000 operation
AVM/EX	for VM2000

If the setting is not correct, click on **[PF9]** to correct the entry in PROGRAM LOAD FRAME: DETAIL-2. After you have made the correction and clicked on **[PF9]**, the setting is stored and you are returned to this frame (see [page 32](#)).

If the setting is correct, complete this frame and execute the IPL.

LOAD FUNCTION ==> The following function is selected after the corresponding number has been entered:

- | | | |
|----------|----------------|---------------------------------------|
| 1 | START AUTO | executes IPL: automatic startup |
| 2 | START FAST | executes IPL: fast startup |
| 3 | START DIAL | executes IPL: dialog startup |
| 4 | START | not used |
| 5 | SYSTEM DUMP | executes SLED |
| 6 | LOAD CLEAR | clears main memory before IPL |
| 7 | LOAD NON CLEAR | does not clear main memory before IPL |

Functions 6 or 7 must be used for an IPL from a real or emulated tape device. In addition, function 3 must be selected at MT CONTROL (see [page 31](#)).

IPL DEVICE ==> By entering the corresponding number in this field you can specify from which device group an IPL is to be executed.

- | | | |
|----------|----------------------|---|
| 1 | PRESET GROUP | The first device address in this column is the device from which an IPL is to be executed. The order and number were specified previously in (AU5) AUXILIARY FRAME: LOAD PRESET-1. If IPL is terminated normally, the device address list is transferred from the PRESET GROUP to the CURRENT GROUP.
If the IPL is unsuccessful, the next device address from the PRESET GROUP is reloaded. If this loading is terminated normally, this device address heads the CURRENT GROUP. |
| 2 | CURRENT GROUP | The first device address in this column is the device from which the last IPL was executed. If the loading from this device is unsuccessful, the IPL is repeated with the next device address. If it is terminated normally, this address then heads the CURRENT GROUP |
| 3 | UNIT ADDRESS | A new device address from which the operating system is to be loaded can be entered here. If the IPL is terminated normally, this device address is put in the first position in the CURRENT GROUP. If the IPL is unsuccessful, the loading is not repeated. |

PARMS ==> A maximum of 8 characters can be entered in this field. Their position and meaning are listed below:

- | | | |
|------------|-----------|---|
| Position 1 | _ | loading BS2000 |
| | 1 | loading VM2000 |
| Position 2 | mn | The mnemonic pair of an SKP console can be entered here if the standard consoles with the mnemonic pairs C2C3 and C4C5 are not available for the IPL. |
| - 5 | | |
| Position 6 | | not used |
| - 8 | | |

MT CONTROL ==> IPL from tape:

- | | | |
|----------|-----------|------------------------------|
| 1 | NL | from current tape position |
| 2 | SL | skip label then load |
| 3 | NL-REWIND | rewind then load |
| 4 | SL-REWIND | rewind, skip label then load |

Function 3 must be selected for an IPL of a real or emulated tape device.

Frame-specific functions

ENTER Executes IPL / SYSTEM DUMP

After making your entries in the mask and pressing the **ENTER** key, the following prompt will appear:

```
*****
*
* ARE YOU SURE ? (ENTER Y OR N) N *
*
*****
```

**CAUTION!**

The IPL must not be executed during system operation! If this instruction is not heeded, BS2000 will be aborted!

- ▶ Press the **Y** and **ENTER** keys to execute the IPL, or **N** and **ENTER** to cancel the procedure.

RETURN Swap to PROGRAM LOAD FRAME: BASIC (see [page 27](#))

PF9 Swap to PROGRAM LOAD FRAME: DETAIL-2 (see next page).

4.4.2.2 (LD) PROGRAM LOAD FRAME: DETAIL-2

```

----- PROGRAM LOAD FRAME: DETAIL-2 ----- E90L01G

-VM MODE-                               -IPL EXECUTION-
==> 2                                   ==> 1
 *1 NATIVE                               >*1 ENABLE
 >*2 AVM/EX                              *2 DISABLE

                                           *ENTER EXECUTE
                                           *PF3 GO TO BASIC FRAME
                                           *PF9 GO TO DETAIL-1

CL-0 CPU-0 CHP-0 RUN

RA [ ]-[ ]00

```

Figure 9: PROGRAM LOAD FRAME: DETAIL-2 screen

By making an entry in this frame and pressing the **ENTER** key, you set the operating mode.

VM MODE ==> Selection of the firmware to be loaded from SVP

- | | | |
|---|--------|----------------------|
| 1 | NATIVE | for BS2000 operation |
| 2 | AVM/EX | for VM2000 |

IPL EXECUTION ==> IPL execution

- | | | |
|---|---------|----------------------|
| 1 | ENABLE | executes IPL |
| 2 | DISABLE | does not execute IPL |

If there are changes to the VM MODE and IPL EXECUTION => 2, only the other firmware is loaded and no IPL is executed.

Frame-specific functions

ENTER Sets operating mode.

- ▶ After selecting the firmware to be loaded in the VM MODE ==> field and entering 2 in the IPL EXECUTION ==> field, press the **ENTER** key.

The following prompt appears on the screen:

```
*****
*
* ARE YOU SURE ? (ENTER Y OR N) N *
*
*****
```

**CAUTION!**

The operating mode must not be reset during system operation!
If this instruction is not heeded, BS2000 will be aborted!

- ▶ Press the **Y** key to reload the firmware, or the **N** key to cancel the procedure. Confirm your entry with the **ENTER** key.
- ▶ After reloading the firmware, click on the **PF9** key to carry out IPL in PROGRAM LOAD FRAME: DETAIL-1.

RETURN Swap to PROGRAM LOAD FRAME: BASIC (see [page 27](#))

PF9 Swap to PROGRAM LOAD FRAME: DETAIL-1 (see [page 28](#)) without saving the changes you have made.

4.4.3 (ST) STATUS DISPLAY FRAME

```

----- STATUS DISPLAY FRAME -----
                                         E90L01G-03C+004

CPU-0 (#0) ONL RUN      IOP-0 ONL      SVP      CHEB-0
CPU-1 (#1) ONL RUN      IOP-1 ONL      POWER     CHEB-1
CPU-2 (#2) ONL RUN
CPU-3 (#3) ONL RUN
CPU-4 (#4) ONL RUN      MSU-0 ONL      CHEB-4
                          MSU-1 ONL

                                SYSTEM INFORMATION
                                MEMORY  8GB
                                MODE    AVM/EX
                                SVPM    ENABLE      AROMA ENABLE

                                CL-0      CPU-0 IOP-0      RUN

                                                CE      TEST

```

Figure 10: STATUS DISPLAY FRAME screen

This frame informs you about the current status of the server and its individual components (power on/off, online/offline, normal/maintenance state, etc.). Components which are not installed are not displayed. At most the following components are possible:

- CPU: CPU-0 through CPU-F
- I/O processor: IOP-0 through IOP-3
- Main Storage Unit: MSU-0 through MSU-3
- Channel box: CHEB-0 through CHEB-F

The important displays are the memory size, the addressing mode (MODE EXA or AVM/EX) and the availability of the SKP functionality (SVPM ENABLE display).

4.4.4 (MA) MANUAL OPERATION FRAME

```

----- MANUAL OPERATION FRAME -----
FUNCTION=> |                                     E90L01G-03C+004
                                     ADDRESS COMPARE STOP
                                     ADRS TYPE=>
*1 RATE CONTROL          RATE CONTROL=>      *1 ABSOLUTE
                                     *2 LOGICAL
*2 ADRS COMPARE STOP      *1 PROCESS
                                     *2 I-STEP
*3 FIRM DUMP
                                     ADRS COMP SELECT=>
*4 HSA DUMP              *1 ANY
                                     *2 OPERAND FETCH (OFETCH)
*5 EXECUTE              *3 OPERAND STORE (OSTORE)
                                     *4 INSTRUCTION ADRS (IA)
                                     *5 IA & OFETCH
                                     *6 OFETCH & OSTORE
                                     ADRS SET=> XXXX
                                     => XXXXXXXX
                                     ADRS COMP MODE=>
                                     *1 RESET
                                     *2 SET
                                     *3 NORMAL
CL-0      CPU-0 IOP-0      RUN
E2M31 CPU NOT IN STOPPED STATE                                     CE      TEST
    
```

Figure 11: MANUAL OPERATION FRAME screen

By making an entry in this frame and pressing the **ENTER** key, you can perform various manual operations.

Instructions on this frame are only executed when the CPU has been stopped (see message in frame line 23). The CPU status is displayed in line 22.

- ▶ Selection of a CPU by clicking on **PF16**
- ▶ Stopping of the selected CPU (see (ML) MODE SELECTION FRAME [page 24](#))

FUNCTION => The following function is executed after the corresponding character has been entered and the **ENTER** key has been pressed:

- | | | |
|---|-------------------|---|
| 1 | RATE CONTROL | defines program operation |
| 2 | ADRS COMPARE STOP | sets mode for compare address stop |
| 3 | 3 FIRM DUMP | outputs a firmware dump to tape, MTC or an emulated tape device (for Customer Support only) |
| 4 | HSA DUMP | executes HSA dump (for Customer Support only) (HSA Hardware/Software Area) |
| X | EXECUTE | executes functions 1 - 4 |

The following table shows the additional entries required for each of the three main functions in other input fields:

Function	Input field					
	RATE CONTROL	UNIT ADRS	ADRS TYPE	ADRS COMP SELECT	ADRS SET	ADRS COMP MODE
1 RATE CONTROL	o	x	x	x	x	x
2 ADRS COMP STOP	x	x	o	o	o	o
3 FIRM DUMP	x	o	x	x	x	x
4 HSA DUMP	x	x	x	x	x	x

o: entry required

x: entry not possible

RATE CONTROL => defines program operation

- 1 PROCESS continual program operation
- 2 I-STEP step-by-step command execution

ADRS TYPE => Entries for address compare stop:

- 1 ABSOLUTE entry under ADRS SET is absolute address
- 2 LOGICAL a logical address

ADRS COMP SELECT => Address compare stop if compare stop address is same as

- 1 ANY any address
- 2 OPERAND FETCH (OFETCH) operand read address
- 3 OPERAND STORE (OSTORE) operands write address
- 4 INSTRUCTION ADRS(IA) instruction address
- 5 IA & OFETCH instruction and operand read address
- 6 OFETCH & OSTORE operand read and write address

UNIT ADRS => Device address for output of a firmware dump

ADRS SET => Compare stop address

XXXX	address space larger than 32 bits
XXXXXXXX	32-bit address

ADRS COMP MODE => Address compare stop mode

1	RESET	Switches off address compare stop and resets address compare stop conditions in the fields ADRS TYPE, ADRS COMP SELECT and ADRS SET
2	SET	Switches on address compare stop
3	NORMAL	Switches off address compare stop

4.4.5 (AD) ALTER/DISPLAY FRAME

```

----- ALTER/DISPLAY FRAME -----          E90L01G
FUNCTION =>
*A ALTER
*D DISPLAY
FACILITY =>
-- MEMORY --
*L LOGICAL
*R REAL
*P P-VIRTUAL
*S S-VIRTUAL
*ABS *KEY
*V A-VIRTUAL
*I H-VIRTUAL

ADRS=>
=>

                                         *PF9 CHANGE
                                         FACILITY

CL-0      CPU-0 IOP-0      RUN
E2B31 CPU-00 NOT IN STOPPED STATE      CE      TEST

```

Figure 12: ALTER/DISPLAY FRAME screen

By making an entry in this frame and pressing the **ENTER** key, you can use this frame to display and change the contents of the main memory and the memory protect key.

Instructions on this frame are only executed when the CPU has been stopped (see message in frame line 23). The CPU status is displayed in line 22.

- ▶ Selection of a CPU by clicking on **PF16**
- ▶ Stopping of the selected CPU (see (ML) MODE SELECTION FRAME [page 24](#))

FUNCTION => The following function is selected after the corresponding letter has been entered:

A	ALTER	change and modify memory contents
D	DISPLAY	display memory contents

FACILITY => Possible displays of memory areas with various addresses:

L	LOGICAL	logical storage address
R	REAL	real storage address
P	P-VIRTUAL	primary virtual storage address
S	S-VIRTUAL	secondary virtual storage address
ABS		absolute address
KEY		memory protect key
V	A-VIRTUAL	address space virtual address
I	H-VIRTUAL	basic address space virtual address

ADRS => Memory address

XXXX	address space larger than 32 bits
XXXXXXXX	32-bit address

Frame-specific functions

[PF9] When you click on this button, the following subframe is displayed:

```

----- ALTER/DISPLAY FRAME ----- E90L01G
FUNCTION => █
  *A ALTER
  *D DISPLAY
FACILITY =>
-- REGISTER --
 *GR   *PSW
 *CR   *FCR
 *FPR  *PRX
 *AR   *HR
 *ECR  *AMR
 *XCR
 *EX  EPRX
 *FPC

ADRS=>
  =>

                                           *PF9 CHANGE
                                           FACILITY

CL-0      CPU-0 IOP-0      RUN

CE      TEST

```

Figure 13: ALTER/DISPLAY FRAME screen

By making the appropriate entries and pressing the **[ENTER]** key, you can use this frame to change and display the contents of important CPU registers.

Instructions on this frame are only executed when the CPU has been stopped (see message in frame line 23). The CPU status is displayed in line 22.

- ▶ Selection of a CPU by clicking on **[PF16]**
- ▶ Stopping of the selected CPU (see (ML) MODE SELECTION FRAME [page 24](#))

FUNCTION => The following function is selected after the corresponding letter has been entered:

- | | | |
|----------|---------|-------------------------------------|
| A | ALTER | change and modify register contents |
| D | DISPLAY | display register contents |

FACILITY =>	Possible displays of registers:
GR	General register
PSW	Program status word
CR	Control register
FCR	Feature control register
FPR	Floating-point register
PRX	Prefix register
AR	Access register
HR	Hyper register
ECR	Extended control register
AMR	Address modulation register
XCR	Extended control register
EX EPRX	Extended prefix register
	Additional display, if IEEE Arithmetic Operation Mechanism is activated:
FPC	Floating point control register

ADRS => no input required

Frame-specific functions

PF9 returns to the frame for memory display

4.4.6 (ME) MESSAGE FRAME

```

----- MESSAGE FRAME -----
NEWEST LINE = 0776
LINE ID MESSAGE MM/DD HH:MM:SS
0759 01 X2LA9 FUNCTION: ST 03/25 14:47:23
0760 01 X2SA9 SSUO 03/25 14:48:56
0761 01 E2SA1 COMMAND NOT FOUND 03/25 14:48:56
0762 01 X2SA9 PF 8 03/25 14:49:14
0763 01 X2SA9 PF 3 03/25 14:50:30
0764 01 X2LA9 FUNCTION: MA 03/25 14:50:35
0765 01 E2M31 CPU NOT IN STOPPED STATE 03/25 14:50:35
0766 01 X2MA9 PF 2 03/25 14:51:47
0767 01 E2MA2 UNSUPPORTED PF KEY 03/25 14:51:47
0768 01 X2MA9 PF 3 03/25 14:51:56
0769 01 X2LA9 FUNCTION: AD 03/25 14:52:10
0770 01 E2B31 CPU=0 NOT IN STOPPED STATE 03/25 14:52:11
0771 01 X2BA9 PF 9 03/25 14:53:48
0772 01 X2B00 COMMAND COMPLETED 03/25 14:53:48
0773 01 X2BA9 PF 2 03/25 14:54:49
0774 01 E2BA2 UNSUPPORTED PF KEY 03/25 14:54:49
0775 01 X2BA9 PF 3 03/25 14:55:15
0776 01 X2LA9 FUNCTION: ME 03/25 14:55:20
          CL=0 CPU=0 CHP=0 RUN
RA []-[]00

```

Figure 14: MESSAGE FRAME screen

All SVP messages and commands to the SVP are stored in a message file. They can be viewed in the MESSAGE FRAME.

Frame-specific functions

- Page down** one page forwards, in the direction of the newer entries
- Page up** one page backwards, in the direction of the older entries
- PF11** one page to the right for the display of long messages
- PF10** one page to the left

Entering a line command in line 24 permits you to display a certain entry in the uppermost line.

Example: L 0700

4.4.7 (CH) CH/SUBCH STATUS DISPLAY FRAME: CHANNEL

```

----- CH/SUBCH STATUS DISPLAY FRAME: CHANNEL -----      E90L01G
IOP-0
  PCHAD 0000000000000000 0000000000000000 0000000000000000 0000000000000000
        0000000000000000 1111111111111111 2222222222222222 3333333333333333
        0123456789ABCDEF 0123456789ABCDEF 0123456789ABCDEF 0123456789ABCDEF

  CHPID 0000000000000000 0000000000000000 0000000000000000 0000000000000000
        0000000000000000 1111111111111111 2222222222222222 3333333333333333
        0123456789ABCDEF 0123456789ABCDEF 0123456789ABCDEF 0123456789ABCDEF

  INSTALLED *.*****.**** *.....**.....
  OP        ..*****.**** ..*****.****
  ON-LINE   *.*****.**** *.....**.....
  CH-TYPE   F FFFFFFFF FFFF C      FF
           C CCCCCCCC CCCC N      CC
           N PPPPPPPP PPPP C      PP

  FUNCTION => █
    1 CH STATUS      IOP NO.=>          4 FC PORT STATUS
    2 SUBCH STATUS  CHPID =>          LCHADR=>          5 ONA PORT STATUS
                   LINKADR=>         LCUADR=>          *PF10 PREV
    3 LINK STATUS   PCHAD =>          *PF11 NEXT
                   CL-0          CPU-0 IOP-0          RUN
                                           CE      TEST

```

Figure 15: CH/SUBCH STATUS DISPLAY FRAME: CHANNEL screen

By making entries in the input fields and pressing the **[ENTER]** key, you display the status of the

I/O system. Further subframes are supplied in conjunction with FUNCTION 2 to 5.

FUNCTION => The following information is displayed on the screen after the corresponding number has been entered:

- | | | |
|---|-----------------|--|
| 1 | CH STATUS | channel status
(additional input in CHP NO field) |
| 2 | SUBCH STATUS | subchannel status
(additional input in the fields CHPID and LINKADR) |
| 3 | LINK STATUS | LINK status of a type-S channel
(type-S channel not supported on SU /390) |
| 4 | FC PORT STATUS | Port status of a type-FC channel
(additional input in PCHAD field) |
| 5 | ONA PORT STATUS | Port status of an ONA channel (Optical Network Adapter, not supported by BS2000) |

IOP NO => 0 ... 7	channel processor
CHPID => 000 ... 0FF	channel path number
LCHADR =>	logical channel address no input required
LINKADR =>	link address for type-S channel (not supported on SU /390)
LCUADR =>	logical control unit address no input required
PCHAD => 000 ... 0FF	physical channel address

Frame-specific functions

- PF10** Display of channels with lower addresses.
- PF11** Display of channels with higher addresses.

4.4.8 (AU) AUXILIARY FRAME: MENU

```

----- AUXILIARY FRAME: MENU -----                                E90L01G

SELECTION=> █

*1 REAL CLOCK
*2 IORSF CONTROL
*3 RELATED SCB
*4 POWER STAND-BY/IMPL
*5 LOAD PRESET

CL-0      CPU-0 IOP-0      RUN

CE      TEST

```

Figure 16: AUXILIARY FRAME: MENU screen

You can move to other frames by making entries in this menu frame and pressing the **ENTER** key.

SELECTION => The following subframes are displayed on the screen by entering the appropriate number:

- | | | | |
|----------|---------------------|----------------------------------|-------------------------|
| 1 | REAL CLOCK | displaying/setting SVP clock | page 45 |
| 2 | ORSF CONTROL | displaying/editing ORSF | page 46 |
| 3 | RELATED SCB | memory size for related SCBs | page 48 |
| 4 | POWER STAND-BY/IMPL | executing POWER STAND-BY or IMPL | page 49 |
| 5 | LOAD PRESET | presetting LOAD FRAME | page 50 |

4.4.8.1 (AU1) AUXILIARY FRAME: REAL CLOCK

```

----- AUXILIARY FRAME: REAL CLOCK ----- E90L01G-03C+030

          YYYY MM DD      HH MM SS
          2015.01.25      15:26:47
          -

                                     *PF6  CANCEL
                                     *PF12 TIMER SET

          CL-0      CPU-0 CHP-0      RUN

RA                                     []-[]00

```

Figure 17: AUXILIARY FRAME: REAL CLOCK screen

When the screen is invoked, the current date and time of the SVP are displayed. Corrections can be entered in the line below. These corrections take effect when you click on **PF12**.



The SVP clock is synchronized by the MU (message in line 23: SET TIME COMMAND COMPLETED). The MU time is taken over by the SVP here.

Consequently an incorrect time specification in the MU must be corrected in the SVP.

The administrator can set the local time in the MU in the SE Manager using the *System time* tab in the menu *Hardware* → *Server (SE<model>)* → *<mu-name> (MU)* → *Management* (see the "Operation and Administration" manual [7]).

Frame-specific functions

Can/Erase

Delete input

PF12

Corrections are carried out by the SVP

4.4.8.2 (AU2) AUXILIARY FRAME: IORSF CONTROL

```

----- AUXILIARY FRAME: IORSF CONTROL -----          E90L01G

NO.   COMMENT
0     SU700001SU700-29001 / DISK DET. DX600-AENDERUNG / 13.11.14
      DATE 2014.11.13      TIME 09:07      TYPE-1
1     SU700001SU700-29001 / ERW. DX440-S2-1 AUF 256 DVC / 04.08.14
      DATE 2014.10.21      TIME 15:41      TYPE-1
2     SU700001SU700-29001 / ALLE PLATTEN ATTACHED / 05.11.14
      DATE 2014.11.05      TIME 13:42      TYPE-1
3     SU700001SU700-29001 / ERW. DVC F6E0 BIS F6EF / 21.10.14
      DATE 2014.10.21      TIME 13:33      TYPE-1

FUNCTION=>
*1 SET NO          NEXT POWER ON RESET NO. => 0          CURRENT NO. = 0
*2 PROTECT        SPECIFY P(PROTECT) OR U(UNPROTECT)
*3 SWAP           SPECIFY SWAP NO.          <=>
*4 SAVE           SAVE NO. OR A(ALL)       =>          *PFS NEXT PAGE
*5 RESTORE        RESTORE NO.              =>
                  CL-0          CPU-0 IOP-0      RUN
                                                    CE    TEST

```

Figure 18: AUXILIARY FRAME: IORSF CONTROL screen

The IORSF files are displayed in this frame. The file number of the current IORSF is displayed in the `CURRENT NO. =` field.

When you select a function and press the `[ENTER]` key, parameters are requested in the other input fields. Once you have entered the parameters and pressed the `[ENTER]` key, the functions for the IORSF files are executed.

FUNCTION => The following function is selected after the corresponding number has been entered:

- | | | |
|---|---------|--|
| 1 | SET NO | selects an IORSF. Entry of the set number in the NEXT POWER ON RESET NO. => field.
For activation, an IMPL is required (see AU4 frame on page 49). |
| 2 | PROTECT | engages/disengages IORSF protection from being overwritten:
After selecting function 2, enter P (Protect) or U (Unprotect) before the appropriate number |
| 3 | SWAP | swaps two IORSFs: enter the numbers in the SPECIFY SWAP NO. ...<=>... fields. |

- | | | |
|----------|----------------|--|
| 4 | SAVE | saves one or all IORSFs: enter the number or the value A (All) in the field
SAVE NO. OR A(ALL) ==> <input type="text"/> |
| 5 | RESTORE | restores an IORSF: enter the numbers in the field
RESTORE NO. ==> <input type="text"/> |

NEXT POWER ON RESET NO. => Enter the number of the IORSF file which is to be activated after the next IMPL. You can only make an entry if you select function 1 beforehand.

SPECIFY SWAP NO. <=> Enter the numbers of two IORSF files which are to be swapped. You can only make entries if you select function 3 beforehand.

SAVE NO. OR A(ALL) ==> Specify the number of the IORSF file which is to be saved. Specifying "A" saves all IORSF files. You can only make entries if you select function 4 beforehand.

RESTORE NO. ==> Specify the number of the IORSF file which is to be restored. You can only make entries if you select function 5 beforehand.

Frame-specific functions

- | | |
|--|-----------------------------|
| <input type="button" value="Page down"/> | Sets 4 to 7 are displayed |
| <input type="button" value="Page up"/> | Sets 0 to 3 are displayed |
| <input type="button" value="PF8"/> | The next page is displayed. |

4.4.8.3 (AU3) AUXILIARY FRAME: RELATED SCB'S

```
----- AUXILIARY FRAME: RELATED SCB'S ----- E90L01G  
  
NUMBER OF RELATED SCB'S => 32 K  
  
*PF6 CANCEL  
*PF12 CATALOG  
  
CL-0 CPU-0 IOP-0 RUN  
  
CE TEST
```

Figure 19: AUXILIARY FRAME: RELATED SCB'S screen



Changes in this frame are reserved for the Customer Support.

4.4.8.4 (AU4) AUXILIARY FRAME: POWER STAND-BY/IMPL

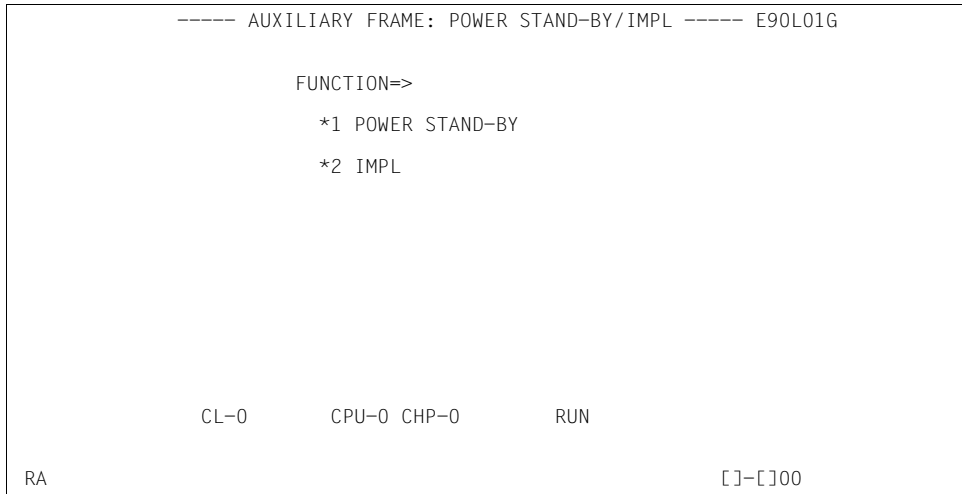


Figure 20: AUXILIARY FRAME: POWER STAND-BY/IMPL screen

By making an entry in this frame and pressing the **[ENTER]** key, you can switch the server off or re-initialize it.

FUNCTION => The following function is selected after the corresponding number has been entered:

- 1 POWER STAND-BY switches the Server Unit off; order: first devices connected to the PCI (Power Control Interface), then the servers (for further information on this see "Switching the SE700 / SE500 on and off" in the Basic Operating Manual [1])
- 2 IMPL executes IMPL

After you have selected a function and pressed the **[ENTER]** key, the following prompt will appear:

```
*****
*
* ARE YOU SURE ? (ENTER Y OR N) N *
*
*****
```



CAUTION!

POWER STAND-BY or IMPL may not be executed during system operation! If this instruction is not heeded, BS2000 will be aborted!

- ▶ Press the **[Y]** and **[ENTER]** keys to switch off the system or to execute an IMPL, or the **[N]** and **[ENTER]** keys to cancel the procedure.

4.4.8.5 (AU5) AUXILIARY FRAME: LOAD PRESET1

```

----- AUXILIARY FRAME: LOAD PRESET1 -----      E90L01G
-START MODE-
==> 1
>1 START AUTO
*2 START FAST
*3 START DIAL
*4 START

-IPL DEVICE-
1 PRESET GROUP -----+
2 CURRENT GROUP -----+ |
3 UNIT ADDRESS --+   +   +
                   A108  A108  A108
                   XXXX  XXXX  XXXX
                   XXXX  XXXX  XXXX
                   XXXX  XXXX  XXXX

-POWER ON IPL-
==> 2
*1 ENABLE
*2 DISABLE

-INITIAL FRAME-
==> 2
*1 LOAD FRAME(BASIC)
*2 LOAD FRAME(DETAIL)
*PF12 CATALOG
*PF9 GO TO LOAD PRESET-2

CL-0 CPU-0 CHP-0 RUN

RA []-[]00

```

Figure 21: AUXILIARY FRAME: LOAD PRESET1 screen

You can predefine the execution of an IPL by making an entry in this frame and clicking on **PF12**.

START MODE ==> Predefine the loading mode by entering the appropriate number and comment for the BS2000 loading mode:

- | | | |
|----------|-------------------|-----------------------|
| 1 | START AUTO | for automatic startup |
| 2 | START FAST | for fast startup |
| 3 | START DIAL | for dialog startup |
| 4 | START | not used |

IPL DEVICE Entries in this field specify from which device an IPL should be executed.

- | | | |
|----------|---------------------|---|
| 1 | PRESET GROUP | Up to four unit addresses can be entered in the input field for PRESET GROUP. The operating system is loaded from the first device (IPL). In the case of an error, the IPL is executed by the next device listed. |
|----------|---------------------|---|

POWER ON IPL ==> Here you determine the behavior of the SVP after switching on.

- | | | |
|---|---------|---|
| 1 | ENABLE | automatically executes IPL after IMPL |
| 2 | DISABLE | does not execute IPL, i.e. IPL must be triggered manually using PROGRAM LOAD FRAME: BASIC or PROGRAM LOAD FRAME: DETAIL-1 |

INITIAL FRAME ==> Here you can set the display form of the PROGRAM LOAD FRAME.

- | | | |
|---|---------------------|---|
| 1 | LOAD FRAME (BASIC) | PROGRAM LOAD FRAME: BASIC (see page 27) |
| 2 | LOAD FRAME (DETAIL) | PROGRAM LOAD FRAME: DETAIL-1 (see page 28) |

*Frame-specific functions***PF12** Storing settings**PF9** switches to the LOAD PRESET2 screen

```

----- AUXILIARY FRAME: LOAD PRESET2 ----- E90L01G

-VM MODE-
==> 2
*1 NATIVE
>2 AVM/EX

-START IPL NO-
==> 1
>1 FIX(1)
*2 CURRENT

*PF12 CATALOG
*PF9 GO TO LOAD PRESET-1

CL-0 CPU-0 CHP-0 RUN
0

RA [ ]-[ ]00

```

Figure 22: AUXILIARY FRAME: LOAD PRESET2 screen

You can set the operation mode by making an entry in this frame and clicking on **PF12**.

VM MODE ==> Selection of the firmware to be loaded from SVP

- | | | |
|----------|--------|----------------------|
| 1 | NATIVE | for BS2000 operation |
| 2 | AVM/EX | for VM2000 |

START IPL NO ==> Selection of the IPL Start Mode number

- | | | |
|----------|---------|---------------------------------------|
| 1 | FIX(1) | Start Mode number 1 (automatic start) |
| 2 | CURRENT | not used on the Server Unit |

*Frame-specific functions***PF12** Storing settings**PF9** switches to the LOAD PRESET1 screen

4.4.9 (MF) MSF FRAME

```

----- MSF FRAME: FLAG CODE LOG DISPLAY -----          E90L01G

INITIALIZED 2010.03.11 15:43:23
LAST SEQ 0538                                         NODE:SELF
                                                    1/14

  SEQ  UNIT      FLAG CODE      DATE  TIME  CT  KIND  LINK INFORMATION
*0538  ICC      A9 7M12 3C 006D2H00 03.16 16:50:42  ATTN  HC27 SP4
        AW 026D 0C 006D0H00
*0537  ICC      A9 7M12 3C 00692H00 03.16 16:50:34  ATTN  HC26 SP3
        AW 0269 0C 00690H00
*0536  ICC      A9 7M12 3C 002D2H00 03.16 16:50:28  ATTN  HC25 SP2
        AW 022D 0C 002D0H00
*0535  ICC      A9 7MC4 3C 00642H00 03.16 16:50:18  ATTN  HC24 SP1
        AW XX64 0C 00640H00
*0534  ICC      A9 7MC1 3C 00642H00 03.16 16:50:12  ATTN  HC23
        AW XX64 0C 00640H00
*0533  ICC      A9 7M12 3C 00292H00 03.16 16:42:39  ATTN  HC22
        AW 0229 0C 00290H00
*0532  ICC      A9 7M12 3C 006D2H00 03.16 16:42:33  ATTN  HC21
        AW 026D 0C 006D0H00

                                PF1:HELP  PF7:PREV PAGE  PF8:NEXT PAGE
                                CL-0      CPU-0  CHP-0      RUN

                                FLAG CODE = A97M123C 006D2H00
                                []-[]00

RA

```

Figure 23: MSF FRAME: FLAG CODE LOG DISPLAY screen

The SVP logs all FLAG codes. The FLAG codes are displayed when this frame is invoked. As from a certain priority, the FLAG codes are displayed in frame line 24.

Frame-specific functions

- PF1** help function
- Page up** one page backwards, in the direction of the newer entries
- Page down** one page forwards, in the direction of the older entries



This frame is intended for use by Customer Support. You only reach FLAG CODE LOG DISPLAY via a subframe (call FR MF with Function -> L1) and then <L1>.

4.4.10 (PA) PERFORMANCE ANALYZER FRAME

```

----- PERFORMANCE ANALYZER FRAME ----- E90L01G

FUNCTION ==>
1 ENABLE & ITEM SELECT          STATUS DISABLE / STOP
2 DISABLE                       LOGGING STOP
3 START & DISPLAY                ----- CH BUSY LEVEL -----
4 START & CH BUSY                0 < GREEN < 30 (%)
5 STOP                           31 < WHITE < 100 (%)
6 LOGGING START                  ----- INTERVAL TIME -----
7 LOGGING STOP                   SAMPLING ==> 2 SEC.
8 CPU LOG DISPLAY                LOGGING  ==> 1 MIN.
9 CH LOG DISPLAY

                                CL-0      CPU-0 CHP-0      RUN

RA                                []-[]00

```

Figure 24: PERFORMANCE ANALYZER FRAME screen



The PA frame is not intended for use.

4.5 Examples of SVP operation

4.5.1 Selecting IORSF

The steps described below are required to load a specific IORSF the next time IMPL takes place or the next time the system is switched on.

IORSF with Level 2 is selected in the example below.

Requirement

You are logged in to the SE Manager and have opened the SVP console.



An operator account has access to the SVP console when the individual right permits SVP access.

The MODE SELECTION FRAME is displayed on the screen:

```

----- MODE SELECTION FRAME -----      E90L01G
FUNCTION=>
- EXECUTION -                - SELECTION -                CPU SELECT=>
- 0 1 2 3 4                -                -
*1 CPU STOP                  *LD PROGRAM LOAD                -
*2 INTERRUPT                 *ST STATUS DISPLAY              -
*3 TOD ENABLE                *MA MANUAL OPERATION            -
*4 SYSTEM RESET              *AD ALTER/DISPLAY              -
*5 SYSTEM RESET CLEAR        *ME MESSAGE                     STOP/START MODE=>
*6 STORE STATUS              *CH CH/SUBCH STATUS            *1 ALL CPU
*7 RESTART                   *AU AUXILIARY                  >2 TARGET CPU
                               *MF MSF
                               *PA PERFORMANCE ANALYZER

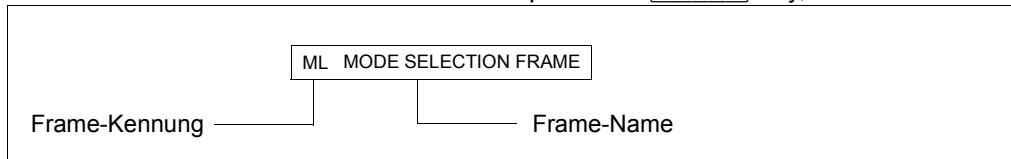
                               CL-0      CPU-0 CHP-0      RUN

RA                               []-[]00
    
```

Figure 25: MODE SELECTION FRAME screen

Invoke the *AUXILIARY FRAME: MENU* screen

- ▶ Enter AU in the FUNCTION=> field and then press the **ENTER** key,



or

- ▶ enter the FR AU command in line 24 and press the **ENTER** key.

The *AUXILIARY FRAME: MENU* screen is displayed:

```

----- AUXILIARY FRAME: MENU -----                                E90L01G

SELECTION=> █

*1 REAL CLOCK
*2 IORSF CONTROL
*3 RELATED SCB
*4 POWER STAND-BY/IMPL
*5 LOAD PRESET
*6 POWER SCHEDULE

CL-0      CPU-0 IOP-0      RUN      CE      TEST

```

Figure 26: *AUXILIARY FRAME: MENU* screen

Invoking IORSF Control Frame

- ▶ Enter 2 in the SELECTION=> field. Press the **ENTER** key.



If the frame code AU2 is entered in the MODE SELECTION FRAME or the FR AU2 command is entered in line 24, the following frame is displayed immediately.

The AUXILIARY FRAME: IORSF CONTROL screen is displayed:

```

----- AUXILIARY FRAME: IORSF CONTROL -----          E90L01G

NO.      COMMENT
0       SU700001SU700-29001 / DISK DET. DX600-AENDERUNG / 13.11.14
        DATE 2014.11.13      TIME 09:07      TYPE-1
1       SU700001SU700-29001 / ERW. DX440-S2-1 AUF 256 DVC / 04.08.14
        DATE 2014.10.21      TIME 15:41      TYPE-1
2       SU700001SU700-29001 / ALLE PLATTEN ATTACHED / 05.11.14
        DATE 2014.11.05      TIME 13:42      TYPE-1
3       SU700001SU700-29001 / ERW. DVC F6E0 BIS F6EF / 21.10.14
        DATE 2014.10.21      TIME 13:33      TYPE-1

FUNCTION=>
*1 SET NO      NEXT POWER ON RESET NO. => 0      CURRENT NO. = 0
*2 PROTECT     SPECIFY P(PROTECT) OR U(UNPROTECT)
*3 SWAP        SPECIFY SWAP NO.      <=>
*4 SAVE        SAVE NO. OR A(ALL)     =>      *PFG NEXT PAGE
*5 RESTORE     RESTORE NO.            =>
              CL-0      CPU-0 IOP-0      RUN
                                          CE      TEST
    
```

Figure 27: AUXILIARY FRAME: IORSF CONTROL screen

The first four IORSF are displayed in the upper portion of the screen. You can scroll to the next four IORSFs with the **Page down** key, and back with the **Page up** key.

In this example the IORSF with the number 0 is active.

Display: CURRENT NO. = 0

Now you want to activate the IORSF with the number 2:

- ▶ Enter 1 in the FUNCTION=> field. Press the **ENTER** key.
- ▶ For our example enter 2 in the NEXT POWER ON RESET NO field and press the **ENTER** key.

4.5.2 Activating IORSF

The set IORSF must be activated with an IMPL:

Requirement

You are in the AUXILIARY FRAME: IORSF CONTROL.

- ▶ Click on **RETURN** to switch back to the AUXILIARY FRAME: MENU.
- ▶ Enter 4 in the SELECTION=> field. Press the **ENTER** key.

The AUXILIARY FRAME: POWER STAND-BY/IMPL screen is displayed:

```

----- AUXILIARY FRAME: POWER STAND-BY/IMPL ----- E90L01G
          FUNCTION=>  2
          *1 POWER STAND-BY
          *2 IMPL

          CL-0      CPU-0  CHP-0      RUN

RA                                             []-[]00

```

Figure 28: AUXILIARY FRAME: POWER STAND-BY/IMPL screen

- ▶ Enter 2 in the FUNCTION=> field to execute an IMPL. Press the **ENTER** key.

The following prompt appears on the screen:

```

*****
*                                     *
* ARE YOU SURE ? (ENTER Y OR N) N *
*                                     *
*****

```



CAUTION!

The IMPL must not be executed during system operation! If this instruction is not heeded, BS2000 will be aborted!

- ▶ Press the **Y** key to execute the IMPL or the **N** key to cancel the procedure. Confirm your entry with the **ENTER** key.

4.5.3 Setting up PROGRAM LOAD FRAME PRESET1

In this example, you specify:

- LOAD function 1 with the name AUTO (AUTO=Automatic Startup) for a POWER ON IPL
- Device number of the IPL device to be used for a POWER ON IPL (currently A108)
- Automatic IPL after a POWER ON
- The LOAD FRAME should always be displayed as PROGRAM LOAD FRAME: DETAIL-1.

Requirement

You have opened the SVP window and set up the connection to the SVP console.

The MODE SELECTION FRAME is displayed on the screen (see [page 55](#)).

Invoke the AUXILIARY FRAME: LOAD PRESET1 screen

- ▶ Enter AU in the FUNCTION=> field and then press the **ENTER** key,
or
- ▶ enter the FR AU command in line 24 and press the **ENTER** key.
The AUXILIARY FRAME: MENU screen is displayed (see [page 56](#)).
- ▶ Enter 5 in the SELECTION=> field. Press the **ENTER** key.

The AUXILIARY FRAME: LOAD PRESET1 screen is displayed:

```

----- AUXILIARY FRAME: LOAD PRESET1 ----- E90L01G

-START MODE-
==> 1
>1 START AUTO
*2 START FAST
*3 START DIAL
*4 START

-IPL DEVICE-
1 PRESET GROUP -----+
2 CURRENT GROUP -----+ |
3 UNIT ADDRESS  -+      +      +
                   A108   A108   A108
                   XXXX   XXXX   XXXX
                   XXXX   XXXX   XXXX
                   XXXX   XXXX   XXXX

-POWER ON IPL-
==> 1
*1 ENABLE
>2 DISABLE

-INITIAL FRAME-
==> 2
*1 LOAD FRAME(BASIC)
>2 LOAD FRAME(DETAIL)

                                *PF12 CATALOG
                                *PF9  GO TO LOAD PRESET-2

                                CL-0      CPU-0 CHP-0      RUN

RA                                                                    []-[ ]00

```

Figure 29: AUXILIARY FRAME: LOAD PRESET1 screen



You can reach this screen directly from the MODE SELECTION FRAME by entering the frame code AU5 in the FUNCTION=> field or the command FR AU5 in line 24 and pressing the **ENTER** key.

START MODE ==> Enter 1 for automatic start of BS2000

IPL DEVICE

PRESET GROUP A unit address from which the operating system is loaded (IPL) must be entered in the input field for PRESET GROUP. A maximum of three further addresses can be entered. Entry in this example: A108.

POWER ON IPL ==> Enter 1 for automatic IPL after POWER ON

INITIAL FRAME ==> Enter 2 for a detailed display of the LOAD FRAME

Store parameters

► Click on **PF12**

The values entered are saved and thus made known to the SVP. These settings are accessed for each IPL.

4.5.4 Setting up PROGRAM LOAD FRAME PRESET2

In the PROGRAM LOAD FRAME PRESET2 you specify which operating mode is to be set after the server is switched on.

The following are specified in the example below:

- VM2000 operating mode
- Automatic startup of the operating system

Requirement

You are in the AUXILIARY FRAME: LOAD PRESET1.

Invoke the AUXILIARY FRAME: LOAD PRESET2 screen

- ▶ Click on **[PF9]**.

The AUXILIARY FRAME: LOAD PRESET2 screen is displayed:

```

----- AUXILIARY FRAME: LOAD PRESET2 ----- E90L01G

-VM MODE-
==> 2
>1 NATIVE
*2 AVM/EX

-START IPL NO-
==> 1
>1 FIX(1)
*2 CURRENT

                                *PF12 CATALOG
                                *PF9  GO TO LOAD PRESET-1

                                CL-0      CPU-0 CHP-0      RUN

RA                                                                    []-[]00

```

Figure 30: AUXILIARY FRAME: LOAD PRESET2 screen

- VM MODE ==>** Enter 2 for VM2000 operation
- START IPL NO ==>** Always enter 1 for automatic startup

Store parameters

- ▶ Click on **PF12**

The values entered are saved and thus made known to the SVP. These settings are accessed for each IPL.

4.5.5 Executing IPL in PROGRAM LOAD FRAME: DETAIL-1

The IPL can be executed manually according to the setting using PROGRAM LOAD FRAME DETAIL-1.

The following are specified in the example below:

- loading VM2000
- dialog startup
- IPL device is specified manually by the entry of the unit address (here: loading the VM2000 from a device with the unit address A108)

Requirement

You are in the AUXILIARY FRAME: LOAD PRESET2 screen.

Invoke the PROGRAM LOAD FRAME: DETAIL-1 screen

- ▶ Click on **ModSel** to return to the MODE SELECTION FRAME.
- ▶ Enter the frame code LD and press the **ENTER** key.
Or enter the FR LD command in line 24 and press the **ENTER** key.



After entering LD or FR LD in the MODE SELECTION FRAME, depending on the INITIAL FRAME setting in the AUXILIARY FRAME: LOAD PRESET1 screen (see [page 60](#)) either the PROGRAM LOAD FRAME: DETAIL-1 screen or the PROGRAM LOAD FRAME: BASIC is displayed.

In the example the PROGRAM LOAD FRAME: DETAIL-1 is displayed:

```

----- PROGRAM LOAD FRAME: DETAIL-1 ----- E90L01G

-LOAD FUNCTION-          -IPL DEVICE-
==>                      ==> 2
*1 START AUTO            *1 PRESET GROUP -----+
*2 START FAST            >*2 CURRENT GROUP -----+
*3 START DIAL            *3 UNIT ADDRESS  -+      +      |
*4 START                  A108      A108      A108
*5 SYSTEM DUMP                                XXXX      XXXX
*6 LOAD CLEAR -----+                                XXXX      XXXX
*7 LOAD NON CLEAR -+                                XXXX      XXXX
|
+MT CONTROL-          --- DETAIL-2 STATUS ---
==> 1                VM MODE : NATIVE
>*1 NL                EXA MODE : ENABLE
*2 SL                IPL EXEC : ENABLE
*3 NL-REWIND
*4 SL-REWIND

*ENTER EXECUTE
*PF3 GO TO BASIC FRAME
*PF9 GO TO DETAIL-2

CL-0      CPU-0 CHP-0      RUN

RA                                               []-[]00
    
```

Figure 31: PROGRAM LOAD FRAME: DETAIL-1 screen

Before completing this frame, check whether the correct firmware for operating Native BS2000 or VM2000 has been loaded by the SVP. Information on this is provided in the DETAIL-2 STATUS field.

DETAIL-2 STATUS

The settings in DETAIL-2 FRAME are displayed here.

Check the settings. If they are correct, complete this frame and execute the Initial Program Load by pressing the **ENTER** key.

If the settings are not correct, correct them in DETAIL-2 FRAME (see below).

In our example VM MODE: NATIVE, i.e. the firmware for BS2000 operation, is loaded. This setting must be changed in DETAIL-2 FRAME for this example.

Swap to PROGRAM LOAD FRAME: DETAIL-2

For this example, go to the [section “Setting operating mode via PROGRAM LOAD FRAME: DETAIL-2”](#) on page 66 and continue there.

If the DETAIL-2 STATUS is correct, fill in the entry fields as follows:

```

----- PROGRAM LOAD FRAME: DETAIL-1 ----- E90L01G

-LOAD FUNCTION-          -IPL DEVICE-
==> 3                    ==> 3
*1 START AUTO            *1 PRESET GROUP -----+
*2 START FAST            >*2 CURRENT GROUP -----+      |
*3 START DIAL            *3 UNIT ADDRESS  +-+      +      |
*4 START                  A108          A108      A108
*5 SYSTEM DUMP           XXXX          XXXX      XXXX
*6 LOAD CLEAR -----+   XXXX          XXXX      XXXX
*7 LOAD NON CLEAR +-+   XXXX          XXXX      XXXX
                        |
                        +MT CONTROL-          --- DETAIL-2 STATUS ---
PARMS=> 1                ==> 1                VM MODE : AVM/EX
                        >*1 NL                EXA MODE : ENABLE
                        *2 SL                IPL EXEC : ENABLE
                        *3 NL-REWIND          *ENTER EXECUTE
                        *4 SL-REWIND          *PF3 GO TO BASIC FRAME
                                           *PF9 GO TO DETAIL-2

                        CL-0          CPU-0 CHP-0          RUN

RA                                                                []-[]00
    
```

Figure 32: PROGRAM LOAD FRAME: DETAIL-1 screen

- LOAD FUNCTION ==>** Enter 3 for a dialog start
- IPL DEVICE ==>** Enter 3 for entry of a device address
- UNIT ADDRESS** The device address of the load device can be entered in this field
 In this example, the previous IPL was executed successfully from the current device with device address A108. Thus the desired address is already in the UNIT ADDRESS field. It was also entered in the CURRENT GROUP field by the SVP. Entering a 2 in the IPL DEVICE field loads the operating system from the desired device.
- PARMS ==>** Enter 1 in the first position of the field to load VM2000
- MT CONTROL ==>** 1 is the default. This parameter is only important for loading from tape.

executes IPL

- ▶ Press the key after you have checked all the settings.

The following prompt appears on the screen:

```
*****  
*                                     *  
* ARE YOU SURE ? (ENTER Y OR N) N *  
*                                     *  
*****
```



CAUTION!

The IPL must not be executed during system operation!
If this instruction is not heeded, BS2000 will be aborted!

- ▶ Press the key to execute the IPL, or the key to cancel the procedure. Confirm your entry with the key.

4.5.6 Setting operating mode via PROGRAM LOAD FRAME: DETAIL-2

The operating mode can be set anew according to the setting using PROGRAM LOAD FRAME: DETAIL-2. This selects the appropriate firmware for running BS2000 or VM2000.

The following are specified in the example below:

- VM2000 operating mode
- executing IPL after reloading the firmware

Requirement

You are in the PROGRAM LOAD FRAME: DETAIL-1 screen.

Invoke the PROGRAM LOAD FRAME: DETAIL-2 screen

- ▶ Click on **[PF9]**

The PROGRAM LOAD FRAME: DETAIL-2 screen is displayed:

```

----- PROGRAM LOAD FRAME: DETAIL-2 ----- E90L01G

-VM MODE-                               -IPL EXECUTION-
==> 2                                   ==> 1
>*1 NATIVE                             >*1 ENABLE
*2 AVM/EX                               *2 DISABLE

                                           *ENTER  EXECUTE
                                           *PF3    GO TO BASIC FRAME
                                           *PF9    GO TO DETAIL-1

                                CL-0      CPU-0  CHP-0      RUN

RA                                                                    []-[]00

```

Figure 33: PROGRAM LOAD FRAME: DETAIL-2 screen

- VM MODE ==>** Enter 2 for VM2000 operation
IPL EXECUTION ==> Enter 1 for executing IPL

Storing settings

- ▶ After you have checked all the settings, click on **[PF9]** to store them and to switch to PROGRAM LOAD FRAME: DETAIL-1.

The new setting is displayed under VM MODE: in the DETAIL-2 STATUS field. VM MODE: AVM/EX is now displayed. The firmware is relocated before the IPL is executed.

By filling PROGRAM LOAD FRAME: DETAIL-1 and pressing the **[ENTER]** you can execute the IPL (see [page 64](#)).

Make sure you fill in the PARMS field correctly.

5 HNC (High Speed Net Connect)

The High Speed Network Connect (HNC for short) connects the Server Unit /390 to the LAN. Furthermore, as net client the HNC permits access to the Net-Storage. The HNC is operated and managed using the SE Manager.

The internal disks, power supply units, and fans are redundant in design and can be replaced during ongoing operation.

The rack console serves as a monitor for the Management Unit and consequently as a local access administrative and operating functions of the SE server. When necessary (in the event of maintenance), the rack console can also be attached to the HNC using the KVM switch.

The HNC software is preinstalled ex works.

HNC redundancy is possible as an option. Up to four HNCs can be integrated.

Detailed information on operating the HNC is provided in the "Operation and Administration" manual [7].

Detailed information on the various hardware components and interfaces of the HNC is provided in the data sheet "FUJITSU Server BS2000 SE Series".

See the product site for the relevant server at <http://www.fujitsu.com/de>:

- ▶ Go to *Products* → *Servers* → *BS2000* → FUJITSU Server *BS2000* and select SE700 or SE500.



Figure 34: HNC - front



Figure 35: HNC - rear

5.1 Front of the HNC

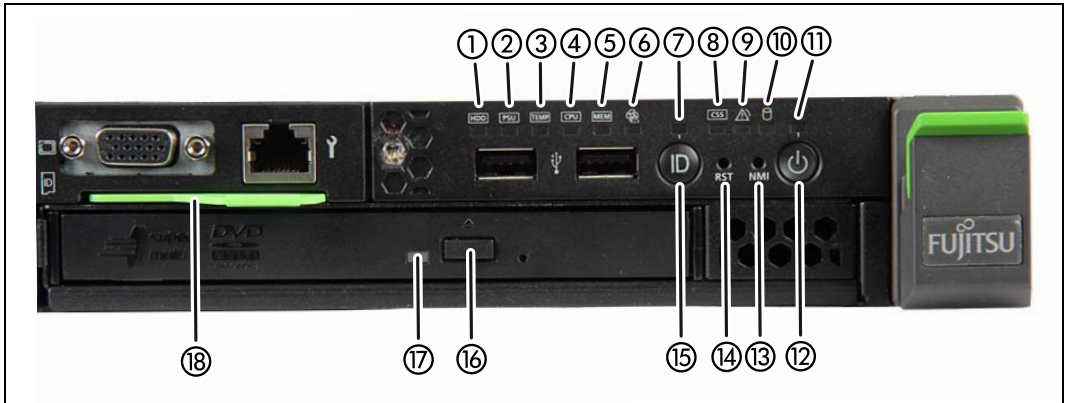


Figure 36: HNC

1	HDD/SDD error indicator	10	HDD/SSD activity indicator
2	PSU fault indicator	11	Status indicator
3	Temperature fault indicator	12	On/Off button
4	CPU fault indicator (notify Customer Support)	13	NMI button (for Customer Support only)
5	Storage fault indicator (notify Customer Support)	14	Reset button (for Customer Support only)
6	Fan fault indicator (notify Customer Support)	15	ID button
7	ID indicator	16	Open/close optical drive
8	CSS indicator (notify Customer Support)	17	Optical drive activity indicator
9	Global error indicator (notify Customer Support)	18	ID card (green)

The DVD-RW drive is used by Customer Support to install and update the HNC software. Use of the USB interfaces is reserved for Customer Support.

Indicators on the operating panel



Power-on indicator (three colors)

Lights up orange when the HNC is switched off but line voltage is present.

Lights up yellow during power up delay.



If the HNC is switched off and then immediately switched on again, it is only restarted after a power up delay. This prevents a current overload, for example.

Lights up green when the HNC is switched on.

Flashes green when the HNC has been switched on and is in standby mode or in sleep mode.



Hard disk activity indicator (green)

Flashes green when an internal hard disk drive is being accessed.

CSS



CSS and Global error indicators (yellow/orange)

Generally, the states of these indicators have the following meanings:

- **Do not light up** when the HNC is OK.
- If the event is still acute after a power failure, the indicator is activated after the restart.
- **Light up** when a prefailure event was detected. The indicator also lights up in standby mode.
- **Flash** when an error was detected. The indicator also flashes in standby mode.

Irrespective of the color, when an indicator lights up or flashes this indicates an error event. Please notify customer support.

ID

ID indicator (blue)

Lights up blue when the HNC has been selected by pressing the ID button. To deactivate, press the button again.

Optical drive activity indicator

Lights up green when the storage medium is accessed. See also [figure 34 on page 69](#).

Hard disk drive control indicators



Figure 37: Front - Detailed view: Indicators on a hard disk module

1	<p>HDD BUSY (green)</p> <ul style="list-style-type: none"> - Lights up: HDD in active phase - Does not light up: HDD inactive
2	<p>HDD FAULT (orange) (in conjunction with a RAID controller)</p> <ul style="list-style-type: none"> - Does not light up: no HDD error - Lights up: HDD Faulty or Rebuild Stopped (drive defective, needs replacing, a rebuild process was stopped or the HDD module is not correctly inserted) - Slow flashing: HDD Rebuild (the data is being restored after changing a hard disk drive) - Fast flashing: HDD Identify - Four fast flashes/pause: HDD Predicted Fault - Two fast flashes/pause: HDD Hot Spare (The corresponding drive has failed).

5.2 Rear of the HNC

ID/CSS/Global error indicator

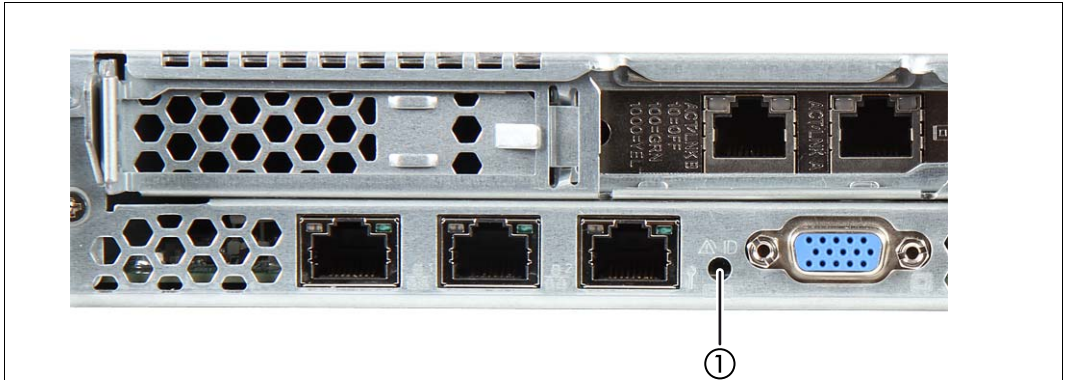


Figure 38: ID/CSS/Global error indicator

1	ID/CSS/Global error indicator
---	-------------------------------

ID ID indicator (blue)

Lights up blue when the HNC has been selected by pressing the ID button. To deactivate, press the button again.

CSS CSS and Global error indicator (yellow/orange)



Generally, the states of these indicators have the following meanings:

- **Do not light up** when the HNC is OK.
- If the event is still acute after a power failure, the indicator is activated after the restart.
- **Light up** when a prefailure event was detected. The indicator also lights up in standby mode.
- **Flash** when an error was detected. The indicator also flashes in standby mode.

Irrespective of the color, when an indicator lights up or flashes this indicates an error event. Please notify customer support.

LAN indicators

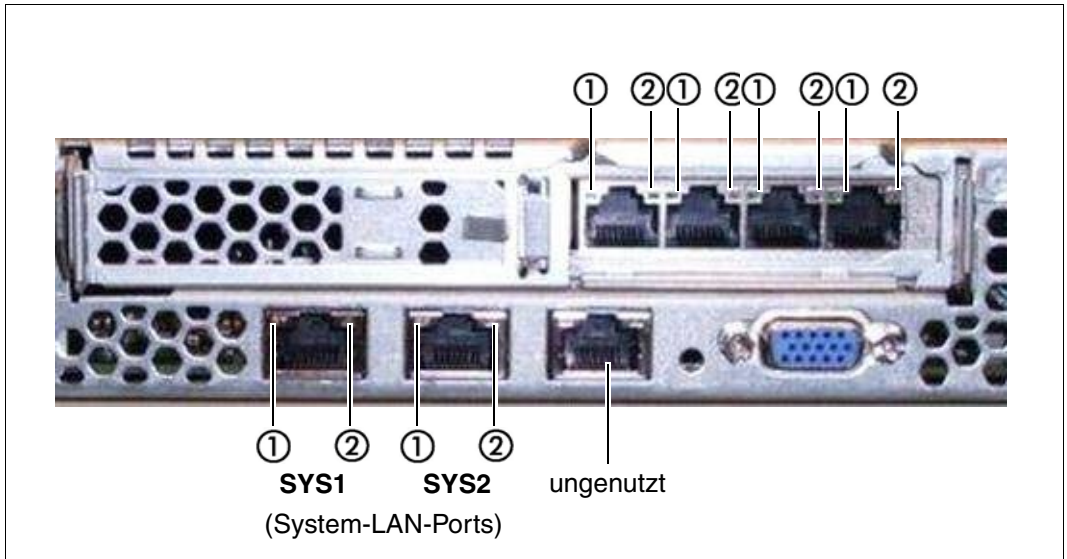


Figure 39: LAN indicators

1	<p>LAN activity indicator</p> <p>Lights up green if a LAN connection exists. Does not light up if no LAN connection exists. Flashes green when a LAN transfer is in progress.</p>
2	<p>LAN speed indicator</p> <p>Lights up yellow for a LAN transfer rate of 1 Gbps. Lights up green for a LAN transfer rate of 100 Mbps. Does not light up for a LAN transfer rate of 10 Mbps.</p>

Indicator on hot-plug power supply unit

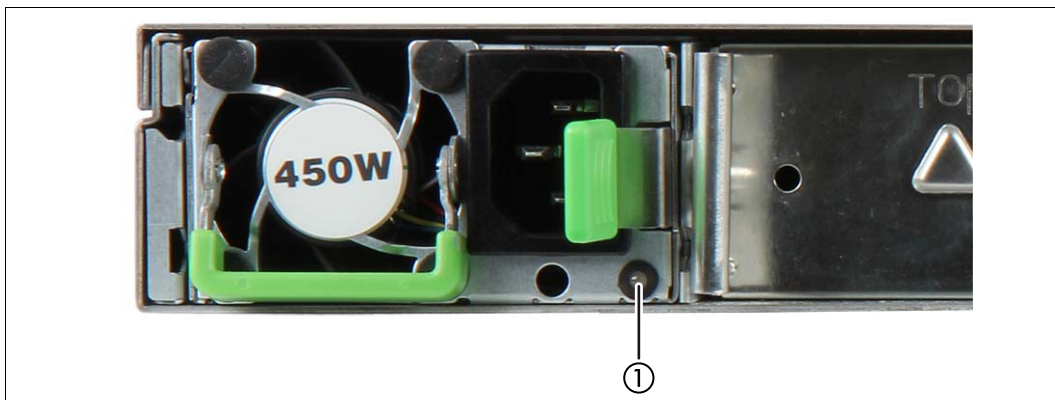


Figure 40: Indicator on hot-plug power supply unit

1	<p>Indicator on hot-plug power supply unit (two colors)</p> <p>Flashes green when the HNC is switched off, but line voltage is present (standby mode).</p> <p>Lights up green when the HNC is switched on and functioning properly.</p> <p>Flashes orange when a predictable error has been detected, but the power supply unit is still running. ¹⁾</p> <p>Lights up orange when no line voltage is present or the power supply unit has failed.</p>
---	--

- 1) The following events are detected as predictable errors:
- The temperature is very high.
 - The power consumption is very high.
 - The current strength is very high.
 - The fan speed is very low.
- In each of these cases please notify Customer Support.

Assignment of the PCIe slots

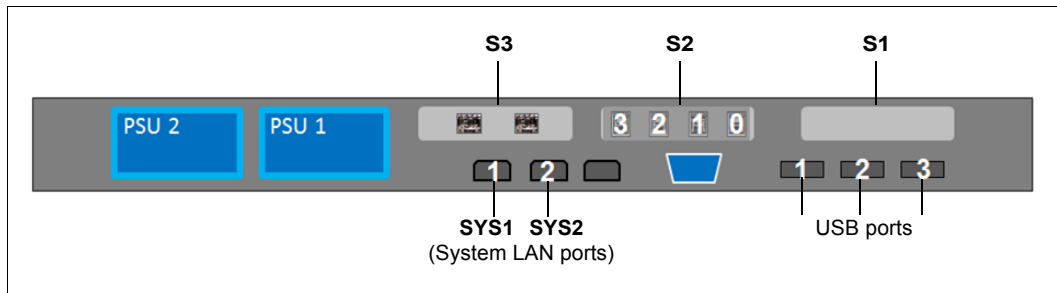


Figure 41: Principle of PCIe slot assignment at the rear of the device

The figure shows the PCIe slots of the HNC:

PCIe slot	Assignment
S1	Not assigned; an optical LAN card is optionally possible
S2	4-port LAN card
S3	FibreChannel card

Table 2: PCIe slot assignment on an HNC

6 What to do if ...

In this chapter you are told how the Server Unit informs you of how you perform a system dump when inexplicable system downtime occurs.

In the event of hardware faults the operating system will take the necessary recovery action autonomously. Customer Service is automatically informed by means of a ServiceCall and initiates repair measures, possibly in conjunction with the customer.

6.1 Indicators when a hardware fault occurs

The server informs you of hardware faults in the following manner:

- On the server's control panel

When the yellow CHECK lamp lights up, this can signal a hardware fault. At the same time the status indicator displays the FLAG code. This can mean a fault in the service processor or a hardware malfunction.

- In the SVP console window

On the SVP console, indicators in row 24 of the SVP frame can signal a hardware fault. Evaluation of the FLAG code is reserved for Customer Support. The figure below shows the format of the display:

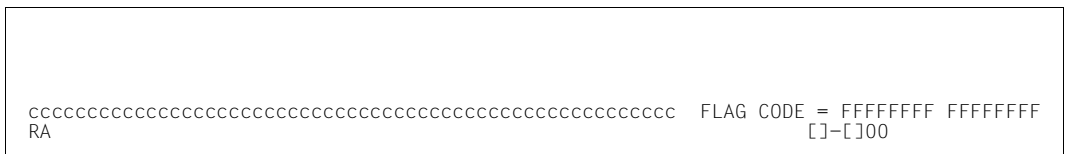


Figure 42: Status display in rows 24 and 25 of the SVP console

FLAG code FF . . . FF can have different meanings and consequently require different responses:

- A WRITE-CONSOLE message has been displayed. This can be deleted with **ModSel**. This does not delete the FLAG code indicator.

- A warning has been displayed, e.g. when the room temperature is too high. The cause of the fault must be rectified. System operation can continue in the meantime.
- A fault which has automatically been corrected by the hardware occurred on the server or at the interface to the peripheral devices. In this case, too, system operation can continue.
- A fault has occurred which does not permit system operation to continue. In this case you can respond as follows:

When system downtime occurs, perform an MPL. If this does not rectify the fault, notify Customer Support and discuss how to proceed further.

6.2 Performing a system dump

Requirement:

SVP console opened and ready

1. Select (LD) PROGRAM LOAD FRAME
2. Select LOAD FUNCTION => 5 (SYSTEM DUMP)

The memory dump stored by the DUMP program to disk or tape is required for error diagnosis.

The BS2000/VM2000 system must subsequently be reloaded by means of IPL.



Information on SLED operation is provided in the "Introduction to System Administration" manual [8].

Related publications

You will find the manuals on the internet at <http://manuals.ts.fujitsu.com>. You can order printed versions of manuals which are displayed with the order number.

- [1] **FUJITSU Server BS2000
SE700 / SE500 / SE300**
Basic Operating Manual
- [2] **FUJITSU Server BS2000
SE700 / SE500**
Server Unit /390
- [3] **FUJITSU Server BS2000
SE700 / SE500 / SE300**
Server Unit x86
- [4] **FUJITSU Server BS2000
SE700 / SE500 / SE300**
Additive Components
- [5] **FUJITSU Server BS2000 SE Series
Security Manual**
User Guide
- [6] **FUJITSU Server BS2000 SE Series
Quick Guide**
User Guide
- [7] **FUJITSU Server BS2000 SE Series
Operation and Administration**
User Guide
- [8] **BS2000 OSD/BC V10.0
Introduction to System Administration (SE Server)**
User Guide

Index

A

ALTER/DISPLAY FRAME (AD) [37](#)
ALTER/DISPLAY FRAME (subframe) [39](#)
AUTO (automatic startup) [59](#)
AUXILIARY FRAME
 IORSF CONTROL [57](#)
 LOAD PRESET1 [60](#)
 LOAD PRESET2 [61](#)
 MENU [56](#)
 MENU (AU) [42, 44](#)
 P-OFF/IMPL [58](#)
AUXILIARY FRAME (AU1): REAL CLOCK [45](#)
AUXILIARY FRAME (AU2): IORSF
 CONTROL [46](#)
AUXILIARY FRAME (AU3): RELATED SCB'S (for
 Customer Support only) [48](#)
AUXILIARY FRAME (AU4): POWER STAND-BY/
 IMPL [49](#)
AUXILIARY FRAME (AU5): LOAD PRESET1 [50](#)
AUXILIARY FRAME (AU5): LOAD PRESET2 [52](#)

B

BS2000, loading [11](#)

C

CH/SUBCH STATUS DISPLAY FRAME:
 CHANNEL [41](#)
channel box [8, 10](#)
CHE box [8, 10](#)
code, frame [22](#)
CPU fault indicator [70](#)
CPU register, display/change content [39](#)
CSS indicator [70, 73](#)

D

data sheet [69](#)
display [17](#)
 hardware status [17](#)
DVD drive activity, indicator [70, 71](#)

E

executing IPL in DETAIL-1 FRAME [62](#)

F

FLAG code [17](#)
frame [24](#)
frame code [22](#)
frame name [22](#)

G

Global error indicator [70, 71, 73](#)
Global error indicators [73](#)

H

hardware fault, indicator [77](#)
hardware status, display [17](#)
HDD BUSY [72](#)
HDD FAULT [72](#)
HDD/SDD activity, indicator [70](#)
HDD/SDD error indicator [70](#)

I

ID button [70](#)
ID indicator [70, 71, 73](#)

indicators

- CPU fault 70
- CSS 70, 73
- DVD drive activity 70, 71
- Global error 70, 73
- hard disk activity 71
- hardware fault 77
- HDD/SDD activity 70
- HDD/SDD error 70
- ID 70, 73
- operating status indicator 70
- PSU error 70
- storage fault 70
- temperature fault 70

IORSF

- load 55
- select 11, 55

IPL

- executing in DETAIL-1 FRAME 62
- manual 62

L

loading

- BS2000 11
- IORSF 55

M

- manual IPL 62
- MANUAL OPERATION FRAME (MA) 35
- messages 15
- MODE SELECTION FRAME (ML) 24, 55
- MSF FRAME (MF) 53

N

- NMI button 70

O

- operating frames 19
- operating mode 61
 - setting 66
- operating status indicator 70

P

- PERFORMANCE ANALYZER FRAME (PA) 54
- power button 70
- power supply unit 75
- power-on indicator 71
- PROGRAM LOAD FRAME
 - BASIC (LD) 27
 - DETAIL-1 28, 63, 64
 - DETAIL-2 32, 66
 - PRESET1 set up 59
 - PRESET2 einrichten 61
- PSU error indicator 70
- PSW (Program Status Word) 15

R

- Reset button 70

S

screen

- AUXILIARY FRAME IORSF CONTROL 57
- AUXILIARY FRAME LOAD PRESET1 60
- AUXILIARY FRAME LOAD PRESET2 61
- AUXILIARY FRAME MENU 56
- AUXILIARY FRAME POWER STAND-BY/
IMPL 58
- MODE SELECTION FRAME 24, 55
- PROGRAM LOAD FRAME 63, 64

selecting

- IORSF 55

- Server Unit /390 7, 9

- setting operating mode 66

setting up

- PROGRAM LOAD FRAME PRESET1 59
- PROGRAM LOAD FRAME PRESET2 61

- starting IMPL 11

- STATUS DISPLAY FRAME (ST) 34

- storage fault indicator 70

- SU700 7, 9

- subframes 24

SVP

- buttons 19
- display 17
- messages 15

system dump, performing 78
system status messages 16

T
temperature fault indicator 70

