

How to connect a GemCore410-EMV to a PC

1. Location of pin 1 VCC 5V +/- 5%

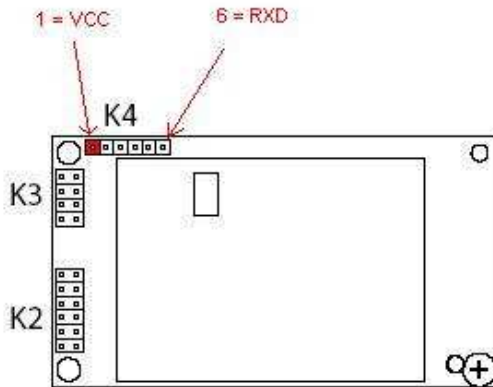


Figure 2 - GemCore410-EMV Pin Connectors

2. K4 socket Specifications.

K4 is used for power supply and serial RS-232 links.

Vcc	Power supply +5V \pm 5%
GND	Ground
TXD	Transmit data line RS232 (RXD_PC)
RI	Used for Presence Card
DTR	Used for Plug and Play (PnP)
RXD	Receive Data Line RS232 (TXD_PC)

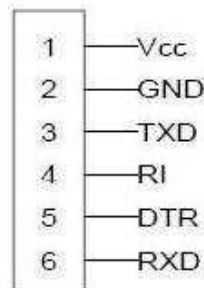


Figure 7 - K4 Pin Designations

Note: RXD, TXD, RI and DTR are RS-232-level connections.

3. Connection diagram RS232 -> K4

On PC side (RS232) pin 6 and pin 4 must be connected together.

