



Lenovo ThinkSystem SR655 Server Product Guide

The Lenovo ThinkSystem SR655 is a 1-socket 2U server that features the new AMD EPYC 7002 "Rome" family of processors. With up to 64 cores per processor and support for the new PCIe 4.0 standard for I/O, the SR655 offers the ultimate in single-socket server performance. With up to 128 PCIe lanes, the server is ideal for workloads that can take advantage of GPU processing and high-performance NVMe drives.

Suggested uses: AI Inference, VDI, OLTP, Analytics, software-defined storage



Figure 1. Lenovo ThinkSystem SR655

Did you know?

By using a high-performance server with only one processor installed, you can take advantage of lower software costs when the software licensing is using a per-socket model.

The SR655 has been designed to take advantage of the features of the EPYC 7002 "Rome" processors, such as the full performance of 225W 64-core processors, support for 3200 MHz memory and PCIe Gen 4.0 support. Competitive servers that are based on the older EPYC 7001 "Naples" designs may not be able to offer these performance features.

Key features

Combining performance and flexibility, the SR655 server is a great choice for enterprises of all sizes. The server offers a broad selection of drive and slot configurations and offers high performance features that industries such as finance, healthcare and telco need. Outstanding reliability, availability, and serviceability (RAS) and high-efficiency design can improve your business environment and can help save operational costs.

Scalability and performance

The SR655 offers numerous features to boost performance, improve scalability and reduce costs:

- Supports the new AMD EPYC 7002 family of processors
- Supports processors with up to 64 cores and 128 threads, core speeds of up to 3.2 GHz, and TDP ratings of up to 225W.
- Support for up to 16 TruDDR4 memory DIMMs, with 8 memory channels and 2 DIMMs per channel. With 1 DIMM installed per channel (8 DIMMs total), memory operates at up to 3200 MHz. With 2 DIMMs per channel (16 DIMMs total), memory operating at up to 2933 MHz.
- Using 128GB 3DS DIMMs, the server supports up to 2TB of system memory.
- Supports 3 double-width GPUs up to 300W each, or 6 single-width GPUs up to 75W each. A 6:1 ratio of GPUs to CPUs means substantial processing power is available with just one CPU.
- Supports up to 32x 2.5-inch hot-swap drive bays, by using combinations of front-accessible (up to 24 bays), mid-accessible (up to 8), and rear-accessible (up to 4) drive bays.
- Supports 3.5-inch drive bays for lower-cost high-capacity storage. 2.5-inch and 3.5-inch drive bays can be mixed in several combinations.
- Supports 16x SATA drives using the onboard SATA controller (no additional adapter needed), enabling lower cost, high capacity storage solution for cold storage workloads.
- Supports up to 28x NVMe drives without oversubscription of PCIe lanes (1:1 connectivity), or up to 32x NVMe drives with a 2:1 oversubscription. The use of NVMe drives maximizes drive I/O performance, in terms of throughput, bandwidth, and latency.
- Supports high-speed RAID controllers from Broadcom providing 12 Gb SAS connectivity to the drive backplanes. A variety of RAID adapters are available, with cache and support for up to 24 drives on a single controller.
- Supports M.2 drives for convenient operating system boot functions or data storage. Available M.2 adapters support either one M.2 drive or two M.2 drives in a RAID 1 configuration for performance and reliability.
- The server has a dedicated industry-standard OCP 3.0 small form factor (SFF) slot, with a PCIe 4.0 x16 interface, supporting a variety of Ethernet network adapters. Simple-swap mechanism with thumbscrews and pull-tab enables tool-less installation and removal of the adapter. Supports shared BMC network sideband connectivity to enable out-of-band systems management.
- The server offers PCI Express 4.0 I/O expansion capabilities that doubles the theoretical maximum bandwidth of PCIe 3.0 (16GT/s in each direction for PCIe 4.0, compared to 8 GT/s with PCIe 3.0). A PCIe 4.0 x16 slot provides 64 GB/s bandwidth, enough to support a 400GbE network connection.
- A total of up to 9 PCIe 4.0 slots (8 with rear access, 1 internal for a RAID adapter) plus a slot dedicated to the OCP adapter.

Availability and serviceability

The SR655 provides many features to simplify serviceability and increase system uptime:

- The server uses ECC memory and supports memory RAS features including Single Device Data Correction (SDDC, also known as Chipkill), Patrol/Demand Scrubbing, DRAM Address Command Parity with Replay, and DRAM Uncorrected ECC Error Retry.
- The server offers hot-swap drives, supporting RAID redundancy for data protection and greater system uptime.
- The M.2 SATA RAID Boot Adapter supports RAID-1 which enables two installed M.2 drives to be configured as a redundant pair.
- The server has up to two hot-swap redundant power supplies and six hot-swap redundant fans to provide availability for business-critical applications.
- The power-source-independent light path diagnostics uses LEDs to lead the technician to failed (or failing) components, which simplifies servicing, speeds up problem resolution, and helps improve system availability.
- Solid-state drives (SSDs) offer more reliability than traditional mechanical HDDs for greater uptime.
- The built-in ASPEED AST2500 baseboard management controller (BMC) continuously monitors system parameters, triggers alerts, and performs recovery actions in case of failures to minimize downtime.
- Proactive Platform Alerts: Voltage regulators, memory, fans, power supplies, server ambient and subcomponent temperatures. Alerts can be surfaced through the BMC to managers such as Lenovo XClarity Administrator. These proactive alerts let you take appropriate actions in advance of possible failure, thereby increasing server uptime and application availability.
- Web-based ThinkSystem System Manager (TSM) provides remote access to the BMC for remote management.
- Lenovo XClarity Provisioning Manager Lite (LXPM Lite) tool can be used to install an operating system on the server and perform system diagnostics.
- Three-year or one-year customer-replaceable unit and onsite limited warranty, 9 x 5 next business day. Optional service upgrades are available.

Manageability and security

Systems management features simplify local and remote management of the SR655:

- Supports Lenovo XClarity Provisioning Manager Lite (LXPM Lite) for system setup and firmware upgrades.
- An integrated industry-standard Unified Extensible Firmware Interface (UEFI) enables improved setup, configuration, and updates, and simplifies error handling.
- Support for industry standard management protocols, IPMI 2.0, SNMP 3.0, Redfish REST API, serial console via IPMI
- An integrated hardware Trusted Platform Module (TPM) supporting TPM 2.0 enables advanced cryptographic functionality, such as digital signatures and remote attestation.
- Administrator and power-on passwords help protect from unauthorized access to the server.
- Support for Lenovo XClarity Energy Manager, which captures real-time power and temperature data from the server and integrates with Redfish-based applications to provide automated controls to lower energy costs.
- Supports AMD Secure Root-of-Trust, Secure Run and Secure Move features to minimize potential attacks and protect data as the OS is booted, as applications are run and as applications are migrated from server to server.
- Supports Secure Boot to ensure only a digitally signed operating system can be used.
- Industry-standard Advanced Encryption Standard (AES) NI support for faster, stronger encryption.

Energy efficiency

The SR655 offers the following energy-efficiency features to save energy, reduce operational costs, and increase energy availability:

- Energy-efficient planar components help lower operational costs.
- High-efficiency power supplies with 80 PLUS Platinum and Titanium certifications
- Low-voltage 1.2 V DDR4 memory offers energy savings compared to 1.35 V and 1.5 V DDR3 DIMMs.
- Solid-state drives (SSDs) consume as much as 80% less power than traditional spinning 2.5-inch HDDs.
- The server uses hexagonal ventilation holes, which can be grouped more densely than round holes, providing more efficient airflow through the system and thus keeping your system cooler.
- Optional Lenovo XClarity Energy Manager provides power and thermal monitoring to help achieve lower heat output and reduced cooling needs.

Components and connectors

The following figure shows the front of the server.

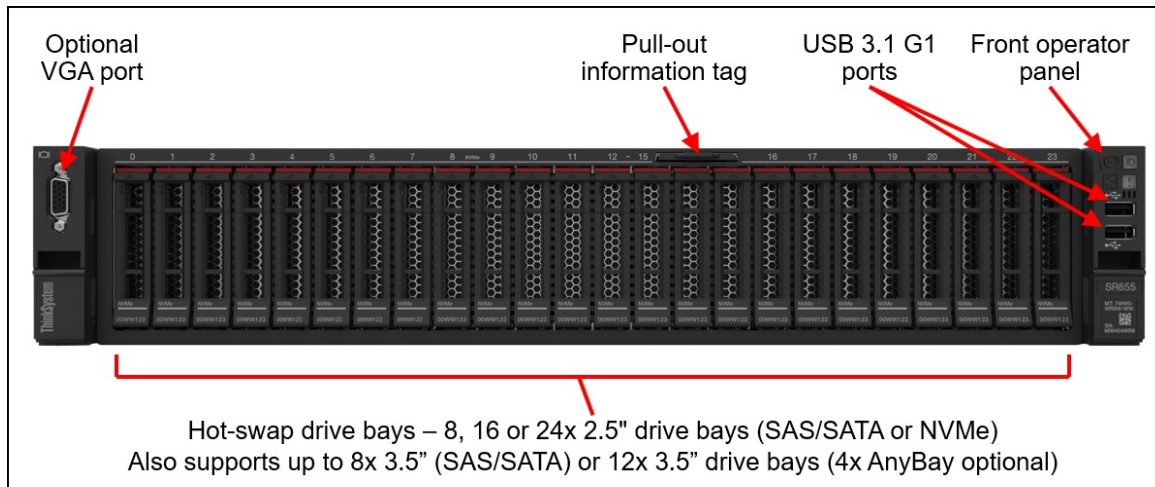


Figure 2. Front view of the Lenovo ThinkSystem SR655

The following figure shows the components visible from the rear of the server. As shown, there are three different configurations available

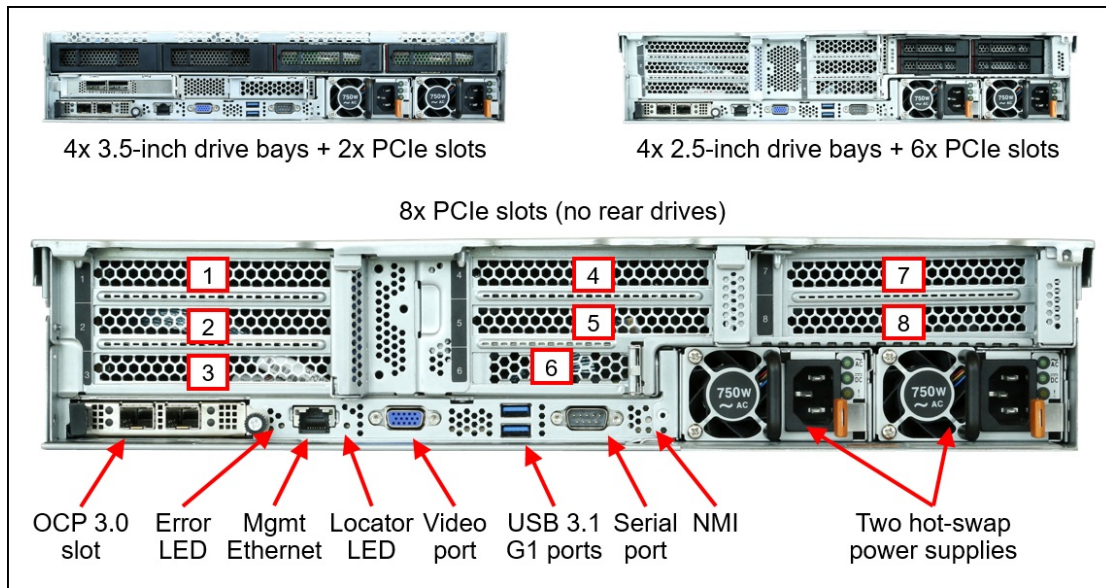


Figure 3. Rear view of the Lenovo ThinkSystem SR655

The following figure shows the locations of key components inside the server.

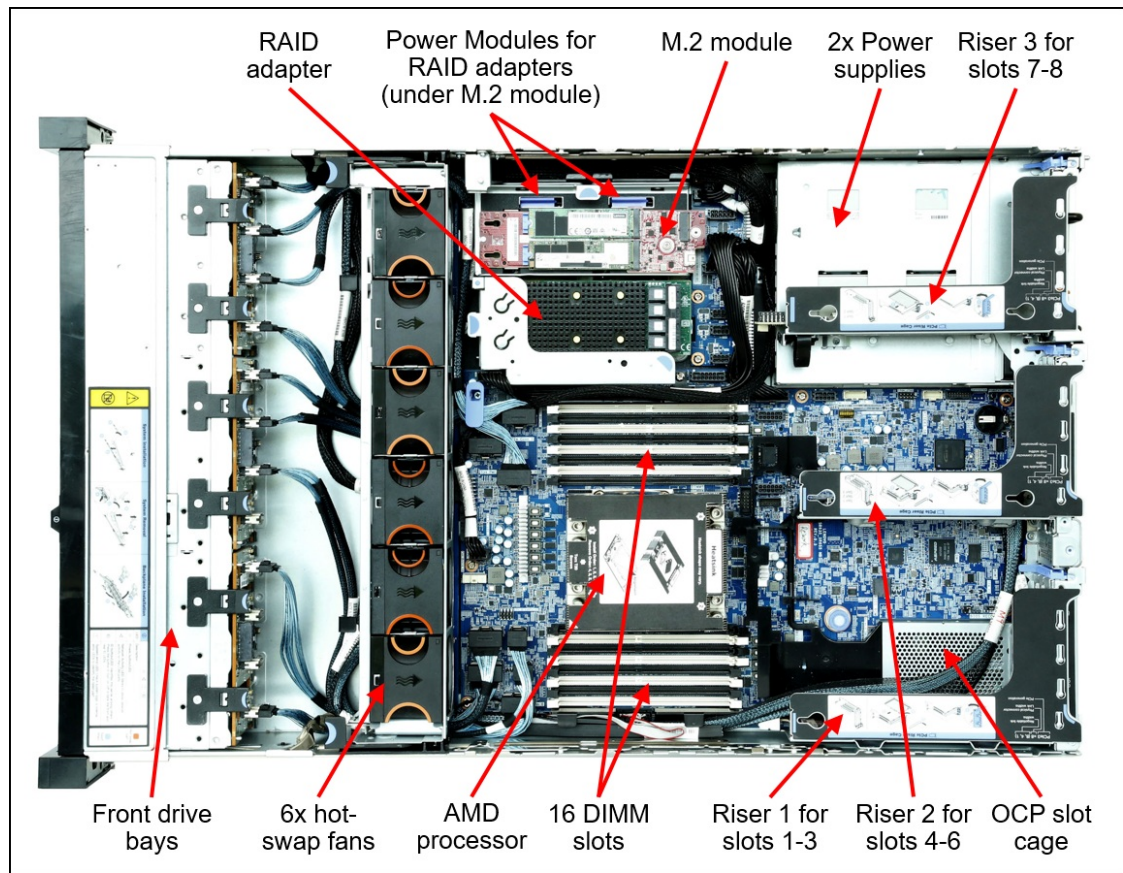


Figure 4. Internal view of the Lenovo ThinkSystem SR655

System architecture

The following figure shows the architectural block diagram of the SR655, showing the major components and their connections.

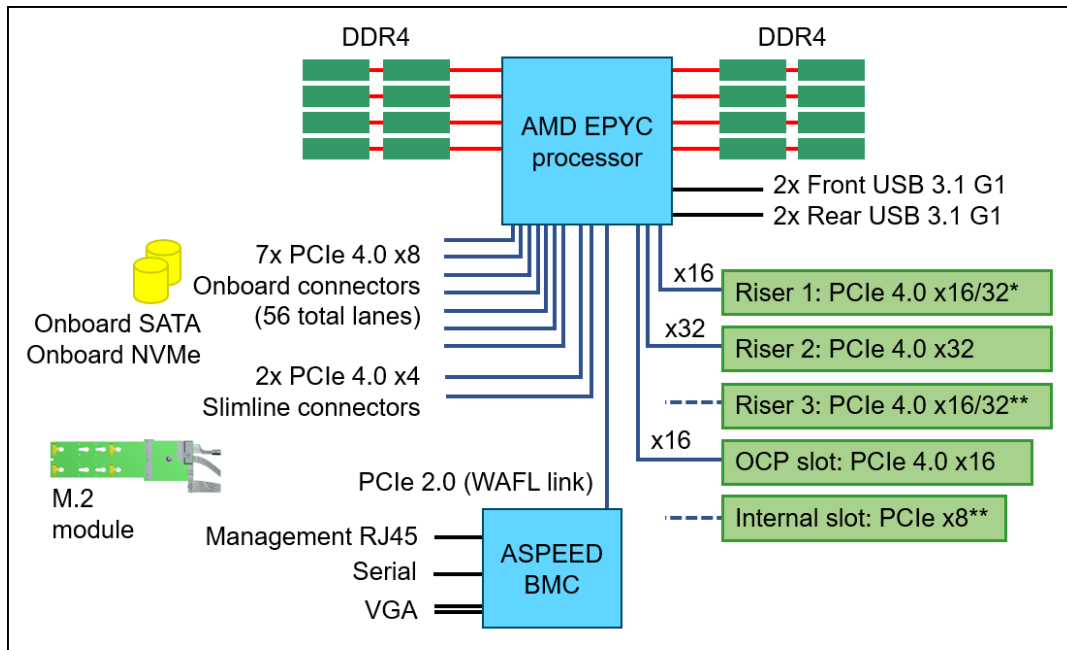


Figure 5. SR655 system architectural block diagram

* Riser 1 has a x16 system board connection. For 32 lanes, the riser receives 16 lanes from two x8 onboard slimline connectors via cables

** Riser 3 and Internal slot are connected to onboard connectors; no system board slots

Standard specifications

The following table lists the standard specifications.

Table 1. Standard specifications

Components	Specification
Machine types	7Y00 - 1 year warranty 7Z01 - 3 year warranty
Form factor	2U rack.
Processor	One AMD EPYC 7002 Series processor (formerly codenamed "Rome"). Supports processors up to 64 cores, core speeds of up to 3.2 GHz, and TDP ratings of up to 225W.
Memory	16 DIMM slots. The processor has 8 memory channels, with 2 DIMMs per channel. Lenovo TruDDR4 RDIMMs are supported. DIMMs are available in two speeds: 3200 MHz and 2933 MHz. With 3200 MHz memory, the server supports a 3200 MHz memory bus speed at 1 DIMM per channel (DPC) and 2933 MHz at 2 DPC. With 2933 MHz memory, the server supports a 2933 MHz memory bus speed at both 1 and 2 DPC.
Memory maximum	Up to 2TB with 16x 128GB 3DS RDIMMs
Persistent memory	Not supported.
Memory protection	ECC, SDDC, Patrol/Demand Scrubbing, DRAM Address Command Parity with Replay, DRAM Uncorrected ECC Error Retry, Post Package Repair

Components	Specification
Disk drive bays	<p>Up to 20x 3.5-inch or 32x 2.5-inch hot-swap drive bays:</p> <ul style="list-style-type: none"> • Front: up to 12x 3.5-inch or 24x 2.5-inch, hot-swap bays • Mid (internal): up to 4x 3.5-inch or 8x 2.5-inch, hot-swap bays • Rear: up to 4x 3.5-inch or 4x 2.5-inch hot-swap bays <p>With 2.5-inch drive bays, mid (internal) bays and rear drives are mutually exclusive. See Supported drive bay combinations for details. Mid bays are hot-swap drive bays and are accessible by removing the top cover of the server. 4x 3.5-inch front drive bays can be configured as AnyBay supporting SAS, SATA or NVMe. 2.5-inch drive bays can be configured as NVMe, supporting 28x NVMe drives with direct connections (no oversubscription), or 32x NVMe drives with 2:1 oversubscription.</p>
Maximum internal storage	<ul style="list-style-type: none"> • All NVMe: 184.32 TB using 24x 6.4 TB NVMe (front) + 8x 3.84TB NVMe SSDs (mid) • All SSDs: 245.76 TB using 32x 7.68TB SSDs (24x front, 8x mid) • All HDDs: 280 TB using 20x 14TB 3.5-inch HDDs (12x front, 4x mid, 4x rear) • Mix of SSDs/HDDs supported but not in the same array
Storage controller	<ul style="list-style-type: none"> • Onboard SATA supporting up to 16 SATA drives (no RAID) • 12 Gb SAS/SATA RAID adapters: <ul style="list-style-type: none"> ◦ RAID 530i (cacheless) supports RAID 0, 1, 10, 5, 50 ◦ RAID 730-8i with 1GB cache supports RAID 0, 1, 10, 5, 50 ◦ RAID 730-8i with 2GB flash-backed cache supports RAID 0, 1, 10, 5, 50, 6, 60 ◦ RAID 930-8i with 2GB flash-backed cache supports RAID 0, 1, 10, 5, 50, 6, 60 ◦ RAID 930-16i and 24i with 4GB or 8GB flash-backed cache supports RAID 0, 1, 10, 5, 50, 6, 60 • 12 Gb SAS/SATA non-RAID: 430-8i and 430-16i HBAs
Optical drive bays	No internal optical drive.
Tape drive bays	No internal backup drive.
Network interfaces	Dedicated OCP 3.0 SFF slot with PCIe 4.0 x16 host interface. Supports a variety of 2-port and 4-port adapters with 1GbE, 10GbE and 25GbE network connectivity. One port can optionally be shared with the ASPEED management processor for Wake-on-LAN and NC-SI support.
PCI Expansion slots	<p>A total of up to 9 PCIe 4.0 slots (8 with rear access, 1 internal for a RAID adapter) plus a slot dedicated to the OCP adapter. Slot availability is based on riser selection.</p> <p>Slot length is dependent on the use of a mid-chassis drive cage: If the mid drive cage is present then slots are half-length; if the mid drive cage is not present, then slots are full-length.</p> <ul style="list-style-type: none"> • Riser 1: Slots 1, 2 and 3 - all FHHL or FHFL (16 or 32 lanes) <ul style="list-style-type: none"> ◦ Option 1*: 1=x16, 2=x8, 3=x8 ◦ Option 2*: 1=x16, 2=x16 (no slot 3) ◦ Option 3: 3=x16 (no slot 1 or slot 2) ◦ Option 4: 1=x16 (no slot 2 or slot 3) • Riser 2: Slots 4, 5, and 6 - slot size varies (32 lanes) <ul style="list-style-type: none"> ◦ Option 1: 4=x16, 5=x8, 6=x8 ◦ Option 2: 4=x16, 5=x16 (no slot 6) ◦ Option 3: 6=x16 (no slot 4 or slot 5) • Riser 3: Slots 7 and 8 - both FHHL or FHFL (16 or 32 lanes) <ul style="list-style-type: none"> ◦ Option 1*: 7=x8, 8=x8 ◦ Option 2*: 7=x16, 8=x16 • Slot 9: Internal PCIe 4.0 x8 low-profile slot for internal drive controller <p>* The use of 32 lanes with Riser 1 or the use of Riser 3 imposes restrictions on the use of the onboard SATA controller or the use of the M.2 Module or both. See the I/O expansion section for details.</p>

Components	Specification
Ports	Front: Two USB 3.1 G1 (5 Gb/s) ports, optional VGA port. Rear: USB 3.1 G1 (5 Gb/s) ports, one VGA video port, one DB-9 serial port, and one RJ-45 1GbE systems management port. Internal: Optional M.2 module supporting up to two M.2 drives (for OS boot and drive storage support; not available in all configurations).
Cooling	Five or six N+1 redundant hot swap 60 mm fans, configuration dependent. One fan integrated in each power supply.
Power supply	Up to two hot-swap redundant AC power supplies (all 80 PLUS Platinum certification): 550 W, 750 W, 1100 W and 1600 W AC options, supporting 220 V AC. 550 W, 750 W and 1100 W options also support 110V input supply. In China only, all power supply options support 240 V DC.
Video	Onboard graphics with 512 MB memory with 2D hardware accelerator, integrated into the ASPEED AST2500 BMC management processor. Maximum resolution is 1920x1200 at 60Hz, 32bpp
Hot-swap parts	Drives, power supplies, and fans.
Systems management	ASPEED AST2500 embedded management processor, XClarity Provisioning Manager Lite (LXPM Lite) for system setup and firmware upgrades. XClarity Administrator centralized infrastructure management, and XClarity Energy Manager centralized server power management. Light path diagnostics for local failure detection and reporting.
Security features	Power-on password, administrator's password, Trusted Platform Module (TPM), supporting TPM 2.0. In China only, optional Nationz TPM 2.0. Optional lockable front security bezel. Optional chassis intrusion switch.
Operating systems supported	Microsoft Windows Server, Red Hat Enterprise Linux, SUSE Linux Enterprise Server, VMware ESXi. See the Operating system support section for specifics.
Limited warranty	Three-year or one-year (model dependent) customer-replaceable unit and onsite limited warranty with 9x5 next business day (NBD).
Service and support	Optional service upgrades are available through Lenovo Services: 4-hour or 2-hour response time, 6-hour fix time, 1-year or 2-year warranty extension, software support for Lenovo hardware and some third-party applications.
Dimensions	Height: 86 mm (3.4 in.), width: 445 mm (17.5 in.), depth: 765 mm (30.1 in.)
Weight	Maximum: 35.4 kg (78.0 lb)

Models

Models of the SR655 are defined based on whether the server has 2.5-inch drive bays at the front (called the 24x 2.5" chassis) or whether it has 3.5-inch drive bays at the front (called the 12x 3.5" chassis). For models, the feature codes for these chassis bases are as listed in the following table.

Table 2. Chassis base feature codes

Feature code	Description
B5VK	ThinkSystem SR655 12x3.5" Chassis
B5VJ	ThinkSystem SR655 24x2.5" Chassis

The following tables list the available models, grouped by region.

- [Models for Australia and New Zealand](#)
- [Models for South East Asian countries \(ASEAN\)](#)
- [Models for Brazil](#)
- [Models for EMEA countries](#)
- [Models for Hong Kong, Taiwan, Korea \(HTK\)](#)

- [Models for India](#)
- [Models for Japan](#)
- [Models for Latin American countries \(except Brazil\)](#)
- [Models for USA and Canada](#)

Refer to the Specifications section for information about standard features of the server.

Models for Australia and New Zealand

Table 3. Models for Australia and New Zealand

Model	AMD EPYC processor†	Memory	RAID	Drive bays	OCP	Slots*	Power supplies	Power cords	Front VGA	Fans	Rail kit
TopSeller models with a 3-year model (machine type 7Z01)											
7Z01A02MAU	7302P 16C 155W 3.0GHz	1x 32GB 3200	730-8i 2GB	8x 3.5" SAS Open bay	4x1Gb	1, 2, 1	2x 750W	Yes	Yes	6x Std	Fric
7Z01A02XAU	7302P 16C 155W 3.0GHz	1x 32GB 3200	730-8i 2GB	8x 2.5" SAS Open bay	4x1Gb	1, 2, 1	2x 750W	Yes	Yes	6x Std	Fric
7Z01A02LAU	7402P 24C 180W 2.8GHz	1x 32GB 3200	730-8i 2GB	8x 2.5" SAS Open bay	4x1Gb	1, 2, 1	2x 750W	Yes	Yes	6x Perf	Fric
7Z01A039AU	7402P 24C 180W 2.8GHz	1x 32GB 3200	730-8i 2GB	8x 3.5" SAS Open bay	4x1Gb	1, 2, 1	2x 750W	Yes	Yes	6x Perf	Fric
7Z01A030AU	7502P 32C 180W 2.5GHz	1x 32GB 3200	730-8i 2GB	8x 3.5" SAS Open bay	4x1Gb	1, 2, 1	2x 750W	Yes	Yes	6x Perf	Fric
7Z01A031AU	7502P 32C 180W 2.5GHz	1x 32GB 3200	730-8i 2GB	8x 2.5" SAS Open bay	4x1Gb	1, 2, 1	2x 750W	Yes	Yes	6x Perf	Fric
7Z01A02UAU	7702P 64C 200W 2.0GHz	1x 32GB 3200	730-8i 2GB	8x 2.5" SAS Open bay	4x1Gb	1, 2, 1	2x 750W	Yes	Yes	6x Perf	Fric
7Z01A02VAU	7702P 64C 200W 2.0GHz	1x 32GB 3200	730-8i 2GB	8x 2.5" SAS Open bay	4x1Gb	1, 2, 1	2x 750W	Yes	Yes	6x Perf	Fric

† Processor description: AMD EPYC model, number of cores, thermal design power (TDP), core frequency

* Slots are listed as (x, y, z) where x = number of rear-accessible x16 slots, y = number of rear-accessible x8 slots, z = number of internal x8 slots

Models for South East Asian countries (ASEAN)

Table 4. Models for South East Asian countries (ASEAN)

Model	AMD EPYC processor†	Memory	RAID	Drive bays	OCP	Slots*	Power supplies	Power cords	Front VGA	Fans	Rail kit
TopSeller models with a 3-year model (machine type 7Z01)											
7Z01A036SG	7302P 16C 155W 3.0GHz	1x 32GB 3200	730-8i 2GB	8x 3.5" SAS Open bay	4x1Gb	1, 2, 1	2x 750W	Yes	Yes	6x Std	Fric
7Z01A03ASG	7302P 16C 155W 3.0GHz	1x 32GB 3200	730-8i 2GB	8x 2.5" SAS Open bay	4x1Gb	1, 2, 1	2x 750W	Yes	Yes	6x Std	Fric
7Z01A02TSG	7402P 24C 180W 2.8GHz	1x 32GB 3200	730-8i 2GB	8x 3.5" SAS Open bay	4x1Gb	1, 2, 1	2x 750W	Yes	Yes	6x Perf	Fric
7Z01A033SG	7402P 24C 180W 2.8GHz	1x 32GB 3200	730-8i 2GB	8x 2.5" SAS Open bay	4x1Gb	1, 2, 1	2x 750W	Yes	Yes	6x Perf	Fric
7Z01A02QSG	7502P 32C 180W 2.5GHz	1x 32GB 3200	730-8i 2GB	8x 2.5" SAS Open bay	4x1Gb	1, 2, 1	2x 750W	Yes	Yes	6x Perf	Fric
7Z01A02YSG	7502P 32C 180W 2.5GHz	1x 32GB 3200	730-8i 2GB	8x 3.5" SAS Open bay	4x1Gb	1, 2, 1	2x 750W	Yes	Yes	6x Perf	Fric
7Z01A034SG	7702P 64C 200W 2.0GHz	1x 32GB 3200	730-8i 2GB	8x 2.5" SAS Open bay	4x1Gb	1, 2, 1	2x 750W	Yes	Yes	6x Perf	Fric
7Z01A03BSG	7702P 64C 200W 2.0GHz	1x 32GB 3200	730-8i 2GB	8x 2.5" SAS Open bay	4x1Gb	1, 2, 1	2x 750W	Yes	Yes	6x Perf	Fric

† Processor description: AMD EPYC model, number of cores, thermal design power (TDP), core frequency

* Slots are listed as (x, y, z) where x = number of rear-accessible x16 slots, y = number of rear-accessible x8 slots, z = number of internal x8 slots

Models for Brazil

Table 5. Models for Brazil

Model	AMD EPYC processor†	Memory	RAID	Drive bays	OCP	Slots*	Power supplies	Power cords	Front VGA	Fans	Rail kit
Standard models with a 3-year model (machine type 7Z01)											
7Z01A03UBR	7262 8C 155W 3.2GHz	1x 16GB 2933	530-8i	8x 2.5" SAS Open bay	4x1Gb	2, 6, 0	1x 750W	Yes	Yes	5x Std	Slide+CMA
7Z01A03SBR	7302P 16C 155W 3.0GHz	1x 16GB 2933	530-8i	8x 2.5" SAS Open bay	4x1Gb	2, 6, 0	1x 750W	Yes	Yes	5x Std	Slide+CMA
7Z01A03QBR	7402 24C 180W 2.8GHz	1x 32GB 2933	730-8i 1GB	8x 2.5" SAS Open bay	4x1Gb	2, 6, 0	1x 1100W	Yes	Yes	5x Perf	Slide+CMA
7Z01A03TBR	7502P 32C 180W 2.5GHz	1x 32GB 2933	930-16i	16x 2.5" SAS Open bay	4x1Gb	2, 6, 0	1x 1100W	Yes	Yes	5x Perf	Slide+CMA

† Processor description: AMD EPYC model, number of cores, thermal design power (TDP), core frequency

* Slots are listed as (x, y, z) where x = number of rear-accessible x16 slots, y = number of rear-accessible x8 slots, z = number of internal x8 slots

Models for EMEA countries

Table 6. Models for EMEA countries

Model	AMD EPYC processor†	Memory	RAID	Drive bays	OCF	Slots*	Power supplies	Power cords	Front VGA	Fans	Rail kit
Standard models with a 3-year model (machine type 7Z01)											
7Z01A04AEA	7252P 8C 120W 2.8GHz	1x 32GB 2933	930-8i	8x 2.5" SAS Open bay	Open	1, 2, 1	1x 750W HS	Yes	Opt	6x Perf	Slide
7Z01A04BEA	7252P 8C 120W 2.8GHz	1x 32GB 2933	Onboard AHCI	12x 3.5" SAS Open bay	Open	1, 2, 1	1x 1100W HS	Yes	Opt	6x Perf	Slide
7Z01A02BEA	7262 8C 155W 3.2GHz	1x 32GB 3200	Onboard AHCI	12x 3.5" SAS Open bay	Open	Open	1x 750W HS	Yes	Opt	5x Std	Slide
7Z01A02DEA	7262 8C 155W 3.2GHz	1x 32GB 3200	Option	Optional 2.5" Open bay	Open	Open	1x 750W HS	Yes	Opt	5x Std	Slide
7Z01A049EA	7282 16C 120W 2.4GHz	1x 32GB 2933	930-8i	8x 2.5" SAS Open bay	Open	1, 2, 1	1x 750W HS	Yes	Opt	6x Perf	Slide
7Z01A04CEA	7282 16C 120W 2.4GHz	1x 32GB 2933	930-16i	12x 3.5" SAS Open bay	Open	1, 2, 1	1x 1100W HS	Yes	Opt	6x Perf	Slide
7Z01A02AEA	7302P 16C 155W 3.0GHz	1x 32GB 3200	Onboard AHCI	12x 3.5" SAS Open bay	Open	Open	1x 750W HS	Yes	Opt	5x Std	Slide
7Z01A02CEA	7302P 16C 155W 3.0GHz	1x 32GB 3200	Option	Optional 2.5" Open bay	Open	Open	1x 750W HS	Yes	Opt	5x Std	Slide
7Z01A029EA	7452 32C 155W 2.35GHz	1x 32GB 3200	Onboard AHCI	12x 3.5" SAS Open bay	Open	Open	1x 750W HS	Yes	Opt	5x Std	Slide
7Z01A048EA	7452 32C 155W 2.35GHz	1x 32GB 3200	Option	Optional 2.5" Open bay	Open	1, 2, 1	1x 750W HS	Yes	Opt	6x Perf	Slide
7Z01A02EEA	7502P 32C 180W 2.5GHz	1x 32GB 3200	Option	16x 2.5" NVMe Open bay	Open	Open	1x 1100W HS	Yes	Opt	5x Perf	Slide
7Z01A02HEA	7502P 32C 180W 2.5GHz	1x 32GB 3200	Option	Optional 2.5" Open bay	Open	Open	1x 750W HS	Yes	Opt	5x Perf	Slide
7Z01A04EEA	7542 32C 225W 2.9GHz	1x 32GB 3200	Option	Optional 2.5" Open bay	Open	1, 2, 1	1x 1100W HS	Yes	Opt	6x Perf	Slide
7Z01A04FEA	7552 48C 200W 2.2GHz	1x 32GB 3200	Option	Optional 2.5" Open bay	Open	1, 2, 1	1x 750W HS	Yes	Opt	6x Perf	Slide
7Z01A04DEA	7642 48C 225W 2.4GHz	1x 32GB 3200	Option	Optional 2.5" Open bay	Open	1, 2, 1	1x 1100W HS	Yes	Opt	6x Perf	Slide
7Z01A02FEA	7702P 64C 200W 2.0GHz	1x 32GB 3200	Option	Optional 2.5" Open bay	Open	Open	1x 1100W HS	Yes	Opt	5x Perf	Slide
7Z01A02GEA	7742 64C 225W 2.25GHz	1x 32GB 3200	Option	Optional 2.5" Open bay	Open	Open	1x 1100W HS	Yes	Opt	5x Perf	Slide

† Processor description: AMD EPYC model, number of cores, thermal design power (TDP), core frequency

* Slots are listed as (x, y, z) where x = number of rear-accessible x16 slots, y = number of rear-accessible x8 slots, z = number of internal x8 slots

Models for Hong Kong, Taiwan, Korea (HTK)

Table 7. Models for Hong Kong, Taiwan, Korea (HTK)

Model	AMD EPYC processor†	Memory	RAID	Drive bays	OCP	Slots*	Power supplies	Power cords	Front VGA	Fans	Rail kit
TopSeller models with a 3-year model (machine type 7Z01)											
7Z01A035CN	7302P 16C 155W 3.0GHz	1x 32GB 3200	730-8i 2GB	8x 2.5" SAS Open bay	4x1Gb	1, 2, 1	2x 750W	Yes	Yes	6x Std	Fric
7Z01A02KCN	7402P 24C 180W 2.8GHz	1x 32GB 3200	730-8i 2GB	8x 2.5" SAS Open bay	4x1Gb	1, 2, 1	2x 750W	Yes	Yes	6x Perf	Fric
7Z01A02SCN	7502P 32C 180W 2.5GHz	1x 32GB 3200	730-8i 2GB	8x 2.5" SAS Open bay	4x1Gb	1, 2, 1	2x 750W	Yes	Yes	6x Perf	Fric
7Z01A02ZCN	7702P 64C 200W 2.0GHz	1x 32GB 3200	730-8i 2GB	8x 2.5" SAS Open bay	4x1Gb	1, 2, 1	2x 750W	Yes	Yes	6x Perf	Fric

† Processor description: AMD EPYC model, number of cores, thermal design power (TDP), core frequency

* Slots are listed as (x, y, z) where x = number of rear-accessible x16 slots, y = number of rear-accessible x8 slots, z = number of internal x8 slots

Models for India

Table 8. Models for India

Model	AMD EPYC processor†	Memory	RAID	Drive bays	OCP	Slots*	Power supplies	Power cords	Front VGA	Fans	Rail kit
TopSeller models with a 3-year model (machine type 7Z01)											
7Z01A02PSG	7302P 16C 155W 3.0GHz	1x 32GB 3200	730-8i 2GB	8x 2.5" SAS Open bay	4x1Gb	1, 2, 1	2x 750W	Yes	Yes	6x Std	Fric
7Z01A02WSG	7302P 16C 155W 3.0GHz	1x 32GB 3200	730-8i 2GB	8x 3.5" SAS Open bay	4x1Gb	1, 2, 1	2x 750W	Yes	Yes	6x Std	Fric
7Z01A032SG	7402P 24C 180W 2.8GHz	1x 32GB 3200	730-8i 2GB	8x 3.5" SAS Open bay	4x1Gb	1, 2, 1	2x 750W	Yes	Yes	6x Perf	Fric
7Z01A038SG	7402P 24C 180W 2.8GHz	1x 32GB 3200	730-8i 2GB	8x 2.5" SAS Open bay	4x1Gb	1, 2, 1	2x 750W	Yes	Yes	6x Perf	Fric
7Z01A02RSG	7502P 32C 180W 2.5GHz	1x 32GB 3200	730-8i 2GB	8x 2.5" SAS Open bay	4x1Gb	1, 2, 1	2x 750W	Yes	Yes	6x Perf	Fric
7Z01A037SG	7502P 32C 180W 2.5GHz	1x 32GB 3200	730-8i 2GB	8x 3.5" SAS Open bay	4x1Gb	1, 2, 1	2x 750W	Yes	Yes	6x Perf	Fric
7Z01A02JSG	7702P 64C 200W 2.0GHz	1x 32GB 3200	730-8i 2GB	8x 2.5" SAS Open bay	4x1Gb	1, 2, 1	2x 750W	Yes	Yes	6x Perf	Fric
7Z01A02NSG	7702P 64C 200W 2.0GHz	1x 32GB 3200	730-8i 2GB	8x 2.5" SAS Open bay	4x1Gb	1, 2, 1	2x 750W	Yes	Yes	6x Perf	Fric

† Processor description: AMD EPYC model, number of cores, thermal design power (TDP), core frequency

* Slots are listed as (x, y, z) where x = number of rear-accessible x16 slots, y = number of rear-accessible x8 slots, z = number of internal x8 slots

Models for Japan

Table 9. Models for Japan

Model	AMD EPYC processor†	Memory	RAID	Drive bays	OCP	Slots*	Power supplies	Power cords	Front VGA	Fans	Rail kit
TopSeller models with a 3-year model (machine type 7Z01)											
7Z01A03GJP	7262 8C 155W 3.2GHz	1x 16GB 3200	530-8i	8x 2.5" SAS Open bay	4x1Gb	1, 2, 1	1x 750W	Opt	Opt	6x Std	Slide
7Z01A03MJP	7262 8C 155W 3.2GHz	1x 16GB 3200	530-8i	8x 3.5" SAS Open bay	4x1Gb	1, 2, 1	1x 750W	Opt	Opt	6x Std	Slide
7Z01A03HJP	7302P 16C 155W 3.0GHz	1x 16GB 3200	530-8i	8x 3.5" SAS Open bay	4x1Gb	1, 2, 1	1x 750W	Opt	Opt	6x Std	Slide
7Z01A03KJP	7302P 16C 155W 3.0GHz	1x 16GB 3200	530-8i	8x 2.5" SAS Open bay	4x1Gb	1, 2, 1	1x 750W	Opt	Opt	6x Std	Slide
7Z01A03FJP	7502P 32C 180W 2.5GHz	1x 16GB 3200	730-8i 2GB	8x 2.5" SAS Open bay	4x1Gb	1, 2, 1	1x 750W	Opt	Opt	6x Perf	Slide
7Z01A03NJP	7702P 64C 200W 2.0GHz	1x 16GB 3200	730-8i 2GB	8x 2.5" SAS Open bay	4x1Gb	1, 2, 1	1x 750W	Opt	Opt	6x Perf	Slide

† Processor description: AMD EPYC model, number of cores, thermal design power (TDP), core frequency

* Slots are listed as (x, y, z) where x = number of rear-accessible x16 slots, y = number of rear-accessible x8 slots, z = number of internal x8 slots

Models for Latin American countries (except Brazil)

Table 10. Models with a 3-year warranty for Latin American countries (except Brazil)

Model	AMD EPYC processor†	Memory	RAID	Drive bays	OCP	Slots*	Power supplies	Power cords	Front VGA	Fans	Rail kit
Standard models with a 3-year model (machine type 7Z01)											
7Z01A03XLA	7262 8C 155W 3.2GHz	1x 16GB 2933	530-8i	8x 2.5" SAS Open bay	4x1Gb	2, 6, 0	1x 750W	Yes	Yes	5x Std	Slide+CMA
7Z01A03YLA	7302P 16C 155W 3.0GHz	1x 16GB 2933	530-8i	8x 2.5" SAS Open bay	4x1Gb	2, 6, 0	1x 750W	Yes	Yes	5x Std	Slide+CMA
7Z01A03ZLA	7402 24C 180W 2.8GHz	1x 32GB 2933	730-8i 1GB	8x 2.5" SAS Open bay	4x1Gb	2, 6, 0	1x 1100W	Yes	Yes	5x Perf	Slide+CMA
7Z01A040LA	7502P 32C 180W 2.5GHz	1x 32GB 2933	930- 16i	16x 2.5" SAS Open bay	4x1Gb	2, 6, 0	1x 1100W	Yes	Yes	5x Perf	Slide+CMA
7Z01A041LA	7702P 64C 200W 2.0GHz	1x 64GB 2933	930- 16i	16x 2.5" SAS Open bay	4x1Gb	2, 6, 0	1x 1100W	Yes	Yes	5x Perf	Slide+CMA

† Processor description: AMD EPYC model, number of cores, thermal design power (TDP), core frequency

* Slots are listed as (x, y, z) where x = number of rear-accessible x16 slots, y = number of rear-accessible x8 slots, z = number of internal x8 slots

Models for USA and Canada

Table 11. Models for USA and Canada

Model	AMD EPYC processor†	Memory	RAID	Drive bays	OCP	Slots*	Power supplies	Power cords	Front VGA	Fans	Rail kit
Standard models with a 3-year model (machine type 7Z01)											
7Z01A03CNA	7302P 16C 155W 3.0GHz	1x 16GB 3200	Option	Optional 2.5" Open bay	Open	Open	1x 750W	Yes	Yes	5x Std	Slide
7Z01A03ENA	7402P 24C 180W 2.8GHz	1x 32GB 3200	Option	Optional 2.5" Open bay	Open	Open	1x 750W	Yes	Yes	5x Perf	Slide
7Z01A03JNA	7502P 32C 180W 2.5GHz	1x 32GB 3200	Option	Optional 2.5" Open bay	Open	Open	1x 750W	Yes	Yes	5x Perf	Slide
7Z01A03LNA	7702P 64C 200W 2.0GHz	1x 32GB 3200	Option	Optional 2.5" Open bay	Open	Open	1x 750W	Yes	Yes	5x Perf	Slide

† Processor description: AMD EPYC model, number of cores, thermal design power (TDP), core frequency
 * Slots are listed as (x, y, z) where x = number of rear-accessible x16 slots, y = number of rear-accessible x8 slots, z = number of internal x8 slots

Processor options

The SR655 supports processors in the second-generation AMD EPYC family of processors. The server supports one processor.

The table below lists the supported AMD processors.

All supported processors have the following characteristics:

- Second-generation AMD EPYC processors (formerly codenamed "Rome")
- 7 nm process technology
- Eight DDR4 memory channels
- 128 PCIe 4.0 I/O lanes

Part numbers: Processors do not include an option part number because there are no field upgrades supported.

Table 12. Processor options for the SR655

Feature code	Description
B766	ThinkSystem AMD EPYC 7232P 8C 120W 3.1GHz Processor
B6VU	ThinkSystem AMD EPYC 7252 8C 120W 3.1GHz Processor
B6TS	ThinkSystem AMD EPYC 7262 8C 155W 3.2GHz Processor
B767	ThinkSystem AMD EPYC 7272 12C 120W 2.9GHz Processor
B6VZ	ThinkSystem AMD EPYC 7282 16C 120W 2.8GHz Processor
B6TV	ThinkSystem AMD EPYC 7302 16C 155W 3.0GHz Processor
B6VV	ThinkSystem AMD EPYC 7302P 16C 155W 3.0GHz Processor
B6W0	ThinkSystem AMD EPYC 7352 24C 155W 2.3GHz Processor
B6VW	ThinkSystem AMD EPYC 7402 24C 180W 2.8GHz Processor
B6TT	ThinkSystem AMD EPYC 7402P 24C 180W 2.8GHz Processor
B6TU	ThinkSystem AMD EPYC 7452 32C 155W 2.35 GHz Processor
B5XG	ThinkSystem AMD EPYC 7502 32C 180W 2.5GHz Processor
B6VX	ThinkSystem AMD EPYC 7502P 32C 180W 2.5GHz Processor
B6W2	ThinkSystem AMD EPYC 7542 32C 225W 2.9GHz Processor
B6W1	ThinkSystem AMD EPYC 7552 48C 200W 2.2GHz Processor
B6W3	ThinkSystem AMD EPYC 7642 48C 225W 2.3GHz Processor
B6TR	ThinkSystem AMD EPYC 7702 64C 200W 2.0GHz Processor
B6VY	ThinkSystem AMD EPYC 7702P 64C 200W 2.0GHz Processor
B5XF	ThinkSystem AMD EPYC 7742 64C 225W 2.25 GHz Processor

Processor features

The following table lists the features of the supported processors.

P suffix: Processor models with a P suffix are designated as single-socket processors. They have identical features to the non-P equivalent processors.

Table 13. Processor specifications

EPYC model	Cores / Threads	Base Frequency	Max Boost Frequency†	L3 Cache	Memory channels	Memory bus	TDP
7232P	8 / 16	3.1 GHz	3.2 GHz	32 MB	8	3200 MHz	120 W
7252	8 / 16	3.1 GHz	3.2 GHz	64 MB	8	3200 MHz	120 W
7262	8 / 16	3.2 GHz	3.4 GHz	128 MB	8	3200 MHz	155W
7272	12 / 24	2.9 GHz	3.2 GHz	64 MB	8	3200 MHz	120 W
7282	16 / 32	2.8 GHz	3.2 GHz	64 MB	8	3200 MHz	120 W
7302	16 / 32	3.0 GHz	3.3 GHz	128 MB	8	3200 MHz	155 W
7302P	16 / 32	3.0 GHz	3.3 GHz	128 MB	8	3200 MHz	155 W
7352	24 / 48	2.3 GHz	3.2 GHz	128 MB	8	3200 MHz	155 W
7402	24 / 48	2.8 GHz	3.35 GHz	128 MB	8	3200 MHz	180 W
7402P	24 / 48	2.8 GHz	3.35 GHz	128 MB	8	3200 MHz	180 W
7452	32 / 64	2.35 GHz	3.35 GHz	128 MB	8	3200 MHz	155 W
7502	32 / 64	2.5 GHz	3.35 GHz	128 MB	8	3200 MHz	180 W
7502P	32 / 64	2.5 GHz	3.35 GHz	128 MB	8	3200 MHz	180 W
7542	32 / 64	2.9 GHz	3.4 GHz	128 MB	8	3200 MHz	225 W
7552	48 / 96	2.2 GHz	3.3 GHz	192 MB	8	3200 MHz	200 W
7642	48 / 96	2.3 GHz	3.3 GHz	256 MH	8	3200 MHz	225 W
7702	64 / 128	2.0 GHz	3.35 GHz	256 MB	8	3200 MHz	200 W
7702P	64 / 128	2.0 GHz	3.35 GHz	256 MB	8	3200 MHz	200 W
7742	64 / 128	2.25 GHz	3.4 GHz	256 MB	8	3200 MHz	225 W

† The maximum single-core frequency at with the processor is capable of operating

Memory options

The server uses Lenovo TruDDR4 memory operating at up to 3200 MHz. The processors have 8 memory channels and support 2 DIMMs per channel, for a total of 16 DIMMs.

The server supports up to 2TB of memory using 16x 128 GB 3DS RDIMMs.

The server supports these memory DIMMs:

- 2933 MHz DIMMs, that operate at 2933 MHz both at 1 DIMM per channel and 2 DIMMs per channel
- 3200 MHz DIMMs, that operate at 3200 MHz at 1 DIMM per channel, and at 2933 MHz at 2 DIMMs per channel

Note that if the processor selected has a memory bus speed of 2666 MHz, then all DIMMs will operate at 2666 MHz, even if the DIMMs are rated for a higher speed MHz.

The following table lists the memory options that are available for the server.

Lenovo TruDDR4 memory uses the highest quality components that are sourced from Tier 1 DRAM suppliers and only memory that meets the strict requirements of Lenovo is selected. It is compatibility tested and tuned to maximize performance and reliability. From a service and support standpoint, Lenovo TruDDR4 memory automatically assumes the system warranty, and Lenovo provides service and support worldwide.

Table 14. Supported memory options

Part number	Feature code	Description	Maximum supported	Memory vendor
2933 MHz memory				
4ZC7A08739	B7MS	ThinkSystem 8GB TruDDR4 2933MHz (1Rx8 1.2V) RDIMM-A	16	Micron
4ZC7A08740	B7MT	ThinkSystem 16GB TruDDR4 2933MHz (1Rx4 1.2V) RDIMM-A	16	Hynix
4ZC7A08741	B7MU	ThinkSystem 16GB TruDDR4 2933MHz (2Rx8 1.2V) RDIMM-A	16	Hynix
4ZC7A08742	B7MV	ThinkSystem 32GB TruDDR4 2933MHz (2Rx4 1.2V) RDIMM-A	16	Samsung
4ZC7A08744	B7MW	ThinkSystem 64GB TruDDR4 2933MHz (2Rx4 1.2V) RDIMM-A	16	Samsung
4ZC7A15113	B587	ThinkSystem 128GB TruDDR4 2933MHz (4Rx4 1.2V) 3DS RDIMM	16	Samsung
3200 MHz memory				
4ZC7A15121	B5XD	ThinkSystem 16GB TruDDR4 3200MHz (2Rx8 1.2V) RDIMM-A	16	Micron
4ZC7A15122	B5XE	ThinkSystem 32GB TruDDR4 3200MHz (2Rx4 1.2V) RDIMM-A	16	Samsung
4ZC7A15124	B5XC	ThinkSystem 64GB TruDDR4 3200MHz (2Rx4 1.2V) RDIMM-A	16	Hynix

The following rules apply when selecting the memory configuration:

- The server supports RDIMMs and 3DS RDIMMs
- Mixing of RDIMMs and 3DS RDIMMs is not supported
- Mixing of DIMM vendor is supported, but not in the same channel (see the table above)
- Mixing x4 and x8 DIMMs is supported, but not in the same channel
- Mixing of DIMM rank counts is supported. Follow the required installation order installing the DIMMs with the higher rank counts first.
- Mixing of DIMM capacities is supported, however only two different capacities are supported all channels of the processor (eg 32GB and 64GB). Follow the required installation order installing the larger DIMMs first.
- Mixing of 3200 MHz and 2933 MHz DIMMs is supported, but not in the same channel
- Memory mirroring and memory rank sparing are not supported.

For best performance, consider the following:

- Ensure the memory installed is at least the same speed as the memory bus of the selected processor.
- Populate memory DIMMs in quantities of 8 or 16, so that all memory channels are used.
- Populate memory channels so they all have the same total memory capacity.

The following memory protection technologies are supported:

- ECC detection/correction
- SDDC (for x4-based memory DIMMs; look for "x4" in the DIMM description)
- Patrol/Demand Scrubbing
- DRAM Address Command Parity with Replay
- DRAM Uncorrected ECC Error Retry
- Post Package Repair

Internal storage

The SR655 supports up to 20x 3.5-inch or 32x 2.5-inch drive bays, depending on the selected chassis and backplane configuration. Drives can be all SAS, all SATA, or all NVMe, or combinations of all three (not in the same RAID array, if configured). The server also supports configurations without any drive bays if desired.

All drives are hot-swap and are accessible from the front, from the rear, or from drive bays that are located in the middle of the server (accessible when you remove the top cover of the server).

The three drive zones are as follows:

- Front: up to 12x 3.5-inch or 24x 2.5-inch, hot-swap bays
- Mid (internal): up to 4x 3.5-inch or 8x 2.5-inch, hot-swap bays
- Rear: up to 4x 3.5-inch or 4x 2.5-inch hot-swap bays

The server also supports one or two M.2 drives, installed in an M.2 adapter.

In this section:

- [NVMe drive support](#)
- [Front drive bays](#)
- [Mid drive bays](#)
- [Rear drive bays](#)
- [Supported drive bay combinations](#)
- [Adapters selections](#)
- [Field upgrades](#)
- [M.2 drives](#)

NVMe drive support

PM983 hot-swap support: To support hot-swap of PM983 NVMe drives, the server needs to have UEFI v2.0 (Build ID CFE1080) or later installed.

The SR655 supports NVMe drives to maximize storage performance, as follows:

- Up to 28 NVMe drives without oversubscription (that is, each x4 drive has a full x4 (4 lanes) connection to the processor)
 - 24 NVMe drives in the front bays
 - 4 NVMe drives in the rear bays
- Up to 32 NVMe drives with a 2:1 oversubscription (that is, each x4 drive has a x2 connection (2 lanes) to the processor)
 - 24 NVMe drives in the front bays
 - 8 NVMe drives in the mid bays
- Up to 4x NVMe drives in a 3.5-inch drive configuration
 - All installed in front bays

The specifics of these configurations plus other NVMe-rich configurations are covered in the [Supported drive bay combinations](#) and [Adapters selections](#) sections.

15mm NVMe drives: 15mm NVMe SSDs are not supported in the mid or rear drive bays due to thermal requirements. Only 7mm NVMe drives are supported in those zones.

Front drive bays

The front drive bay zone supports the following configurations:

- 3.5-inch drive bays
 - No drives and no backplane (supports field upgrades)
 - 8x 3.5-inch SAS/SATA (no upgrades)
 - 12x 3.5-inch SAS/SATA (no upgrades)

- 8x 3.5-inch SAS/SATA + 4x 3.5-inch AnyBay (AnyBay supports SAS or SATA or NVMe drives) (no upgrades)
- 2.5-inch drive bays
 - No drives and no backplane (supports field upgrades)
 - 8x 2.5-inch SAS/SATA (supports field upgrades to 16 or 24 drives)
 - 16x 2.5-inch SAS/SATA (supports field upgrades to 24 drives)
 - 24x 2.5-inch SAS/SATA (no upgrades)
 - 8x 2.5-inch NVMe (supports field upgrades to 16 or 24 drives)
 - 16x 2.5-inch NVMe (supports field upgrades to 24 drives)
 - 24x 2.5-inch NVMe (no upgrades)
 - 8x 2.5-inch NVMe + 8x 2.5-inch SAS/SATA (supports upgrade to 16x SAS/SATA)
 - 8x 2.5-inch NVMe + 16x 2.5-inch SAS/SATA (no upgrades)

These configurations are shown in the following figure.

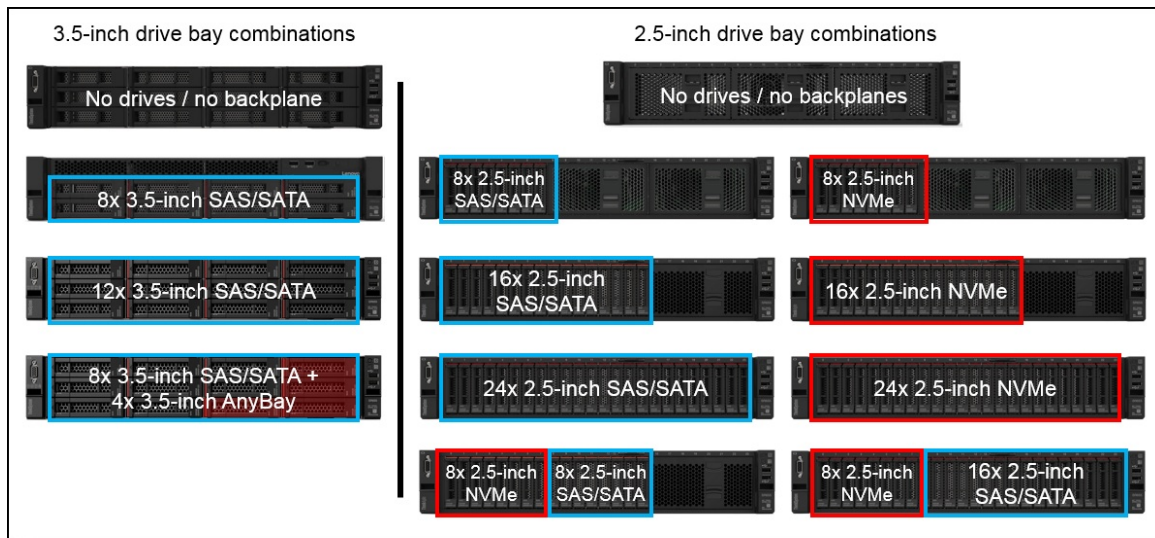


Figure 6. SR655 front drive bay configurations

The backplanes used to provide these drive bays are listed in the following table.

Table 15. Backplanes for front drive bays

Part number	Feature code	Description	Maximum supported
Front 3.5-inch drive backplanes			
See note*	AUR6	ThinkSystem 2U 3.5" SATA/SAS 8-Bay Backplane (8-bay 3.5-inch SAS/SATA backplane)	1
See note*	AUR9	ThinkSystem 2U 3.5" SATA/SAS 12-Bay Backplane (12-bay 3.5-inch SAS/SATA backplane)	1
See note*	AUR8	ThinkSystem 2U 3.5" AnyBay 12-Bay Backplane (12-bay 3.5-inch backplane with 8x SAS/SATA bays + 4x AnyBay bays†)	1
Front 2.5-inch drive backplanes			
See note*	AURA	ThinkSystem 2U/Twr 2.5" SATA/SAS 8-Bay Backplane (8-bay 2.5-inch SAS/SATA backplane)	3
See note*	B4PC	ThinkSystem 2U 2.5" NVMe 8-Bay Backplane (8-bay 2.5-inch NVMe backplane)	3

* Backplanes are available as part numbers for field upgrades using upgrade kits, as described in the [Field upgrades](#) section below.

† AnyBay bays support SAS or SATA or NVMe drives

The use of NVMe drives may limit the use of PCIe slots or M.2 drives as described in the [I/O expansion](#) section.

Mid drive bays

The SR655 supports hot-swap drives installed in the middle of the server chassis. The drive bays are accessible by removing the top lid of the server and levering the mid drive chassis.

The following configurations are supported:

- 4x 3.5-inch hot-swap SAS/SATA drive bays
- 8x 2.5-inch hot-swap SAS/SATA drive bays
- 8x 2.5-inch hot-swap NVMe drive bays

The drive bays in the open position are shown in the following figure.

Note: The figure shows an M.2 Module installed in the 2.5-inch drive bays, however installing the M.2 Module in this location is currently not supported

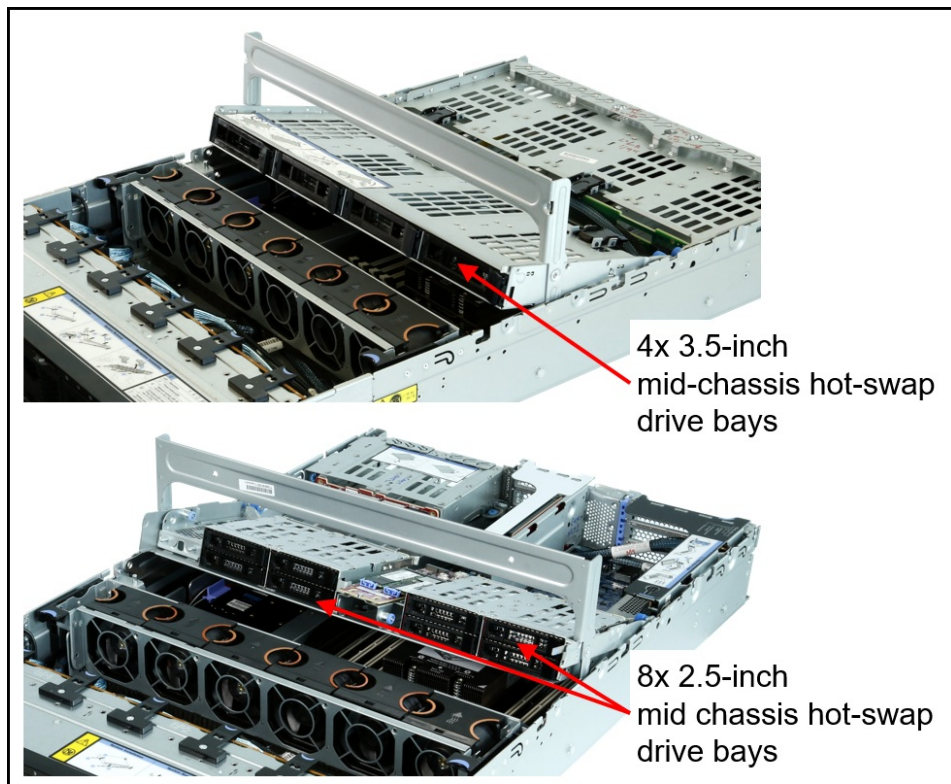


Figure 7. Mid-chassis drive bays

The backplanes used to provide these drive bays are listed in the following table.

Table 16. Backplanes for mid drive bays

Part number	Feature code	Description	Maximum supported
Mid - 3.5-inch drive backplane			
See note*	AUW8	ThinkSystem 1U 3.5" SATA/SAS 4-Bay Backplane	1
Mid - 2.5-inch drive backplanes			
See note*	B5VP	ThinkSystem SR655 2.5" SATA/SAS 4-Bay Backplane	2‡
See note*	B5VN	ThinkSystem SR635/SR655 2.5" NVMe 4-Bay Backplane	2‡

* Backplanes are available as part numbers for field upgrades using upgrade kits, as described in the [Field upgrades](#) section below.

‡ 2.5-inch drive backplanes for the mid-chassis area must be installed in pairs. NVMe and SAS/SATA cannot be mixed.

The use of drive bays in the mid-chassis area has the following configuration rules:

- Processors with TDP higher than 155W are not supported
- Full-length adapter cards are not supported
- GPUs (including low profile GPUs such as the T4) are not supported
- If 2.5-inch mid-chassis drive bays are configured then rear drive bays are not supported. See the [Supported drive bay combinations](#) section for more information.
- The use of NVMe drives in the mid bays requires to use of a PCIe retimer or switch

Rear drive bays

The SR655 supports hot-swap drives installed at the rear of the server chassis. Supported configurations are as follows:

- 4x 3.5-inch hot-swap SAS/SATA drive bays
- 4x 2.5-inch hot-swap SAS/SATA drive bays
- 4x 2.5-inch hot-swap NVMe drive bays

The configurations are shown in the following figure.

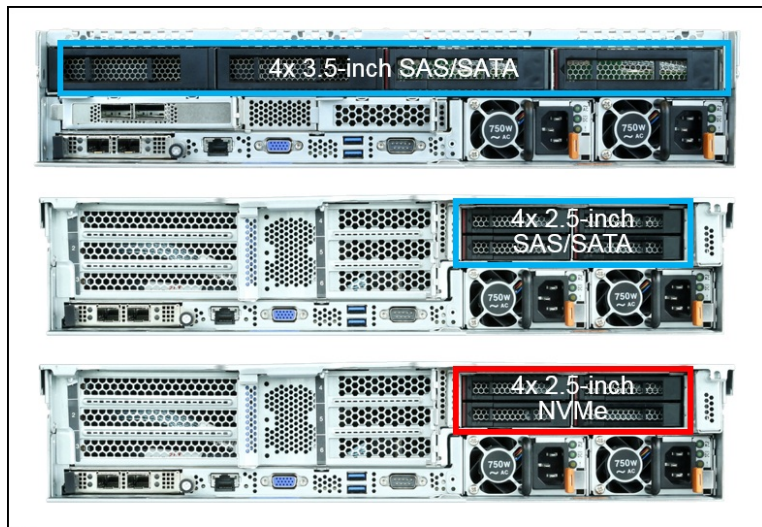


Figure 8. Rear drive bay configurations

The backplanes used to provide these drive bays are listed in the following table.

Table 17. Backplanes for rear drive bays

Part number	Feature code	Description	Maximum supported
Rear - 3.5-inch drive backplane			
See note*	AUW8	ThinkSystem 1U 3.5" SATA/SAS 4-Bay Backplane	1
Rear - 2.5-inch drive backplanes			
See note*	B5VP	ThinkSystem SR655 2.5" SATA/SAS 4-Bay Backplane	1
See note*	B5VN	ThinkSystem SR635/SR655 2.5" NVMe 4-Bay Backplane	1

* Backplanes are available as part numbers for field upgrades using upgrade kits, as described in the [Field upgrades](#) section below.

The use of rear drive bays has the following configuration rules:

- Slots 7 and 8 are not available
- GPUs are not supported
- If 3.5-inch rear drive bays are configured then only slots 3 and 6 are available, as described in the [I/O expansion](#) section
- The use of NVMe drives in rear bays requires to use of a PCIe retimer or switch

Supported drive bay combinations

This section describes the various combinations of 3.5-inch and 2.5-inch drives that the server supports. The drive bay combinations are grouped based on the drive type at the front of the server, 3.5-inch or 2.5-inch.

3.5-inch drive bay chassis

The following table shows the supported combinations when the server is configured with a 3.5-inch chassis (where the front drive bays are 3.5-inch). In this configuration:

- When the front bays are 3.5-inch bays, the mid bays are also 3.5-inch bays, however the rear zone can be either 2.5-inch SAS/SATA or 3.5-inch SAS/SATA
- NVMe is only supported in the front bays, using the AnyBay backplane (which offers 4x NVMe-capable drive bays)

The choice of storage controller for each configuration is listed in the [Adapter selections](#) section.

Table 18. Drive bay combinations with 3.5-inch chassis (Blue cells = SAS/SATA, Purple cells = AnyBay)

Config	Total drives	Front bays (3.5")		Mid bays (3.5")	Rear bays (3.5" or 2.5")	
		SAS/SATA	AnyBay	SAS/SATA	3.5" SAS/SATA	2.5" SAS/SATA
3.5-inch chassis - SAS/SATA drives only						
A	8	8	0	0	0	0
B	12	12	0	0	0	0
C	16	12	0	0	4	0
D	16	12	0	0	0	4
E	20	12	0	4	4	0
F	20	12	0	4	0	4
3.5-inch chassis - SAS/SATA and AnyBay drives						
G	12	8	4	0	0	0
H	16	8	4	0	4	0
I	16	8	4	0	0	4
J	20	8	4	4	4	0
K	20	8	4	4	0	4

2.5-inch drive bay chassis

The server has 36 drive bays in total, however up to 32 drives are supported in a configuration.

The following table shows the supported combinations when the server is configured with a 2.5-inch chassis (where the front drive bays are 2.5-inch). In this configuration:

- With the 2.5-inch chassis, all drive bays are 2.5-inch bays. No 3.5-inch drives are supported with the 2.5-inch chassis.
- Mid bays and Rear bays cannot be used concurrently

The choice of storage controller for each configuration is listed in the [Adapter selections](#) section.

Table 19. Drive bay combinations with 2.5-inch chassis (Blue cells = SAS/SATA, Red cells = NVMe)

Config	Total drives	Front bays (2.5")		Mid bays (2.5")		Rear bays (2.5")	
		SAS/SATA	NVMe	SAS/SATA	NVMe	SAS/SATA	NVMe
2.5-inch chassis - SAS/SATA drives only							
A	8	8	0	0	0	0	0
B	16	16	0	0	0	0	0
C	20	16	0	0	0	4	0
D	24	24	0	0	0	0	0
E	28	24	0	0	0	4	0
F	32	24	0	8	0	0	0
2.5-inch chassis - SAS/SATA and NVMe drives in the front bays							
G	16	8	8	0	0	0	0
H	20	8	8	0	0	4	0
I	24	16	8	0	0	0	0
J	28	16	8	0	0	4	0
K	32	16	8	8	0	0	0
2.5-inch chassis - only NVMe drives in the front bays							
L	8	0	8	0	0	0	0
M	16	0	16	0	0	0	0
N	20	0	16	0	0	4	0
O	20	0	16	0	0	0	4
P	24	0	24	0	0	0	0
Q	28	0	24	0	0	4	0
R	28	0	24	0	0	0	4
S	32	0	24	8	0	0	0
T	32	0	24	0	8	0	0

Adapter selections

The following tables lists the supported drive bay combinations plus the list of supported controller combinations supported by each of those drive bay combinations. Information about the controllers can be found in the [Controllers for internal storage](#) section.

General rules for adapters:

- The RAID 730-8i 1G cannot be used for connection to the rear drive bays
- Only the RAID 530-8i or the 430-8i HBA can be selected when a separate controller is needed for the rear drive bays
- The RAID 730-8i 2G cannot be used in the same server as the RAID 730-8i-1G or RAID 930-8i
- The M.2 Adapter is not supported in configurations of 16 or more 2.5-inch NVMe drives in the front bays
- For performance reasons, select the 1610-4P NVMe switch adapter instead of the 810-4P NVMe switch adapter, when available

Table 20. Drive bay combinations with 3.5-inch chassis (S/S = SAS/SATA) (Blue cells = SAS/SATA, Purple cells = AnyBay)

Cfg	Total drives	Front bays (3.5")		Mid bays (3.5")	Rear (3.5" or 2.5")		Supported controller combinations (choose one) (OB = Onboard)
		SAS/SATA	Any Bay	SAS/SATA	3.5" S/S	2.5" S/S	
3.5-inch chassis - SAS/SATA drives only							
A	8	8	0	0	0	0	<ul style="list-style-type: none"> • OB SATA • 530-8i • 730-8i 1G • 730-8i 2G • 930-8i • 430-8i
B	12	12	0	0	0	0	<ul style="list-style-type: none"> • OB SATA • 930-16i • 430-16i
C	16	12	0	0	4	0	<ul style="list-style-type: none"> • OB SATA • 930-16i • 930-16i + 530-8i • 430-16i • 430-16i + 430-8i
D	16	12	0	0	0	4	<ul style="list-style-type: none"> • OB SATA • 930-16i • 930-16i + 530-8i • 430-16i • 430-16i + 430-8i
E	20	12	0	4	4	0	<ul style="list-style-type: none"> • 930-24i • 930-16i + 530-8i • 430-16i + 430-8i
F	20	12	0	4	0	4	<ul style="list-style-type: none"> • 930-24i • 930-16i + 530-8i • 430-16i + 430-8i
3.5-inch chassis - SAS/SATA and AnyBay drives							
G	12	8	4	0	0	0	<ul style="list-style-type: none"> • OB SATA + OB NVMe • 930-16i + OB NVMe • 430-16i + OB NVMe
H	16	8	4	0	4	0	<ul style="list-style-type: none"> • 930-16i + OB NVMe • 930-16i + 530-8i + OB NVMe • 430-16i + OB NVMe • 430-16i + 430-8i + OB NVMe
I	16	8	4	0	0	4	<ul style="list-style-type: none"> • 930-16i + OB NVMe • 930-16i + 530-8i + OB NVMe • 430-16i + OB NVMe • 430-16i + 430-8i + OB NVMe
J	20	8	4	4	4	0	<ul style="list-style-type: none"> • 930-24i + OB NVMe • 930-16i + 530-8i + OB NVMe • 430-16i + 430-8i + OB NVMe

Cfg	Total drives	Front bays (3.5")		Mid bays (3.5")		Rear (3.5" or 2.5")		Supported controller combinations (choose one) (OB = Onboard)
		SAS/SATA	Any Bay	SAS/SATA		3.5" S/S	2.5" S/S	
K	20	8	4	4		0	4	<ul style="list-style-type: none"> • 930-24i + OB NVMe • 930-16i + 530-8i + OB NVMe • 430-16i + 430-8i + OB NVMe

Table 21. Drive bay combinations with 2.5-inch chassis (S/S = SAS/SATA) (Blue cells = SAS/SATA, Red cells = NVMe)

Cfg	Total drives	Front bays (2.5")		Mid bays (2.5")		Rear bays (2.5")		Supported controller combinations (choose one) (OB = Onboard)
		SAS/SATA	NVMe	SAS/SATA	NVMe	SAS/SATA	NVMe	
2.5-inch chassis - SAS/SATA drives only								
A	8	8	0	0	0	0	0	<ul style="list-style-type: none"> • 530-8i • 730-8i 1G • 730-8i 2G • 930-8i • 430-8i
B	16	16	0	0	0	0	0	<ul style="list-style-type: none"> • OB SATA (no M.2 support) • 930-16i • 2x 530-8i • 2x 730-8i 1G • 2x 730-8i 2G • 2x 930-8i • 430-16i • 2x 430-8i
C	20	16	0	0	0	4	0	<ul style="list-style-type: none"> • 930-24i • 930-16i + 530-8i • 3x 530-8i • 2x 730-8i 1G + 530-8i • 430-16i + 430-8i • 3x 430-8i
D	24	24	0	0	0	0	0	<ul style="list-style-type: none"> • 930-24i • 930-16i + 930-8i • 930-16i + 730-8i 2G • 930-16i + 530-8i • 930-16i + 730-8i 1G • 3x 530-8i • 3x 730-8i 1G • 430-16i + 430-8i • 3x 430-8i
E	28	24	0	0	0	4	0	<ul style="list-style-type: none"> • 930-24i + 530-8i • 4x 530-8i • 3x 730-8i + 530-8i • 4x 430-8i

Cfg	Total drives	Front bays (2.5")		Mid bays (2.5")		Rear bays (2.5")		Supported controller combinations (choose one) (OB = Onboard)
		SAS/SATA	NVMe	SAS/SATA	NVMe	SAS/SATA	NVMe	
F	32	24	0	8	0	0	0	<ul style="list-style-type: none"> • 930-24i + 530-8i • 4x 530-8i • 3x 730-8i + 530-8i • 4x 430-8i
2.5-inch chassis - SAS/SATA and NVMe drives in the front bays								
G	16	8	8	0	0	0	0	<ul style="list-style-type: none"> • OB SATA + 8x OB NVMe • 530-8i + 8x OB NVMe • 730-8i 1G + 8x OB NVMe • 730-8i 2G + 8x OB NVMe • 930-8i + 8x OB NVMe • 430-8i + 8x OB NVMe
H	20	8	8	0	0	4	0	<ul style="list-style-type: none"> • 930-16i + 8x OB NVMe • 2x 530-8i + 8x OB NVMe • 730-8i 1G + 530-8i + 8x OB NVMe • 730-8i 2G + 530-8i + 8x OB NVMe • 930-8i + 530-8i + 8x OB NVMe • 430-16i + 8x OB NVMe • 2x 430-8i + 8x OB NVMe
I	24	16	8	0	0	0	0	<ul style="list-style-type: none"> • OB SATA + 8x OB NVMe (No M.2 support) • 930-16i + 8x OB NVMe • 2x 930-8i + 8x OB NVMe • 2x 730-8i 2G + 8x OB NVMe • 2x 730-8i 1G + 8x OB NVMe • 2x 530-8i + 8x OB NVMe • 430-16i + 8x OB NVMe • 2x 430-8i + 8x OB NVMe
J	28	16	8	0	0	4	0	<ul style="list-style-type: none"> • 930-24i + 8x OB NVMe • 930-16i + 530-8i + 8x OB NVMe • 3x 530-8i + 8x OB NVMe • 2x 730-8i 1G + 530-8i + 8x OB NVMe • 430-16i + 430-8i + 8x OB NVMe
K	32	16	8	8	0	0	0	<ul style="list-style-type: none"> • 930-24i + 8x OB NVMe • 930-16i + 930-8i + 8x OB NVMe • 930-16i + 730-8i 2G + 8x OB NVMe • 930-16i + 730-8i 1G + 8x OB NVMe • 930-16i + 530-8i + 8x OB NVMe • 2x 730-8i 1G + 930-8i + 8x OB NVMe • 2x 730-8i 1G + 730-8i 2G + 8x OB NVMe • 2x 530-8i + 930-8i + 8x OB NVMe • 2x 530-8i + 730-8i 2G + 8x OB NVMe • 3x 530-8i + 8x OB NVMe • 2x 730-8i 1G + 530-8i + 8x OB NVMe • 430-16i + 430-8i + 8x OB NVMe
2.5-inch chassis - only NVMe drives in the front bays								
L	8	0	8	0	0	0	0	<ul style="list-style-type: none"> • 8x OB NVMe
M	16	0	16	0	0	0	0	<ul style="list-style-type: none"> • 16x OB NVMe (No M.2 support)

Cfg	Total drives	Front bays (2.5")		Mid bays (2.5")		Rear bays (2.5")		Supported controller combinations (choose one) (OB = Onboard)
		SAS/SATA	NVMe	SAS/SATA	NVMe	SAS/SATA	NVMe	
N	20	0	16	0	0	4	0	<ul style="list-style-type: none"> No M.2 support with any config 16x OB NVMe + 530-8i 16x OB NVMe + 430-8i
O	20	0	16	0	0	0	4	<ul style="list-style-type: none"> No M.2 support 16x OB NVMe + 1x 1610-4P 16x OB NVMe + 1x 810-4P*
P	24	0	24	0	0	0	0	<ul style="list-style-type: none"> No M.2 support 16x OB NVMe + 2x 1610-4P 16x OB NVMe + 2x 810-4P*
Q	28	0	24	0	0	4	0	<ul style="list-style-type: none"> No M.2 support with any config 16x OB NVMe + 2x 1610-4P + 530-8i 16x OB NVMe + 2x 1610-4P + 430-8i 16x OB NVMe + 2x 810-4P + 530-8i* 16x OB NVMe + 2x 810-4P + 430-8i*
R	28	0	24	0	0	0	4	<ul style="list-style-type: none"> No M.2 support 16x OB NVMe + 3x 1610-4P 16x OB NVMe + 3x 810-4P*
S	32	0	24	8	0	0	0	<ul style="list-style-type: none"> No M.2 support with any config 16x OB NVMe + 2x 1610-4P + 930-8i 16x OB NVMe + 2x 1610-4P + 730-8i 2G 16x OB NVMe + 2x 1610-4P + 730-8i 1G 16x OB NVMe + 2x 1610-4P + 530-8i 16x OB NVMe + 2x 1610-4P + 430-8i 16x OB NVMe + 2x 810-4P + 930-8i* 16x OB NVMe + 2x 810-4P + 730-8i 2G* 16x OB NVMe + 2x 810-4P + 730-8i 1G* 16x OB NVMe + 2x 810-4P + 530-8i* 16x OB NVMe + 2x 810-4P + 430-8i*
T	32	0	24	0	8	0	0	<ul style="list-style-type: none"> No M.2 support 16x OB NVMe + 4x 810-4P*

* The use of the 810-4P results in PCIe lane oversubscription. For better NVMe drive performance without oversubscription, use a 1610-4P instead (not supported in configuration T)

Field upgrades

The following table lists the option part numbers for the backplane kits that allow you to add additional drive bays as field upgrades. The table also lists what major components are included in each kit.

When adding drive bays, you will also need to add the appropriate storage controller(s). Consult the tables in the [Adapter selections](#) section to determine what controller sections are supported and what additional controllers you will need. Controllers are described in the [Controllers for internal storage](#) section.

Table 22. Drive backplane field upgrades

Part number	Description and contents of the upgrade kits	Maximum supported
Front - 3.5-inch drive backplanes (see Front drive bays)		

Part number	Description and contents of the upgrade kits	Maximum supported
4XH7A09829	ThinkSystem SR655 3.5" SATA/SAS 8-Bay Backplane Kit <ul style="list-style-type: none"> • 1x 8-bay SAS/SATA backplane • SATA Cable Kit (power and SATA cables) • SAS/SATA Cable Kit (power cable, miniSAS-HD cable) 	1
4XH7A09830	ThinkSystem SR655 3.5" SATA/SAS 12-Bay Backplane Kit <ul style="list-style-type: none"> • 1x 12-bay SAS/SATA backplane • SATA Cable Kit (power and SATA cables) • SAS/SATA Cable Kit (power cable, miniSAS-HD cable) 	1
4XH7A09831	ThinkSystem SR655 3.5" 4 Gen3 AnyBay 12-Bay BP Kit (12-bay 3.5-inch backplane with 8x SAS/SATA bays + 4x AnyBay bays†) <ul style="list-style-type: none"> • 1x 12-bay AnyBay backplane • SATA Cable Kit (power and SATA cables) • SAS/SATA Cable Kit (power cable, miniSAS-HD cable) • NVMe cable (x8-to-two-x4-slimline cable) 	1
Front - 2.5-inch drive backplanes (see Front drive bays)		
4XH7A09832	ThinkSystem SR655 2.5" SATA/SAS 8-Bay Backplane Kit <ul style="list-style-type: none"> • 1x 8-bay SAS/SATA backplane • SATA Cable Kits (power and SATA cables) • SAS/SATA Cable Kits (power cables, miniSAS-HD cables) 	3
4XH7A09833	ThinkSystem SR655 2.5" NVMe Gen4 8-Bay Backplane Kit <ul style="list-style-type: none"> • 1x 8-bay NVMe backplane • NVMe Cable Kits (power and x8 slimline cables) 	3
Mid - 3.5-inch drive backplane (see Mid drive bays)		
4XH7A09850	ThinkSystem SR655 3.5" SATA/SAS 4-Bay Middle Drive Kit <ul style="list-style-type: none"> • Mid-chassis 3.5-inch drive cage • 4-bay 3.5-inch SAS/SATA backplane • 1U Performance Heatsink (replaces existing heatsink) • 6x Performance fans (replaces existing fans) • Air baffle (replace existing baffle) • SAS/SATA Cable Kit (power cable, miniSAS-HD cable) 	1
Mid - 2.5-inch drive backplanes (see Mid drive bays)		
4XH7A09854	ThinkSystem SR655 2.5" SATA/SAS 8-Bay Middle Drive Kit <ul style="list-style-type: none"> • Mid-chassis 2.5-inch drive cage • 2x 4-bay 2.5-inch SAS/SATA backplane • 1U Performance Heatsink (replaces existing heatsink) • 6x Performance fans (replaces existing fans) • Air baffle (replace existing baffle) • 2x SAS/SATA Cable Kits (power cable, miniSAS-HD cable) 	1

Part number	Description and contents of the upgrade kits	Maximum supported
4XH7A09857	ThinkSystem SR655 2.5" NVMe Gen4 8-Bay Middle Drive Kit <ul style="list-style-type: none"> • Mid-chassis 2.5-inch drive cage • 2x 4-bay 2.5-inch NVMe backplane • 1U Performance Heatsink (replaces existing heatsink) • 6x Performance fans (replaces existing fans) • Air baffle (replace existing baffle) • 2x NVMe Cable Kits (power cable, signal cable) 	1
Rear - 3.5-inch drive backplane (see Rear drive bays)		
4XH7A09851	ThinkSystem SR655 3.5" SATA/SAS 4-Bay Rear Drive Kit <ul style="list-style-type: none"> • Rear 3.5-inch drive cage • 4-bay 3.5-inch SAS/SATA rear backplane • PCIe Riser 1 riser (provides x16 slot 3 only) • PCIe Riser 2 riser (provides x16 slot 6 only) • 6x Performance fans (replaces existing fans) • SATA Cable Kit (power cable, SATA cable) • SAS/SATA Cable Kit (power cable, miniSAS-HD cable) 	1
Rear - 2.5-inch drive backplanes (see Rear drive bays)		
4XH7A09855	ThinkSystem SR655 2.5" SATA/SAS 4-Bay Rear Drive Kit <ul style="list-style-type: none"> • Rear 2.5-inch drive cage • 4-bay 2.5-inch SAS/SATA rear backplane • PCIe Riser 2 riser bracket (converts existing 3-slot riser to low profile slots) • 6x Performance fans (replaces existing fans) • SATA Cable Kit (power cable, SATA cable) • SAS/SATA Cable Kit (power cable, miniSAS-HD cable) 	1
4XH7A09858	ThinkSystem SR655 2.5" NVMe Gen4 4-Bay Rear Drive Kit <ul style="list-style-type: none"> • Rear 2.5-inch drive cage • 4-bay 2.5-inch NVMe rear backplane • PCIe Riser 2 riser bracket (converts existing 3-slot riser to low profile slots) • 6x Performance fans (replaces existing fans) • NVM Cable Kit (power cable, signal cables) 	1

† AnyBay bays support SAS or SATA or NVMe drives

If you plan to add one of the RAID adapters that includes a Flash power module (supercap) as a field upgrade, then you will also need to order a Supercap installation kit for the power module. For CTO orders, the components in the installation kit are automatically derived when you select the RAID adapter. The adapters that this applies to are as follows:

- ThinkSystem RAID 730-8i 2GB Flash PCIe 12Gb Adapter
- ThinkSystem RAID 930-8i 2GB Flash PCIe 12Gb Adapter
- ThinkSystem RAID 930-16i 4GB Flash PCIe 12Gb Adapter
- ThinkSystem RAID 930-24i 4GB Flash PCIe 12Gb Adapter

The power module installation kit list listed in the following table.

Table 23. RAID Flash Power Module installation kit

Part number	Feature code	Description
4XH7A09847	B72A	ThinkSystem SR635/SR655 Supercap Installation Kit <ul style="list-style-type: none"> • 1x Bracket to hold two supercaps in their holders • 3x Supercap holders

The following figure shows the location and use of the components of the option kit.

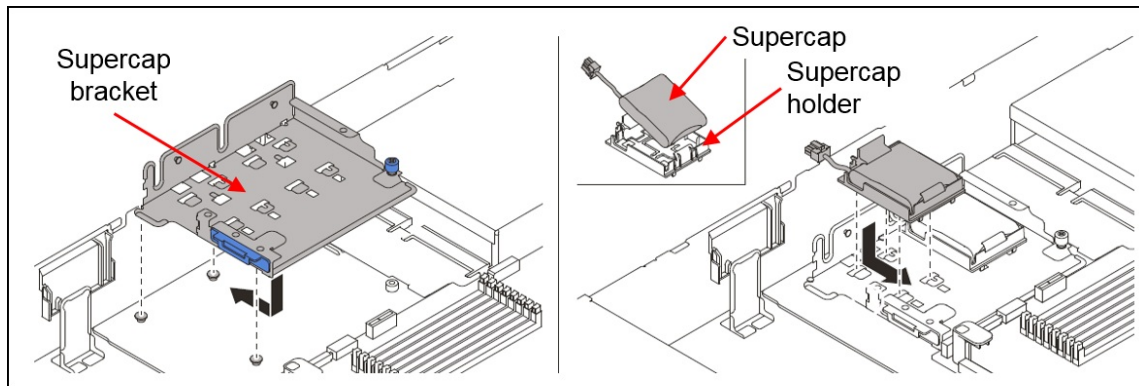


Figure 9. Supercap Installation Kit

If your existing server is configured with drive backplanes that are connected to onboard SATA ports and you wish to upgrade to a RAID adapter or SAS HBA, you will need to order the cable kit listed in the following table along with the adapter(s). The cable kit includes the additional cables you will need to connect the existing backplane to the new adapter. Note that the kit includes the cables needed for all supported combinations of backplanes; this means that some of the cables in the kit will not be used.

Table 24. RAID adapter cable kit for servers with backplanes

Part number	Feature code	Description
4X97A59750	BCCD	ThinkSystem SR655 SAS Cable Kit, contains four cables: <ul style="list-style-type: none"> • Front BP SAS/SATA Combo Cable A, SC17A59349 • 800mm MiniSAS-HD to MiniSAS-HD Cable C, SC17A50746 • 600mm Slimline 4X RA to Slimline4X, SC17A50708 • 445mm HBA HD to HD Cable A, SC17A50738

The cables in the kit are used with existing backplanes as listed in the following table.

Table 25. Use of SR655 SAS Cable Kit

Existing backplane	Needed cables
Front 3.5-inch 8x SAS/SATA Backplane	Front BP SAS/SATA Combo Cable A, SC17A59349
Front 3.5-inch 12x SAS/SATA Backplane	Front BP SAS/SATA Combo Cable A, SC17A59349 800mm MiniSAS-HD to MiniSAS-HD Cable C, SC17A50746
Front 3.5-inch 8x SAS/SATA+4xAnyBay Backplane	Front BP SAS/SATA Combo Cable A, SC17A59349 600mm Slimline 4X RA to Slimline4X, SC17A50708
Front 2.5-inch 8x SAS/SATA Backplane (order 1 cable kit per 8-drive backplane installed)	Front BP SAS/SATA Combo Cable A, SC17A59349
Rear 3.5-inch 4x SAS/SATA Backplane	445mm HBA HD to HD Cable A, SC17A50738
Rear 2.5-inch 4x SAS/SATA Backplane	445mm HBA HD to HD Cable A, SC17A50738

M.2 drives

The server supports one or two M.2 form-factor SATA drives for use as an operating system boot solution or as additional storage. The M.2 drives install into an M.2 module which is mounted horizontally in the server adjacent to the internal storage controller slot as shown in the [Components and connectors](#) section.

The use of M.2 drives in the SR655 requires the use of the performance fans for enhanced cooling. See the [Cooling](#) section for ordering information. In CTO orders, the performance fans will be automatically derived in the order.

No M.2 support: An M.2 Adapter is not supported in configurations of 16 or more 2.5-inch NVMe drives in the front bays.

There are two M.2 modules supported, as listed in the following table. The table also includes the cable kit needed for field upgrades.

Field upgrades: When ordering either option part number as a field upgrade, you will also need to order the M.2 Cable Kit which includes the necessary cables to connect the M.2 modules to the server. For CTO orders, the cable kit is not required; the cable and brackets are automatically included in the order. For field upgrades, you will also need to order the performance fans if they are not already installed in your server. See the [Cooling](#) section for ordering information.

Table 26. M.2 modules

Part number	Feature code	Description	Maximum supported
4Y37A09739	B5XH	ThinkSystem M.2 SATA 2-Bay RAID Enablement Kit	1
4Y37A09738	B5XJ	ThinkSystem M.2 SATA/NVMe 2-Bay Enablement Kit	1
4X97A59730	None	ThinkSystem SR635/SR655 M.2 Cable Kit (only needed for field upgrade to add 4Y37A09739 or 4Y37A09738) <ul style="list-style-type: none"> • Bracket to mount the M.2 module • Bracket for two supercap modules • M.2 signal/power cable 	1

Supported drives are listed in the [Internal drive options](#) section.

The SATA RAID Enablement Kit has the following features:

- Supports one or two SATA M.2 drives
- Support 42mm, 60mm and 80mm drive form factors (2242, 2260 and 2280)
- RAID support via an onboard Marvell 88SE9230 SATA RAID Controller

- Support JBOD, RAID-0 and RAID-1 (RAID support requires two M.2 drives)
- PCIe 2.0 x2 host interface; 6Gbps SATA connection to the drives
- Management and configuration support via UEFI and OS-based tools
- Supports monitoring and reporting of events and temperature through I2C
- Firmware update via Lenovo firmware update tools

The SATA/NVMe Enablement Kit has the following features:

- Supports one or two M.2 drives, either SATA or NVMe
- When two drives installed, they must be either both SATA or both NVMe
- Support 42mm, 60mm and 80mm drive form factors (2242, 2260 and 2280)
- JBOD support only; no RAID support
- Either 6Gbps SATA or PCIe 3.0 x4 interface to the drives depending on the drives installed
- Supports monitoring and reporting of events and temperature through I2C
- Firmware update via Lenovo firmware update tools

For further details about M.2 components, see the *ThinkSystem M.2 Drives and M.2 Adapters* product guide: <https://lenovopress.com/lp0769-thinksystem-m2-drives-adapters>

Controllers for internal storage

The SR655 offers a variety of controller options for internal drives:

- Onboard SATA ports for up to 16 SATA drives
- RAID adapters and HBAs for SAS/SATA drives
- Onboard NVMe ports (for up to 16 NVMe drives)
- NVMe adapters for configurations of 20 or more NVMe drives

The following table lists the adapters used for the internal storage of the server.

RAID 530-8i firmware: If you plan to use the RAID 530-8i in the SR655, it must have firmware 50.3.0-1032 or later applied before it can be used in the server. If the adapter you plan to use has older firmware (for example, you are using an adapter you previously purchased), it must first be upgraded by installing it in another server and upgrading the firmware there. For more information, see [Support tip HT509177](#).

Table 27. Internal Storage adapter support

Part number	Feature code	Description	Power module (supercap)	Slots supported	Maximum supported
SAS/SATA RAID					
7Y37A01082	AUNG	ThinkSystem RAID 530-8i PCIe 12Gb Adapter	No	9,1-6	4
7Y37A01083*	AUNH*	ThinkSystem RAID 730-8i 1GB Cache PCIe 12Gb Adapter	No	9,1-6	3
4Y37A09722	B4RQ	ThinkSystem RAID 730-8i 2GB Flash PCIe 12Gb Adapter	Included	9,1-6	3
7Y37A01084	AUNJ	ThinkSystem RAID 930-8i 2GB Flash PCIe 12Gb Adapter	Included	9,1-6	3
7Y37A01085	AUNK	ThinkSystem RAID 930-16i 4GB Flash PCIe 12Gb Adapter	Included	1-6	1
7Y37A01086	AUV1	ThinkSystem RAID 930-24i 4GB Flash PCIe 12Gb Adapter	Included	1-5**	1
SAS/SATA HBA					
7Y37A01088	AUNL	ThinkSystem 430-8i SAS/SATA 12Gb HBA	No	9,1-6	4
7Y37A01089	AUNM	ThinkSystem 430-16i SAS/SATA 12Gb HBA	No	1-6	2
NVMe					
CTO only	B22D	ThinkSystem 810-4P NVMe Switch Adapter	No	1,4,5,6	4
CTO only	BA4N	ThinkSystem 1610-4P NVMe Switch Adapter	No	1,4,5	3

* The RAID 730-8i 1GB Cache adapter is not available in USA and Canada.

** When 4x3.5" rear drive bays are configured, the 930-24i can only be installed in slot 3. When 4x2.5" rear drive bays are configured, the 930-24i can only be installed in slots 1 or 2.

Field upgrades: If you are adding a RAID adapter to the SR655 as a field upgrade, you may need a Supercap Installation Kit as described in the [Field upgrades](#) section.

The following two tables compare the functions of the storage adapters.

Table 28. Comparison of internal storage controllers - RAID controllers

Feature	RAID 530-8i	RAID 730-8i 1GB**	RAID 730-8i 2GB	RAID 930-8i	RAID 930-16i
Adapter type	RAID controller	RAID controller	RAID controller	RAID controller	RAID controller
Part number	7Y37A01082	7Y37A01083	4Y37A09722	7Y37A01084	7Y37A01085 4Y37A09721
Form factor	PCIe HHHL	PCIe low profile	PCIe low profile	PCIe HHHL	PCIe HHHL
Controller chip	LSI SAS3408	LSI SAS3108	LSI SAS3108	LSI SAS3508	LSI SAS3516
Broadcom equivalent	MegaRAID 9440-8i	MegaRAID 9361-8i	MegaRAID 9361-8i	MegaRAID 9460-8i	MegaRAID 9460-16i
Host interface	PCIe 3.0x8	PCIe 3.0x8	PCIe 3.0x8	PCIe 3.0x8	PCIe 3.0x8
Port interface	12 Gb SAS	12 Gb SAS	12 Gb SAS	12 Gb SAS	12 Gb SAS
Number of ports	8	8	8	8	16
Port connectors	2x Mini-SAS HD x4 (SFF-8643)	2x Mini-SAS HD x4 (SFF-8643)	2x Mini-SAS HD x4 (SFF-8643)	2x Mini-SAS HD x4 (SFF-8643)	4x Mini-SAS HD x4 (SFF-8643)
Drive interface	SAS, SATA	SAS, SATA	SAS, SATA	SAS, SATA	SAS, SATA
Drive type	HDD, SED, SSD	HDD, SSD	HDD, SED, SSD	HDD, SED, SSD	HDD, SED, SSD
Hot-swap drives	Yes	Yes	Yes	Yes	Yes
Max devices	8	8	8	8	16
RAID levels	0, 1, 10, 5, 50	0, 1, 10, 5, 50	0, 1, 10, 5, 50, 6, 60	0, 1, 10, 5, 50, 6, 60	0, 1, 10, 5, 50, 6, 60
JBOD mode	Yes	Yes	Yes	Yes	Yes
Cache	None	1GB (Standard)	2GB (Standard)	2GB (Standard)	4GB or 8GB (Standard)
CacheVault cache protection	No	No	Yes (Flash)	Yes (Flash)	Yes (Flash)
Performance Accelerator (FastPath)	Yes	No	Yes	Yes	Yes
SSD Caching (CacheCade Pro 2.0)	No	No	No	No	No
SED support*	Yes	No	Yes	Yes	Yes

* SAS HBAs support SEDs (self-encrypting drives) by using software on the server and simply passing SED commands through the HBA to the drives. SED support by RAID controllers is provided using the built-in MegaRAID SafeStore functionality of the adapter.

** The RAID 730-8i 1GB Cache adapter is not available in USA and Canada.

Table 29. Comparison of internal storage controllers - HBAs and NVMe switches

Feature	430-8i	430-16i	810-4P NVMe	1610-4P NVMe
Adapter type	HBA	HBA	NVMe switch	NVMe switch
Part number	7Y37A01088	7Y37A01089	4Y37A09719	7Y37A01081
Form factor	PCIe low profile	PCIe low profile	PCIe low profile	PCIe low profile
Controller chip	LSI SAS3408	LSI SAS3416	Broadcom PEX9733	Broadcom PEX9733
Broadcom equivalent	HBA 9400-8i	HBA 9400-16i	P310W-4P	P310W-4P
Host interface	PCIe 3.0 x8	PCIe 3.0 x8	PCIe 3.0 x8	PCIe 3.0 x16
Port interface	12 Gb SAS	12 Gb SAS	PCIe NVMe	PCIe NVMe
Number of ports	8	16	4	4
Port connectors	2x Mini-SAS HD x4 (SFF-8643)	4x Mini-SAS HD x4 (SFF-8643)	4x Mini-SAS HD x4 (SFF-8643)	4x Mini-SAS HD x4 (SFF-8643)
Drive interface	SAS, SATA	SAS, SATA	NVMe	NVMe
Drive type	HDD, SSD, SED*	HDD, SSD, SED*	SSD	SSD
Hot-swap drives	Yes	Yes	Yes	Yes
Max devices	8	16	4	4
RAID levels	No RAID	No RAID	None	None
JBOD mode	Yes	Yes	Yes	Yes
Cache	No	No	None	None
CacheVault cache protection with Flash	No	No	No	No
Performance Accelerator (FastPath)	No	No	No	No
SSD Caching (CacheCade Pro 2.0)	No	No	No	No
SED support*	Yes	Yes	No	No

* SAS HBAs support SEDs (self-encrypting drives) by using software on the server and simply passing SED commands through the HBA to the drives. SED support by RAID controllers is provided using the built-in MegaRAID SafeStore functionality of the adapter.

For more information about the adapters see the product guides in the RAID adapters or HBA sections of the Lenovo Press web site:

<https://lenovopress.com/servers/options/raid>

<https://lenovopress.com/servers/options/hba>

Internal drive options

The following tables list the hard disk drive and solid-state drive options for the internal disk storage of the server.

- Table 30: [2.5-inch hot-swap 12 Gb SAS HDDs](#)
- Table 31: [2.5-inch hot-swap 6 Gb SAS/SATA HDDs](#)
- Table 32: [2.5-inch hot-swap 12 Gb SAS SSDs](#)
- Table 33: [2.5-inch hot-swap 6 Gb SAS/SATA SSDs](#)
- Table 34: [2.5-inch U.2 NVMe SSDs](#)
- Table 35: [3.5-inch hot-swap 12 Gb SAS HDDs](#)
- Table 36: [3.5-inch hot-swap 6 Gb SAS/SATA HDDs](#)
- Table 37: [3.5-inch hot-swap 12 Gb SAS SSDs](#)
- Table 38: [3.5-inch hot-swap 6 Gb SAS/SATA SSDs](#)
- Table 39: [3.5-inch NVMe SSDs](#)
- Table 40: [M.2 drives](#)

Tip: The use of M.2 drives requires an additional adapter as described in the [M.2 drives](#) subsection.

Table 30. 2.5-inch hot-swap 12 Gb SAS HDDs

Part number	Feature	Description	Maximum supported
2.5-inch hot-swap HDDs - 12 Gb SAS 10K			
7XB7A00024	AULY	ThinkSystem 2.5" 300GB 10K SAS 12Gb Hot Swap 512n HDD	32
7XB7A00025	AULZ	ThinkSystem 2.5" 600GB 10K SAS 12Gb Hot Swap 512n HDD	32
7XB7A00026	AUM0	ThinkSystem 2.5" 900GB 10K SAS 12Gb Hot Swap 512n HDD	32
7XB7A00027	AUM1	ThinkSystem 2.5" 1.2TB 10K SAS 12Gb Hot Swap 512n HDD	32
7XB7A00028	AUM2	ThinkSystem 2.5" 1.8TB 10K SAS 12Gb Hot Swap 512e HDD	32
7XB7A00069	B0YS	ThinkSystem 2.5" 2.4TB 10K SAS 12Gb Hot Swap 512e HDD	32
2.5-inch hot-swap HDDs - 12 Gb SAS 15K			
7XB7A00021	AULV	ThinkSystem 2.5" 300GB 15K SAS 12Gb Hot Swap 512n HDD	32
7XB7A00022	AULW	ThinkSystem 2.5" 600GB 15K SAS 12Gb Hot Swap 512n HDD	32
7XB7A00023	AULX	ThinkSystem 2.5" 900GB 15K SAS 12Gb Hot Swap 512e HDD	32
2.5-inch hot-swap HDDs - 12 Gb NL SAS			
7XB7A00034	AUM6	ThinkSystem 2.5" 1TB 7.2K SAS 12Gb Hot Swap 512n HDD	32
7XB7A00035	AUM7	ThinkSystem 2.5" 2TB 7.2K SAS 12Gb Hot Swap 512n HDD	32
2.5-inch hot-swap SED HDDs - 12 Gb SAS 10K			
7XB7A00031	AUM5	ThinkSystem 2.5" 600GB 10K SAS 12Gb Hot Swap 512n HDD SED	32

Table 31. 2.5-inch hot-swap 6 Gb SAS/SATA HDDs

Part number	Feature	Description	Maximum supported
2.5-inch hot-swap HDDs - 6 Gb NL SATA			
7XB7A00036	AUUE	ThinkSystem 2.5" 1TB 7.2K SATA 6Gb Hot Swap 512n HDD	32
7XB7A00037	AUUJ	ThinkSystem 2.5" 2TB 7.2K SATA 6Gb Hot Swap 512e HDD	32

Table 32. 2.5-inch hot-swap 12 Gb SAS SSDs

Part number	Feature	Description	Maximum supported
2.5-inch hot-swap SSDs - 12 Gb SAS - Performance (10+ DWPD)			
4XB7A10219	B4Y4	ThinkSystem 2.5" SS530 400GB Performance SAS 12Gb Hot Swap SSD	32
4XB7A10230	B4Y5	ThinkSystem 2.5" SS530 800GB Performance SAS 12Gb Hot Swap SSD	32
4XB7A10231	B4Y6	ThinkSystem 2.5" SS530 1.6TB Performance SAS 12Gb Hot Swap SSD	32
4XB7A10232	B4Y7	ThinkSystem 2.5" SS530 3.2TB Performance SAS 12Gb Hot Swap SSD	32
2.5-inch hot-swap SSDs - 12 Gb SAS - Mainstream (3-5 DWPD)			
4XB7A17062	B8HU	ThinkSystem 2.5" PM1645a 800GB Mainstream SAS 12Gb Hot Swap SSD	32
4XB7A17063	B8J4	ThinkSystem 2.5" PM1645a 1.6TB Mainstream SAS 12Gb Hot Swap SSD	32
4XB7A17064	B8JD	ThinkSystem 2.5" PM1645a 3.2TB Mainstream SAS 12Gb Hot Swap SSD	32
2.5-inch hot-swap SSDs - 12 Gb SAS - Entry / Capacity (<3 DWPD)			
4XB7A38175	B91A	ThinkSystem 2.5" PM1643a 960GB Entry SAS 12Gb Hot Swap SSD	32
4XB7A38176	B91B	ThinkSystem 2.5" PM1643a 1.92TB Entry SAS 12Gb Hot Swap SSD	32
4XB7A17054	B91C	ThinkSystem 2.5" PM1643a 3.84TB Entry SAS 12Gb Hot Swap SSD	32
4XB7A17055	B91D	ThinkSystem 2.5" PM1643a 7.68TB Entry SAS 12Gb Hot Swap SSD	32

Table 33. 2.5-inch hot-swap 6 Gb SAS/SATA SSDs

Part number	Feature	Description	Maximum supported
2.5-inch hot-swap SSDs - 6 Gb SATA - Mainstream (3-5 DWPD)			
4XB7A17087	B8J1	ThinkSystem 2.5" 5300 240GB Mainstream SATA 6Gb Hot Swap SSD	32
4XB7A17088	B8HY	ThinkSystem 2.5" 5300 480GB Mainstream SATA 6Gb Hot Swap SSD	32
4XB7A17089	B8J6	ThinkSystem 2.5" 5300 960GB Mainstream SATA 6Gb Hot Swap SSD	32
4XB7A17090	B8JE	ThinkSystem 2.5" 5300 1.92TB Mainstream SATA 6Gb Hot Swap SSD	32
4XB7A17091	B8J7	ThinkSystem 2.5" 5300 3.84TB Mainstream SATA 6Gb Hot Swap SSD	32
4XB7A13633	B49L	ThinkSystem 2.5" Intel S4610 240GB Mainstream SATA 6Gb Hot Swap SSD	32
4XB7A13634	B49M	ThinkSystem 2.5" Intel S4610 480GB Mainstream SATA 6Gb Hot Swap SSD	32
4XB7A13635	B49N	ThinkSystem 2.5" Intel S4610 960GB Mainstream SATA 6Gb Hot Swap SSD	32
4XB7A13636	B49P	ThinkSystem 2.5" Intel S4610 1.92TB Mainstream SATA 6Gb Hot Swap SSD	32
4XB7A13637	B49Q	ThinkSystem 2.5" Intel S4610 3.84TB Mainstream SATA 6Gb Hot Swap SSD	32
4XB7A10238	B489	ThinkSystem 2.5" 5200 480GB Mainstream SATA 6Gb Hot Swap SSD	32
4XB7A10239	B48A	ThinkSystem 2.5" 5200 960GB Mainstream SATA 6Gb Hot Swap SSD	32
2.5-inch hot-swap SSDs - 6 Gb SATA - Entry (<3 DWPD)			
4XB7A17075	B8HV	ThinkSystem 2.5" 5300 240GB Entry SATA 6Gb Hot Swap SSD	32
4XB7A17076	B8JM	ThinkSystem 2.5" 5300 480GB Entry SATA 6Gb Hot Swap SSD	32
4XB7A17077	B8HP	ThinkSystem 2.5" 5300 960GB Entry SATA 6Gb Hot Swap SSD	32
4XB7A17078	B8J5	ThinkSystem 2.5" 5300 1.92TB Entry SATA 6Gb Hot Swap SSD	32
4XB7A17079	B8JP	ThinkSystem 2.5" 5300 3.84TB Entry SATA 6Gb Hot Swap SSD	32
4XB7A17080	B8J2	ThinkSystem 2.5" 5300 7.68TB Entry SATA 6Gb Hot Swap SSD	32
4XB7A38185	B9AC	ThinkSystem 2.5" 5210 960GB Entry SATA 6Gb Hot Swap QLC SSD	32
4XB7A38144	B7EW	ThinkSystem 2.5" 5210 1.92TB Entry SATA 6Gb Hot Swap QLC SSD	32
4XB7A38145	B7EX	ThinkSystem 2.5" 5210 3.84TB Entry SATA 6Gb Hot Swap QLC SSD	32
4XB7A38146	B7EY	ThinkSystem 2.5" 5210 7.68TB Entry SATA 6Gb Hot Swap QLC SSD	32
4XB7A10247	B498	ThinkSystem 2.5" Intel S4510 240GB Entry SATA 6Gb Hot Swap SSD	32
4XB7A10248	B499	ThinkSystem 2.5" Intel S4510 480GB Entry SATA 6Gb Hot Swap SSD	32
4XB7A10249	B49A	ThinkSystem 2.5" Intel S4510 960GB Entry SATA 6Gb Hot Swap SSD	32
4XB7A13622	B49B	ThinkSystem 2.5" Intel S4510 1.92TB Entry SATA 6Gb Hot Swap SSD	32
4XB7A13623	B49C	ThinkSystem 2.5" Intel S4510 3.84TB Entry SATA 6Gb Hot Swap SSD	32
4XB7A10153	B2X2	ThinkSystem 2.5" 5200 480GB Entry SATA 6Gb Hot Swap SSD	32
4XB7A10154	B2X3	ThinkSystem 2.5" 5200 960GB Entry SATA 6Gb Hot Swap SSD	32
4XB7A10155	B2X4	ThinkSystem 2.5" 5200 1.92TB Entry SATA 6Gb Hot Swap SSD	32
4XB7A10156	B2X5	ThinkSystem 2.5" 5200 3.84TB Entry SATA 6Gb Hot Swap SSD	32
4XB7A10157	B2X6	ThinkSystem 2.5" 5200 7.68TB Entry SATA 6Gb Hot Swap SSD	32

Table 34. 2.5-inch U.2 NVMe SSDs

Part number	Feature	Description	Maximum supported
2.5-inch SSDs - NVMe - Mainstream (3-5 DWPD)			
4XB7A13936	B589	ThinkSystem U.2 Intel P4610 1.6TB Mainstream NVMe PCIe 3.0 x4 Hot Swap SSD	24*
4XB7A13937	B58A	ThinkSystem U.2 Intel P4610 3.2TB Mainstream NVMe PCIe 3.0 x4 Hot Swap SSD	24*
4XB7A13938	B58B	ThinkSystem U.2 Intel P4610 6.4TB Mainstream NVMe PCIe 3.0 x4 Hot Swap SSD	24*
4XB7A08516	B21W	ThinkSystem U.2 Toshiba CM5-V 800GB Mainstream NVMe PCIe 3.0 x4 Hot Swap SSD	24*
4XB7A08517	B21X	ThinkSystem U.2 Toshiba CM5-V 1.6TB Mainstream NVMe PCIe 3.0 x4 Hot Swap SSD	24*
4XB7A08518	B21Y	ThinkSystem U.2 Toshiba CM5-V 3.2TB Mainstream NVMe PCIe 3.0 x4 Hot Swap SSD	24*
4XB7A08519	B2XJ	ThinkSystem U.2 Toshiba CM5-V 6.4TB Mainstream NVMe PCIe 3.0 x4 Hot Swap SSD	24*
2.5-inch SSDs - NVMe - Entry (<3 DWPD)			
4XB7A10202	B58F	ThinkSystem U.2 Intel P4510 1.0TB Entry NVMe PCIe 3.0 x4 Hot Swap SSD	24*
4XB7A10204	B58G	ThinkSystem U.2 Intel P4510 2.0TB Entry NVMe PCIe 3.0 x4 Hot Swap SSD	24*
4XB7A10205	B58H	ThinkSystem U.2 Intel P4510 4.0TB Entry NVMe PCIe 3.0 x4 Hot Swap SSD	24*
4XB7A08513	B58J	ThinkSystem U.2 Intel P4510 8.0TB Entry NVMe PCIe 3.0 x4 Hot Swap SSD	24*
4XB7A10175	B34N	ThinkSystem U.2 PM983 1.92TB Entry NVMe PCIe 3.0 x4 Hot Swap SSD	32
4XB7A10176	B34P	ThinkSystem U.2 PM983 3.84TB Entry NVMe PCIe 3.0 x4 Hot Swap SSD	32
4XB7A10177	B4D3	ThinkSystem U.2 PM983 7.68TB Entry NVMe PCIe 3.0 x4 Hot Swap SSD	32

* Toshiba CM5-V, Intel P4610 and Intel P4510 drives are 15mm high drives and are only supported in the front drive bays due to thermal requirements

Note: NVMe PCIe SSDs support informed hot removal and hot insertion, provided the operating system supports PCIe SSD hot-swap.

Table 35. 3.5-inch hot-swap 12 Gb SAS HDDs

Part number	Feature	Description	Maximum supported
3.5-inch hot-swap HDDs - 12 Gb SAS 10K			
7XB7A00063	B1JJ	ThinkSystem 3.5" 300GB 10K SAS 12Gb Hot Swap 512n HDD	20
3.5-inch hot-swap HDDs - 12 Gb SAS 15K			
7XB7A00039	AUU3	ThinkSystem 3.5" 600GB 15K SAS 12Gb Hot Swap 512n HDD	20
7XB7A00040	AUUC	ThinkSystem 3.5" 900GB 15K SAS 12Gb Hot Swap 512e HDD	20
3.5-inch hot-swap HDDs - 12 Gb NL SAS			
7XB7A00042	AUU5	ThinkSystem 3.5" 2TB 7.2K SAS 12Gb Hot Swap 512n HDD	20
7XB7A00043	AUU6	ThinkSystem 3.5" 4TB 7.2K SAS 12Gb Hot Swap 512n HDD	20
7XB7A00044	AUU7	ThinkSystem 3.5" 6TB 7.2K SAS 12Gb Hot Swap 512e HDD	20
7XB7A00045	B0YR	ThinkSystem 3.5" 8TB 7.2K SAS 12Gb Hot Swap 512e HDD	20
7XB7A00046	AUUG	ThinkSystem 3.5" 10TB 7.2K SAS 12Gb Hot Swap 512e HDD	20
7XB7A00067	B117	ThinkSystem 3.5" 12TB 7.2K SAS 12Gb Hot Swap 512e HDD	20
4XB7A13906	B496	ThinkSystem 3.5" 14TB 7.2K SAS 12Gb Hot Swap 512e HDD	20
3.5-inch hot-swap SED HDDs - 12 Gb NL SAS			
7XB7A00047	AUUH	ThinkSystem 3.5" 4TB 7.2K SAS 12Gb Hot Swap 512n HDD FIPS	20
7XB7A00048	B0YP	ThinkSystem 3.5" 6TB 7.2K SAS 12Gb Hot Swap 512e HDD FIPS	20

Table 36. 3.5-inch hot-swap 6 Gb SAS/SATA HDDs

Part number	Feature	Description	Maximum supported
3.5-inch hot-swap HDDs - 6 Gb NL SATA			
7XB7A00050	AUUD	ThinkSystem 3.5" 2TB 7.2K SATA 6Gb Hot Swap 512n HDD	20
7XB7A00051	AUU8	ThinkSystem 3.5" 4TB 7.2K SATA 6Gb Hot Swap 512n HDD	20
7XB7A00052	AUUA	ThinkSystem 3.5" 6TB 7.2K SATA 6Gb Hot Swap 512e HDD	20
7XB7A00053	AUU9	ThinkSystem 3.5" 8TB 7.2K SATA 6Gb Hot Swap 512e HDD	20
7XB7A00054	AUUB	ThinkSystem 3.5" 10TB 7.2K SATA 6Gb Hot Swap 512e HDD	20
7XB7A00068	B118	ThinkSystem 3.5" 12TB 7.2K SATA 6Gb Hot Swap 512e HDD	20
4XB7A13907	B497	ThinkSystem 3.5" 14TB 7.2K SATA 6Gb Hot Swap 512e HDD	20

Table 37. 3.5-inch hot-swap 12 Gb SAS SSDs

Part number	Feature	Description	Maximum supported
3.5-inch hot-swap SSDs - 12 Gb SAS - Performance (10+ DWPD)			
4XB7A10234	B4Y8	ThinkSystem 3.5" SS530 800GB Performance SAS 12Gb Hot Swap SSD	20
4XB7A10235	B4Y9	ThinkSystem 3.5" SS530 1.6TB Performance SAS 12Gb Hot Swap SSD	20
4XB7A10236	B4YA	ThinkSystem 3.5" SS530 3.2TB Performance SAS 12Gb Hot Swap SSD	20
3.5-inch hot-swap SSDs - 12 Gb SAS - Mainstream (3-5 DWPD)			
4XB7A17066	B8HT	ThinkSystem 3.5" PM1645a 800GB Mainstream SAS 12Gb Hot Swap SSD	20
4XB7A17043	B8JN	ThinkSystem 3.5" PM1645a 1.6TB Mainstream SAS 12Gb Hot Swap SSD	20
4XB7A17067	B8JK	ThinkSystem 3.5" PM1645a 3.2TB Mainstream SAS 12Gb Hot Swap SSD	20
3.5-inch hot-swap SSDs - 12 Gb SAS - Entry / Capacity (<3 DWPD)			
4XB7A17058	B91E	ThinkSystem 3.5" PM1643a 3.84TB Entry SAS 12Gb Hot Swap SSD	20

Table 38. 3.5-inch hot-swap 6 Gb SAS/SATA SSDs

Part number	Feature	Description	Maximum supported
3.5-inch hot-swap SSDs - 6 Gb SATA - Mainstream (3-5 DWPD)			
4XB7A17096	B8JL	ThinkSystem 3.5" 5300 240GB Mainstream SATA 6Gb Hot Swap SSD	20
4XB7A17097	B8JF	ThinkSystem 3.5" 5300 480GB Mainstream SATA 6Gb Hot Swap SSD	20
4XB7A17098	B8J0	ThinkSystem 3.5" 5300 960GB Mainstream SATA 6Gb Hot Swap SSD	20
4XB7A17099	B8HR	ThinkSystem 3.5" 5300 1.92TB Mainstream SATA 6Gb Hot Swap SSD	20
4XB7A17100	B8HX	ThinkSystem 3.5" 5300 3.84TB Mainstream SATA 6Gb Hot Swap SSD	20
4XB7A10243	B48E	ThinkSystem 3.5" 5200 480GB Mainstream SATA 6Gb Hot Swap SSD	20
4XB7A10244	B48F	ThinkSystem 3.5" 5200 960GB Mainstream SATA 6Gb Hot Swap SSD	20
3.5-inch hot-swap SSDs - 6 Gb SATA - Entry (<3 DWPD)			
4XB7A17081	B8JB	ThinkSystem 3.5" 5300 240GB Entry SATA 6Gb Hot Swap SSD	20
4XB7A17082	B8J9	ThinkSystem 3.5" 5300 480GB Entry SATA 6Gb Hot Swap SSD	20
4XB7A17083	B8JC	ThinkSystem 3.5" 5300 960GB Entry SATA 6Gb Hot Swap SSD	20
4XB7A17084	B8HZ	ThinkSystem 3.5" 5300 1.92TB Entry SATA 6Gb Hot Swap SSD	20
4XB7A17085	B8HQ	ThinkSystem 3.5" 5300 3.84TB Entry SATA 6Gb Hot Swap SSD	20
4XB7A17086	B8J3	ThinkSystem 3.5" 5300 7.68TB Entry SATA 6Gb Hot Swap SSD	20
4XB7A10158	B2X7	ThinkSystem 3.5" 5200 480GB Entry SATA 6Gb Hot Swap SSD	20
4XB7A10159	B2X8	ThinkSystem 3.5" 5200 960GB Entry SATA 6Gb Hot Swap SSD	20
4XB7A10160	B2X9	ThinkSystem 3.5" 5200 1.92TB Entry SATA 6Gb Hot Swap SSD	20

Table 39. 3.5-inch NVMe SSDs

Part number	Feature	Description	Maximum supported
3.5-inch SSDs - NVMe - Mainstream (3-5 DWPD)			
4XB7A13944	B58C	ThinkSystem 3.5" Intel P4610 1.6TB Mainstream NVMe PCIe 3.0 x4 Hot Swap SSD	4
4XB7A13945	B58D	ThinkSystem 3.5" Intel P4610 3.2TB Mainstream NVMe PCIe 3.0 x4 Hot Swap SSD	4
4XB7A13946	B58E	ThinkSystem 3.5" Intel P4610 6.4TB Mainstream NVMe PCIe 3.0 x4 Hot Swap SSD	4
4XB7A08532	B21Z	ThinkSystem 3.5" Toshiba CM5-V 800GB Mainstream NVMe PCIe 3.0 x4 Hot Swap SSD	4
4XB7A08533	B220	ThinkSystem 3.5" Toshiba CM5-V 1.6TB Mainstream NVMe PCIe 3.0 x4 Hot Swap SSD	4
4XB7A08534	B221	ThinkSystem 3.5" Toshiba CM5-V 3.2TB Mainstream NVMe PCIe 3.0 x4 Hot Swap SSD	4
4XB7A08535	B2XK	ThinkSystem 3.5" Toshiba CM5-V 6.4TB Mainstream NVMe PCIe 3.0 x4 Hot Swap SSD	4
3.5-inch SSDs - NVMe - Entry (<3 DWPD)			
4XB7A10178	B34Q	ThinkSystem 3.5" PM983 1.92TB Entry NVMe PCIe 3.0 x4 Hot Swap SSD	4
4XB7A10179	B34R	ThinkSystem 3.5" PM983 3.84TB Entry NVMe PCIe 3.0 x4 Hot Swap SSD	4
4XB7A10180	B4D4	ThinkSystem 3.5" PM983 7.68TB Entry NVMe PCIe 3.0 x4 Hot Swap SSD	4

Note: NVMe PCIe SSDs support informed hot removal and hot insertion, provided the operating system supports PCIe SSD hot-swap.

Table 40. M.2 drives

Part number	Feature	Description	Maximum supported
M.2 SSDs - 6 Gb SATA - Entry (<3 DWPD)			
7N47A00129	AUUL	ThinkSystem M.2 32GB SATA 6Gbps Non-Hot Swap SSD	2
7N47A00130	AUUV	ThinkSystem M.2 128GB SATA 6Gbps Non-Hot Swap SSD	2
7SD7A05703	B11V	ThinkSystem M.2 5100 480GB SATA 6Gbps Non-Hot Swap SSD	2
4XB7A14048	B5UP	ThinkSystem M.2 5100 960GB SATA 6Gbps Non-Hot Swap SSD	2
4XB7A17071	B8HS	ThinkSystem M.2 5300 240GB SATA 6Gbps Non-Hot Swap SSD	2
4XB7A17073	B919	ThinkSystem M.2 5300 480GB SATA 6Gbps Non-Hot Swap SSD	2
4XB7A17074	B8JJ	ThinkSystem M.2 5300 960GB SATA 6Gbps Non-Hot Swap SSD	2

Internal backup units

The server does not support any internal backup units, such as tape drives or RDX drives. External backup units are available as described in the [External backup units](#) section.

Optical drives

The server does not support an internal optical drive. An external USB optical drive is available, listed in the following table.

Table 41. External optical drive

Part number	Feature code	Description
7XA7A05926	AVV8	ThinkSystem External USB DVD RW Optical Disk Drive

I/O expansion

The server supports a total of up to 9 PCIe 4.0 slots (8 with rear access, 1 internal for a RAID adapter or HBA) plus a dedicated OCP 3.0 SFF slot for networking. Slot availability is based on riser selection.

Slot length is dependent on the use of a mid-chassis drive cage: If the mid drive cage is present then slots are half-length; if the mid drive cage is not present, then slots are full-length.

The following figure shows the locations of the rear-accessible slots for each configuration selection. The OCP slot is located in the lower-left corner.

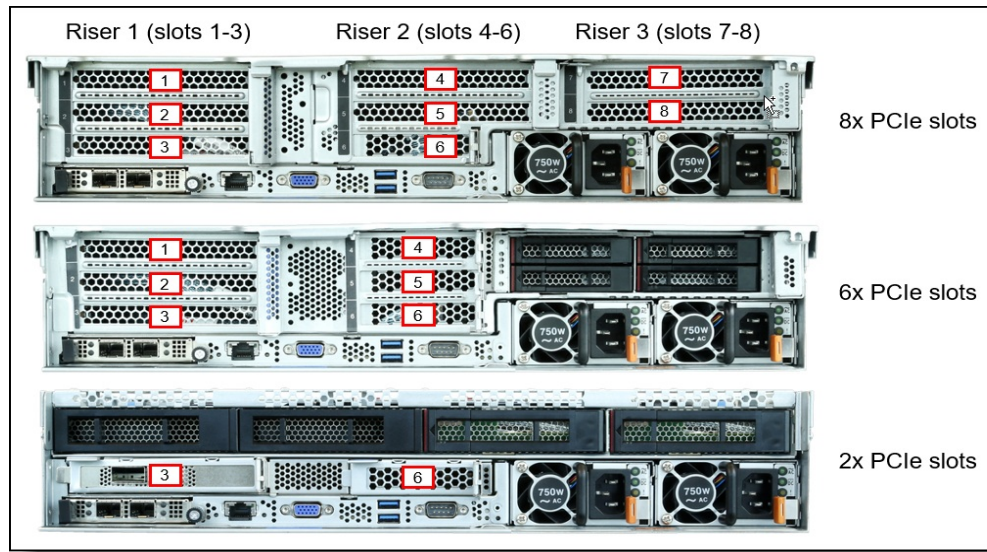


Figure 10. SR655 slots

The slots and riser cards are as follows:

- Riser 1: Slots 1, 2 and 3 - all FHHL or FHFL (16 or 32 lanes)
 - Option 1*: x16, x8, x8 (all physically x16 slots)
 - Option 2*: x16, x16, NC (slot 3 not connected)
 - Option 3: NC, NC, x16 (1U riser; slot 1 and slot 2 not connected)
 - Option 4: x16, NC, NC (slot 2 and slot 3 not connected)
- Riser 2: Slots 4, 5, and 6 - slot size varies (32 lanes)
 - Option 1: x16, x8, x8 (all physically x16 slots)
 - Option 2: x16, x16, NC (slot 6 not connected)
 - Option 3: NC, NC, x16 (1U riser; slot 4 and slot 5 not connected)
- Riser 3: Slots 7 and 8 - both FHHL or FHFL (16 or 32 lanes)
 - Option 1*: x8, x8 (both physically x16 slots)
 - Option 2*: x16, x16
- Slot 9: Internal PCIe 4.0 x8 low-profile slot for internal drive controller (physically a x16 slot)*

* The use of 32 lanes with Riser 1 or the use of Riser 3 or Slot 9 imposes restrictions on the use of the onboard SATA controller or the use of the M.2 Module or both. See [Table 43](#) below for details.

The riser cards used to provide the above slot combinations are listed in the following table.

Table 42. Riser card selections

Purpose (NC = Not connected)	Part number	Feature code	Description
Riser 1 (slots 1,2,3)			
Option 1 - x16,x8,x8	4XH7A09838	B5VX	ThinkSystem SR655 x16/x8/x8 PCIe Riser1
Option 2 - x16,x16,NC	4XH7A09837	B5VZ	ThinkSystem SR655 x16/x16 PCIe Riser1
Option 3 - NC,NC,x16	4XH7A09835	B5VV	ThinkSystem SR635/SR655 x16 PCIe Riser1
Option 4 - x16,NC,NC	4XH7A09834	B69R	ThinkSystem SR655 x16 PCIe 2U Riser 1
Riser 2 (slots 4,5,6)			
Option 1 - x16,x8,x8	4XH7A09840	B5VU	ThinkSystem SR655 x16/x8/x8 PCIe Riser2
Option 2 - x16,x16,NC	4XH7A09839	B5VY	ThinkSystem SR655 x16/x16 PCIe Riser2
Option 3 - NC,NC,x16	4XH7A09836	B5W0	ThinkSystem SR635/SR655 x16/x16 PCIe Riser2 (BF)
Riser 3 (slots 7,8)			
Option 1 - x8,x8	4XH7A09841	B5VT	ThinkSystem SR655 x8/x8 PCIe Riser3
Option 2 - x16,x16	4XH7A09842*	B5W1	ThinkSystem SR655 x16/x16 PCIe Riser3
Internal (slot 9)			
Internal slot - x8	4XH7A09843**	B5VW	ThinkSystem SR635/SR655 x8 PCIe Internal Riser

* Option part number 4XH7A09842 includes the GPU power cable

** Option part number 4XH7A09843 includes a bracket to hold two RAID adapter flash power modules (supercaps)

As described in this section, the use of some risers results in limitations on the use of NVMe drives, the onboard SATA controller, and M.2 drives. This is due to the dual use of some of the PCIe slimline connectors on the system board - use with riser cards and use with these other functions. The following table summarizes the restrictions.

Tip: The drive bay restrictions in the table refer to the front drive bays.

Table 43. Restrictions on NVMe, onboard SATA and M.2 with riser selection

Purpose (NC = Not connected)	Description	NVMe restrictions (front bays)	Onboard SATA restrictions (front bays)	M.2 restrictions
Riser 1 (slots 1,2,3)				
Option 1 x16,x8,x8	ThinkSystem SR655 x16/x8/x8 PCIe Riser1, B5VX	3.5-inch bays: No restriction 2.5-inch bays: 8 NVMe drives max	3.5-inch bays: 8 drives max 2.5-inch bays: No support	No restriction
Option 2 x16,x16,NC	ThinkSystem SR655 x16/x16 PCIe Riser1, B5VZ	3.5-inch bays: No restriction 2.5-inch bays: 8 NVMe drives max	3.5-inch bays: 8 drives max 2.5-inch bays: No support	No restriction
Option 3 NC,NC,x16	ThinkSystem SR635/SR655 x16 PCIe Riser1, B5VV	No restriction	No restriction	No restriction
Option 4 x16,NC,NC	ThinkSystem SR655 x16 PCIe 2U Riser 1, B69R	No restriction	No restriction	No restriction
Riser 2 (slots 4,5,6)				
Option 1 x16,x8,x8	ThinkSystem SR655 x16/x8/x8 PCIe Riser2, B5VU	No restriction	No restriction	No restriction
Option 2 x16,x16,NC	ThinkSystem SR655 x16/x16 PCIe Riser2, B5VY	No restriction	No restriction	No restriction
Option 3 NC,NC,x16	ThinkSystem SR635/SR655 x16/x16 PCIe Riser2 (BF), B5W0	No restriction	No restriction	No restriction
Riser 3 (slots 7,8)				
Option 1 x8,x8	ThinkSystem SR655 x8/x8 PCIe Riser3, B5VT	3.5-inch bays: No NVMe support 2.5-inch bays: No NVMe support	No restriction	No restriction
Option 2 x16,x16	ThinkSystem SR655 x16/x16 PCIe Riser3, B5W1	3.5-inch bays: No NVMe support 2.5-inch bays: No NVMe support	3.5-inch bays: 8 drives max 2.5-inch bays: 8 drives max	No M.2 support
Internal (slot 9)				
Internal slot x8	ThinkSystem SR635/SR655 x8 PCIe Internal Riser, B5VW	3.5-inch bays: No restriction 2.5-inch bays: 8 NVMe drives max	No restriction	No restriction

The choice of riser also determine which rear drive bays are possible, as listed in the following table.

Table 44. Use of rear drive bays with riser cards

Purpose (NC = Not connected)	Description	Riser can be used with:		
		Without rear bays	3.5-inch rear bays	2.5-inch rear bays
Riser 1 (slots 1,2,3)				
Option 1 - x16,x8,x8	ThinkSystem SR655 x16/x8/x8 PCIe Riser1, B5VX	Yes	No	Yes
Option 2 - x16,x16,NC	ThinkSystem SR655 x16/x16 PCIe Riser1, B5VZ	Yes	No	Yes
Option 3 - NC,NC,x16	ThinkSystem SR635/SR655 x16 PCIe Riser1, B5VV	No	Yes	No
Option 4 - x16,NC,NC	ThinkSystem SR655 x16 PCIe 2U Riser 1, B69R	Yes	No	Yes
Riser 2 (slots 4,5,6)				
Option 1 - x16,x8,x8	ThinkSystem SR655 x16/x8/x8 PCIe Riser2, B5VU	Yes	No	Yes
Option 2 - x16,x16,NC	ThinkSystem SR655 x16/x16 PCIe Riser2, B5VY	Yes	No	Yes
Option 3 - NC,NC,x16	ThinkSystem SR635/SR655 x16/x16 PCIe Riser2 (BF), B5W0	No	Yes	No
Riser 3 (slots 7,8)				
Option 1 - x8,x8	ThinkSystem SR655 x8/x8 PCIe Riser3, B5VT	Yes	No	No
Option 2 - x16,x16	ThinkSystem SR655 x16/x16 PCIe Riser3, B5W1	Yes	No	No
Internal (slot 9)				
Internal slot - x8	ThinkSystem SR635/SR655 x8 PCIe Internal Riser, B5VW	Yes	Yes	Yes

Network adapters

The server has a dedicated OCP 3.0 SFF slot with PCIe 4.0 x16 host interface. See [Figure 3](#) for the location of the OCP slot.

The following table lists the supported OCP adapters. One port can optionally be shared with the ASPEED management processor for Wake-on-LAN and NC-SI support. Only 1 OCP card can be installed in the server.

Table 45. Supported OCP adapters

Part number	Feature code	Description
Gigabit		
4XC7A08277	B93E	ThinkSystem Intel I350 1GbE RJ45 4-port OCP Ethernet Adapter
4XC7A08235	B5T1	ThinkSystem Broadcom 5719 1GbE RJ45 4-port OCP Ethernet Adapter
10 GbE		
4XC7A08310	BB8U	ThinkSystem Marvell QL41132 10GBASE-T 2-port OCP Ethernet Adapter
25 GbE		
4XC7A08237	B5SZ	ThinkSystem Broadcom 57414 10/25GbE SFP28 2-port OCP Ethernet Adapter
4XC7A08242	B5SV	ThinkSystem Broadcom 57454 10/25GbE SFP28 4-port OCP Ethernet Adapter
4XC7A08246	B5T2	ThinkSystem Mellanox ConnectX-4 Lx 10/25GbE SFP28 2-port OCP Ethernet Adapter
4XC7A08264	B5SW	ThinkSystem Marvell QL41232 10/25GbE SFP28 2-Port OCP Ethernet Adapter

Some larger configurations of front drive bays limit whether a 10Gb or faster OCP adapter can be installed or whether performance fans must be installed. Details are listed in the following table. See the [Cooling](#) section for performance fan ordering information.

Table 46. Support of OCP adapters based on drive bay configurations

Drive bay configuration	Fan requirements for each supported OCP adapter		
	<ul style="list-style-type: none"> Intel I350 1Gb Broadcom 5719 1Gb 	<ul style="list-style-type: none"> Broadcom 5714 25Gb Mellanox CX-4 25Gb Marvell QL41232 25Gb Marvell QL41132 10Gb 	<ul style="list-style-type: none"> Broadcom 57454 25Gb
3.5-inch front drive bays			
8x 3.5-inch SAS/SATA	6x Either fan	6x Either fan	6x Either fan
12x 3.5-inch SAS/SATA	6x Either fan	6x Performance fan	No support
8x 3.5-inch SAS/SATA + 4x 3.5-inch AnyBay	6x Either fan	6x Performance fan	No support
2.5-inch front drive bays			
8x 2.5-inch SAS/SATA	6x Either fan	6x Either fan	6x Either fan
16x 2.5-inch SAS/SATA	6x Either fan	6x Either fan	6x Either fan
24x 2.5-inch SAS/SATA	6x Either fan	6x Performance fan	6x Performance fan
8x 2.5-inch NVMe	6x Either fan	6x Either fan	6x Either fan
16x 2.5-inch NVMe	6x Either fan	6x Either fan	6x Either fan
24x 2.5-inch NVMe	6x Either fan	6x Performance fan	6x Performance fan
8x 2.5-inch NVMe + 8x 2.5-inch SAS/SATA	6x Either fan	6x Either fan	6x Either fan
8x 2.5-inch NVMe + 16x 2.5-inch SAS/SATA	6x Either fan	6x Performance fan	6x Performance fan

Installation & removal: Before installing or removing an OCP adapter, power off your server and disconnect power cords first. See [Support tip HT509768](#) for details.

For more information, including the transceivers and cables that each adapter supports, see the list of Lenovo Press Product Guides in the Networking adapters category:
<https://lenovopress.com/servers/options/ethernet>

The following table lists additional supported network adapters that can be installed in the regular PCIe slots.

Table 47. Supported PCIe Network Adapters

Part number	Feature code	Description	Slots supported	Maximum supported
Gigabit Ethernet				
7ZT7A00484	AUZV	ThinkSystem Broadcom 5719 1GbE RJ45 4-Port PCIe Ethernet Adapter	1-8	8
7ZT7A00482	AUZX	ThinkSystem Broadcom 5720 1GbE RJ45 2-Port PCIe Ethernet Adapter	1-8	8
7ZT7A00533	AUZZ	ThinkSystem I350-F1 PCIe 1Gb 1-Port SFP Ethernet Adapter	1-8	8
7ZT7A00534	AUZY	ThinkSystem I350-T2 PCIe 1Gb 2-Port RJ45 Ethernet Adapter	1-8	8
7ZT7A00535	AUZW	ThinkSystem I350-T4 PCIe 1Gb 4-Port RJ45 Ethernet Adapter	1-8	8
10 GbE				
7ZT7A00496	AUKP	ThinkSystem Broadcom 57416 10GBASE-T 2-Port PCIe Ethernet Adapter	1-2, 4-8	7
00MM860	ATPX	Intel X550-T2 Dual Port 10GBase-T Adapter	1-2, 4-8	7
7ZT7A00537	AUKX	ThinkSystem Intel X710-DA2 PCIe 10Gb 2-Port SFP+ Ethernet Adapter	1-2, 4-8	7
25 GbE				
4XC7A08241†	B5T3	ThinkSystem Broadcom 57454 10/25GbE SFP28 4-port PCIe Ethernet Adapter	2,3,5,8	4
4XC7A08238	B5T0	ThinkSystem Broadcom 57414 10/25GbE SFP28 2-port PCIe Ethernet Adapter	1-2, 4-8	7
4XC7A08270	B652	ThinkSystem Marvell QL41232 10/25GbE SFP28 2-Port PCIe Ethernet Adapter	1-2, 4-8	7
4XC7A08249	B653	ThinkSystem Mellanox ConnectX-4 Lx 10/25GbE SFP28 2-port PCIe Ethernet Adapter	1-2, 4-8	7
InfiniBand				
4C57A14177	B4R9	ThinkSystem Mellanox ConnectX-6 HDR100 QSFP56 1-port PCIe InfiniBand Adapter	1,2,4,5,7,8	6*
4C57A14178	B4RA	ThinkSystem Mellanox ConnectX-6 HDR100 QSFP56 2-port PCIe InfiniBand Adapter	4,5,7,8	4*
4C57A15326	B4RC	ThinkSystem Mellanox ConnectX-6 HDR QSFP56 1-port PCIe 4 InfiniBand Adapter	1,2,4,5,7,8	3*

† Broadcom 57454 10/25GbE SFP28 4-port PCIe Ethernet Adapter is currently only supported CTO, not supported as a field upgrade option

* For these 100Gb and 200Gb adapters, high performance cooling fans must be installed. See the [Cooling](#) section for details.

For more information, including the transceivers and cables that each adapter supports, see the list of Lenovo Press Product Guides in the Networking adapters category:
<https://lenovopress.com/servers/options/ethernet>

Fibre Channel host bus adapters

The following table lists the Fibre Channel HBAs supported by the SR655.

Table 48. Fibre Channel HBAs

Part number	Feature code	Description	Slots supported	Maximum supported
32 Gb Fibre Channel HBAs				
4XC7A08250	B5SX	ThinkSystem Emulex LPe35000 32Gb 1-port PCIe Fibre Channel Adapter	1-2, 4-8	7
4XC7A08251	B5SY	ThinkSystem Emulex LPe35002 32Gb 2-port PCIe Fibre Channel Adapter	1-2, 4-8	7
7ZT7A00516	AUNS	ThinkSystem QLogic QLE2740 PCIe 32Gb 1-Port SFP+ Fibre Channel Adapter	1-2, 4-8	7
7ZT7A00518	AUNU	ThinkSystem QLogic QLE2742 PCIe 32Gb 2-Port SFP+ Fibre Channel Adapter	1-2, 4-8	7
16 Gb Fibre Channel HBAs				
01CV840	ATZV	Emulex 16Gb Gen6 FC Dual-port HBA	1-2, 4-8	7
01CV830	ATZU	Emulex 16Gb Gen6 FC Single-port HBA	1-2, 4-8	7
01CV760	ATZC	QLogic 16Gb Enhanced Gen5 FC Dual-port HBA	1-2, 4-8	7
01CV750	ATZB	QLogic 16Gb Enhanced Gen5 FC Single-port HBA	1-2, 4-8	7

For more information, see the list of Lenovo Press Product Guides in the Host bus adapters category:
<https://lenovopress.com/servers/options/hba>

SAS adapters for external storage

The following table lists SAS HBAs and RAID adapters supported by SR655 server for use with external storage.

Table 49. Adapters for external storage

Part number	Feature code	Description	Slots supported	Maximum supported
SAS HBAs				
7Y37A01090	AUNR	ThinkSystem 430-8e SAS/SATA 12Gb HBA	1-8	8
7Y37A01091	AUNN	ThinkSystem 430-16e SAS/SATA 12Gb HBA	1-8	8
External RAID adapters				
7Y37A01087	AUNQ	ThinkSystem RAID 930-8e 4GB Flash PCIe 12Gb Adapter	1-8	4*

* See configuration rules below

Configuration rules

The following configuration rules apply to the use of the RAID 930-8e adapter and the flash power module (supercaps) that each adapter requires:

- If the 3.5-inch mid-chassis drive cage is configured, then the maximum number of flash power modules (and therefore the maximum number of 930-8e adapters) is 2
- If one or more GPUs are installed, then the maximum number of flash power modules and 930-8e adapters is 3.
- If any internal RAID adapters with flash power modules are installed, the maximum number of 930-8e adapters supported is further reduced by that number.

For more information, see the list of Lenovo Press Product Guides in the Host bus adapters and RAID adapters categories:

<https://lenovopress.com/servers/options/hba>

<https://lenovopress.com/servers/options/raid>

The following table compares the specifications of the external SAS HBAs and RAID adapters.

Table 50. Comparison of external storage adapters

Feature	430-8e	430-16e	930-8e
Adapter type	HBA	HBA	External RAID
Part number	7Y37A01090	7Y37A01091	7Y37A01087
Controller chip	LSI SAS3408	LSI SAS3416	LSI SAS3516
Broadcom equivalent	HBA 9400-8e	HBA 9400-16e	MegaRAID 9480-8e
Host interface	PCIe 3.0x8	PCIe 3.0x8	PCIe 3.0x8
Port interface	12 Gb SAS	12 Gb SAS	12 Gb SAS
Number of ports	8	16	8
Port connectors	2x Mini-SAS HD SFF8644	4x Mini-SAS HD SFF8644	2x Mini-SAS HD SFF8644
Drive interface	SAS/SATA	SAS/SATA	SAS,SATA
Drive type	HDD/SSD/SED*	HDD/SSD/SED*	HDD,SED,SSD
Hot-swap drives	Yes	Yes	Yes
Maximum devices	1024	1024	216
RAID levels	None	None	0/1/10/5/50/6/60
JBOD mode	Yes	Yes	Yes
Cache	None	None	4GB (Standard)
CacheVault cache protection	None	None	Yes (Flash)
Performance Accelerator (FastPath)	No	No	Yes
SSD Caching (CacheCade Pro 2.0)	No	No	No
SED support*	Yes	Yes	Yes

* SAS HBAs support SEDs (self-encrypting drives) by using software on the server and simply passing SED commands through the HBA to the drives. SED support by RAID controllers is provided using the built-in MegaRAID SafeStore functionality of the adapter.

Flash storage adapters

All PCIe Flash Storage adapters supported by the server are withdrawn from marketing.

GPU adapters

The SR655 supports the following graphics processing units (GPUs).

Table 51. Supported GPUs

Part number	Feature code	Description	Slots supported	Maximum supported
4X67A13124	BB2E	ThinkSystem NVIDIA Tesla V100S 32GB PCIe Passive GPU	1,4,7 (double width*)	3
4C57A09498	B1JY	ThinkSystem NVIDIA Tesla V100 16GB PCIe Passive GPU	1,4,7 (double width*)	3
4X67A12088	B34S	ThinkSystem NVIDIA Tesla V100 32GB PCIe Passive GPU	1,4,7 (double width*)	3
4X67A14926	B4YB	ThinkSystem NVIDIA Tesla T4 16GB PCIe Passive GPU	1,2,4,5,7,8 (single width)	6

* When installed, the adjacent slot (2, 5, or 8 respectively) will not be usable

For information about these GPUs, see the ThinkSystem GPU Summary, available at: <https://lenovopress.com/lp0768-thinksystem-thinkagile-gpu-summary>

The following figure shows the slots where double-wide (top image) and single-wide (bottom) are installed.

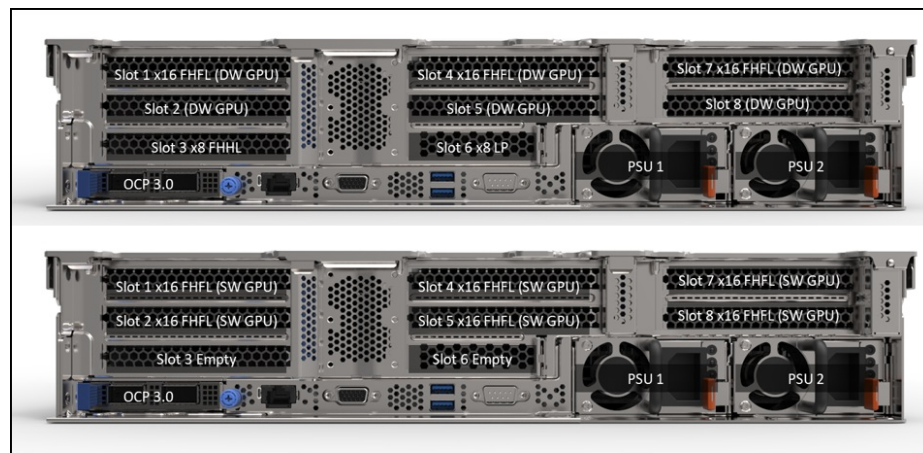


Figure 11. Slots used for GPUs

Configuration rules

The following configuration requirements must be met when installing GPUs:

- All GPUs installed must be identical
- Double-wide GPUs are installed in the top slots of each riser (see [I/O expansion](#) for the location of the risers and slots). The adjacent slots are not available for use.
- Rear drive bays and mid-chassis drive bays are not supported.
- Maximum of 8x 3.5-inch front drive bays supported (12 bays not supported)
- Maximum of 16x 2.5-inch front drive bays supported (24 bays not supported)
- Flash storage adapters are not supported.
- 1600W power supplies (or in some configurations, 1100W power supplies) are required.
- Processor TDP and ambient temperature limitations are listed in the following table.

Table 52. Processor and thermal requirements for GPUs

GPUs installed	Front drive bays	Maximum processor TDP	Maximum ambient temperature
6x T4 GPUs	8x 3.5-inch SAS/SATA	200W	35°C
6x T4 GPUs	8x 3.5-inch SAS/SATA	225W	30°C
6x T4 GPUs	8x 2.5-inch SAS/SATA 16x 2.5-inch SAS/SATA	225W	35°C
3x V100 GPUs	8x 3.5-inch SAS/SATA 8x 2.5-inch SAS/SATA 16x 2.5-inch SAS/SATA	225W	30°C

When GPUs are installed, the necessary riser cards will be derived. The following table shows the riser cards for double-wide GPUs. In such a configuration, slots 1, 4, 7 are x16 used by the GPUs, slots 2, 5, 8 are inaccessible. The remaining slots 3 and 6 are available for x8 adapters.

Table 53. Riser cards for double-wide GPUs

Riser choice	Part number	Feature code	Description
Riser 1: x16,NC,NC	4XH7A09834	B69R	ThinkSystem SR655 x16 PCIe 2U Riser 1
Riser 2: x16,x8,x8	4XH7A09840	B5VU	ThinkSystem SR655 x16/x8/x8 PCIe Riser2
Riser 3: x16,x16	4XH7A09842	B5W1	ThinkSystem SR655 x16/x16 PCIe Riser3

The following table shows the riser cards for single-wide GPUs. With 6 GPUs installed, slots 1, 2, 4, 5, 7, 8 are x16 slots used by the GPUs. The remaining slots 3 and 6 are not connected.

Table 54. Riser cards for single-wide GPUs

Riser choice	Part number	Feature code	Description
Riser 1: x16,x16,NC	4XH7A09837	B5VZ	ThinkSystem SR655 x16/x16 PCIe Riser1
Riser 2: x16,x16,NC	4XH7A09839	B5VY	ThinkSystem SR655 x16/x16 PCIe Riser2
Riser 3: x16,x16	4XH7A09842	B5W1	ThinkSystem SR655 x16/x16 PCIe Riser3

GPU field upgrades

When ordering GPUs as part of a CTO configuration, the necessary cooling features are automatically selected as part of the order. However when ordering the GPUs as field upgrades, you will need to also order the necessary thermal kit. One part number is needed per server.

- 4H47A38664 is for NVIDIA T4 upgrades
- 4H47A38663 is for all other GPU upgrades

Table 55. Field upgrade kits for GPUs

Part number	Description	Maximum supported
4H47A38664	ThinkSystem SR655 Option T4 GPU Upgrade and Thermal Kit <ul style="list-style-type: none"> • 1U Performance Heatsink (replaces existing heatsink) • 6x Performance fans (replaces existing fans) • GPU air baffle • 3x additional air baffles for NVIDIA T4 GPUs 	1
4H47A38663	ThinkSystem SR655 Option GPU Upgrade and Thermal Kit <ul style="list-style-type: none"> • 1U Performance Heatsink (replaces existing heatsink) • 6x Performance fans (replaces existing fans) • GPU air baffle • 3x additional air baffles (only needed for FHHL adapters) 	1

Cooling

The SR655 server has six 60 mm hot-swap fans and either 5 or 6 fans are standard depending on the configuration. The server offers N+1 redundancy, meaning that one fan can fail and the server still operates normally. The server also has one additional fan integrated in each of the two power supplies.

Under all of the following conditions, only 5 fans are required:

- No M.2 Module
- No internal riser slot
- No mid drive bays
- No GPUs
- No flash storage adapter
- No OCP adapter
- No Ethernet adapter of 10 GbE or higher is installed in slot 7 or 8

For all other configurations, all 6 fans are required.

Table 56. Fan ordering information

Part number	Feature code	Description	Maximum supported
4F17A14485	B5W4	ThinkSystem SR655 2U Fan Module	6
4F17A14484	B5W3	ThinkSystem SR655 Performance Fan Module	6

Some configurations, such as the use of high-TDP processors or the addition of mid drive bays, rear drive bays, GPUs, flash storage adapters, M.2 drives, or Ethernet adapters of 100 GbE or higher, will require the use of higher-RPM performance fans and an upgraded processor heatsink. For configure-to-order builds, the DCSC configurator will automatically select the required components. For field upgrades, the option part numbers may include the upgraded components when they are needed, or you may need to order the performance fans separately.

See these sections for details:

- [Drive bay upgrade kits](#)
- [OCP adapters](#)
- [GPU upgrade kits](#)
- [Flash storage adapters](#)
- [PCIe network adapters](#)

Power supplies

The server supports up to two redundant hot-swap power supplies.

The power supply choices are listed in the following table. Both power supplies used in server must be identical.

Tip: Use Lenovo Capacity Planner to determine exactly what power your server needs:
<https://datacentersupport.lenovo.com/us/en/solutions/Invo-lcp>

Table 57. Power supply options

Part number	Feature code	Description	Maximum supported	110V AC	220V AC	240V DC China only
7N67A00882	B6XR	ThinkSystem 550W(230V/115V) Platinum Hot-Swap Power Supply	2	Yes	Yes	Yes
7N67A00883	B6XT	ThinkSystem 750W(230/115V) Platinum Hot-Swap Power Supply	2	Yes	Yes	Yes
7N67A00885	B6XQ	ThinkSystem 1100W (230V/115V) Platinum Hot-Swap Power Supply	2	Yes	Yes	Yes
7N67A00886	AVWG	ThinkSystem 1600W (230V) Platinum Hot-Swap Power Supply	2	No	Yes	Yes

Dual-voltage power supplies are auto-sensing and support both 110V AC (100-127V 50/60 Hz) and 220V AC (200-240V 50/60 Hz) power. For China customers, all power supplies support 240V DC.

Power supply options do not include a line cord.

For server configurations, the inclusion of a power cord is model dependent. Configure-to-order models can be configured without power cords if desired.

Power cords

Line cords and rack power cables can be ordered as listed in the following table.

110V customers: If you plan to use the ThinkSystem 1100W power supply with a 110V power source, select a power cable that is rated above 10A. Power cables that are rated at 10A or below are not supported with 110V power.

Table 58. Power cords

Part number	Feature code	Description
Rack cables		
00Y3043	A4VP	1.0m, 10A/100-250V, C13 to C14 Jumper Cord
39Y7937	6201	1.5m, 10A/100-250V, C13 to C14 Jumper Cord
4L67A08369	6570	2.0m, 13A/100-250V, C13 to C14 Jumper Cord
4L67A08366	6311	2.8m, 10A/100-250V, C13 to C14 Jumper Cord
4L67A08370	6400	2.8m, 13A/100-250V, C13 to C14 Jumper Cord
39Y7932	6263	4.3m, 10A/100-250V, C13 to C14 Jumper Cord
4L67A08371	6583	4.3m, 13A/100-250V, C13 to C14 Jumper Cord
Line cords		
39Y7930	6222	2.8m, 10A/250V, C13 to IRAM 2073 (Argentina) Line Cord
81Y2384	6492	4.3m, 10A/250V, C13 to IRAM 2073 (Argentina) Line Cord
39Y7924	6211	2.8m, 10A/250V, C13 to AS/NZS 3112 (Australia/NZ) Line Cord

Part number	Feature code	Description
81Y2383	6574	4.3m, 10A/250V, C13 to AS/NZS 3112 (Australia/NZ) Line Cord
69Y1988	6532	2.8m, 10A/250V, C13 to NBR 14136 (Brazil) Line Cord
81Y2387	6404	4.3m, 10A/250V, C13 to NBR 14136 (Brazil) Line Cord
39Y7928	6210	2.8m, 10A/220V, C13 to GB 2099.1 (China) Line Cord
81Y2378	6580	4.3m, 10A/250V, C13 to GB 2099.1 (China) Line Cord
39Y7918	6213	2.8m, 10A/250V, C13 to DK2-5a (Denmark) Line Cord
81Y2382	6575	4.3m, 10A/250V, C13 to DK2-5a (Denmark) Line Cord
39Y7917	6212	2.8m, 10A/250V, C13 to CEE 7/7 (Europe) Line Cord
81Y2376	6572	4.3m, 10A/250V, C13 to CEE 7/7 (Europe) Line Cord
39Y7927	6269	2.8m, 10A/250V, C13 to IS 6538 (India) Line Cord
81Y2386	6567	4.3m, 10A/250V, C13 to IS 6538 (India) Line Cord
39Y7920	6218	2.8m, 10A/250V, C13 to SI 32 (Israel) Line Cord
81Y2381	6579	4.3m, 10A/250V, C13 to SI 32 (Israel) Line Cord
39Y7921	6217	2.8m, 10A/250V, C13 to CEI 23-16 (Italy) Line Cord
81Y2380	6493	4.3m, 10A/250V, C13 to CEI 23-16 (Italy) Line Cord
4L67A08362	6495	4.3m, 12A/200V, C13 to JIS C-8303 (Japan) Line Cord
39Y7922	6214	2.8m, 10A/250V, C13 to SABS 164-1 (South Africa) Line Cord
81Y2379	6576	4.3m, 10A/250V, C13 to SANS 164-1 (South Africa) Line Cord
39Y7926	6335	4.3m, 12A/100V, C13 to JIS C-8303 (Japan) Line Cord
39Y7925	6219	2.8m, 12A/220V, C13 to KSC 8305 (S. Korea) Line Cord
81Y2385	6494	4.3m, 12A/250V, C13 to KSC 8305 (S. Korea) Line Cord
39Y7919	6216	2.8m, 10A/250V, C13 to SEV 1011-S24507 (Swiss) Line Cord
81Y2390	6578	4.3m, 10A/250V, C13 to SEV 1011-S24507 (Swiss) Line Cord
23R7158	6386	2.8m, 10A/125V, C13 to CNS 10917 (Taiwan) Line Cord
81Y2375	6317	2.8m, 10A/250V, C13 to CNS 10917 (Taiwan) Line Cord
81Y2374	6402	2.8m, 13A/125V, C13 to CNS 10917 (Taiwan) Line Cord
4L67A08363	AX8B	4.3m, 10A/125V, C13 to CNS 10917 (Taiwan) Line Cord
81Y2389	6531	4.3m, 10A/250V, C13 to CNS 10917 (Taiwan) Line Cord
81Y2388	6530	4.3m, 13A/125V, C13 to CNS 10917 (Taiwan) Line Cord
39Y7923	6215	2.8m, 10A/250V, C13 to BS 1363/A (UK) Line Cord
81Y2377	6577	4.3m, 10A/250V, C13 to BS 1363/A (UK) Line Cord
90Y3016	6313	2.8M, 10A/125V, C13 to NEMA 5-15P (US) Line Cord
46M2592	A1RF	2.8m, 10A/250V, C13 to NEMA 6-15P (US) Line Cord
00WH545	6401	2.8M, 13A/125V, C13 to NEMA 5-15P (US) Line Cord
4L67A08359	6370	4.3m, 10A/125V, C13 to NEMA 5-15P (US) Line Cord
4L67A08361	6373	4.3m, 10A/250V, C13 to NEMA 6-15P (US) Line Cord
4L67A08360	AX8A	4.3m, 13A/125V, C13 to NEMA 5-15P (US) Line Cord

Integrated virtualization

The server supports booting from an operating system or hypervisor installed on an M.2 solid-state drive. See the [M.2 drives section](#) for details and the list of available options.

You can download supported VMware vSphere hypervisor images from the following web page and load it on the M.2 drive using the instructions provided:

https://vmware.lenovo.com/content/custom_iso/

Systems management

The server contains an integrated service processor which provides advanced control, monitoring, and alerting functions. The service processor is based on the ASPEED AST2500 baseboard management controller (BMC).

Local management

The SR655 offers a front operator panel with key LED status indicators, as shown in the following figure.

Tip: The Network LED only shows network activity of the installed OCP network adapter.

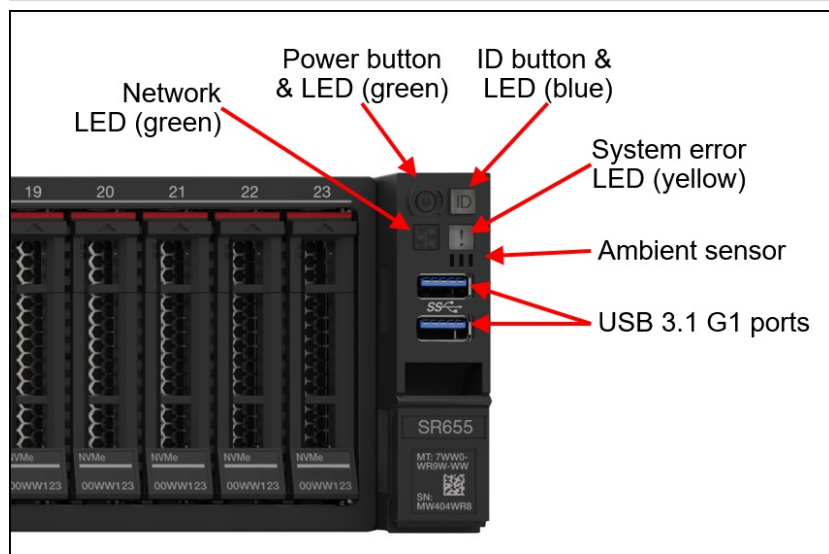


Figure 12. Front operator panel

The server offers light path diagnostics. If an environmental condition exceeds a threshold or if a system component fails, the ASPEED service processor lights LEDs inside the server to help you diagnose the problem and find the failing part. The SR655 has fault LEDs next to the following components:

- Each memory DIMM
- Each drive bay
- Each system fan
- Each power supply

The front of the server also houses an information pull-out tab (also known as the network access tag). See [Figure 2](#) for the location. A label on the tab shows the network information (MAC address and other data) to remotely access the service processor.

Remote management

Remote server management is provided through industry-standard interfaces:

- Intelligent Platform Management Interface (IPMI) Version 2.0
- Simple Network Management Protocol (SNMP) Version 3 (traps and gets)
- Redfish support to the Redfish Schema 2018.1 (DMTF DSP0266 1.5.0 compliant)
- Web browser - HTML 5-based browser interface (Java and ActiveX not required) using a responsive design (content optimized for the device being used - laptop, tablet, phone) with NLS support

Remote connectivity is provided by a dedicated 1Gb Ethernet management port (see the locations of ports at the rear of the server in the [Components and connectors](#) section). Remote management can also be performed via the first port of the installed OCP adapter using the shared management capability of the adapter via NC-SI. NC-SI connectivity is 10/100 Mbps Ethernet.

IPMI via the Ethernet port (IPMI over LAN) is supported, however it is disabled by default. For CTO orders you can specify whether you want the feature enabled or disabled in the factory, using the feature codes listed in the following table.

Table 59. IPMI-over-LAN settings

Part number	Feature code	Description
CTO only	B7XZ	Disable IPMI-over-LAN (default)
CTO only	B7Y0	Enable IPMI-over-LAN

A virtual presence (iKVM remote control and virtual media) capability also comes standard in the server for remote server management.

The remote control functions include the following:

- Remotely viewing video with graphics resolutions up to 1920x1080 at 60 Hz and 32 bits per pixel, regardless of the system state
- Remotely accessing the server using the keyboard and mouse from a remote client
- Full remote administration with seamless access from UEFI POST through to operating system load
- OS independent - no drivers or OS agents required
- Support for up to four remote users simultaneously

The remote media functions include:

- USB 2.0 compliant connectivity
- Up to four simultaneously mounted diskette, HDD, CD, DVD, USB flash drive, or image files
- Optional encryption on connections
- Requires Java Runtime Environment (JRE) 1.4.2 or later
- Can be used as a boot device
- Persistent session across system reset (but not across AC power loss)

Lenovo XClarity Administrator

Lenovo XClarity Administrator is a centralized resource management solution designed to reduce complexity, speed response, and enhance the availability of Lenovo systems and solutions.

Lenovo XClarity Administrator provides agent-free hardware management for ThinkSystem servers, in addition to other Lenovo servers. The administration dashboard is based on HTML 5 and allows fast location of resources so tasks can be run quickly.

Lenovo XClarity Administrator supports only a subset of functions with the SR655:

- Discovery
- Inventory
- Monitoring & alerting
- Call home

Functions that are not supported are:

- Centralized user management
- Cryptography modes, server certificates, and encapsulation
- Configuration patterns
- Operating system deployment
- Firmware updates
- Control of the Location LED

For more information about Lenovo XClarity Administrator, including ordering part numbers, see the Lenovo XClarity Administrator Product Guide: <https://lenovopress.com/tips1200-lenovo-xclarity-administrator>

Lenovo XClarity Provisioning Manager Lite

Lenovo XClarity Provisioning Manager Lite (LXPM Lite) v2 is an embedded application for system setup and firmware upgrades. The tool is accessed during system boot by pressing F11 when prompted.

The software tool provides the following functions:

- Easy-to-use, language-selectable graphical interface
- Integrated help system
- Automatic hardware detection
- Ability to install an operating system and device drivers either in an unattended mode or manually
- Ability to clone the settings in one server to other similarly configured Lenovo servers
- Supports RAID setup
- Diagnostics for memory test, hard disk drive test, and RAID log collection.

The LXPM Lite user interface is shown in the following figure.

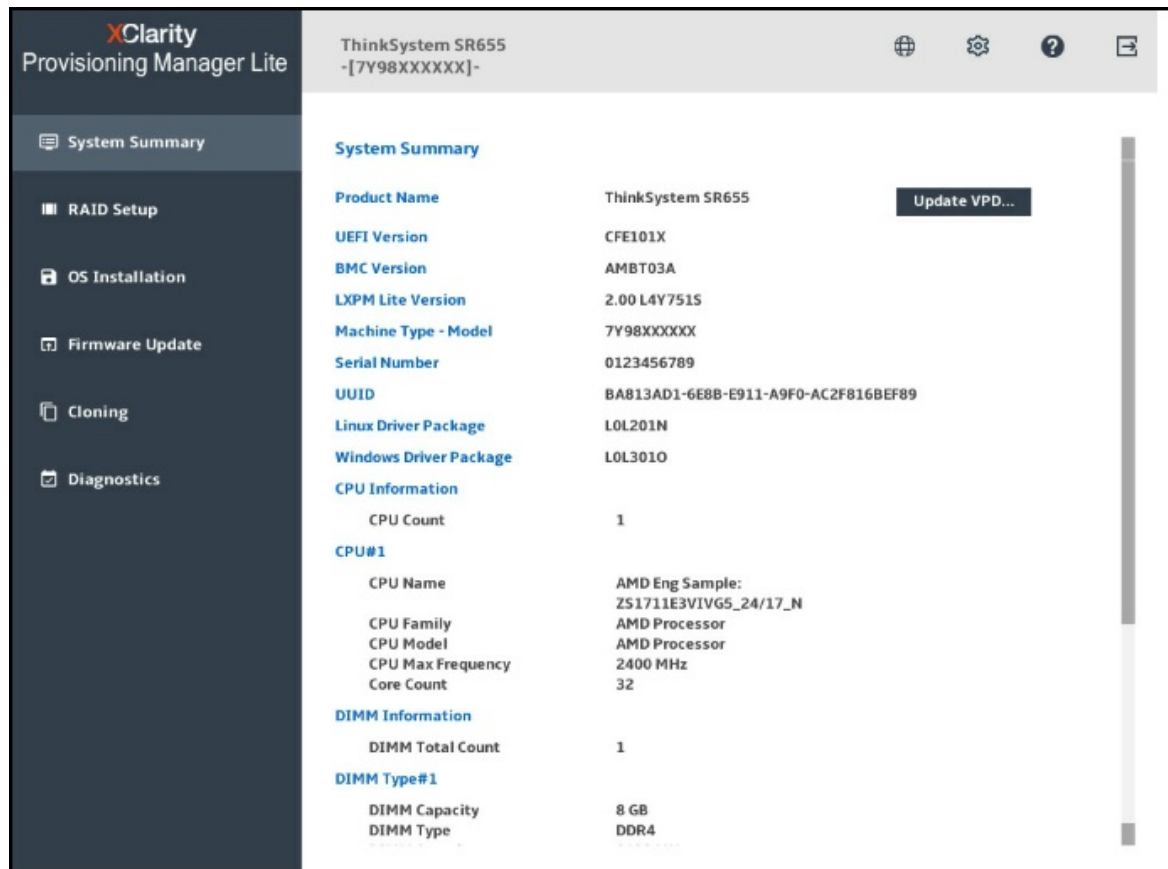


Figure 13. Lenovo XClarity Provisioning Manager Lite user interface (pre-production server)

For more information about LXPM Lite, see the following support page:

<https://datacentersupport.lenovo.com/us/en/solutions/HT507133>

Lenovo XClarity Essentials

Lenovo offers the following XClarity Essentials software tools that can help you set up, use, and maintain the server at no additional cost:

- Lenovo Essentials OneCLI

OneCLI is a collection of server management tools that uses a command line interface program to collect full system health information (including health status).

Note: OneCLI on the SR655 is limited to inventory and log collection functions only. Functions such as configuring system settings, and updating system firmware and drivers are not supported.

- Lenovo Essentials Bootable Media Creator

The Bootable Media Creator (BoMC) tool is used to create bootable media for offline firmware update.

Note: UpdateXpress is not supported on the SR655.

For more information and downloads, visit the Lenovo XClarity Essentials web page:
<http://support.lenovo.com/us/en/documents/LNVO-center>

Lenovo XClarity Energy Manager

Lenovo XClarity Energy Manager provides a stand-alone, web-based agent-less power management console that provides real time data and enables you to observe, plan and manage power and cooling for Lenovo servers. Using built-in intelligence, it identifies server power consumption trends and ideal power settings and performs cooling analysis so that you can define and optimize power-saving policies.

Lenovo XClarity Energy Manager offers the following capabilities:

- Monitors room, row, rack, and device levels in the data center
- Reports vital server information, such as power, temperature and resource utilization
- Monitors inlet temperature to locate hot spots, reducing the risk of data or device damage
- Provides finely-grained controls to limit platform power in compliance with IT policy
- Generates alerts when a user-defined threshold is reached

Note: In the SR655, system power capping function is not supported on Lenovo XClarity Energy Manager.

Lenovo XClarity Energy Manager is an optional software component that is licensed on a per managed node basis, that is, each managed server requires a license. To manage systems, a node license pack should be purchased. The following table lists the geo-specific Lenovo XClarity Energy Manager software license options.

Table 60. Lenovo XClarity Energy Manager software options

Description	Part number (NA, AP, Japan)*	Part number (EMEA, LA)**	Quantity
Lenovo XClarity Energy Manager, 1 Node w/ 1 Yr S&S	01DA225	01DA228	1

For more information, refer to the Lenovo XClarity Energy Manager web page:
<http://datacentersupport.lenovo.com/us/en/solutions/Invo-lxem>

Lenovo Capacity Planner is a power consumption evaluation tool that enhances data center planning by enabling IT administrators and pre-sales professionals to understand various power characteristics of racks, servers, and other devices. Capacity Planner can dynamically calculate the power consumption, current, British Thermal Unit (BTU), and volt-ampere (VA) rating at the rack level, improving the planning efficiency for large scale deployments.

For more information, refer to the Capacity Planner web page:
<http://datacentersupport.lenovo.com/us/en/solutions/Invo-lcp>

Security

The SR655 server offers the following security features:

- Administrator and power-on password
- Integrated Trusted Platform Module (TPM) supporting TPM 2.0
- Optional Nationz TPM 2.0, available only in China (CTO only)
- Optional chassis intrusion switch (CTO only)
- Optional lockable front security bezel

The optional lockable front security bezel is shown in the following figure and includes a key that enables you to secure the bezel over the drives and system controls thereby reducing the chance of unauthorized or accidental access to the server.



Figure 14. Lockable front security bezel

The dimensions of the security bezel are:

- Width: 437 mm (17.2 in.)
- Height: 87 mm (3.4 in.)
- Width: 23 mm (0.9 in.)

The following table lists the security options for the SR655.

Table 61. Security features

Part number	Feature code	Description
None*	B22N	ThinkSystem Nationz Trusted Platform Module v2.0 (China customers only)
None*	B9V3	ThinkSystem Intrusion Switch Cable
7Z17A02580	AURX	ThinkSystem 2U Security Bezel

* Not available as a field upgrade. The component is CTO or in pre-configured models only.

Rack installation

The following table lists the rack installation options that are available for the server.

The VGA Upgrade Kit allows you to upgrade your server by adding a VGA video port to the front of the server (if the server does not already come with a front VGA port). When the front VGA is in use, the rear VGA port is automatically disabled.

Table 62. Rack installation options

Option	Feature Code	Description
Optional front VGA port		
7Z17A02578	B6XX	ThinkSystem 2U EIA Latch w/ VGA Upgrade Kit (adds a VGA port to the front of the server)
4-post rail slides		
4M17A13564	B42B	ThinkSystem Toolless Friction Rail v2
7M27A05702	AXCA	ThinkSystem Toolless Slide Rail
7M27A05700	AXCH	ThinkSystem Toolless Slide Rail Kit with 2U CMA

The following table summarizes the rail kit features and specifications.

Table 63. Rail kit features and specifications summary

Feature	ThinkSystem Toolless Slide Rail	ThinkSystem Toolless Friction Rail v2
Part number	7M27A05702 (no CMA) 7M27A05700 (with CMA)	4M17A13564
Rail type	Full-out slide (ball bearing)	Half-out slide (friction)
Toolless installation	Yes	Yes
Cable Management Arm (CMA) support	Yes (7M27A05700 only)	No
In-rack server maintenance	Yes	No
1U PDU support	Yes	Yes
0U PDU support	Limited*	Limited**
Rack type	Lenovo and IBM 4-post, IEC standard-compliant	Lenovo and IBM 4-post, IEC standard-compliant
Mounting holes	Square or round	Square or round
Mounting flange thickness	2 mm - 3.3 mm (0.08 - 0.13 in.)	2 mm - 3.3 mm (0.08 - 0.13 in.)
Distance between front and rear mounting flanges	610 mm - 864 mm (24 - 34 in.)	610 mm - 864 mm (24 - 34 in.)
Rail length***	730 mm (28.74 in.)	751 mm (29.6 in.)

* For 0U PDU support, the rack must be at least 1100 mm (43.31 in.) deep without a CMA, or at least 1200 mm (47.24 in.) deep if a CMA is used.

** For 0U PDU support with the friction rail kit, the rack must be at least 1000 mm (39.37 in.) deep.

*** Measured when mounted on the rack, from the front surface of the front mounting flange to the rear most point of the rail.

Rack shipment: The following restrictions apply when shipping the SR655 in a rack:

- No 2.5-inch rear drive bays
- No mid drive bays
- Maximum of 1x double-width GPU installed

Operating system support

The server supports the following operating systems:

- Microsoft Windows Server 2016
- Microsoft Windows Server 2019
- Red Hat Enterprise Linux 7.6
- Red Hat Enterprise Linux 8.0
- Red Hat Enterprise Linux 8.1
- SUSE Linux Enterprise Server 12 SP4
- SUSE Linux Enterprise Server 12 SP5
- SUSE Linux Enterprise Server 12 Xen SP4
- SUSE Linux Enterprise Server 12 Xen SP5
- SUSE Linux Enterprise Server 15 SP1
- SUSE Linux Enterprise Server 15 Xen SP1
- VMware ESXi 6.5 U3
- VMware ESXi 6.7 U3

For a complete list of supported, certified and tested operating systems, plus additional details and links to relevant web sites, see the Operating System Interoperability Guide:

<https://lenovopress.com/osig#servers=sr655-7y00-7z01>

For configure-to-order configurations, the server can be preloaded with VMware ESXi installed on M.2 cards. Ordering information is listed in the following table.

Table 64. VMware ESXi preload

Part number	Feature code	Description
CTO only	B6U0	VMware ESXi 6.5 U3 (factory installed)
CTO only	B88T	VMware ESXi 6.7 U3 (factory installed)

Physical and electrical specifications

Dimensions and weight:

- Height: 86 mm (3.4 in.)
- Width: 445 mm (17.5 in.)
- Depth: 765 mm (30.1 in.)
- Maximum weight: 35.4 kg (78.0 lb)

Electrical specifications:

- Electrical - Input voltage
 - 100 - 127 (nominal) V AC, 50 Hz or 60 Hz
 - 200 - 240 (nominal) V AC, 50 Hz or 60 Hz
 - 180 - 300 V DC (China only)
- Inlet current:
 - 100-127 V:
 - 550W power supply: 6.2 A
 - 750W power supply: 8.4 A
 - 1100W power supply: 12 A
 - 200-240 V:
 - 550W power supply: 3.0 A
 - 750W power supply: 4.1 A
 - 1100W power supply: 6 A
 - 1600W power supply: 8.7 A

Operating environment

The ThinkSystem SR655 server complies with ASHRAE Class A2 specifications, and depending on the hardware

configuration, also complies with ASHRAE Class A3 and Class A4 specifications. System performance may be impacted when operating temperature is outside ASHRAE A2 specification.

The restrictions to ASHRAE A2 support are as follows:

- With 24x NVMe front drive bays + 8x mid-chassis drive bays, ambient temperature cannot exceed 30°C
- With 8x 3.5-inch front drives + 6x single-wide GPUs, ambient temperature cannot exceed 30°C
- With 8x 3.5-inch or 8x 2.5-inch front drives + 3x double-wide GPUs, ambient temperature cannot exceed 30°C

See the [GPU adapters](#) section for details.

To comply with ASHRAE A3 and A4 specifications, the server models must meet the following hardware configuration requirements:

- Processor TDP greater than 155W not supported; the only exception is a configuration with 24x 2.5-inch front drive bays, where the processor TDP cannot exceed 120W.
- No support for 12x 3.5-inch front drive bays (the 8x 3.5-inch bay configuration is supported)
- No support for NVMe drives
- No support for rear drive bays or mid drive bays
- No support for GPUs
- No support for M.2
- No support for PCIe flash storage adapters
- No support for OCP networking adapters
- No support for Ethernet adapters of 10GbE or higher

The server is supported in the following environment:

- Air temperature:
 - Operating:
 - ASHRAE Class A2: 10°C to 35°C (50°F to 95°F); the maximum ambient temperature decreases by 1°C for every 300 m (984 ft) increase in altitude above 900 m (2,953 ft).
 - ASHRAE Class A3: 5°C to 40°C (41°F to 104°F); the maximum ambient temperature decreases by 1°C for every 175 m (574 ft) increase in altitude above 900 m (2,953 ft).
 - ASHRAE Class A4: 5°C to 45°C (41°F to 113°F); the maximum ambient temperature decreases by 1°C for every 125 m (410 ft) increase in altitude above 900 m (2,953 ft).
 - Server off: 5°C to 45°C (41°F to 113°F)
 - Shipment/storage: -40°C to 60°C (-40°F to 140°F)
- Maximum altitude: 3,050 m (10,000 ft)
- Relative Humidity (non-condensing):
 - Operating
 - ASHRAE Class A2: 8% to 80%; maximum dew point: 21°C (70°F)
 - ASHRAE Class A3: 8% to 85%; maximum dew point: 24°C (75°F)
 - ASHRAE Class A4: 8% to 90%; maximum dew point: 24°C (75°F)
 - Shipment/storage: 8% to 90%

The server generates the following heat and noise:

- Heat/thermal output:
 - Minimum configuration: 421 BTU/hr, 123 W
 - Maximum configuration: 5606 BTU/hr, 1643 W
- Noise level (LWAm)
 - Sound power, idling: 5.0 bels (minimum), 6.2 bels (typical), 6.5 bels (maximum)
 - Sound power, operating: 5.0 bels (minimum), 6.2 bels (typical), 6.5 bels (maximum)

The server has the following vibration and shock limits:

- Vibration:
 - Operating: 0.21 G rms at 5 Hz to 500 Hz for 15 minutes across 3 axes
 - Non-operating: 1.04 G rms at 2 Hz to 200 Hz for 15 minutes across 6 surfaces
- Shock:
 - Operating: 15 G for 3 milliseconds in each direction (positive and negative X, Y, and Z axes)
 - Non-operating:
 - 23 kg - 31 kg: 35 G for 152 in./sec velocity change across 6 surfaces (3x GPU config, 2.5" config)
 - 32 kg - 68 kg: 35 G for 136 in./sec velocity change across 6 surfaces (20x 3.5" HDD config)

Weight information for SR655 measuring in shock & vibration test:

- 3.5"x 12 HS + 3x DW GPU: 31.74 (kg)
- 3.5"x 12 HS + Mid 3.5"x4 HS + Rear 3.5"x4 HS: 35.74 (kg)
- 2.5"x 24 HS + Mid 2.5"x8 HS + Rear 2.5"x4 HS: 29.49 (kg)

Warranty and Support

The SR655 has a 1-year or 3-year warranty based on the machine type of the system:

- 7Y00: 1 year warranty
- 7Z01: 3 year warranty

The standard warranty terms are customer-replaceable unit (CRU) and onsite (for field-replaceable units FRUs only) with standard call center support during normal business hours and 9x5 Next Business Day Parts Delivered.

Lenovo's additional support services provide a sophisticated, unified support structure for your data center, with an experience consistently ranked number one in customer satisfaction worldwide. Available offerings include:

- **Premier Support**

Premier Support provides a Lenovo-owned customer experience and delivers direct access to technicians skilled in hardware, software, and advanced troubleshooting, in addition to the following:

- Direct technician-to-technician access through a dedicated phone line
- 24x7x365 remote support
- Single point of contact service
- End to end case management
- Third-party collaborative software support
- Online case tools and live chat support
- On-demand remote system analysis

- **Warranty Upgrade (Preconfigured Support)**

Services are available to meet the on-site response time targets that match the criticality of your systems.

- 3, 4, or 5 years of service coverage
- 1-year or 2-year post-warranty extensions
- **Foundation Service:** 9x5 service coverage with next business day onsite response. YourDrive YourData is an optional extra (see below).
- **Essential Service:** 24x7 service coverage with 4-hour onsite response or 24-hour committed repair (available only in select countries). Bundled with YourDrive YourData.
- **Advanced Service:** 24x7 service coverage with 2-hour onsite response or 6-hour committed repair (available only in select countries). Bundled with YourDrive YourData.

- **Managed Services**

Lenovo Managed Services provides continuous 24x7 remote monitoring (plus 24x7 call center availability) and proactive management of a your data center using state of the art tools, systems, and practices by a team of highly skilled and experienced Lenovo services professionals.

Quarterly reviews check error logs, verify firmware & OS device driver levels, and software as needed. We'll also maintain records of latest patches, critical updates, and firmware levels, to ensure you systems are providing business value through optimized performance.

- **Technical Account Management (TAM)**

A Lenovo Technical Account Manager helps you optimize the operation of your data center based on a deep understanding of your business. You gain direct access to your Lenovo TAM, who serves as your single point of contact to expedite service requests, provide status updates, and furnish reports to track incidents over time. In addition, your TAM will help proactively make service recommendations and manage your service relationship with Lenovo to make certain your needs are met.

- **Enterprise Server Software Support**

Enterprise Software Support is an additional support service providing customers with software support on Microsoft, Red Hat, SUSE, and VMware applications and systems. Around the clock availability for critical problems plus unlimited calls and incidents helps customers address challenges fast, without incremental costs. Support staff can answer troubleshooting and diagnostic questions, address product comparability and interoperability issues, isolate causes of problems, report defects to software vendors, and more.

- **YourDrive YourData**

Lenovo's YourDrive YourData is a multi-drive retention offering that ensures your data is always under your control, regardless of the number of drives that are installed in your Lenovo server. In the unlikely event of a drive failure, you retain possession of your drive while Lenovo replaces the failed drive part. Your data stays safely on your premises, in your hands. The YourDrive YourData service can be purchased in convenient bundles, and is optional with Foundation Service. It is bundled with Essential Service and Advanced Service.

- **Health Check**

Having a trusted partner who can perform regular and detailed health checks is central to maintaining efficiency and ensuring that your systems and business are always running at their best. Health Check supports Lenovo-branded server, storage, and networking devices, as well as select Lenovo-supported products from other vendors that are sold by Lenovo or a Lenovo-Authorized Reseller.

Examples of region-specific warranty terms are second or longer business day parts delivery or parts-only base warranty.

If warranty terms and conditions include onsite labor for repair or replacement of parts, Lenovo will dispatch a service technician to the customer site to perform the replacement. Onsite labor under base warranty is limited to labor for replacement of parts that have been determined to be field-replaceable units (FRUs). Parts that are determined to be customer-replaceable units (CRUs) do not include onsite labor under base warranty.

If warranty terms include parts-only base warranty, Lenovo is responsible for delivering only replacement parts that are under base warranty (including FRUs) that will be sent to a requested location for self-service. Parts-only service does not include a service technician being dispatched onsite. Parts must be changed at customer's own cost and labor and defective parts must be returned following the instructions supplied with the spares parts.

Lenovo Service offerings are region-specific. Not all preconfigured support and upgrade options are available in every region. For information about Lenovo service upgrade offerings that are available in your region, refer to the following resources:

- Service part numbers in Lenovo Data Center Solution Configurator (DCSC):
<http://dcsc.lenovo.com/#/services>
- Lenovo Services Availability Locator
<http://lenovocator.com/>

For service definitions, region-specific details, and service limitations, please refer to the following documents:

- Lenovo Statement of Limited Warranty for Data Center Group (DCG) Servers and System Storage
<http://pcsupport.lenovo.com/us/en/solutions/ht503310>
- Lenovo Data Center Services Agreement
<http://support.lenovo.com/us/en/solutions/ht116628>

Services

Lenovo Services is a dedicated partner to your success. Our goal is to reduce your capital outlays, mitigate your IT risks, and accelerate your time to productivity.

Here's a more in-depth look at what we can do for you:

- **Asset Recovery Services**

Asset Recovery Services (ARS) helps customers recover the maximum value from their end-of-life equipment in a cost-effective and secure way. On top of simplifying the transition from old to new equipment, ARS mitigates environmental and data security risks associated with data center equipment disposal. Lenovo ARS is a cash-back solution for equipment based on its remaining market value, yielding maximum value from aging assets and lowering total cost of ownership for your customers. For more information, see the ARS page, <https://lenovopress.com/lp1266-reduce-e-waste-and-grow-your-bottom-line-with-lenovo-ars>.

- **Assessment Services**

An Assessment helps solve your IT challenges through an onsite, multi-day session with a Lenovo technology expert. We perform a tools based assessment which provides a comprehensive and thorough review of a company's environment and technology systems. In addition to the technology based functional requirements, the consultant also discusses and records the non-functional business requirements, challenges, and constraints. Assessments help organizations like yours, no matter how large or small, get a better return on your IT investment and overcome challenges in the ever-changing technology landscape.

- **Design Services**

Professional Services consultants perform infrastructure design and implementation planning to support your strategy. The high-level architectures provided by the assessment service are turned into low level designs and wiring diagrams, which are reviewed and approved prior to implementation. The implementation plan will demonstrate an outcome-based proposal to provide business capabilities through infrastructure with a risk-mitigated project plan.

- **Basic Hardware Installation**

Lenovo experts can seamlessly manage the physical installation of your server, storage, or networking hardware. Working at a time convenient for you (business hours or off shift), the technician will unpack and inspect the systems on your site, install options, mount in a rack cabinet, connect to power and network, check and update firmware to the latest levels, verify operation, and dispose of the packaging, allowing your team to focus on other priorities.

- **Deployment Services**

When investing in new IT infrastructures, you need to ensure your business will see quick time to value with little to no disruption. Lenovo deployments are designed by development and engineering teams who know our Products & Solutions better than anyone else, and our technicians own the process from delivery to completion. Lenovo will conduct remote preparation and planning, configure & integrate systems, validate systems, verify and update appliance firmware, train on administrative tasks, and provide post-deployment documentation. Customer's IT teams leverage our skills to enable IT staff to transform with higher level roles and tasks.

- **Integration, Migration, and Expansion Services**

Move existing physical & virtual workloads easily, or determine technical requirements to support increased workloads while maximizing performance. Includes tuning, validation, and documenting ongoing run processes. Leverage migration assessment planning documents to perform necessary migrations.

Some service options may not be available in all countries. For more information, go to <https://www.lenovo.com/systems/services>. For information about Lenovo service upgrade offerings that are available in your region, contact your local Lenovo sales representative or business partner.

Regulatory compliance

The SR655 server conforms to the following standards:

- Energy Star 3.0
- FCC: Verified to comply with Part 15 of the FCC Rules, Class A
- Canada ICES-003, issue 6, Class A
- UL/IEC 60950-1
- CSA C22.2 No. 60950-1
- NOM-019
- Argentina IEC60950-1
- Japan VCCI, Class A
- Australia/New Zealand AS/NZS CISPR 32, Class A; AS/NZS 60950.1
- IEC 60950-1 (CB Certificate and CB Test Report)
- China CCC (GB4943.1), GB9254 Class A, GB17625.1
- Taiwan BSMI CNS13438, Class A; CNS14336-1
- Korea KN32, Class A; KN35
- Russia, Belorussia and Kazakhstan, EAC: TP TC 004/2011(for Safety); TP TC 020/2011(for EMC)
- CE Mark (EN55032 Class A, EN60950-1, EN55024, EN61000-3-2, and EN61000-3-3)
- CISPR 32, Class A
- TUV-GS (EN60950-1 /IEC60950-1, EK1-ITB2000)
- India BIS certification

External drive enclosures

The server supports attachment to external drive enclosures using a RAID controller with external ports or a SAS host bus adapter. Adapters supported by the server are listed in the [SAS adapters for external storage](#) section.

Note: Information provided in this section is for ordering reference purposes only. For the operating system and adapter support details, refer to the interoperability matrix for a particular storage enclosure that can be found on the Lenovo Data Center Support web site:

<http://datacentersupport.lenovo.com>

Table 65. External drive enclosures

Description	Part number		
	Worldwide	Japan	PRC
Lenovo Storage D1212 LFF Disk Expansion with Dual SAS IO Modules	4587A11	4587A1J	4587A1C
Lenovo Storage D1224 SFF Disk Expansion with Dual SAS IO Modules	4587A31	4587A3J	4587A3C
Lenovo Storage D3284 4TB x 84 HD Expansion Enclosure	641311F		
Lenovo Storage D3284 6TB x 84 HD Expansion Enclosure	641312F		
Lenovo Storage D3284 8TB x 84 HD Expansion Enclosure	641313F		
Lenovo Storage D3284 10TB x 84 HD Expansion Enclosure	641314F		

For details about supported drives, adapters, and cables, see the following Lenovo Press Product Guides:

- Lenovo Storage D1212 and D1224
<http://lenovopress.com/lp0512>
- Lenovo Storage D3284
<http://lenovopress.com/lp0513>

External storage systems

The following table lists the external storage systems that are currently offered by Lenovo.

Note: Information provided in this section is for ordering reference purposes only. End-to-end storage configuration support *must* be verified through the interoperability matrix for a particular storage system that can be found on the Lenovo Data Center Support web site:

<http://datacentersupport.lenovo.com>

Table 66. External storage systems: DE Series

Description	Part number	
	Worldwide	Japan
Lenovo ThinkSystem DE Series Storage (SAS connectivity)		
Lenovo ThinkSystem DE2000H SAS Hybrid Flash Array LFF (16 GB cache)	7Y70A000WW	7Y701003JP
Lenovo ThinkSystem DE2000H SAS Hybrid Flash Array SFF (16 GB cache)	7Y71A000WW	7Y711003JP
Lenovo ThinkSystem DE4000H SAS Hybrid Flash Array 4U60 (16 GB cache)	7Y77A002WW	7Y771000JP
Lenovo ThinkSystem DE4000H SAS Hybrid Flash Array LFF (16 GB cache)	7Y74A000WW	7Y74A000JP
Lenovo ThinkSystem DE4000H SAS Hybrid Flash Array SFF (16 GB cache)	7Y75A000WW	7Y75A000JP
Lenovo ThinkSystem DE4000F SAS All Flash Array SFF (16 GB cache)	7Y76A000WW	7Y76A000JP
Lenovo ThinkSystem DE4000F SAS All Flash Array SFF (64 GB cache)	7Y76A005WW	7Y76A008JP
Lenovo ThinkSystem DE6000H SAS Hybrid Flash Array 4U60 (32 GB cache)	7Y80A000WW	7Y801002JP
Lenovo ThinkSystem DE6000H SAS Hybrid Flash Array SFF (32 GB cache)	7Y78A000WW	7Y781002JP
Lenovo ThinkSystem DE6000F SAS All Flash Array SFF (128 GB cache)	7Y79A000WW	7Y79A000JP
Lenovo ThinkSystem DE Series Storage (iSCSI connectivity)		
Lenovo ThinkSystem DE2000H 10GBASE-T Hybrid Flash Array LFF (16 GB cache)	7Y70A003WW	7Y701001JP
Lenovo ThinkSystem DE2000H 10GBASE-T Hybrid Flash Array SFF (16 GB cache)	7Y71A002WW	7Y711005JP
Lenovo ThinkSystem DE2000H iSCSI Hybrid Flash Array LFF (16 GB cache)	7Y70A004WW	7Y701000JP
Lenovo ThinkSystem DE2000H iSCSI Hybrid Flash Array SFF (16 GB cache)	7Y71A003WW	7Y711006JP
Lenovo ThinkSystem DE4000H iSCSI Hybrid Flash Array 4U60 (16 GB cache)	7Y77A000WW	7Y771002JP
Lenovo ThinkSystem DE4000H iSCSI Hybrid Flash Array LFF (16 GB cache)	7Y74A002WW	7Y74A002JP
Lenovo ThinkSystem DE4000H iSCSI Hybrid Flash Array SFF (16 GB cache)	7Y75A001WW	7Y75A001JP
Lenovo ThinkSystem DE4000F iSCSI All Flash Array SFF (16 GB cache)	7Y76A002WW	7Y76A002JP
Lenovo ThinkSystem DE4000F iSCSI All Flash Array SFF (64 GB cache)	7Y76A007WW	7Y76A00AJP
Lenovo ThinkSystem DE6000H iSCSI Hybrid Flash Array 4U60 (32 GB cache)	7Y80A002WW	7Y801000JP
Lenovo ThinkSystem DE6000H iSCSI Hybrid Flash Array SFF (32 GB cache)	7Y78A002WW	7Y781000JP
Lenovo ThinkSystem DE6000F iSCSI All Flash Array SFF (128 GB cache)	7Y79A002WW	7Y79A002JP
Lenovo ThinkSystem DE Series Storage (FC connectivity)		
Lenovo ThinkSystem DE2000H FC Hybrid Flash Array LFF (16 GB cache)	7Y70A002WW	7Y701002JP
Lenovo ThinkSystem DE2000H FC Hybrid Flash Array SFF (16 GB cache)	7Y71A001WW	7Y711004JP
Lenovo ThinkSystem DE4000H FC Hybrid Flash Array 4U60 (16 GB cache)	7Y77A001WW	7Y771001JP
Lenovo ThinkSystem DE4000H FC Hybrid Flash Array LFF (16 GB cache)	7Y74A001WW	7Y74A001JP
Lenovo ThinkSystem DE4000H FC Hybrid Flash Array SFF (16 GB cache)	7Y75A002WW	7Y75A002JP
Lenovo ThinkSystem DE4000F FC All Flash Array SFF (16 GB cache)	7Y76A001WW	7Y76A001JP
Lenovo ThinkSystem DE4000F FC All Flash Array SFF (64 GB cache)	7Y76A006WW	7Y76A009JP
Lenovo ThinkSystem DE6000H FC Hybrid Flash Array 4U60 (32 GB cache)	7Y80A001WW	7Y801001JP
Lenovo ThinkSystem DE6000H FC Hybrid Flash Array SFF (32 GB cache)	7Y78A001WW	7Y781001JP
Lenovo ThinkSystem DE6000F FC All Flash Array SFF (128 GB cache)	7Y79A001WW	7Y79A001JP

Table 67. External storage systems: DM Series

Description	Part number
Lenovo ThinkSystem DM Series Storage (NAS or iSCSI connectivity)	
ThinkSystem DM3000H, 48TB (12x 4TB HDDs), 10GBASE-T, ONTAP 9.5 Fundamentals	7Y421003EA*
ThinkSystem DM3000H, 48TB (12x 4TB HDDs), 10GBASE-T, ONTAP 9.5	7Y421007EA*
ThinkSystem DM3000H, 96TB (12x 8TB HDDs), 10GBASE-T, ONTAP 9.5 Fundamentals	7Y421005EA*
ThinkSystem DM3000H, 96TB (12x 8TB HDDs), 10GBASE-T, ONTAP 9.5	7Y421001EA*
ThinkSystem DM5000H, 11.5TB (12x 960GB SSDs), 10GBASE-T, ONTAP 9.5 Fundamentals	7Y571004EA*
ThinkSystem DM5000H, 11.5TB (12x 960GB SSDs), 10GBASE-T, ONTAP 9.5	7Y57100LEA*
ThinkSystem DM5000H, 14.4TB (12x 1.2TB HDDs), 10GBASE-T, ONTAP 9.5 Fundamentals	7Y57100CEA*
ThinkSystem DM5000H, 21.6TB (12x 1.8TB HDDs), 10GBASE-T, ONTAP 9.5 Fundamentals	7Y57100GEA*
ThinkSystem DM5000H, 23TB (24x 960GB SSDs), 10GBASE-T, ONTAP 9.5 Fundamentals	7Y571006EA*
ThinkSystem DM5000H, 23TB (24x 960GB SSDs), 10GBASE-T, ONTAP 9.5	7Y57100NEA*
ThinkSystem DM5000H, 28.8TB (24x 1.2TB HDDs), 10GBASE-T, ONTAP 9.5 Fundamentals	7Y57100EEA*
ThinkSystem DM5000H, 28.8TB (24x 1.2TB HDDs), 10GBASE-T, ONTAP 9.5	7Y57100VEA*
ThinkSystem DM5000H, 43.2TB (24x 1.8TB HDDs), 10GBASE-T, ONTAP 9.5 Fundamentals	7Y57100JEA*
ThinkSystem DM5000H, 43.2TB (24x 1.8TB HDDs), 10GBASE-T, ONTAP 9.5	7Y571002EA*
ThinkSystem DM5000H, 46TB (12x 3.84TB SSDs), 10GBASE-T, ONTAP 9.5 Fundamentals	7Y571008EA*
ThinkSystem DM5000H, 46TB (12x 3.84TB SSDs), 10GBASE-T, ONTAP 9.5	7Y57100QEA*
ThinkSystem DM5000H, 92TB (24x 3.84TB SSDs), 10GBASE-T, ONTAP 9.5 Fundamentals	7Y57100AEA*
ThinkSystem DM5000H, 92TB (24x 3.84TB SSDs), 10GBASE-T, ONTAP 9.5	7Y57100REA*
ThinkSystem DM5000F, 11.5TB (12x 960GB SSDs), 10GBASE-T, ONTAP 9.5	7Y411002EA*
ThinkSystem DM5000F, 23TB (24x 960GB SSDs), 10GBASE-T, ONTAP 9.5	7Y411004EA*
ThinkSystem DM5000F, 46TB (12x 3.84TB SSDs), 10GBASE-T, ONTAP 9.5	7Y411006EA*
ThinkSystem DM5000F, 92TB (24x 3.84TB SSDs), 10GBASE-T, ONTAP 9.5	7Y411007EA*
Lenovo ThinkSystem DM Series Storage (NAS, iSCSI, or FC connectivity)	
ThinkSystem DM3000H Hybrid Storage Array (2U12 LFF, CTO only)	7Y42CTO1WW
ThinkSystem DM3000H, 48TB (12x 4TB HDDs), 16Gb FC / 10GbE SFP+, ONTAP 9.5 Fundamentals	7Y421009NA*
ThinkSystem DM3000H, 48TB (12x 4TB HDDs), 16Gb FC / 10GbE SFP+, ONTAP 9.5 Fundamentals	7Y421002EA*
ThinkSystem DM3000H, 48TB (12x 4TB HDDs), 16Gb FC / 10GbE SFP+, ONTAP 9.5	7Y421006EA*
ThinkSystem DM3000H, 96TB (12x 8TB HDDs), 16Gb FC / 10GbE SFP+, ONTAP 9.5 Fundamentals	7Y421004EA*
ThinkSystem DM3000H, 96TB (12x 8TB HDDs), 16Gb FC / 10GbE SFP+, ONTAP 9.5	7Y421008EA*
ThinkSystem DM5000H Hybrid Storage Array (2U24 SFF, CTO only)	7Y57CTO1WW
ThinkSystem DM5000H, 11.5TB (12x 960GB SSDs), 16Gb FC / 10GbE SFP+, ONTAP 9.5 Fundamentals	7Y571011NA*
ThinkSystem DM5000H, 11.5TB (12x 960GB SSDs), 16Gb FC / 10GbE SFP+, ONTAP 9.5 Fundamentals	7Y571003EA*
ThinkSystem DM5000H, 11.5TB (12x 960GB SSDs), 16Gb FC / 10GbE SFP+, ONTAP 9.5	7Y57100KEA*
ThinkSystem DM5000H, 14.4TB (12x 1.2TB HDDs), 16Gb FC / 10GbE SFP+, ONTAP 9.5 Fundamentals	7Y57100BEA*
ThinkSystem DM5000H, 21.6TB (12x 1.8TB HDDs), 16Gb FC / 10GbE SFP+, ONTAP 9.5 Fundamentals	7Y57100FEA*
ThinkSystem DM5000H, 23TB (24x 960GB SSDs), 16Gb FC / 10GbE SFP+, ONTAP 9.5 Fundamentals	7Y571005EA*
ThinkSystem DM5000H, 23TB (24x 960GB SSDs), 16Gb FC / 10GbE SFP+, ONTAP 9.5	7Y57100MEA*
ThinkSystem DM5000H, 28.8TB (24x 1.2TB HDDs), 16Gb FC / 10GbE SFP+, ONTAP 9.5 Fundamentals	7Y57100DEA*
ThinkSystem DM5000H, 43.2TB (24x 1.8TB HDDs), 16Gb FC / 10GbE SFP+, ONTAP 9.5 Fundamentals	7Y571010NA*
ThinkSystem DM5000H, 43.2TB (24x 1.8TB HDDs), 16Gb FC / 10GbE SFP+, ONTAP 9.5 Fundamentals	7Y57100HEA*
ThinkSystem DM5000H, 43.2TB (24x 1.8TB HDDs), 16Gb FC / 10GbE SFP+, ONTAP 9.5	7Y57100ZEA*

Description	Part number
ThinkSystem DM5000H, 46TB (12x 3.84TB SSDs), 16Gb FC / 10GbE SFP+, ONTAP 9.5 Fundamentals	7Y571007EA*
ThinkSystem DM5000H, 46TB (12x 3.84TB SSDs), 16Gb FC / 10GbE SFP+, ONTAP 9.5	7Y57100PEA*
ThinkSystem DM5000H, 92TB (24x 3.84TB SSDs), 16Gb FC / 10GbE SFP+, ONTAP 9.5 Fundamentals	7Y571009EA*
ThinkSystem DM5000H, 92TB (24x 3.84TB SSDs), 16Gb FC / 10GbE SFP+, ONTAP 9.5	7Y57100SEA*
ThinkSystem DM5000F Flash Storage Array (2U24 SFF, CTO only)	7Y41CTO1WW
ThinkSystem DM5000F, 11.5TB (12x 960GB SSDs), 16Gb FC / 10GbE SFP+, ONTAP 9.5	7Y411001EA*
ThinkSystem DM5000F, 23TB (24x 960GB SSDs), 16Gb FC / 10GbE SFP+, ONTAP 9.5	7Y411003EA*
ThinkSystem DM5000F, 46TB (12x 3.84TB SSDs), 16Gb FC / 10GbE SFP+, ONTAP 9.5	7Y411005EA*
ThinkSystem DM5000F, 92TB (24x 3.84TB SSDs), 16Gb FC / 10GbE SFP+, ONTAP 9.5	7Y411000EA*
ThinkSystem DM7000H Hybrid Storage Array (3U, CTO only)	7Y56CTO1WW
ThinkSystem DM7000F Flash Storage Array (3U, CTO only)	7Y40CTO1WW
ThinkSystem DM7100H Hybrid Storage Array (4U, CTO only)	7D26CTO1WW
ThinkSystem DM7100F Flash Storage Array (4U, CTO only)	7D25CTO1WW

* Preconfigured models that are available only in North America (part numbers that have NA at the end) or EMEA (part numbers that have EA at the end) and require Preconfigured support to be purchased with the storage system (See the respective product guide for details).

For more information, see the list of Product Guides in the Lenovo Storage category:
<http://lenovopress.com/storage/san/lenovo#rt=product-guide>

External backup units

The server supports both USB-attached RDX backup units and SAS-attached tape drives.

The following table lists the available external SAS tape backup options.

Tip: Verify the end-to-end support of an IBM tape backup solution through the IBM System Storage Interoperation Center (SSIC): <http://www.ibm.com/systems/support/storage/ssic>

Table 68. External SAS backup options

Part number	Description
External SAS tape backup drives	
6160S6E	IBM TS2260 Tape Drive Model H6S
6160S7E	IBM TS2270 Tape Drive Model H7S
6160S8E	IBM TS2280 Tape Drive Model H8S
External SAS tape backup autoloaders	
6171S6R	IBM TS2900 Tape Autoloader w/LTO6 HH SAS
6171S7R	IBM TS2900 Tape Autoloader w/LTO7 HH SAS
6171S8R	IBM TS2900 Tape Autoloader w/LTO8 HH SAS
External tape backup libraries	
6741A1F	IBM TS4300 3U Tape Library-Base Unit
SAS backup drives for TS4300 Tape Library	
01KP934	LTO 6 HH SAS Drive
01KP937	LTO 7 HH SAS Drive
01KP953	LTO 8 HH SAS Drive

For more information, see the list of Product Guides in the Backup units category: <https://lenovopress.com/servers/options/backup>

The following table lists the external RDX backup options available.

Table 69. External RDX dock and cartridges

Part number	Feature code	Description
External RDX docks		
4T27A10725	B32R	ThinkSystem RDX External USB 3.0 Dock (No cartridge included with the drive)
Cartridges		
7TP7A01601	AVF8	ThinkSystem RDX 500GB Cartridge
7TP7A01602	AVF1	ThinkSystem RDX 1TB Cartridge
7TP7A01603	AVF0	ThinkSystem RDX 2TB Cartridge
7TP7A04318	AXD1	ThinkSystem RDX 4TB Cartridge

For more information, see the Lenovo RDX USB 3.0 Disk Backup Solution product guide: <https://lenovopress.com/tips0894-rdx-usb-30>

Top-of-rack Ethernet switches

The following table lists the Ethernet LAN switches that are offered by Lenovo.

Table 70. Ethernet LAN switches

Part number	Description
1 Gb Ethernet Rack switches	
7Y810011WW	Lenovo ThinkSystem NE0152T RackSwitch (Rear to Front)
7Z320011WW	Lenovo ThinkSystem NE0152TO RackSwitch (Rear to Front, ONIE)
7159BAX	Lenovo RackSwitch G7028 (Rear to Front)
7159CAX	Lenovo RackSwitch G7052 (Rear to Front)
7159G52	Lenovo RackSwitch G8052 (Rear to Front)
7165H1X	Juniper EX2300-C PoE Switch
7165H2X	Juniper EX2300-24p PoE Switch
1 Gb Ethernet Campus switches	
7Z340011WW	Lenovo CE0128TB Switch (3-Year Warranty)
7Z360011WW	Lenovo CE0128TB Switch (Limited Lifetime Warranty)
7Z340012WW	Lenovo CE0128PB Switch (3-Year Warranty)
7Z360012WW	Lenovo CE0128PB Switch (Limited Lifetime Warranty)
7Z350021WW	Lenovo CE0152TB Switch (3-Year Warranty)
7Z370021WW	Lenovo CE0152TB Switch (Limited Lifetime Warranty)
7Z350022WW	Lenovo CE0152PB Switch (3-Year Warranty)
7Z370022WW	Lenovo CE0152PB Switch (Limited Lifetime Warranty)
10 Gb Ethernet switches	
7159A1X	Lenovo ThinkSystem NE1032 RackSwitch (Rear to Front)
7159B1X	Lenovo ThinkSystem NE1032T RackSwitch (Rear to Front)
7Z330011WW	Lenovo ThinkSystem NE1064TO RackSwitch (Rear to Front, ONIE)
7159C1X	Lenovo ThinkSystem NE1072T RackSwitch (Rear to Front)
7159CRW	Lenovo RackSwitch G8272 (Rear to Front)
7159GR6	Lenovo RackSwitch G8296 (Rear to Front)
25 Gb Ethernet switches	
7159E1X	Lenovo ThinkSystem NE2572 RackSwitch (Rear to Front)
7Z210021WW	Lenovo ThinkSystem NE2572O RackSwitch (Rear to Front, ONIE)
7Z330021WW	Lenovo ThinkSystem NE2580O RackSwitch (Rear to Front, ONIE)
100 Gb Ethernet switches	
7159D1X	Lenovo ThinkSystem NE10032 RackSwitch (Rear to Front)
7Z210011WW	Lenovo ThinkSystem NE10032O RackSwitch (Rear to Front, ONIE)

For more information, see the list of Product Guides in the following switch categories:

- 1 Gb Ethernet switches: <http://lenovopress.com/networking/tor/1gb?rt=product-guide>
- 10 Gb Ethernet switches: <http://lenovopress.com/networking/tor/10gb?rt=product-guide>
- 25 Gb Ethernet switches: <http://lenovopress.com/networking/tor/25gb?rt=product-guide>
- 40 Gb Ethernet switches: <http://lenovopress.com/networking/tor/40gb?rt=product-guide>
- 100 Gb Ethernet switches: <https://lenovopress.com/networking/tor/100Gb?rt=product-guide>

Fibre Channel SAN switches

The following table lists the Fibre Channel SAN switches that are offered by Lenovo and can be used with this system.

Table 71. Fibre Channel SAN switches

Description	Part number
8 Gb FC	
Lenovo B300, E_Port License, 8 ports licensed, 8x 8Gb SWL SFPs, 1 PS, Rail Kit, 1Yr FW	3873AR6
16 Gb FC	
Lenovo ThinkSystem DB610S, 8 ports licensed, 8x 16Gb SWL SFPs, 1 PS, Rail Kit, 1Yr FW	6559F2A
Lenovo ThinkSystem DB610S, ENT., 24 ports licensed, 24x 16Gb SWL SFPs, 1 PS, Rail Kit, 1Yr FW	6559F1A
Lenovo ThinkSystem DB620S, 24 ports licensed, 24x 16Gb SWL SFPs, 2 PS, Rail Kit, 1Yr FW	6415J1A
Lenovo B6505, 12 ports licensed, 12x 16Gb SWL SFPs, 1 PS, Rail Kit, 1Yr FW	3873ER1
Lenovo B6510, 24 ports licensed, 24x 16Gb SWL SFPs, 2 PS, Rail Kit, 1Yr FW	3873IR1
Lenovo B6510, 24 ports licensed, 24x 16Gb SWL SFPs, 2 PS, Rail Kit, 3Yr FW	3873BR3
32 Gb FC	
Lenovo ThinkSystem DB610S, 8 ports licensed, No SFPs, 1 PS, Rail Kit, 1Yr FW	6559F3A
Lenovo ThinkSystem DB620S, 24 ports licensed, No SFPs, 2 PS, Rail Kit, 1Yr FW	6415G3A
Lenovo ThinkSystem DB620S, 24 ports licensed, 24x 32Gb SWL SFPs, 2 PS, Rail Kit, 1Yr FW	6415H11
Lenovo ThinkSystem DB620S, ENT., 48 ports licensed, 48x 32Gb SWL SFPs, 2 PS, Rail Kit, 1Yr FW	6415H2A
Lenovo ThinkSystem DB630S, 48 ports licensed, No SFPs, 2 PS, Rail Kit, 1Yr FW	7D1SA001WW
Lenovo ThinkSystem DB630S, 48 ports licensed, 48x 32Gb SWL SFPs, 2 PS, Rail Kit, 1Yr FW	7D1SA002WW
Lenovo ThinkSystem DB630S, ENT., 96 ports licensed, 96x 32Gb SWL SFPs, 2 PS, Rail Kit, 1Yr FW	7D1SA003WW
Lenovo ThinkSystem DB400D 32Gb FC Director, ENT., 4 Blade slots, 8U, 1Yr FW	6684D2A
Lenovo ThinkSystem DB400D 32Gb FC Director, ENT., 4 Blade slots, 8U, 3Yr FW	6684B2A
Lenovo ThinkSystem DB800D 32Gb FC Director, ENT., 8 Blade slots, 14U, 1Yr FW	6682D1A

For more information, see the list of Product Guides in the Rack SAN Switches category:

<http://lenovopress.com/storage/switches/rack#rt=product-guide>

Uninterruptible power supply units

The following table lists the uninterruptible power supply (UPS) units that are offered by Lenovo.

Table 72. Uninterruptible power supply units

Part number	Description
55941AX	RT1.5kVA 2U Rack or Tower UPS (100-125VAC)
55941KX	RT1.5kVA 2U Rack or Tower UPS (200-240VAC)
55942AX	RT2.2kVA 2U Rack or Tower UPS (100-125VAC)
55942KX	RT2.2kVA 2U Rack or Tower UPS (200-240VAC)
55943AX	RT3kVA 2U Rack or Tower UPS (100-125VAC)
55943KX	RT3kVA 2U Rack or Tower UPS (200-240VAC)
55945KX	RT5kVA 3U Rack or Tower UPS (200-240VAC)
55946KX	RT6kVA 3U Rack or Tower UPS (200-240VAC)
55948KX	RT8kVA 6U Rack or Tower UPS (200-240VAC)
55949KX	RT11kVA 6U Rack or Tower UPS (200-240VAC)
55948PX	RT8kVA 6U 3:1 Phase Rack or Tower UPS (380-415VAC)
55949PX	RT11kVA 6U 3:1 Phase Rack or Tower UPS (380-415VAC)
55943KT†	ThinkSystem RT3kVA 2U Standard UPS (200-230VAC) (2x C13 10A, 2x GB 10A, 1x C19 16A outlets)
55943LT†	ThinkSystem RT3kVA 2U Long Backup UPS (200-230VAC) (2x C13 10A, 2x GB 10A, 1x C19 16A outlets)
55946KT†	ThinkSystem RT6kVA 5U UPS (200-230VAC) (2x C13 10A outlets, 1x Terminal Block output)
5594XKT†	ThinkSystem RT10kVA 5U UPS (200-230VAC) (2x C13 10A outlets, 1x Terminal Block output)

† Only available in China and countries in the Asia Pacific region.

For more information, see the list of Product Guides in the UPS category:

<https://lenovopress.com/servers/options/ups>

Power distribution units

The following table lists the power distribution units (PDUs) that are offered by Lenovo.

Table 73. Power distribution units

Part number	Description
0U Basic PDUs	
00YJ776	0U 36 C13/6 C19 24A/200-240V 1 Phase PDU with NEMA L6-30P line cord
00YJ777	0U 36 C13/6 C19 32A/200-240V 1 Phase PDU with IEC60309 332P6 line cord
00YJ778	0U 21 C13/12 C19 32A/200-240V/346-415V 3 Phase PDU with IEC60309 532P6 line cord
00YJ779	0U 21 C13/12 C19 48A/200-240V 3 Phase PDU with IEC60309 460P9 line cord
Switched and Monitored PDUs	
00YJ780	0U 20 C13/4 C19 Switched and Monitored 32A/200-240V/1Ph PDU w/ IEC60309 332P6 line cord
00YJ781	0U 20 C13/4 C19 Switched and Monitored 24A/200-240V/1Ph PDU w/ NEMA L6-30P line cord
00YJ782	0U 18 C13/6 C19 Switched / Monitored 32A/200-240V/346-415V/3Ph PDU w/ IEC60309 532P6 cord
00YJ783	0U 12 C13/12 C19 Switched and Monitored 48A/200-240V/3Ph PDU w/ IEC60309 460P9 line cord
46M4002*	1U 9 C19/3 C13 Switched and Monitored DPI PDU (without line cord)
46M4003*	1U 9 C19/3 C13 Switched and Monitored 60A 3 Phase PDU with IEC 309 3P+Gnd line cord
46M4004*	1U 12 C13 Switched and Monitored DPI PDU (without line cord)
46M4005*	1U 12 C13 Switched and Monitored 60A 3 Phase PDU with IEC 309 3P+Gnd line cord
Ultra Density Enterprise PDUs (9x IEC 320 C13 + 3x IEC 320 C19 outlets)	
71762NX	Ultra Density Enterprise C19/C13 PDU Module (without line cord)
71763NU	Ultra Density Enterprise C19/C13 PDU 60A/208V/3ph with IEC 309 3P+Gnd line cord
C13 Enterprise PDUs (12x IEC 320 C13 outlets)	
39M2816	DPI C13 Enterprise PDU+ (without line cord)
39Y8941	DPI Single Phase C13 Enterprise PDU (without line cord)
C19 Enterprise PDUs (6x IEC 320 C19 outlets)	
39Y8948	DPI Single Phase C19 Enterprise PDU (without line cord)
39Y8923	DPI 60A 3 Phase C19 Enterprise PDU with IEC 309 3P+G (208 V) fixed line cord
Front-end PDUs (3x IEC 320 C19 outlets)	
39Y8938	DPI 30amp/125V Front-end PDU with NEMA L5-30P line cord
39Y8939	DPI 30amp/250V Front-end PDU with NEMA L6-30P line cord
39Y8934	DPI 32amp/250V Front-end PDU with IEC 309 2P+Gnd line cord
39Y8940	DPI 60amp/250V Front-end PDU with IEC 309 2P+Gnd line cord
39Y8935	DPI 63amp/250V Front-end PDU with IEC 309 2P+Gnd line cord
NEMA PDUs (6x NEMA 5-15R outlets)	
39Y8905	DPI 100-127V PDU with Fixed NEMA L5-15P line cord
Line cords for PDUs that ship without a line cord	
40K9611	DPI 32a Line Cord (IEC 309 3P+N+G)
40K9612	DPI 32a Line Cord (IEC 309 P+N+G)
40K9613	DPI 63a Cord (IEC 309 P+N+G)
40K9614	DPI 30a Line Cord (NEMA L6-30P)
40K9615	DPI 60a Cord (IEC 309 2P+G)
40K9617	DPI Australian/NZ 3112 Line Cord
40K9618	DPI Korean 8305 Line Cord

* Not available in USA and Canada

For more information, see the Lenovo Press documents in the PDU category:

<https://lenovopress.com/servers/options/pdu>

Rack cabinets

The following table lists the supported rack cabinets.

Table 74. Rack cabinets

Part number	Description
93072RX	25U Standard Rack
93072PX	25U Static S2 Standard Rack
93634PX	42U 1100mm Dynamic Rack
93634EX	42U 1100mm Dynamic Expansion Rack
93604PX	42U 1200mm Deep Dynamic Rack
93614PX	42U 1200mm Deep Static Rack
93084EX	42U Enterprise Expansion Rack
93084PX	42U Enterprise Rack
93074RX	42U Standard Rack
Withdrawn rack cabinets	
201886X*	11U Office Enablement Kit
93604EX*	42U 1200mm Deep Dynamic Expansion Rack
93614EX*	42U 1200mm Deep Static Expansion Rack
93074XX*	42U Standard Rack Extension
93624PX*	47U 1200mm Deep Static Rack
93624EX*	47U 1200mm Deep Static Expansion Rack
93634BX*	PureFlex System 42U Expansion Rack
93634DX*	PureFlex System 42U Expansion Rack
93634AX*	PureFlex System 42U Rack
93634CX*	PureFlex System 42U Rack

* Withdrawn from marketing

For specifications about these racks, see the Lenovo Rack Cabinet Reference, available from:

<https://lenovopress.com/lp1287-lenovo-rack-cabinet-reference>

For more information, see the list of Product Guides in the Rack cabinets category:

<https://lenovopress.com/servers/options/racks>

KVM console options

The following table lists the supported KVM consoles, keyboards, and KVM switches.

Table 75. Console keyboards

Part number	Description
Consoles	
17238BX	1U 18.5" Standard Console (without keyboard)
Console keyboards	
7ZB7A05469	ThinkSystem Keyboard w/ Int. Pointing Device USB - Arabic 253 RoHS v2
7ZB7A05468	ThinkSystem Keyboard w/ Int. Pointing Device USB - Belg/UK 120 RoHS v2
7ZB7A05206	ThinkSystem Keyboard w/ Int. Pointing Device USB - Czech 489 RoHS v2
7ZB7A05207	ThinkSystem Keyboard w/ Int. Pointing Device USB - Danish 159 RoHS v2
7ZB7A05208	ThinkSystem Keyboard w/ Int. Pointing Device USB - Dutch 143 RoHS v2
7ZB7A05210	ThinkSystem Keyboard w/ Int. Pointing Device USB - Fr/Canada 445 RoHS v2
7ZB7A05209	ThinkSystem Keyboard w/ Int. Pointing Device USB - French 189 RoHS v2
7ZB7A05211	ThinkSystem Keyboard w/ Int. Pointing Device USB - German 129 RoHS v2
7ZB7A05212	ThinkSystem Keyboard w/ Int. Pointing Device USB - Greek 219 RoHS v2
7ZB7A05213	ThinkSystem Keyboard w/ Int. Pointing Device USB - Hebrew 212 RoHS v2
7ZB7A05214	ThinkSystem Keyboard w/ Int. Pointing Device USB - Hungarian 208 RoHS v2
7ZB7A05215	ThinkSystem Keyboard w/ Int. Pointing Device USB - Italian 141 RoHS v2
7ZB7A05216	ThinkSystem Keyboard w/ Int. Pointing Device USB - Japanese 194 RoHS v2
7ZB7A05217	ThinkSystem Keyboard w/ Int. Pointing Device USB - Korean 413 RoHS v2
7ZB7A05218	ThinkSystem Keyboard w/ Int. Pointing Device USB - LA Span 171 RoHS v2
7ZB7A05219	ThinkSystem Keyboard w/ Int. Pointing Device USB - Norwegian 155 RoHS v2
7ZB7A05220	ThinkSystem Keyboard w/ Int. Pointing Device USB - Polish 214 RoHS v2
7ZB7A05221	ThinkSystem Keyboard w/ Int. Pointing Device USB - Portuguese 163 RoHS v2
7ZB7A05222	ThinkSystem Keyboard w/ Int. Pointing Device USB - Russian 441 RoHS v2
7ZB7A05223	ThinkSystem Keyboard w/ Int. Pointing Device USB - Slovak 245 RoHS v2
7ZB7A05231	ThinkSystem Keyboard w/ Int. Pointing Device USB - Slovenian 234 RoHS v2
7ZB7A05224	ThinkSystem Keyboard w/ Int. Pointing Device USB - Spanish 172 RoHS v2
7ZB7A05225	ThinkSystem Keyboard w/ Int. Pointing Device USB - Swed/Finn 153 RoHS v2
7ZB7A05226	ThinkSystem Keyboard w/ Int. Pointing Device USB - Swiss F/G 150 RoHS v2
7ZB7A05227	ThinkSystem Keyboard w/ Int. Pointing Device USB - Thai 191 RoHS v2
7ZB7A05467	ThinkSystem Keyboard w/ Int. Pointing Device USB - Trad Chinese/US 467 RoHS v2
7ZB7A05228	ThinkSystem Keyboard w/ Int. Pointing Device USB - Turkish 179 RoHS v2
7ZB7A05229	ThinkSystem Keyboard w/ Int. Pointing Device USB - UK Eng 166 RoHS v2
7ZB7A05470	ThinkSystem Keyboard w/ Int. Pointing Device USB - US Eng 103P RoHS v2
7ZB7A05230	ThinkSystem Keyboard w/ Int. Pointing Device USB - US Euro 103P RoHS v2
ThinkSystem Digital and Analog KVM Console switches and cables	
1754D1T	ThinkSystem Digital 2x1x16 KVM Switch (DVI video output port)
1754A1T	ThinkSystem Analog 1x8 KVM Switch (DVI video output port)
4X97A11108	ThinkSystem VGA to DVI Conversion Cable
4X97A11109	ThinkSystem Single-USB Conversion Cable for Digital KVM
4X97A11107	ThinkSystem Dual-USB Conversion Cable for Digital KVM

Part number	Description
4X97A11106	ThinkSystem USB Conversion Cable for Analog KVM
GCM and LCM Console switches and cables	
1754D2X	Global 4x2x32 Console Manager (GCM32)
1754D1X	Global 2x2x16 Console Manager (GCM16)
1754A2X	Local 2x16 Console Manager (LCM16)
1754A1X	Local 1x8 Console Manager (LCM8)
43V6147	Single Cable USB Conversion Option (UCO)
39M2895	USB Conversion Option (4 Pack UCO)
46M5383	Virtual Media Conversion Option Gen2 (VCO2)
46M5382	Serial Conversion Option (SCO)

For more information, see the list of Product Guides in the KVM Switches and Consoles category:
<http://lenovopress.com/servers/options/kvm>

Lenovo Financial Services

Lenovo Financial Services reinforces Lenovo's commitment to deliver pioneering products and services that are recognized for their quality, excellence, and trustworthiness. Lenovo Financial Services offers financing solutions and services that complement your technology solution anywhere in the world.

We are dedicated to delivering a positive finance experience for customers like you who want to maximize your purchase power by obtaining the technology you need today, protect against technology obsolescence, and preserve your capital for other uses.

We work with businesses, non-profit organizations, governments and educational institutions to finance their entire technology solution. We focus on making it easy to do business with us. Our highly experienced team of finance professionals operates in a work culture that emphasizes the importance of providing outstanding customer service. Our systems, processes and flexible policies support our goal of providing customers with a positive experience.

We finance your entire solution. Unlike others, we allow you to bundle everything you need from hardware and software to service contracts, installation costs, training fees, and sales tax. If you decide weeks or months later to add to your solution, we can consolidate everything into a single invoice.

Our Premier Client services provide large accounts with special handling services to ensure these complex transactions are serviced properly. As a premier client, you have a dedicated finance specialist who manages your account through its life, from first invoice through asset return or purchase. This specialist develops an in-depth understanding of your invoice and payment requirements. For you, this dedication provides a high-quality, easy, and positive financing experience.

For your region specific offers please ask your Lenovo sales representative or your technology provider about the use of Lenovo Financial Services. For more information, see the following Lenovo website:

<https://www.lenovo.com/us/en/landingpage/lenovo-financial-services/>

Related publications and links

For more information, see these resources:

- Lenovo ThinkSystem SR655 product page:
<https://www.lenovo.com/us/en/data-center/servers/racks/ThinkSystem-SR655-Server/p/77XX7SRSR75>
- Interactive 3D Tour of the ThinkSystem SR655:
<https://lenovopress.com/lp1183>
- Lenovo Press video walk-through of the ThinkSystem SR655:
<https://lenovopress.com/lp1185>
- ThinkSystem SR655 drivers and support
<http://datacentersupport.lenovo.com/products/servers/thinksystem/sr655/7z01/downloads>
- Lenovo Hardware Installation & Removal Videos on the SR655:
 - YouTube: <https://www.youtube.com/playlist?list=PLYV5R7hVcs-BYjgwMTzXbgbC6fhKRcCdR>
 - Youku: http://list.youku.com/albumlist/show/id_52222445.html
- Lenovo ThinkSystem SR655 product publications:
<http://thinksystem.lenovofiles.com/help/index.jsp>
 - Quick Start
 - Rack Installation Guide
 - Setup Guide
 - Hardware Maintenance Manual
 - Messages and Codes Reference
 - Memory Population Reference
- ServerProven hardware compatibility:
<http://www.lenovo.com/us/en/serverproven>

Related product families

Product families related to this document are the following:

- [1-Socket Rack Servers](#)
- [ThinkSystem SR655 Server](#)

Notices

Lenovo may not offer the products, services, or features discussed in this document in all countries. Consult your local Lenovo representative for information on the products and services currently available in your area. Any reference to a Lenovo product, program, or service is not intended to state or imply that only that Lenovo product, program, or service may be used. Any functionally equivalent product, program, or service that does not infringe any Lenovo intellectual property right may be used instead. However, it is the user's responsibility to evaluate and verify the operation of any other product, program, or service. Lenovo may have patents or pending patent applications covering subject matter described in this document. The furnishing of this document does not give you any license to these patents. You can send license inquiries, in writing, to:

Lenovo (United States), Inc.
1009 Think Place - Building One
Morrisville, NC 27560
U.S.A.
Attention: Lenovo Director of Licensing

LENOVO PROVIDES THIS PUBLICATION "AS IS" WITHOUT WARRANTY OF ANY KIND, EITHER EXPRESS OR IMPLIED, INCLUDING, BUT NOT LIMITED TO, THE IMPLIED WARRANTIES OF NON-INFRINGEMENT, MERCHANTABILITY OR FITNESS FOR A PARTICULAR PURPOSE. Some jurisdictions do not allow disclaimer of express or implied warranties in certain transactions, therefore, this statement may not apply to you.

This information could include technical inaccuracies or typographical errors. Changes are periodically made to the information herein; these changes will be incorporated in new editions of the publication. Lenovo may make improvements and/or changes in the product(s) and/or the program(s) described in this publication at any time without notice.

The products described in this document are not intended for use in implantation or other life support applications where malfunction may result in injury or death to persons. The information contained in this document does not affect or change Lenovo product specifications or warranties. Nothing in this document shall operate as an express or implied license or indemnity under the intellectual property rights of Lenovo or third parties. All information contained in this document was obtained in specific environments and is presented as an illustration. The result obtained in other operating environments may vary. Lenovo may use or distribute any of the information you supply in any way it believes appropriate without incurring any obligation to you.

Any references in this publication to non-Lenovo Web sites are provided for convenience only and do not in any manner serve as an endorsement of those Web sites. The materials at those Web sites are not part of the materials for this Lenovo product, and use of those Web sites is at your own risk. Any performance data contained herein was determined in a controlled environment. Therefore, the result obtained in other operating environments may vary significantly. Some measurements may have been made on development-level systems and there is no guarantee that these measurements will be the same on generally available systems. Furthermore, some measurements may have been estimated through extrapolation. Actual results may vary. Users of this document should verify the applicable data for their specific environment.

© Copyright Lenovo 2020. All rights reserved.

This document, LP1161, was created or updated on April 1, 2020.

Send us your comments in one of the following ways:

- Use the online Contact us review form found at:
<http://lenovopress.com/LP1161>
- Send your comments in an e-mail to:
comments@lenovopress.com

This document is available online at <http://lenovopress.com/LP1161>.

Trademarks

Lenovo and the Lenovo logo are trademarks or registered trademarks of Lenovo in the United States, other countries, or both. A current list of Lenovo trademarks is available on the Web at <https://www.lenovo.com/us/en/legal/copytrade/>.

The following terms are trademarks of Lenovo in the United States, other countries, or both:

AnyBay®
Bootable Media Creator
Lenovo Services
Lenovo®
RackSwitch
ServerProven®
ThinkSystem
TopSeller
TruDDR4
XClarity®

The following terms are trademarks of other companies:

Intel® is a trademark or registered trademark of Intel Corporation or its subsidiaries in the United States and other countries.

Linux® is the trademark of Linus Torvalds in the U.S. and other countries.

ActiveX®, Microsoft®, Windows Server®, and Windows® are trademarks of Microsoft Corporation in the United States, other countries, or both.

Other company, product, or service names may be trademarks or service marks of others.