

English



FUJITSU Software BS2000

VM2000 V11.5

Virtual Machine System (SE Server)

User Guide

Comments... Suggestions... Corrections...

The User Documentation Department would like to know your opinion on this manual. Your feedback helps us to optimize our documentation to suit your individual needs.

Feel free to send us your comments by e-mail to:

manuals@ts.fujitsu.com

Certified documentation according to DIN EN ISO 9001:2008

To ensure a consistently high quality standard and user-friendliness, this documentation was created to meet the regulations of a quality management system which complies with the requirements of the standard DIN EN ISO 9001:2008.

cognitas. Gesellschaft für Technik-Dokumentation mbH

www.cognitas.de

Copyright and Trademarks

Copyright © 2017 Fujitsu Technology Solutions GmbH.

All rights reserved. Delivery subject to availability; right of technical modifications reserved.

All hardware and software names used are trademarks of their respective manufacturers.

EMC[®], Symmetrix[®] and SRDF[™] are trademarks of EMC Corporation, Hopkinton/MA (USA).

The Xen[®] mark is a trademark of Citrix Systems, Inc., which manages the mark on behalf of the Xen open source community. The Xen[®] mark is registered with the U.S. Patent and Trademark Office, and may also be registered in other countries. Use of the Xen[®] mark on this product is not necessarily an indication of a relationship between or endorsement by Citrix Systems, Inc., the Xen community, or the Xen Advisory Board and the developers of this product, nor is it an indication that this product meets all the criteria for a “Faithful Implementation” of the Xen[®] hypervisor set out at <http://www.xen.org>.

Contents

1	Preface	13
1.1	Objectives and target groups of this manual	14
1.2	Summary of contents	15
1.3	Changes since the last edition of the manual	17
1.4	Notational conventions	18
1.5	Possible areas of application for VM2000	19
1.6	VM2000 characteristics	21
1.7	Linux and Windows guest systems (SU x86)	22
2	Structure of VM2000	23
2.1	Architecture of the SE servers	23
2.2	Terms of VM2000	25
2.3	Implementation of VM2000	29
2.3.1	Implementation on SU /390	30
2.3.2	Implementation on SU x86	33
2.4	Resource management under VM2000	38
2.5	Supported hardware and operating systems	39
2.6	Constraints	40
2.6.1	Constraints that apply to the hardware	40
2.6.2	Constraints that apply to VM2000	41
2.7	Comparison of VM2000 on SU /390 and SU x86	43

3	Installing VM2000	45
3.1	Generating and configuring the device peripherals	47
3.1.1	Device peripherals on SU /390	47
3.1.2	BS2000 devices connected to SU x86	49
3.2	Setting up the VM2000 monitor	51
3.3	Installing the VM2000 message files	54
3.4	Installing the VM2000 hypervisor files (SU /390)	55
3.5	Setting the VM2000 parameters in the parameter service	56
3.6	Configuration settings for the monitor VM	58
3.6.1	Configuration via the VM2000 configuration file (SU /390)	58
3.6.2	Configuration using the SE Manager (SU x86)	62
3.7	Preparing to use \$VMCONS	64
3.8	Installing the guest systems	65
4	Initializing and terminating VM2000	67
4.1	Initializing VM2000 operation	67
4.1.1	Operating modes	68
4.1.2	Starting the monitor system	69
4.2	Starting up the monitor system	70
4.2.1	Required components	70
4.2.2	Startup procedure in the monitor system	71
4.2.3	Example of startup in the monitor system	74
4.3	Terminating the monitor system and VM2000	81
4.3.1	Coordinated shutdown of VM2000	83
4.3.2	Shutdown in the monitor system	86
4.4	Loading, operating and terminating guest systems	87

5	Operating VM2000 and the virtual machines (VMs)	89
5.1	VM2000 Operating strategy	90
5.1.1	Operating levels of VM2000	90
5.1.2	Operating the virtual machines (ADMIN dialog from user task)	93
5.1.2.1	Privileges of the user task in the monitor system	93
5.1.2.2	Administration dialogs from privileged user tasks	94
5.1.2.3	Example of an ADMIN dialog from a user task	97
5.1.3	Operating the guest systems using BS2000 consoles	102
5.1.3.1	Operating the guest systems using KVP consoles	104
5.1.3.2	Operating the guest systems using logical consoles	106
5.1.4	VM2000 administration application \$VMCONS	107
5.1.4.1	Establishing a connection to \$VMCONS	109
5.1.4.2	Operating the virtual machines (ADMIN dialog via \$VMCONS)	112
5.1.4.3	Operating the guest systems(VC dialog via \$VMCONS)	114
5.1.4.4	Example of ADMIN and VC dialog via \$VMCONS	121
5.1.5	Automating VM2000 and VM administration	127
5.2	Operating a VM	133
5.2.1	Initializing a VM	135
5.2.2	Monitoring a VM with job variables (MONJV)	145
5.2.3	Managing devices and assignment sets	152
5.2.4	VM and VM group	152
5.2.5	Assigning a VM or a VM group to a CPU pool	153
5.2.6	Starting VM administration	153
5.2.7	Starting the guest system on a VM	154
5.2.8	Information services	157
5.2.9	Resource management	160
5.2.10	Suspending a VM/resuming operation	162
5.2.11	Moving a VM within main memory	165
5.2.12	Sends a message to VM administrators	165
5.2.13	Modifying the VMCONS parameters	166
5.2.14	Terminating VM administration	166
5.2.15	Aborting the guest system on a VM	167
5.2.16	Shutdown in the guest system and of VM2000	168
5.2.17	Terminating a VM	172

5.3	VM Migration	174
5.3.1	Prerequisites for the VM Migration	176
5.3.2	Phases of a VM Migration	179
5.3.3	CPU management during a VM Migration	180
5.3.4	Device configuration for the VM Migration (SU /390)	181
5.3.5	Device management during a VM Migration	182
5.3.6	Relocation of the VM definition during VM Migration	183
5.3.7	Commands not allowed during a VM Migration	184
5.3.8	Monitoring a VM Migration with job variables (MONJV)	185
5.3.9	Example for a VM Migration (SU /390)	188
5.4	Working with VM definitions	200
5.4.1	VM definition and previous VM2000 commands	202
5.4.2	Commands for managing VM definitions	203
5.4.3	Examples of working with VM definitions	207
5.5	Operating VM groups (SU /390)	217
5.5.1	Creating a VM group	219
5.5.2	Adding a VM to a VM group	220
5.5.3	Modifying the attributes of a VM in a VM group	221
5.5.4	Removing a VM from a VM group	221
5.5.5	Modifying the attributes of a VM group	221
5.5.6	Outputting information on a VM group	222
5.5.7	Deleting a VM group	222
5.5.8	Example of operating VM groups	223
5.6	Operating the whole VM2000 system	227
5.6.1	Types of command	228
5.6.2	Overview of commands for VM2000 operation	229
5.6.3	Privileged functions	232
5.6.4	Restrictions in VM2000 commands/functions	233
5.6.5	Extending and restricting the range of commands/functions	234
5.6.6	VM2000 functions in the SE Manager	236

5.7	VM2000 in the guest systems	238
	ATTACH-DEVICE	
	Attach hardware units	241
	DETACH-DEVICE	
	Detach hardware units	242
	INCLUDE-DEVICE-CONNECTION	
	Add logical connections	243
	REMOVE-DEVICE-CONNECTION	
	Remove logical connections	244
	MODIFY-IO-UNIT	
	Modify the configuration properties of the input/output unit	245
	SHOW-SYSTEM-INFORMATION	
	Display information on the current system	246
	SHOW-DEVICE-CONFIGURATION	
	Display system configuration and availability	251
6	VM2000 management	255
6.1	CPU management	256
6.1.1	Managing and reconfiguring real and virtual CPUs	256
6.1.1.1	Real CPUs	257
6.1.1.2	Virtual CPUs	259
6.1.1.3	Reconfiguration of real and virtual CPUs	262
6.1.1.4	High availability with hot spare CPUs (SU /390)	264
6.1.1.5	Increasing capacity with extra CPUs	266
6.1.2	Managing CPU pools	269
6.1.2.1	Static CPU pools	269
6.1.2.2	Dynamic CPU pools	269
6.1.2.3	Number of attached real and virtual CPUs in the CPU pool	272
6.1.2.4	Creating a CPU pool	276
6.1.2.5	Adding CPUs to a CPU pool	276
6.1.2.6	Assigning a VM or VM group to a (different) CPU pool	277
6.1.2.7	Canceling the assignment of a VM or VM group to a CPU pool	277
6.1.2.8	Outputting information on a CPU pool	277
6.1.2.9	Deleting a CPU pool	278
6.1.2.10	Example of managing CPU pools	278
6.1.3	Planning distribution of the CPU capacity to the VMs	283
6.1.4	Scheduling procedure	294
6.1.4.1	Fixed CPU assignment (dedicated CPUs, SU /390)	294
6.1.4.2	CPU assignment in time slicing (SU /390)	296
6.1.5	Example of CPU management	298
6.2	Reconfiguring Channels, controllers and paths (SU /390)	307

6.3	Main memory management and reconfiguration	310
6.3.1	Managing main memory	310
6.3.1.1	Managing main memory on SU /390	311
6.3.1.2	Managing main memory on SU x86	314
6.3.2	Reconfiguring main memory	315
6.4	Peripheral device management	323
6.4.1	Assigning and removing devices of a VM	324
6.4.1.1	Explicit device assignment and removal	325
6.4.1.2	Assignment sets, implicit device assignment and release	326
6.4.1.3	Interplay between implicit and explicit device assignment	329
6.4.1.4	Usage mode of a device	330
6.4.1.5	Example of peripheral device management	332
6.4.2	Assigning and removing pubsets of a VM	343
6.4.2.1	Explicit pubset assignment and removal	345
6.4.2.2	Implicit pubset assignment and release	346
6.4.2.3	Interplay between implicit and explicit pubset assignment	349
6.4.2.4	Usage mode of pubsets	349
6.4.2.5	Notes on pubset specification in the VM2000 commands	351
6.4.2.6	Pubset reconfiguration	353
6.4.2.7	Mirror pubsets	356
6.4.2.8	Example of pubset management	359
6.4.3	Special devices	371
6.4.4	Shared disk devices	374
6.4.5	Parallel access volume (PAV, SU /390)	380
6.4.6	Using the Highspeed Net Connect HNC (SU /390)	387
6.4.7	Notes on configuration for VM2000 operation	391
6.4.8	Use of IORM in VM2000 operation	392
6.4.9	Dynamic I/O configuration modification	394
6.4.9.1	Changing the configuration of channel devices using BS2000 (SU /390)	394
6.4.9.2	Changing the configuration of devices via X2000 (SU x86)	395
6.4.9.3	Changing the configuration of devices in the disk storage system	395
6.4.10	Checking and updating of the VM2000 disk configuration (SU /390)	396
6.5	Backing up and restoring the VM2000 configuration	397
6.5.1	Backing up a VM2000 configuration	397
6.5.2	Modifying the backup of a VM2000 configuration	398
6.5.3	Restoring a VM2000 configuration	398
6.5.4	Backup file for a VM2000 configuration	401
6.5.4.1	Storage location	401
6.5.4.2	Structure of the contents	401
6.5.4.3	VM2000 components not backed up	405
6.5.4.4	Example of a backup file (SU /390)	406

6.6	Password protection	410
6.7	Accounting in VM2000	411
6.7.1	Accounting record for devices	414
6.7.2	Accounting record for a VM	416
6.8	Hardware error logging under VM2000	417
6.9	Monitoring under VM2000	420
6.9.1	Measurement with /SHOW-VM-STATUS	420
6.9.2	Measurement with the openSM2 measurement monitor	421
7	VM2000 commands	423
<hr/>		
7.1	Overview of commands for VM2000 operation	424
7.1.1	Table of VM2000 commands	425
7.1.2	Grouping of VM2000 commands according to function	427
7.2	Command return codes	431
7.3	Guaranteed messages	432
7.4	SHOW output in S variables	433
7.5	Description of the commands	434
	ACTIVATE-VM-DEFINITION	
	Activate a VM definition	437
	ADD-VM-DEVICES	
	Allocate devices to a VM	439
	ADD-VM-TO-VM-GROUP	
	Add a VM to a VM group (SU /390)	444
	ASSIGN-VM-GROUP-TO-CPU-POOL	
	Assign a VM group to a CPU pool (SU /390)	446
	ASSIGN-VM-TO-CPU-POOL	
	Assign a VM to a CPU pool	448
	ATTACH-VM-RESOURCES	
	Attach real CPUs	451
	BEGIN-VM-DIALOG	
	Start administration or operation	455
	CALL-VM-PROCEDURE	
	Start a VM2000 procedure file	458
	CHECK-VM-DISK-CONFIGURATION	
	Check VM2000 disk configuration (SU /390)	461
	CHECK-VM-MIGRATION	
	Checking prerequisites for VM Migration	463

CREATE-VM	
Initialize a VM	465
CREATE-VM-ASSIGNMENT-SET	
Create assignment set	476
CREATE-VM-CPU-POOL	
Create CPU pool	477
CREATE-VM-DEFINITION	
Create VM definition	478
CREATE-VM-GROUP	
Create VM group (SU /390)	489
DELETE-VM	
Terminate a VM	491
DELETE-VM-ASSIGNMENT-SET	
Delete assignment set	493
DELETE-VM-CPU-POOL	
Delete CPU pool	494
DELETE-VM-DEFINITION	
Delete VM definition	495
DELETE-VM-GROUP	
Delete VM group (SU /390)	496
DETACH-VM-RESOURCES	
Detach real CPUs	497
END-VM-DIALOG	
Terminate administration or operation	501
EXTEND-VM-MEMORY	
Increase main memory for a VM	503
HOLD-VM	
Suspend VM	507
MIGRATE-VM	
Migrate VM	509
MIGRATE-VM-DEFINITION	
Migrate VM definition	511
MODIFY-VM-ATTRIBUTES	
Modify attributes of a VM	512
MODIFY-VM-DEFINITION	
Modify VM definition	521
MODIFY-VM-DEVICE-ATTRIBUTES	
Modify device attributes	538
MODIFY-VM-DEVICE-USAGE	
Modify usage mode of the devices of a VM	542
MODIFY-VM-GROUP-ATTRIBUTES	
Modify attributes of a VM group (SU /390)	546
MODIFY-VMCONS-PARAMETERS	
Modify parameters of \$VMCONS	547

MOVE-VM	
Move a VM within main memory (SU /390)	549
RECOVER-VM-DEFINITION	
Recover a VM definition	553
REDUCE-VM-MEMORY	
Reduce main memory for a VM	555
REMOVE-VM-DEVICES	
Deallocate devices from VM	559
REMOVE-VM-FROM-VM-GROUP	
Remove VM from VM group (SU /390)	564
RESET-VM	
Abort the guest system on a VM	566
RESTORE-VM-CONFIGURATION	
Restoring the VM2000 configuration	568
RESUME-VM	
Resume VM operation	570
SAVE-VM-CONFIGURATION	
Save the VM2000 configuration	572
SEND-VM-MESSAGE	
Pass messages to VM administrators	573
SHOW-VM-ASSIGNMENT-SET	
Output assignment sets	575
SHOW-VM-ATTRIBUTES	
Output attributes of a VM	578
SHOW-VM-CPU-POOL	
Output attributes of a CPU pool	594
SHOW-VM-DEFINITION	
Output attributes of a VM definition	601
SHOW-VM-DEVICE-STATUS	
Output detailed device information	614
SHOW-VM-GROUP	
Output attributes of VM group (SU /390)	629
SHOW-VM-RESOURCES	
Output status of VM2000 resources	635
SHOW-VM-STATUS	
Output VM2000 monitored data	659
SHUTDOWN-VM	
Execute a shutdown in the guest system and for VM2000	676
START-VM	
Start a guest system on a VM	680
SWITCH-VM-CPU	
Delete CPUs from a CPU pool and add them to another CPU pool	685
SWITCH-VM-DEVICES	
Deallocate devices from one VM, allocate them to another	689

8	Error handling in VM2000	695
8.1	Types of error in VM2000	695
8.1.1	Errors in the carrier system (SU x86)	696
8.1.2	VM2000 errors	697
8.1.3	Guest system errors	700
8.2	Restart routines in VM2000	703
8.2.1	Automatic restart following VM2000 hypervisor termination (SU /390)	703
8.2.2	Automatic restart following termination of the VM2000 Agent	704
8.2.3	Automatic restart after SETS in the monitor system	704
8.2.4	Restarting the monitor system via SVP (SU /390)	706
8.2.5	Restarting a task after an error in a system task of VM2000	707
8.3	VMDUMP utility routine	708
8.4	Other diagnostic aids	711
8.5	Diagnostic file SLEDFILE	712
8.5.1	Creating SLEDFILES during VM2000 operation	712
8.5.2	Analyzing SLEDFILES with DAMP	714
	Glossary	717
	Related publications	723
	Index	725

1 Preface

Setting up a virtual infrastructure under BS2000 by using the **VM2000 virtual machine system** can lower IT costs by improving efficiency, flexibility and responsiveness. It enables you to quickly reallocate IT resources following daily changing demands, provide new services and drastically improve the capacity utilization of the Server Units.

VM2000 permits the simultaneous operation of different, completely self-contained system environments on a single Server Unit with almost the same performance as in native mode (operation without VM2000). VM2000 enhances system versatility and improves the capacity utilization of the Server Unit. If necessary, virtual machines running under VM2000 can be migrated to other Server Units by means of a VM Migration (Live Migration).

The systems on which IT processes are executed must adhere to the highest standards of security, reliability, scalability and performance. VM2000 has the system attributes needed for this in abundance and offers functions that provide the user with a variety of system deployment scenarios for improving availability. This applies both to individual Server Units and to SU clusters.

VM2000 V11.5 operates the current FUJITSU Server BS2000 SE Series (Server Units /390 and x86) in all capacity levels.

1.1 Objectives and target groups of this manual

This manual is aimed at all those who use the VM2000 virtual machine system on their SE server or have to make preparations for its use.

It is aimed specifically at:

- the VM2000 administrator, who operates the whole VM2000 system
- the VM administrator, who operates a virtual machine
- systems support and operating

Familiarity with the operation and management of the BS2000 operating system and knowledge of the operation of the SE server are essential for an understanding of this manual.

The central manual for operating SE servers is the manual “Operation and Administration” [19]. In addition to the concepts and functions for SE servers, this manual also describes in detail how to work with the SE manager, the user interface of the SE servers.

1.2 Summary of contents

VM2000 V11.5 (SE servers with Server Units /390 and x86) is the evolutionary development of the software product VM2000 V11.0 (SE servers).

When different approaches to a topic exist for the different architectures of the Server Units, each approach is described in a separate section.

The function and command descriptions contain information which only applies for particular Server Units. This information is labeled, see [section “Notational conventions” on page 18](#).



A comparative overview of the differences between the various Server Units is provided in the [section “Comparison of VM2000 on SU /390 and SU x86” on page 43](#).

Main chapters of the manual and their target group

The [chapter “Structure of VM2000”](#) explains the key terms used in the manual and provides a basic overview of VM2000. It is aimed at all users of VM2000.

The [chapter “Installing VM2000”](#) describes the components of VM2000 and the preparations that have to be carried out in order to use VM2000. It is aimed at system administrators.

The [chapter “Initializing and terminating VM2000”](#) describes how to initialize and terminate VM2000 and guest systems under VM2000. It is aimed at VM2000 administrators and system administrators.

The [chapter “Operating VM2000 and the virtual machines \(VMs\)”](#) describes the operating strategy for VM2000 and the functions of the VM2000 commands. It is aimed at VM2000 administrators and VM administrators.

The [chapter “VM2000 management”](#) describes the administration tasks involved with VM2000, such as resource management, accounting and password protection. It is aimed at VM2000 administrators and system administrators.

The [chapter “VM2000 commands”](#) contains the syntax and semantics of all of the VM2000 commands. It is aimed at VM2000 administrators and VM administrators.

The [chapter “Error handling in VM2000”](#) describes error classes that can occur in operation with VM2000 and the diagnostic tools that are available. It is aimed at VM2000 administrators and system administrators.

Readme file

The functional changes to the current product version and revisions to this manual are described in the product-specific Readme file.

Readme files are available to you online in addition to the product manuals under the various products at <http://manuals.ts.fujitsu.com>. Alternatively you can also find the Readme files on the softbook DVD.

Information under BS2000

When a Readme file exists for a product version, you will find the following file in the BS2000 system:

```
SYSRME.<product>.<version>.<lang>
```

This file contains brief information on the Readme file in German or English (<lang>=D/E). You can view the information on the screen using the `SHOW-FILE` command or with an editor. The `/SHOW-INSTALLATION-PATH INSTALLATION-UNIT=<product>` command shows the user account under which the product's files are stored.

Additional product information

Current information, version and hardware dependencies, and instructions for installing and using a product version are contained in the associated Release Notice. These Release Notices are available online at <http://manuals.ts.fujitsu.com>.

1.3 Changes since the last edition of the manual

The manual for VM2000 V11.5 describes the use of VM2000 on SE servers.

The changes for this version focus primarily on explaining the migration of a VM from an SU /390 or SU x86 to another Server Unit of the same type, using the `CHECK-VM-MIGRATION` and `MIGRATE-VM` commands. This new function is described in section “5.3 VM-Migration”.

In addition, the VM definition of a VM that has not been created yet can be migrated (`/MIGRATE-VM-DEFINITION`) or restored in the SU cluster (`/RECOVER-VM-DEFINITION`) as well, see section “5.4 Working with VM definitions”.

Also, compared to the last edition of the manual, VM2000 V11.0, the following important changes have been made:

- On SU /390, the main memory must be at least 512 Mbytes in size for the monitor VM.
- When VM2000 calculates the main memory size for the VM2000 hypervisor (SU /390), it adds 1 Mbyte per 2 Gbytes main memory size for VM Migration.
- The “Space Provisioning (SPACEPRO) under VM2000” section has been deleted.
- New VM2000 parameter `LM-TASK-PRIORITY`.
- New VM2000 command `CHECK-VM-DISK-CONFIGURATION`.
- New statuses of a VM in the `SHOW-VM-ATTRIBUTES` and `SHOW-VM-RESOURCES` commands.
- Changed format of the CPU TIMER INFORMATION FOR VM(S) block output in the `SHOW-VM-STATUS VM2000` command.

1.4 Notational conventions

The following abbreviations are used in this manual:

- **BS2000 servers** as the generic term for SE servers (SU /390 and x86), S and SQ servers. BS2000 servers are operated with the corresponding BS2000 operating system.
- **SE server** for the FUJITSU Server BS2000 SE Series (Server Units /390 and x86)
- **SU /390** for the Server Unit /390 (/390 architecture)
- **SU x86** for the Server Unit x86 (x86-64 architecture)
- **VM2000** as a synonym for the current version of VM2000

The strings `<date>`, `<time>` and `<ver>` in the examples stand for the current outputs for date, time and version when the examples are otherwise independent of date, time and version.

The following notational conventions are used in this manual:



This symbol indicates an important passage

- ▶ The input symbol identifies activities to be executed (e.g. entries via the keyboard).

You will find a description of the SDF syntax in the “Commands” manual [13].

Where references are made to other publications, the titles are abbreviated. The complete title of each publication referred to by a number in square brackets is given under “Related publications”.

In the examples, `bold` type indicates a user entry and this `typewriter font` is used for system outputs.

The command descriptions contain a great deal of information which only applies for particular Server Units. This information is labeled as follows:



This comment applies only for SU /390



This comment applies only for SU x86

1.5 Possible areas of application for VM2000

Separate systems for production and backup

Data centers that offer computing power for production or backup without VM2000 have to have several different servers for different system environments.

With VM2000 it is possible to offer the same service on a single SE (Server Units /390 and x86) high-performance server. This makes more sophisticated capacity planning possible and allows savings to be made in terms of floor space and personnel.

The same benefits can also be gained by customers who themselves require different production environments. Sensitive applications can be isolated in a secure environment with VM2000.

Parallel operation of production, development and testing

A separate system environment is sometimes necessary for the development and testing of user systems for the following reasons:

- System functions not used to date are addressed
(the application may have been programmed incorrectly or run inefficiently)
- System modifications are being tested
(applications which have not been fully tested can disturb productive operation, e.g. through high resource utilization)
- Errors are caused intentionally or unintentionally in test cases

VM2000 permits what are known as “virtual block times”, i.e. selected systems can be run on a Server Unit but do not affect the other systems running at the same time, even in the event of system errors. In conjunction with resource allocation to the individual systems, it is also possible to run multiple test environments in parallel with production.

Version changes

In order to prepare themselves for changes to the versions of the operating system or system-related software, personnel must get to know how to install and use the new versions. It must be ensured that production runs smoothly in the new environment.

VM2000 supports you in:

- reducing night-time testing and weekend working when it comes to operating the new version and testing for production
- converting production to the new system environment step by step, in as far as this is possible with separate, independent bodies of data

VM2000 in the data center

In addition to the savings potential in terms of operating staff and computer space requirements, VM2000 also offers a high degree of cost-effectiveness and optimum use of resources through the virtualization of the CPU and main memory.

VM2000 supports accounting for the computer performance and resources provided for a customer:

- **Accounting according to usage**
The VM-specific accounting records provided by VM2000 show how many resources were used for how long.
- **Definition of Service Level Agreements**
The customer is guaranteed a certain CPU capacity with a price based on RPF. The CPU capacity of the VM is restricted to the required value using the “maximum CPU utilization” attribute (`MAX-CPU-UTILIZATION` operand).
- **Creating CPU pools and dedicated CPUs**
CPUs can be grouped in CPU pools. Only the VMs which are assigned to a CPU pool utilize the CPUs of this pool. The CPUs and VMs of the pool form a subsystem of the Server Unit, and this is made available to a customer.

If the CPU pool contains enough real CPUs, the scheduling procedure “fixed CPU assignment (dedicated CPUs)” reaches the highest level of performance (SU /390).
- **Creating VM groups (SU /390)**
For customers with multiple VMs it is possible to create a VM group and define an arrangement based on Service Level Agreements. In the first step the CPU capacity and CPU utilization for the VM group are defined. In the second step the performance distribution within the VM group is defined. When distributing the CPU capacity which a VM in a VM group does not use, the scheduling procedure gives preference to the other VMs in the VM group.
- **Granularity setting of CPU-QUOTA and MAX-CPU-UTILIZATION**
The two attributes for controlling the VM's performance can be specified with two decimal places. This means that very high Server Unit definitions are possible in the one-digit RPF area up to one percent of the CPU capacity.

VM Migration (Live Migration) under VM2000

To increase the availability and improve the load balancing between the Server Units, it is possible, on a Server Unit /390 or x86, to migrate a virtual machine during ongoing guest system operation under VM2000 from the local Server Unit to another Server Unit of the same type, while containing the VM's resources.

1.6 VM2000 characteristics

VM2000 is characterized by the following features:

- **Concurrent** execution of up to 32 BS2000 guest systems on a **single** Server Unit.
Guest systems can be the operating systems released for this (see [page 39](#)).
The guest systems are completely independent of one another.
 - it is not possible to access memory areas of other guest systems.
 - errors within one guest system - even if they result in a system crash - are of no relevance for the other guest systems.
- Scope of functions identical to that of BS2000 native operation.
 - The functionality of guest systems running under VM2000 corresponds to BS2000 native operation as far as the command set, the data communication capability in networks, and the debugging and diagnostic aids are concerned.
 - For accounting purposes, the job accounting data of every guest system can be centrally collated.
- Performance almost the same as BS2000 operation without VM2000.

The performance of the guest systems under VM2000 is similar to that of native operation. The excellent performance values are a result of the following measures:

- The guest systems execute directly on the host, i.e. only one minor emulation is required.
- Memory areas are permanently assigned to a given guest system (thus eliminating the need for additional address translation).
- The devices are assigned to the guest system, i.e. no additional loss in performance results from device management under VM2000.

Further information on the use of VM2000 in terms of performance is provided in the “Performance Handbook” [[18](#)].

1.7 Linux and Windows guest systems (SU x86)

On SU x86 not only VMs with a BS2000 guest system can be configured, but also VMs with a Linux or Windows guest system, the so-called XenVMs.

XenVMs are managed exclusively via the SE manager, see the manual “Operation and Administration” [19].

They are not known in VM2000. Only when global resources are displayed are they included under the keyword `FOREIGN`.

2 Structure of VM2000

2.1 Architecture of the SE servers

A FUJITSU Server BS2000 SE series (for short: SE server) consists of the following components in its maximum configuration:

- Server Units (SU /390 and SU x86)
- Application Units (AU)
- Peripherals (storage)
- Management Unit (MU) with SE Manager
- Net Unit, for SU /390 with HNC

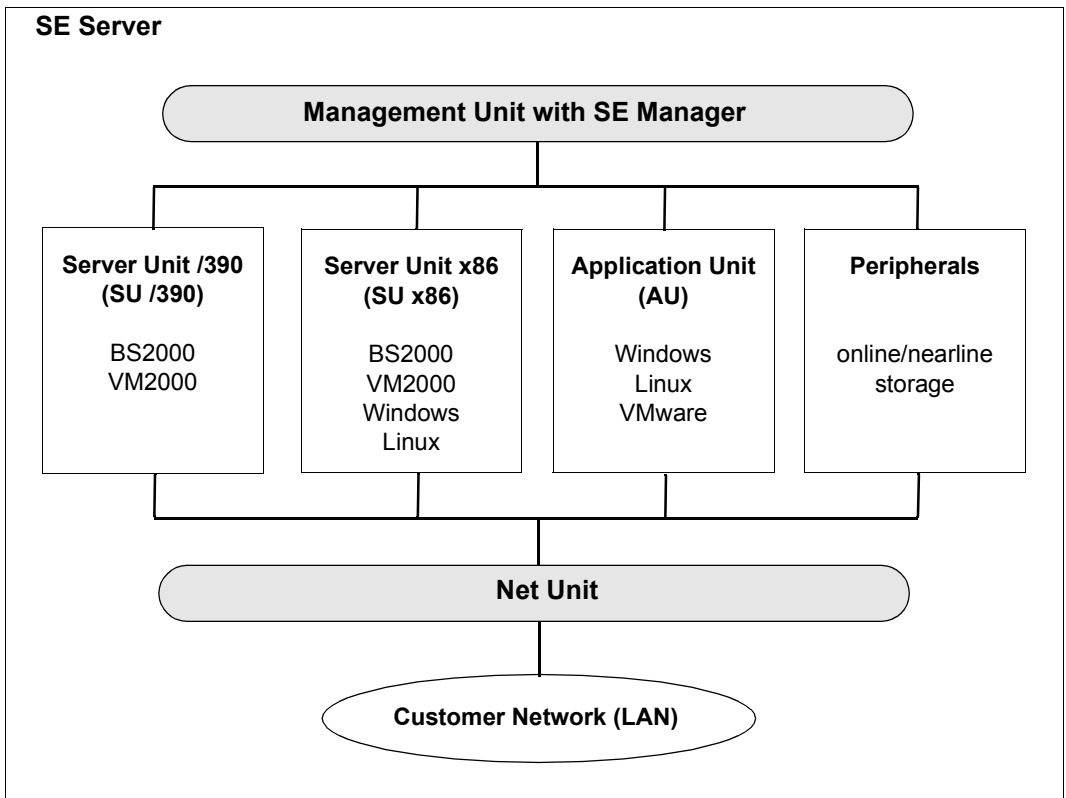


Figure 1: Architecture of the SE servers

With the SE Manager you can operate and manage all components of the SE server centrally from the Management Unit. The SE Manager offers a user-friendly, web-based user interface for this purpose.

In addition to the maximum configuration, variants are also offered which do not contain all Units.

Operation of the SE Manager is described in the online help for the SE Manager and in the “Operation and Administration” manual [19].

The Net Unit, for SU /390 with High-Speed Network Connect (HNC), offers highest performance and security for internal communication in an SE server and for the connection to customer networks (LAN).

The BS2000 operating system in the released versions serves the Server Unit /390 (/390 server) and the Server Unit x86 (x86 server).



Further configuration levels of the Server Units may be released at some point in the future. Watch out for product announcements and release information.

2.2 Terms of VM2000

VM2000, virtual machine, guest system

The VM2000 virtual machine system is a software product which implements **more than one virtual machine (VM)** on **one** real SE server (more precisely: on a Server Unit of the SE server).

From the user's point of view, a virtual machine is a Server Unit on which his/her operating system, the **guest system**, runs.

Monitor VM, monitor system

A special BS2000 guest system, the **monitor system**, in which the **VM2000 monitor**, the administration application **\$VMCONS** and the other VM2000 components are embedded, is provided to execute and manage VM2000. The monitor system runs on a special VM, namely the **monitor VM**.

The monitor VM not only serves to control the operation of virtual machines but, like any other VM, can also be used for the standard applications described on [page 19](#).

VM2000 monitor

The VM2000 monitor is the central part of VM2000 for operating the virtual machines using VM2000 commands. It implements communication both between the user and VM2000, and between VM2000 and the hardware-related components, in particular the hypervisor (see the next page).

The VM2000 monitor is implemented in the monitor system as the VM2-MON subsystem.

VM2000 administration application \$VMCONS

Operation of the VMs is normally conducted from a privileged user task in the monitor system. BS2000 consoles for the guest system are as a rule available to operate the guest systems. See [section “VM2000 Operating strategy” on page 90](#).

The administration application \$VMCONS (optional, see [page 107](#)) can be used as an alternative to these recommended administration and operating media.

VM2000 dump

A special VM2000 dump for diagnostics can be created using the VMDUMP utility routine.

In the event of an error, the VM2000 dump is created automatically by VM2000 using the VMDUMP utility routine.

The VM2000 dump is not required for regular operation of VM2000.

VM2000 in the BS2000 guest systems

Each BS2000 guest system has communication interfaces to VM2000 in order to receive information on VM2000 operation and to introduce VM2000-specific actions in the guest system (implicit device assignment, for example, see [page 326](#)).

These interfaces are described in detail in [section “VM2000 in the guest systems” on page 238](#).

Hypervisor

A hypervisor controls the execution of the guest systems on the VMs. In particular it virtualizes the global resources CPU and main memory and starts execution of the operational guest system’s CPUs on the real CPUs (scheduling).

- 390 On SU /390 the VM2000 hypervisor is a separate load module of VM2000 which is loaded (automatically) when VM2000 operation is initialized.
- x86 On SU x86 the Xen hypervisor performs this role. Some of the hypervisor tasks are performed by the carrier system X2000.

Hardware-software interface (HSI)

In technical terms, when operating virtual machines the hardware-software interface (HSI) which the Server Unit offers for an operating system is copied and made available for all VMs and their guest systems (see [figure 2 on page 28](#)). The (copied) HSI for a VM or a guest system is referred to as a **virtual HSI**.

Differences between SU /390 and SU x86 with respect to the HSI

390 SU /390 are systems with a /390 architecture.

The BS2000 operating system uses the HSI of the SU /390 (**the real HSI**) directly here.

x86 SU x86 are systems with an x86-64 architecture.

The BS2000 operating system uses the nonprivileged, real HSI of the SU x86 here and the privileged HSI which is provided by the firmware.

For further information on the technical structure of the SE servers and on the system environment, see the manual “Operation and Administration” [19].

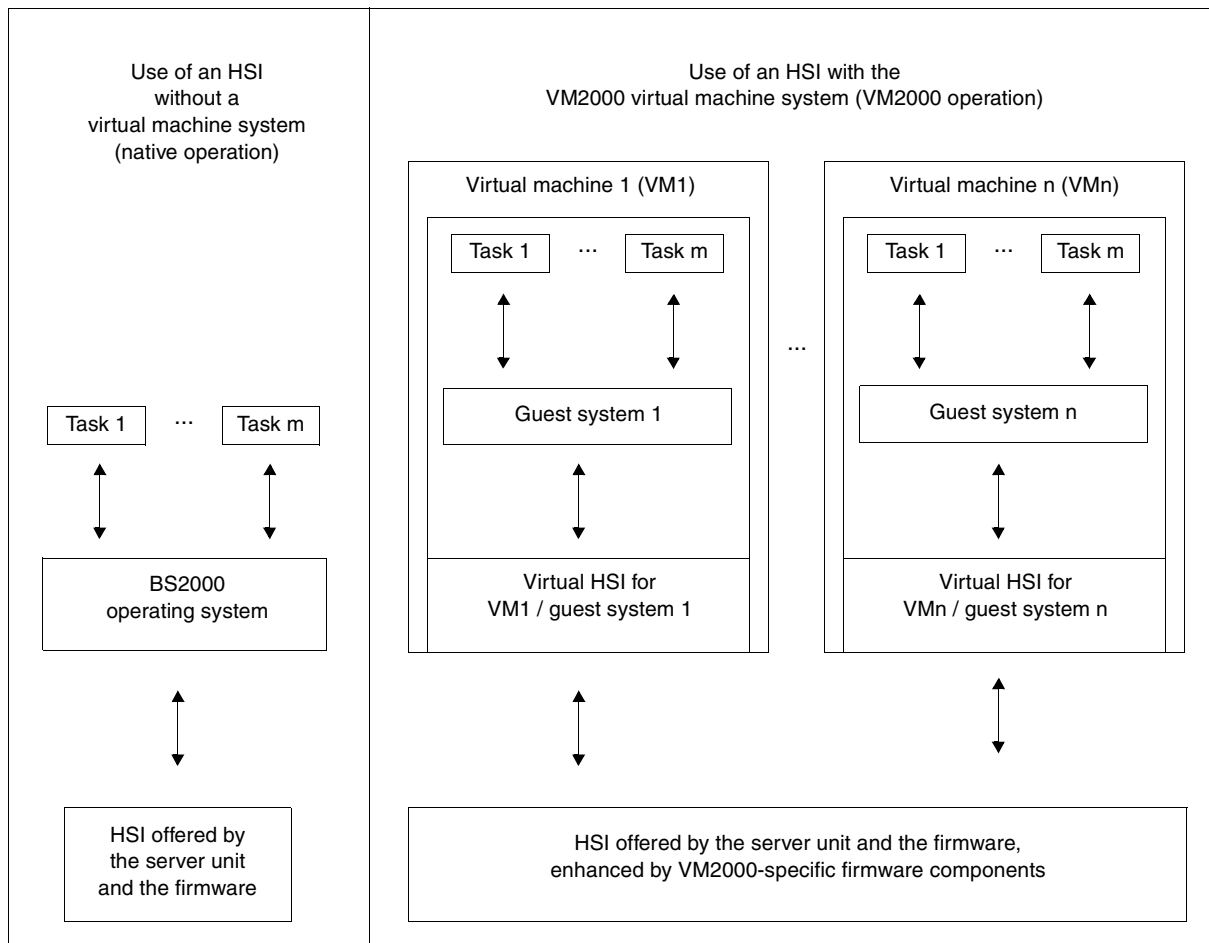


Figure 2: Use of the HSI of a Server Unit without and with VM2000

2.3 Implementation of VM2000

Depending on the architecture of the Server Unit, there are fundamentally different technical solutions for VM2000.

Implementation principle for SU /390

On SU /390, VM2000 controls the hardware of the Server Unit.

The VM2000 monitor manages all the VMs and provides its functions via the VM2000 user interface.

A VM2000 hypervisor controls the execution of all guest systems on the VMs. Sophisticated scheduling mechanisms ensure that the guest systems run as efficiently as possible.

Detailed information can be found in the [section “Implementation on SU /390” on page 30](#).

Implementation principle for SU x86

On SU x86, the X2000 carrier system controls the hardware of the Server Unit.

The VM2000 monitor manages the VMs with the guest system BS2000 (**BS2000 VM**) and provides its functions via the VM2000 user interface.

In addition, the SE manager can be used to configure further VMs in which Linux or Windows systems execute as guest systems (**XenVMs**). These are managed only by the SE manager, not by VM2000.

The Xen hypervisor virtualizes the global resources CPU and main memory, controls the execution of all VMs (scheduling), and performs load balancing for CPU utilization.

The central manual for operating SE servers is the manual “Operation and Administration” [19]. A detailed description of working with the SE manager is also provided there.

Detailed information can be found in the [section “Implementation on SU x86” on page 33](#).

2.3.1 Implementation on SU /390

For VM2000 operation, VM2000 functions have been added to the HSI offered by the firmware of the Server Unit. The extended HSI is referred to as the **VM2000 HSI** (see figure 3).

The VM2000 hypervisor runs on the **VM2000 HSI**. It is the part of VM2000 which controls the execution of guest systems on the virtual machines (the scheduling).

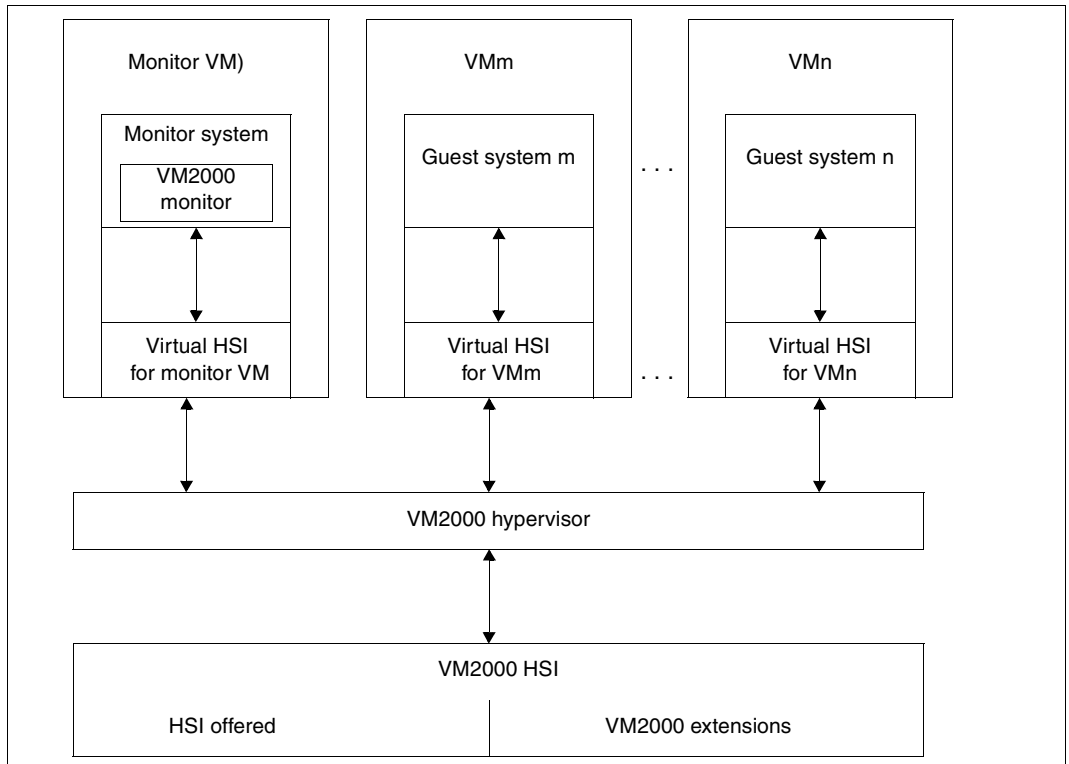


Figure 3: Structure of VM2000 on SU /390

The VM2000 hypervisor performs the following tasks:

- Allocate the CPUs to the individual VMs
- Handle global interrupts
- Control machine error recovery
- Emulate privileged instructions
- Coordinate I/O operations for all shared devices
- Process monitor jobs

In the VM2000 HSI, two processor states are possible (see [figure 4](#)):

- VM mode.
The guest systems run in this mode.
- Hypervisor mode.
The VM2000 hypervisor runs in this mode. Additional privileged commands only permitted in this mode are also available.

Each mode has a **context**, which is loaded into the Server Unit's hardware registers each time the processor state is activated. This context consists of

- The registers for the processor states of the CPU
- VM-specific registers and information.

In the context, a **VM index** which identifies the VM is entered for every VM. The monitor VM contains always the VM index 1.

The transition from VM mode to VM2000 hypervisor mode is initiated by **global** interrupts, e.g. expiration of the time slice for the VM. In the case of global interrupts the context of the VM is stored and the VM2000 hypervisor context is loaded, thereby activating the VM2000 hypervisor.

There are also **local** interrupts, which do **not** activate the VM2000 hypervisor but are processed within the VM.

You can switch from VM2000 hypervisor mode to VM mode by issuing a privileged VM2000 hypervisor switch instruction.

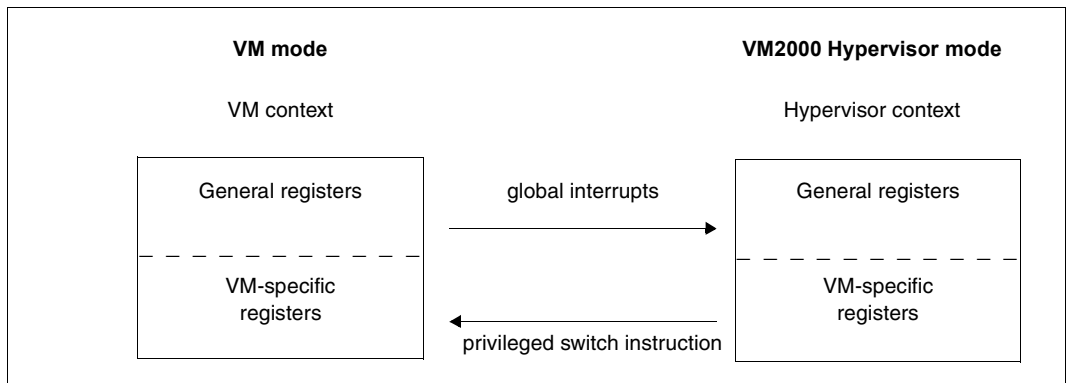


Figure 4: Processor states and context on SU /390

VM2000

BS2000 VMs can be configured and operated only when the software product VM2000 is installed and configured.

Before VM2000 mode is initialized, the operating mode "VM2000 mode" must be set with the SE Manager, see [page 68](#). The monitor system can then be started, see [page 69](#).

The VM2000 functions and commands offered are described in this manual. Fundamental VM2000 functions are also available to the SE server administrators via the SE Manager, see [section "VM2000 functions in the SE Manager" on page 236](#).

The full VM2000 functionality is available to the VM2000 and VM administrators via the user interface of VM2000 (see [page 90](#)).

The BS2000 guest systems can work together with VM2000, see [section "VM2000 in the guest systems" on page 238](#).

2.3.2 Implementation on SU x86

Domains

On the Server Unit one or more operating systems can be started in virtual machines, the so-called **domains**.

The first domain which is started automatically is of particular importance. This domain, which is called **domain 0** (“Dom0”), is privileged and is used for management purposes. The carrier system X2000 executes in domain 0.

The **Xen hypervisor** and the IO drivers in domain 0 operate and virtualize the Server Unit. The Xen hypervisor controls execution of all the domains (scheduling).

Different types of operating systems, e.g. BS2000 or Linux and Windows systems, can run in the nonprivileged domains (“DomU”).

Carrier system X2000

The X2000 carrier system executes under the Linux operating system in domain 0.

X2000 contains functions for supporting BS2000. It provides the operating functionality for devices (the BS2000 device emulation), and executes the physical inputs/outputs.

X2000 also implements the interface for operating the VMs via the SE manager or the Customer Support.

VM2000

BS2000 VMs can be configured and operated only when the software product VM2000 is installed and configured.

Before VM2000 mode is initialized, the operating mode “VM2000 mode” must be set with the SE Manager, see [page 68](#). In addition to domain 0, another special domain with the domain name `MONITOR`, the monitor VM, is then configured. The monitor system, which is a BS2000 guest system in which the VM2000 monitor and the other software components of VM2000 are embedded, executes on the monitor VM. The monitor system can then be started, see [page 69](#).



The terms domain and virtual machine can be regarded as synonyms for VM2000 operation. In this manual a distinction is consequently only made in important places. As a rule the term virtual machine (VM) is used. When no more detailed explanation is provided, a VMs with a BS2000 guest system (BS2000 VM) is meant.

The VM2000 functions and commands which are offered for BS2000 VMs are described in this manual. Fundamental VM2000 functions are also available to the SE server administrators via the SE Manager, see [section “VM2000 functions in the SE Manager” on page 236](#).

BS2000 guest systems can work together with VM2000, see [section “VM2000 in the guest systems” on page 238](#).

The VM2000 monitor operates the BS2000 VMs, but not the XenVMs. XenVMs are only operated via the SE manager, see the manual “Operation and Administration” [19].

For hardware-related implementation of the functions, VM2000 utilizes the carrier system X2000. For communication purposes X2000 realizes another software component, the VM2000 Agent.

VM2000 Agent

The VM2000 Agent executes in domain 0. It is started only in VM2000 operation.

On the one hand the VM2000 Agent converts the requests of the VM2000 monitor and of the guest systems (the hypervisor calls) to corresponding administration or guest system requests. On the other hand the VM2000 Agent also registers events which are important for VM2000 operation and informs the VM2000 monitor and the BS2000 guest systems affected of these.

Firmware component of a VM

To execute, each BS2000 guest system requires a firmware component which converts the /390 code to the relevant x86-64 code of the Server Unit (CISC-FW) and offers the privileged HSI for the BS2000 guest system (HAL).

Each BS2000 VM of the Server Unit has its own such firmware component.

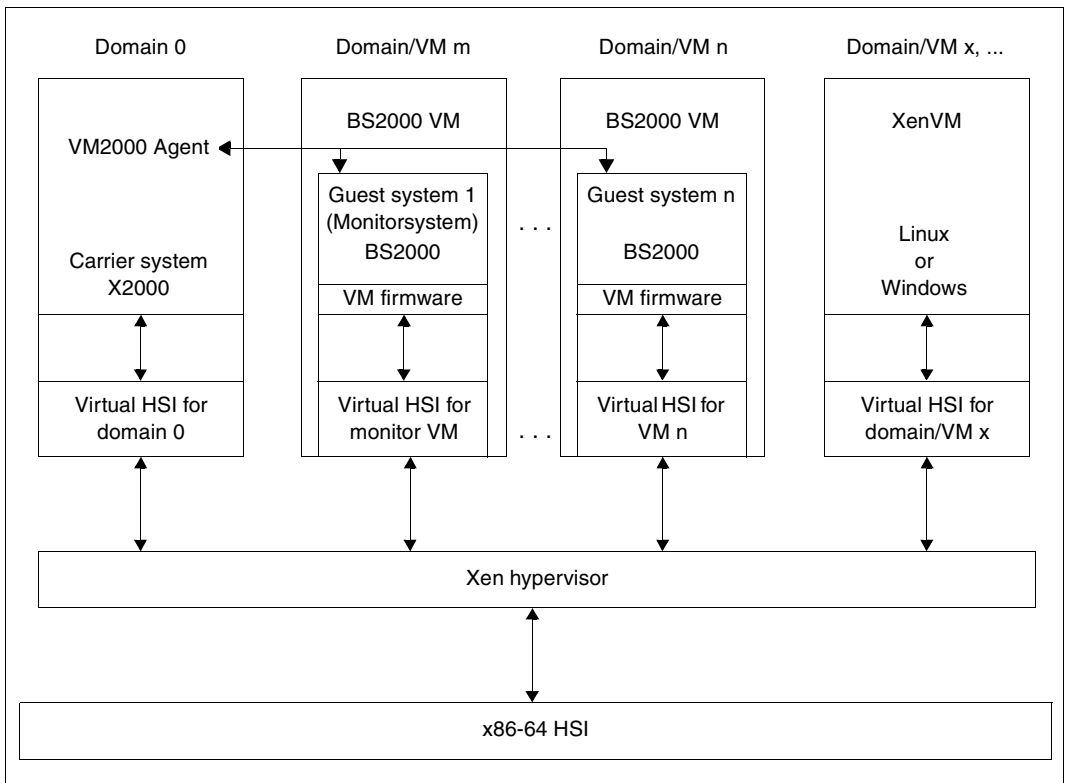


Figure 5: VM2000 on SU x86

Operating levels

Actions for the BS2000 VMs can be initialized from various operating levels:

- The full VM2000 functionality is available to the VM2000 and VM administrators via the user interface of VM2000 (see [page 90](#)). The VM2000 commands operate and manage the BS2000 VMs, but not the XenVMs.
- Fundamental VM2000 functions are also available to the SE server administrators via the SE Manager, see [section “VM2000 functions in the SE Manager” on page 236](#).

Information on global resources in VM2000 commands

The VM2000 commands also supply information relating to resources which the BS2000 VMs share with the XenVMs (main memory, CPU performance):

- `/SHOW-VM-CPU-POOL` supplies information on all CPU pools of the Server Unit. This also includes information on the CPU pools of domain 0 and for the XenVMs
- The output of `/SHOW-VM-RESOURCES INFORMATION=*MEMORY,ATTRIBUTE=*ALL/*ASSIGNED` also supplies the amount of main memory occupied by the XenVMs and the domain 0 (FOREIGN VMS).
- `/SHOW-VM-RESOURCES INFORMATION=*CPU/*CONFIGURATION` supplies information on all CPUs of the Server Unit, their status and the assignment to CPU pools. This also includes information on the CPU pools of domain 0 and for the XenVMs
- `/SHOW-VM-STATUS INFORMATION=*TIMER` also supplies information on the load on domain 0 in `*POOL0`.

Main memory

The Server Unit's main memory contains a fixed portion for domain 0. The remaining main memory can be used for BS2000 VMs or XenVMs.

The planning for the assignment of the real main memory to domain 0, for VM2000 operation and for the XenVMs is the task of the Server Unit administration.

Information on the distribution of the main memory is provided by `/SHOW-VM-RESOURCES INFORMATION=*MEMORY`.

A BS2000 VM obtains the main memory in a granularity of 2 Mbyte or more. The main memory of a VM is not contiguous in the main memory of the Server Unit, but scattered.

A small part of the main memory of a BS2000 VM is required for the firmware component of the VM. The VM's firmware component continues to emulate a contiguous main memory starting with address 0 for a BS2000 guest system.

See also [section "Managing main memory on SU x86" on page 314](#).

CPUs, CPU pools

The real CPUs of the Server Unit are subdivided into static CPU pools during system initialization of the Server Unit. This subdivision is achieved by means of licenses. It can also be viewed using the VM2000 command `/SHOW-VM-RESOURCES INFORMATION=*CPU/*CONFIGURATION`.

In addition, further, unused real CPUs can exist (depending on the hardware and licenses) which are not assigned to a CPU pool. These unused CPUs automatically become cold spare CPUs.

The following static CPU pools are defined for VM2000 operation (the equivalent names in the VM2000 outputs and in the manual “Operation and Administration” [19] are specified in parentheses):

- Pool of domain 0 (`*POOL0`, Pool-0).
It contains the CPUs for domain 0, i.e. for the X2000 carrier system.
- Standard CPU pool (`*STDP00L`, `bs2_pool`).
It contains the CPUs for VM2000 operation, possibly enhanced with extra CPUs.

The number of CPUs in the standard CPU pool is the same as the number of BS2000 CPUs of the Server Unit, including the extra CPUs (license required). VM2000 manages and reconfigures only the CPUs of the standard CPU pool, see [page 257](#).

- Foreign pool (`*FOREIGN`, `lw_pool`).
This contains the CPUs for the XenVMs (license required).

With VM2000 further (dynamic) CPU pools can be created. See [section “Managing CPU pools” on page 269](#).



If more than 64 CPUs are installed, the static CPU pool `*FOREIGN` (or `*POOL0`) is no longer displayed in the VM2000 information commands.

Devices

The real devices in the periphery are not directly visible for the monitor system and the other BS2000 guest systems. BS2000 guest systems know only the **BS2000 devices** emulated in X2000. See [section “BS2000 devices connected to SU x86” on page 49](#).

2.4 Resource management under VM2000

VM2000 manages the following resources:

CPU management

These management tasks comprise the following

- Management and reconfiguration of the real CPUs which are available for VM2000 operation (see [page 257](#)) and of the VMs' virtual CPUs (see [page 259](#))
- Management of the CPU pools, see [page 269](#)
- Planning and controlling the distribution of CPU capacity to the VMs, see [page 283](#)
- Assigning CPUs to a VM (scheduling, SU /390), see [page 294](#)

Reconfiguration of channels, control units and paths

See [page 307](#) (SU /390).

Management and reconfiguration of the storage media

Memory management of VM2000 includes

- [Management of the main memory](#), see [page 310](#).
- [Reconfiguration of the main memory](#), see [page 315](#).

Peripheral device management

The following are given particular consideration in peripheral device management:

- [Assigning and removing devices of a VM](#), see [page 324](#).
- [Assigning and removing subsets of a VM](#) (devices of the subset), see [page 343](#)
- [Special devices](#), see [page 371](#).
- [Shared disk devices](#), see [page 374](#).
- [Parallel access volume \(PAV, SU /390\)](#), see [page 380](#).
- [Using the Highspeed Net Connect HNC \(SU /390\)](#), see [page 387](#).
- [Dynamic I/O configuration modification](#), see [page 394](#).

2.5 Supported hardware and operating systems

VM2000 V11.5 can be used on the Server Units /390 (SU /390) and x86 (SU x86) of the current SE servers.



Further capacity levels of the SE servers will be released separately at different dates. For further information on how to use VM2000 on these models, see the product announcements from FUJITSU.

VM2000 V11.5 operates all peripheral devices which are supported by BS2000 OSD/BC V10.0 and higher.

VM2000 V11.5 is executable in a monitor system with BS2000 OSD/BC V11.0.

Migration from VM2000 V11.0 to VM2000 V11.5 is possible on a BS2000 OSD/BC V11.0 monitor system without changing the monitor system.

The following guest system software can run under VM2000 V11.5:

- BS2000 OSD/BC V10.0 (software package OSD/XC V10.0)
- BS2000 OSD/BC V11.0 (software package OSD/XC V11.0)
- Successor versions to BS2000 OSD/BC V11.0, provided they have been released for use under VM2000 V11.5 (see release notices)
- Self-loading systems (e.g. SLED) of the above versions of the operating system

These guest systems can be operated in the usual way under VM2000. There are various means available for operating the guest systems under VM2000 (see [page 91](#)).

2.6 Constraints

2.6.1 Constraints that apply to the hardware

The Server Units of the SE servers exhibit certain differences from the full functional scope of VM2000 due to the hardware architecture, and these differences must be taken into consideration when using VM2000. These are indicated in the following list, and you are referred to relevant sections of the manual for more information.

The SU /390 exhibits the following differences:

- The minimum main memory size and the granularity of the memory allocation is 1 Mbyte (see [page 310](#)).
- The main memory must be at least 512 Mbytes in size for the monitor VM.

The SU x86 exhibits the following differences:

- Hot spare CPUs are not available.
Cold spare CPUs can be configured, see [page 37](#).
- On SU x86 X2000 emulates devices with a virtual input/output path for the virtual machines. The functions for VM2000-global reconfiguration (in the BS2000 commands `/ATTACH-/DETACH-DEVICE` and `INCLUDE-/REMOVE-DEVICE-CONNECTION`) have no effect.
- Parallel Access Volumes (PAVs, channel device) are not available.
The inputs/outputs are automatically parallelized by X2000.
- The main memory is managed in multiples of 2 Mbytes (see [page 310](#)).
The main memory of a VM is no longer contiguous.
- The main memory should be at least 1024 Mbytes in size for a VM.

2.6.2 Constraints that apply to VM2000

When operating a Server Unit with VM2000, various constraints and limitations have to be taken into account that do not apply in native operation. These are indicated in the following list, and you are referred to relevant sections of the manual for more information.

The following constraints apply to the hardware:

- For interactive operation in the guest system, the hardware connection conditions specified by BCAM must be met for each guest system (BCAM is the central component of the software product openNet Server). These restrictions can vary depending on the version of the guest system.
- The assignment of the peripherals to the VMs should be planned carefully to ensure that performance is not impaired (see [section “Notes on configuration for VM2000 operation” on page 391](#)).

The following constraints apply to the software:

- The parameters for VM2000 are set using the startup parameter service, the parameter file of the VM2-MON subsystem and (on SU /390) the configuration file of the monitor VM (see [page 56](#)).
- A guest system cannot be started by an IPL device that is shared, i.e. in SHARED usage mode (see [page 154](#)).
- CPU times cannot be calculated as the difference between two STCK values under VM2000 (see [page 421](#)).
- The "Channel Subsystem Monitoring Facility" function (SU /390) for recording detailed device-specific operating times using the performance measurement monitor openSM2 (monitoring program SERVICETIME) can only be enabled for **one** guest system. If the monitoring program SERVICETIME is started on another guest system, no measurement data is supplied for this guest system (see [page 421](#)).
- For shareable devices that are assigned to more than one VM (SH(1) usage mode), the Channel Subsystem Monitoring Facility (SU /390) is **not** activated. The openSM2 performance measurement monitor does not receive any measurement data for these devices (see [page 421](#)).
- The BS2000 command /WRITE-IOCF (SU /390) can only be executed in the monitor system.

The following software prerequisites may need to be satisfied:

- A prerequisite for using VM2000 on an SU /390 is the software product REWAS in the monitor system.
- A prerequisite for working with job variables is the software product JV in the monitor system. See [page 145](#) and [page 317](#).
- If the additional mirror units or clone units of a pubset are to be used for the pubset assignment to a VM, the software product SHC-OSD is required in the monitor system, see [page 357](#).
- The software product SECOS is required for assigning privileges to a user task (which is not TSOS) in the monitor system, see [page 93](#).
- The software product OMNIS is recommended when the guest system is operated via \$VMCONS or logical consoles are used, see [page 109](#) and [page 106](#).

2.7 Comparison of VM2000 on SU /390 and SU x86

Topic	SU /390	SU x86
Hardware Architecture of the Server Unit	/390 architecture	x86-64 architecture
CPUs of the Server Unit ¹ Max. number of real CPUs	16	72
Max. number of real CPUs for VM2000 operation	16	16
Hot spare CPUs, managed by VM2000	For all models of the SU /390	Not available; cold spare CPUs can be configured
Extra CPUs, managed by VM2000	For specific models of the SU /390	For specific models of the SU x86
Max. multiprocessor level of a VM ²	16	32
Peripherals Operated peripherals	Fibre Channel peripherals	Fibre Channel peripherals
Operated devices	Devices as of BS2000 OSD/BC V10.0	Devices as of X2000 V6.2 and BS2000 OSD/BC V10.0
Dynamic I/O configuration modification	via BS2000 commands in the monitor system	via the SE manager
Main memory Main memory used	Real main memory of the Server Unit	Real main memory of the Server Unit
Smallest main memory unit managed	1 Mbyte	2 Mbyte
Main memory size of the monitor VM	At least 512 Mbytes, default: 512 Mbytes	At least 1024 Mbytes, default: 1024 Mbytes
monitor system Operating system	BS2000 OSD/BC V11.0	BS2000 OSD/BC V11.0
IPL of the monitor system	Via SE Manager or automatically when the Server Unit is started	Via SE Manager or automatically when the Server Unit is started
Manual restart of the monitor system in the event of an error	Restart via SVP console in the SE Manager	(Diagnostic) IPL via SE Manager

Topic	SU /390	SU x86
Guest systems Operating system	BS2000 OSD/BC V10.0 and V11.0 and later versions if released for VM2000	BS2000 OSD/BC V10.0 and V11.0 and later versions if released for VM2000
Maximum number of VMs/guest systems ³	15	32
BS2000 consoles for operating the guest system	Via SE manager (KVP)	Via SE manager (KVP)
IPL device	Disk or tape device	Disk device
Installation of VM2000 Module/program libraries of VM2000 monitor and VM2000 hypervisor	SYSLNK.... SYSPRG...	SKMLNK.... (VM2000 monitor only)
VM2000 parameters	Startup parameter file and parameter file of the VM2-MON subsystem	Startup parameter file ⁴ and parameter file of the VM2-MON subsystem
Configuration of the monitor VM	Configuration file for the monitor VM in the home pubset of the monitor VM	Configuration file for the monitor VM in domain 0 (via the SE manager)

¹ The numbers in this line reflect the release status when this manual went to print.

VM2000 can manage up to 64 real CPUs. Additional CPUs that are not relevant for VM2000 operation are not displayed.

² Defined by the firmware and the VM2000 implementation.

Further restricted by the number of real normal CPUs in VM2000 operation, see [page 257](#)

³ VM2000 can manage up to 99 VMs.

⁴ From the startup parameter file, only the VM2000 parameter `VERSION` is analyzed.

3 Installing VM2000

You obtain the software product VM2000 as part of a software delivery via the SOLIS delivery system. The installation of VM2000 is carried out using the IMON installation monitor, see the “IMON” [14] manual.

VM2000 consists of the release units VM2000-MON (VM2000 monitor), VM2000-UTIL (VMDUMP) and VM2000-HPV (VM2000 hypervisor, only for SU /390).

The files of the release units VM2000-MON and VM2000-HPV are installed on the TSOS user ID by IMON. Following installation they can be moved manually from TSOS to another user ID. The new file names may then need to be specified as fully qualified names (e.g. in the VM2000 parameters).

For the release unit VM2000-UTIL (VMDUMP) the user ID can be selected when installation takes place.

The application of VM2000 must be prepared following installation using IMON. Details of this are provided in the sections below.

The release units of VM2000 have the following release items:

Component	Meaning	Standard file name
Subsystem catalog for VM2000 monitor	Contains subsystem declarations for the VM2-MON (monitor) subsystem	SYSSSC.VM2000-MON.<ver> ¹
Object module library for VM2000 monitor	Contains the object modules for the VM2-MON subsystem (depending on the architecture of the Server Unit)	SYSLNK.VM2000-MON.<ver> SKMLNK.VM2000-MON.<ver>
RMS selectable unit ² for VM2000 monitor	Contains the Reps required for the VM2-MON subsystem	SYSRMS.VM2000-MON.<ver>
Message file for VM2000 monitor ³	Contains the messages for the VM2-MON subsystem	SYSMES.VM2000-MON.<ver>
SDF syntax file for VM2000 monitor	Contains the VM2000 command description for the VM2-MON subsystem	SYSSDF.VM2000-MON.<ver>
Parameter file for VM2000 monitor	Contains the parameters for the VM2-MON subsystem (sample file)	SYSPAR.VM2000-MON.<ver>.SSP

Component	Meaning	Standard file name
Program file for VM2000 hypervisor	Program file for the VM2000 hypervisor (SU /390)	SYSPRG.VM2000-HPV.<ver>
RMS selectable unit VM2000 hypervisor	Contains the Reps required for the VM2000 hypervisor (SU /390)	SYSRMS.VM2000-HPV.<ver>
Load library for VMDUMP	Contains the module for VMDUMP	SYSLNK.VM2000-UTIL.<ver>
Program file for VMDUMP	Program file for starting VMDUMP	SYSPRG.VM2000-UTIL.<ver>
Message file for VMDUMP	Contains the messages for VMDUMP	SYSMES.VM2000-UTIL.<ver>
RMS selectable unit for VMDUMP	Contains the Reps required for VMDUMP	SYSRMS.VM2000-UTIL.<ver>
ENTER file for VMDUMP	ENTER job for output of a VM2000 dump to file	SYSENT.VM2000-UTIL.<ver>
SYSSII files for VM2000	Structural and installation information files for installation with IMON	SYSSII.VM2000-MON.<ver> SYSSII.VM2000-HPV.<ver> SYSSII.VM2000-UTIL.<ver>
Release notice for VM2000	VM2000 release notice in German and English	SYSFGM.VM2000-MON.<ver>.D SYSFGM.VM2000-MON.<ver>.E

¹ <ver> stands for the version identifier, e.g. 115 for VM2000 V11.5

² The RMS delivery quantities (SYSRMS...) are already incorporated in the RMS depot when installation takes place using IMON. They are stored in separate REP files for the VM2000 hypervisor (SU /390), VM2000 monitor and VMDUMP by RMS at loader setup.

³ The message file is already incorporated in the MIP parameter file at installation using IMON or subsequently using /MODIFY-MIP-PARAMETERS and activated by MIP. See also [page 54](#).

3.1 Generating and configuring the device peripherals

The same device peripherals can be operated in BS2000 native operation and under VM2000.

3.1.1 Device peripherals on SU /390

Hardware generation

When hardware generation takes place for the Server Unit using IOGEN, an IO configuration file (IOCF) is created which defines the entire IO configuration. The IOCF file created is transferred to the service processor in native mode or in the monitor system by means of `/WRITE-IOCF` and is available for the next system startup (in native mode or of VM2000). You can find detailed information on generating channel peripherals in the “System Installation” manual [1].



The BS2000 command `/WRITE-IOCF` can only be used in native operation or in the monitor system.

Redundant configuration

The devices should be configured in such a way as to ensure that their availability is not affected if a channel is (automatically) disconnected by the operating system, i.e. the devices should be made available across multiple channels and by different control systems.

Generating KVP consoles and LAN devices

In addition to the hardware generation, the KVP consoles and LAN devices must be generated with the same mnemonic device names on the MU and HNC using the SE Manager, see the “Operation and Administration” manual [19].

Generating virtual consoles

Devices which are to be assigned to the guest systems as virtual consoles must be generated as consoles with the device type code 02/03 in the ATTACHED state when hardware generation takes place.

The virtual consoles are generated exclusively on a virtual channel type S (see the “System Installation” manual for BS2000/OSD-BC V9.0).



We recommend that no virtual consoles should be generated. The guest systems should be operated with KVP consoles or logical consoles, see [section “Operating the guest systems using BS2000 consoles” on page 102](#).

Detecting the device peripherals

The available device peripherals are detected dynamically by the VM2000 hypervisor, the monitor system and the guest systems from the data of the active IO configuration file (IOCF).

This ensures that VM2000, the monitor system and all of the guest systems know and manage the same device peripherals.

The configuration statuses for devices and connections in the monitor system and the BS2000 guest systems are preset or set via the startup parameter service (IOCONF parameter set), see the “Introduction to System Administration” [2].

Changes to the set of devices through a dynamic change to the I/O configuration (see [page 394](#)) are automatically taken into account by VM2000.

Handling unknown device type codes

If a guest system (successor version) offers new device type codes, these are supported in the monitor system by means of an existing standard device type code. You will find more information in the relevant release notice.

Local and remote communication

For BS2000, ZASLAN and LOCLAN are (communication) devices used for the LAN connection to the physical network or for internal communication of the Server Unit. Each device must be assigned to the appropriate guest system. In addition, the communication paths must be configured in the BCAM of all guest systems.

LOCLAN

This port is emulated by the HNC and, under VM2000, enables a LAN connection to the other VMs that are also connected to LOCLAN, via TCP/IP, see also [section “Using the Highspeed Net Connect HNC \(SU /390\)” on page 387](#).

The LOCLAN port can also be emulated by another MU. However, this only establishes a local connection to M2000, with a gateway to the communication components connected there.

The package size can be up to 64 Kbytes with LOCLAN.

ZASLAN

To connect a VM to external hosts, the Ethernet Controller integrated into HNC can be used (TCP/IP and ISO-LAN connections via Ethernet).

The package size can be up to 1,500 bytes for ZASLAN.



An Ethernet Controller is shared by all guest systems connected to it. For this to function, a separate ZASLAN connection must be configured **for every VM** during the hardware configuration.

3.1.2 BS2000 devices connected to SU x86

The real devices in the periphery are not directly visible for the monitor system and the other BS2000 guest systems. BS2000 guest systems know only the **BS2000 devices** emulated in X2000. This means that BS2000 devices connected to SU x86 are always X2000 emulations of real devices, channel connections being emulated for BS2000.

BS2000 devices, i.e. the emulated devices, are configured exclusively via the SE Manager, see the “Operation and Administration” manual [19]. No hardware generation takes place in BS2000.

Device peripherals required

To prepare VM2000 operation, the devices which are to be provided for the VMs or guest systems must be configured.

A VM or its guest system requires at least:

- One KVP device pair for guest system operating
- LAN devices for the communication system, see [page 50](#)
- Disks for the home pubset

Detecting the device peripherals

The available BS2000 device peripherals are detected dynamically by the monitor system and the BS2000 guest systems from the configuration data of X2000. This ensures that VM2000, the monitor system and all of the BS2000 guest systems know and manage the same device peripherals.

The configuration statuses for devices and connections in the monitor system and the BS2000 guest systems are preset or set via the startup parameter service (`IOCONF` parameter set), see the “Introduction to System Administration” [2].

Changes to the set of devices through a dynamic change to the I/O configuration (see [page 394](#)) are automatically taken into account by VM2000.

Handling unknown device type codes

If a guest system (successor version) offers new device type codes, these are supported in the monitor system by means of an existing standard device type code. You will find more information in the relevant release notice.

Local and remote communication

For BS2000, ZASLAN, LOCLAN and BRGLAN are (communication) devices used for the LAN connection to the physical network or for internal communication of the Server Unit. Each device must be assigned to the appropriate guest system. In addition, the communication paths must be configured in the BCAM of all guest systems.

LOCLAN

This port is emulated by X2000 and enables a LAN connection under VM2000 to the other VMs with BS2000 guest system which are also connected to LOCLAN, via TCP/IP. In addition, this establishes a local connection to X2000 with a gateway to the communication components which are connected there.

The package size can be up to 64 Kbytes with LOCLAN.

ZASLAN

To connect a VM to external hosts, the Ethernet Controller integrated into the Server Unit can be used (TCP/IP and ISO-LAN connections via Ethernet).

The package size can be up to 1,500 bytes for ZASLAN.



An Ethernet Controller is shared by all guest systems connected to it. To do this, a separate ZASLAN connection must be configured **for every VM** using the SE Manager.

BRGLAN

Under VM2000 this connection to an internal LAN bridge enables a LAN connection using TCP/IP to other virtual machines which are also connected to the same LAN bridge. VMs with a BS2000 guest system (as with LOCLAN) and also XenVMs can be connected to the LAN bridge.

With BRGLAN, the packets can be up to 64 Kbytes in size.



The internal LAN bridge must be configured via the SE Manager. A separate BRGLAN connection must be configured for each VM with a BS2000 guest system using the SE Manager.

3.2 Setting up the VM2000 monitor

The VM2000 monitor is designed as a separate DSSM subsystem VM2-MON with its own parameter file. It executes in the monitor system and implements the administration interface for VM2000 operation.



VM2000 is thus independent of the generation of BS2000 OSD/BC.

The monitor REP file must be self-contained; it must not be incorporated in the BS2000 REP loader.

The VM2-MON subsystem has the following properties:

- It is independent of the operating system version in the monitor system
- It is loaded automatically by DSSM before `SYSTEM READY`
- It can process VM2000 commands from the `CMDFILE`
- It is active during the entire system run
- It cannot be controlled by DSSM commands
- It cannot be replaced while the system is running

The VM2000 monitor uses the functions available in BS2000, e.g.:

- Administration from a privileged user task
- Processing command input via SDF and passing it to the processing routines, which then convert these commands into hypervisor calls
- Executing message output, guaranteed messages
- SHOW output in structured S variables
- Accounting tasks for VM2000 and virtual machines.

The central VM2000 monitor functions are implemented by the following system tasks:

VM2M	Main task, command processing
VM2G	General task, executing or distributing jobs (SU /390)
VM2J	Job variable task, updating the MONJVs of VM2000
VM2C	VMCONS task, execution of \$VMCONS
VM2P	Pubset task, determining the pubset devices
VM2E	Task for processing requests of the VM2000 Agent (SU x86)
VM2T	Task for processing requests of an MU or for a VM Migration on the target SU (SU /390)

Parameter file for the VM2-MON subsystem

The parameters of the VM2-MON subsystem are determined in the parameter file SYSPAR.VM2000-MON.<ver>.SSP. The following parameters can be entered:

VMCONS-OPERID = VMADMIN / <name 1..8>

Operator ID of \$VMCONS (user ID, see [page 64](#)) for establishing a connection to \$CONSOLE.

VMCONS-OPERID-PASSWORD = *NONE / <c-string 1..8>

Password for the \$VMCONS operator ID. Hexadecimal passwords are not permitted.

VMCONS-OPERATOR-ROLE = VM2000 / <name 1..8>

Operator role for \$VMCONS (see [page 64](#)).

VMCONS-PASSWORD = *NONE / <c-string 1..4> / <x-string 1..8>

Password for establishing a connection to \$VMCONS. A password comprising only zeros (X'00...00') is ignored (the effect is the same as with *NONE).

390 The following parameter is only relevant on SU /390:

LM-TASK-PRIORITY = *HIGH / <integer 60..255>

Specification of the priority for the VM2000 system tasks that control and perform a VM Migration in the monitor systems of the affected Server Units (source and target SU). The highest possible priority is the default value (*HIGH, corresponds to the value 60). If the priority of the VM2000 system tasks for controlling and performing VM Migrations is reduced, i.e. the value for LM-TASK-PRIORITY is increased, other tasks in the monitor system have a higher probability of being allocated CPU capacity. This can be especially important for a monitor system with the MONO multiprocessor level.

The operand names and keywords must not be abbreviated. If no specification is made or if the specifications are errored, the defaults (underscored) are used. If parameters are specified more than once, the most recently specified value applies. Comment lines are introduced by an asterisk (*).

Coexistence of different VM2000 versions on BS2000

Both VM2000 V11.0 and VM2000 V11.5 can be installed on the home pubset of BS2000 OSD/BC V11.0.

The VM2000 parameter `VERSION=V11.0 / V11.5` controls the VM2000 version to be selected. The default setting is `VERSION=V11.5`.

See [section “Setting the VM2000 parameters in the parameter service” on page 56](#).

Note on the coexistence of multiple VM2000 versions

If multiple versions of the subsystem VM2-MON are installed with IMON, the following must be taken into account:

- An entry for the version-specific message file is contained in the MIP parameter file for each installed version of VM2-MON. When the monitor system is started, the message files of all installed versions of VM2-MON are activated. In ongoing operation the message file which belongs to the started version of subsystem VM2-MON is used.
- An entry for the version-specific SDF syntax file is contained in the SDF parameter file for the latest version of VM2-MON installed. When the monitor system is started, both the SDF syntax file of VM2-MON which is entered in the SDF parameter file and the SDF syntax file which belongs to the started version of the subsystem VM2-MON are activated. In ongoing operation, the SDF syntax file which belongs to the started version of the subsystem VM2-MON is used.

The parameter files need not be cleared for VM2000 operation. If you want to prevent the superfluous message and syntax files from being activated, you can remove the superfluous message file from the MIP parameter file using `/MODIFY-MIP-PARAMETERS` and, if required, correct the SDF syntax file in the SDF parameter file using `/MODIFY-SDF-PARAMETERS`.

Migration to the current VM2000 version on BS2000

Migration from VM2000 V11.0 to VM2000 V11.5 is possible on a BS2000 OSD/BC V11.0 monitor system without changing the monitor system.

See also above, “Coexistence of VM2000 ...”.

3.3 Installing the VM2000 message files

The message file `SYSMES.VM2000-MON.<ver>` of the VM2000 monitor is integrated into the MIP parameter file when VM2000 is installed using IMON; it is activated by MIP.

As an alternative to installation with IMON, the `SYSMES.VM2000-UTIL.<ver>` message file can also be incorporated in the startup parameter service by adding the message file to the MSGFIL system parameter in the SYSOPT-CLASS2 parameter set and activated when the monitor system is started:

```
MSGFILxx=<msg_filename>
MSGOFL=n
```

xx is the consecutive number (01..15) in the MSGFIL system parameter, and `msg_filename` is the fully qualified name of the message file.

Accordingly, the number `n` of the message files must be incremented by one.

Messages of VM2000

VM2000 messages have the message code `VMSxyyy`:

- x specifies the message type:
 - 0 messages from the VM2000 hypervisor (SU /390)
 - 1-4 messages from the VM2000 monitor
 - 5 messages from VM2000 initialization when the monitor system is started up
 - 6 messages from the VM2000 monitor especially for SU x86
 - 7-8 not used
 - 9 special command return codes
- yyy consecutive message number (3-digit, 000 to 999).

The “Meaning” and “Response” texts for a message can be requested by means of the BS2000 command `/HELP-MSG-INFORMATION VMSxyyy`.

You will find all messages using an HTML application on our manual server (URL: <http://manuals.ts.fujitsu.com>) in the current version of BS2000 OSD/BC instead of in the previous manual “System Messages” and on the DVD “BS2000 SoftBooks”.

You can also use the MSGMAKER utility routine (see “utility routines” user guide [3]) to retrieve all messages from the VM2000 message file.

The guaranteed messages of VM2000 are listed in the related command descriptions, see also [section “Guaranteed messages” on page 432](#).

3.4 Installing the VM2000 hypervisor files (SU /390)

x86 On SU x86 hypervisor functions are executed by the Xen hypervisor. It is not necessary to install the VM2000 hypervisor.

Installation of the **program file** and the **REP loader** for the VM2000 hypervisor is dependent on the startup mode in which the monitor system is to be initialized (see [page 67](#)). There are two options for installation:

- Initializing the monitor system with a dialog startup.
When a dialog startup is used, the file name of the program file (message VMS5005) and the REP file (message NSI0050) is requested at the BS2000 console. Therefore any name can be chosen for the VM2000 hypervisor files at startup of the monitor system.
- Initializing the monitor system with a fast or automatic startup.
In this case, the names of the VM2000 hypervisor files must be entered in the startup parameter file or the files must be created under their standard file names (SYSPRG.VM2000-HPV.<ver> or SYSREP.VM2000-HPV.<ver>) on the home pubset of the monitor system.

i The structure, loader setup, buffering and logging of the VM2000 hypervisor Reps are organized in the usual way, see the section entitled “System corrections” in the “Introduction to System Administration” [2].

The VM2000 hypervisor Rep file must be an independent Rep file; it must not be incorporated in other Rep loaders.

Current corrections for the VM2000 hypervisor can also be made online by the Customer Service without interrupting operation.

3.5 Setting the VM2000 parameters in the parameter service

The parameters of VM2000 are set in the startup parameter file of BS2000 OSD/BC. The following parameters can be entered between the lines `/BEGIN VM2000` and `/EOF`:

`VERSION = V11.0 / V11.5 / Vmm.n[a]`

Version of VM2000, where `mm.n` is the version number and (for compatibility reasons) `a` is the correction status of the VM2000 version to be selected. The specification of a correction status is ignored.

This specification is only necessary if the required VM2000 version is not the standard VM2000 version of the monitor system used.

The default value is `VERSION=V11.5` for BS2000 OSD/BC V11.0 (SE server).

390 The following parameters are only relevant on SU /390:

`CONFIGURATION = SYSPAR.VM2000-MON.<version> / <filename 1..54>`

Name of the configuration file for the monitor VM.



If this parameter is not specified, startup selects the default file of the VM2000 version (dependent on the `VERSION` parameter).

`HYPERVERISOR = SYSPRG.VM2000-HPV.<version> / <filename 1..54>`

Name of the VM2000 hypervisor file.



If this parameter is not specified, startup selects the default file of the VM2000 version (dependent on the `VERSION` parameter).

`HYPERVERISOR-SIZE = *BY-SYSTEM / <integer 4..255>`

Specifies the size of the hypervisor main memory in Mbytes (see [page 310](#)).

When `*BY-SYSTEM` is specified, VM2000 calculates the size of the main memory for the VM2000 hypervisor. The size is largely dependent on the number of devices generated. An additional 1 Mbyte per 2 Gbytes main memory size is added for the execution of VM Migrations.

You can also set the size of the hypervisor main memory explicitly with `<integer 4..255>` in order to arrive at a main memory size that is independent of the number of devices generated.



If the specified hypervisor main memory size is too small, VM2000 hypervisor bottlenecks can be expected at command input or when internal hypervisor jobs are processed. In this case, commands are terminated with message `VMS4513`, or the VM2000 administrator is informed at intervals (`VMS4514`).

HYPERVISOR-REP = SYSREP.VM2000-HPV.<version> / <filename 1..54>
 Name of the VM2000 hypervisor's Rep file.



If this parameter is not specified, startup selects the default file of the VM2000 version (dependent on the `VERSION` parameter).

ASSIGN-BY-GUEST = *NO / *YES

This specification defines for all devices whether they must by default be assigned explicitly to a VM (`ASSIGN-BY-GUEST=*NO`) or whether they can also be assigned implicitly to a VM by the guest system (`ASSIGN-BY-GUEST=*YES`), see [page 326](#). In the case of `ASSIGN-BY-GUEST=*YES` the devices are assigned by VM2000 to the assignment set `*STDSET`. During operation these definitions can be changed for existing and new devices using `/MODIFY-VM-DEVICE-ATTRIBUTES`.

The settings for the VM2000 parameter `ASSIGN-BY-GUEST` are output in the `/SHOW-VM-RESOURCES` command when `INFORMATION=*CONFIGURATION` is specified.

The operand names and keywords must not be abbreviated.

If no specification is made or if the specifications are errored, the defaults (underscored) are used. If parameters are specified more than once, the most recently specified value applies. Comment lines are introduced by an asterisk (*). Refer to the “Introduction to System Administration” [2] for more details on the startup parameter service.



BS2000 OSD/BC offers automatic selection of the parameter file by startup. For the monitor system, the suffix from the IOCF generation (SU /390) or the system name (SU x86) is appended to the default parameter file.

This also applies for guest systems under VM2000.

If the guest system on an SU x86 is started via an automatic restart or via the SE Manager, the system name is appended as a suffix.

In all other cases (especially of guest systems on SU /390), the VM name is added as a suffix. You will find more information in the “System Installation” manual [1].

Example of a VM2000 parameter set (SU /390)

```
/BEGIN VM2000 _____ (1)
* VM2000 PARAMETERS
CONFIGURATION=$MYUSERID.CONF.VM2000 _____ (2)
/EOF _____ (3)
```

- (1) Start of the VM2000 parameter set.
- (2) A version-independent parameter file is used to configure the monitor VM. The defaults are used for the remaining VM2000 parameters.
- (3) End of the VM2000 parameter set.

3.6 Configuration settings for the monitor VM

To operate VM2000, a few configuration settings must be made for the monitor VM which depend on the architecture of the Server Unit.

3.6.1 Configuration via the VM2000 configuration file (SU /390)

On SU /390, the attributes and resources for the monitor VM are defined in the VM2000 configuration file.

This file is a SAM file, whose name is specified in the VM2000 parameters (default: SYSPAR.VM2000-MON.<ver>).


In the configuration file comment lines (/REMARK) are also permitted. Continuation lines are not permitted. A line should not exceed 159 characters in length.

The configuration file may contain the following VM2000 commands:

- /CREATE-VM (see command description on [page 465](#))

This command defines the following attributes and resources for the monitor VM:

- Main memory size of the monitor VM in Mbytes. The DIMENSION operand cannot be specified (MEMORY-SIZE = <integer 1..1048576>).
Main memory size is at least 512 Mbytes (default value).
- Minimum main memory size of the monitor VM
MIN-MEMORY-SIZE = *STD (default value) is recommended. Minimum: 512 Mbytes.
The DIMENSION operand cannot be specified.
- Maximum main memory size of the monitor VM (MAX-MEMORY-SIZE)
This operand is of no significance.
- VM name (VM-NAME)
(max. 8 characters); *default value*: VM0001
- CPU quota of the monitor VM (CPU-QUOTA)
(integer from 1 to 99), *default value*: 14
The CPU-QUOTA=*BY-VM-GROUP(. . .) operand cannot be specified as no VM group is created in the startup phase of the monitor system. The monitor VM can be added to a VM group later using /ADD-VM-TO-VM-GROUP.
- Maximum CPU utilization of the monitor VM (MAX-CPU-UTILIZATION)
(integer from 1 to 100), *default value*: 100

- Maximum I/O utilization of the monitor VM (MAX-IO-UTILIZATION) (integer from 1 to 100), *default value: 100*
 - Assigning the monitor VM to a CPU pool (CPU-POOL)
This operand cannot be specified.
The monitor VM is initially always assigned to the standard CPU pool. It can be assigned to a different CPU pool later using /ASSIGN-VM-TO-CPU-POOL.
 - Administration password (PASSWORD) (max. 8 bytes); *default value: *NONE (no password)*
 - Multiprocessor level (PROCESSOR = *MONO / *BI / *TRIPLE / *QUADRO / *OCTO / *MAXIMUM / *EXTRA-AND-NORMAL / <integer 1..16>),
*Default value: *MAXIMUM*, i.e. the monitor VM is created with the maximum possible number of virtual CPUs. The maximum number of virtual CPUs corresponds to the number of real normal CPUs in the Server Unit, but may not be greater than 16 virtual CPUs.
- 

If there is no productive operation in the monitor system but only administration, the multiprocessor level *MONO (with virtual spare CPU) or *BI (failsafe operation) should be selected to avoid performance losses in the VM2000 system.

If VM Migration is to be used, the multiprocessor grade *BI is recommended and expected for a performant process.
- Location of monitor the VM in main memory (LOCATION)
This operand is of no significance.
The location of the monitor VM in main memory is determined by VM2000.
 - VM index (VM-INDEX)
This operand is of no significance.
“1” is always assumed to be the VM index of the monitor VM.
 - Command/function range for the VM2000 administrator (ADMIN-PRIVILEGES=*STD/*MIN); *default value: *STD (full range)*
 - Privileges of the monitor VM (IO-RESET=*NO/*YES, IO-PRIORITY=*NO/*YES, AUTO-SNAP-ASSIGNMENT=*YES/*NO, ASSIGN-BY-GUEST=*NO/*YES without specification of PRIVILEGES=*PARAMETERS(. . .)).
For the meaning, see [page 142](#).
Assignment sets (ASSIGN-BY-GUEST=*YES) cannot be specified.
 - Specification whether, in the case of fixed CPU assignment (dedicated CPUs), the monitor VM still retains control over a real CPU if the monitor VM's virtual CPU which runs on it is inactive (uninterruptible wait state). (VM-ACTIVE-IDLE=*NO/*AT-DEDICATED-CPUS),
*Default value: *NO (the real CPU is deleted)*

- MONJV to monitor the VM (MONJV)
The operand cannot be specified for the monitor VM.
 - PERSISTENT attribute for persistent creation of the VM
Only PERSISTENT=*NO may be specified for the monitor VM.
- /ADD-VM-DEVICES UNITS=list-poss(28):<alphanum-name 2..2>/<x-text 4..4>
(see command description on [page 439](#))

This command is used (however many times is necessary) to assign VM devices to the monitor VM. Wildcards, device ranges or pubsets cannot be specified here. The KVP console device pair and the devices of the home pubset are automatically assigned explicitly to the monitor VM at startup of the monitor system.



Commands in the configuration file which do not refer to the monitor VM are ignored.

If /CREATE-VM is issued more than once, the operand values of the most recent correct command are used to initialize the monitor VM.

If /ADD-VM-DEVICES is specified for a device more than once, the TYPE operand of the last correctly entered command is used for the device.

Example of a configuration file

```

/CREATE-VM MEM-S=512,MIN-MEM-S=512,VM-N=MONITOR,CPU-Q=20,PROC=BI,PASS=      (1)
/REMARK HOME PUBSET (SPECIFICATION OPTIONAL) _____ (2)
/ADD-VM-DEVICES VM-ID=1,UNITS=(9900,9901,9902) _____ (3)
/REMARK REDUNDANT MAIN CONSOLES
/ADD-VM-DEVICES VM-ID=1,UNITS=(C2,C3,C4,C5)
/REMARK EMULATED LAN DEVICES OF REDUNDANT MANAGEMENT UNITS
/ADD-VM-DEVICES VM-ID=1,UNITS=(CC80,CC81,CD80,CD81)
/REMARK REDUNDANT HNC DEVICES
/ADD-VM-DEVICES VM-ID=1,UNITS=(CC40,CC41,CD40,CD41)
/REMARK SHARED DISK
/ADD-VM-DEVICES VM-ID=1,UNITS=990F,TYPE=*SD _____ (4)

```

- (1) Set up monitor VM.
- (2) Comment line.
- (3) Certain devices are assigned exclusively to the monitor VM.
- (4) A device is assigned to be shared between the monitor VM and other VMs.

Initializing the monitor system **without** the configuration file is only possible if the **entire** paging area has been created on the home pubset of the monitor system.

Here the following cases must be distinguished:

- Dialog startup
In this case, it is possible to enter the commands listed above for the monitor VM. If this is not done, the default values apply to the monitor VM, and the KVP console and the devices of the home pubset are assigned to the monitor VM explicitly at startup.
- Fast and automatic startup
In this case, the default values for `/CREATE-VM` apply (see [page 58](#)), and the KVP console and the devices of the home pubset are assigned to the monitor VM explicitly at startup.

3.6.2 Configuration using the SE Manager (SU x86)

The configuration settings for the monitor VM are made on SU x86 using the SE Manager, see the “Operation and Administration” manual [19].

Any existing configuration file for the monitor VM on the home pubset is ignored.

Setting the attributes and resources for the monitor VM

These settings must be specified via the SE Manager before VM2000 operation is initialized for the first time.

The following startup settings can be specified or changed for the monitor VM in the *BS2000 operation mode* tab of the *Systems > name of the SU x86* menu:

- Multiprocessor level (number of virtual CPUs, default value: 1)
- Current, minimum and maximum main memory size in Mbyte (default value: 1024)
- Devices assigned (default value: empty device list)
- Password for administration (default value: no password)

The monitor VM must be assigned (explicitly and exclusively) at least the IPL disk, the devices of the home pubset and a KVP device pair via the SE Manager. Devices for shared use with other VMs can also be assigned.

In VM2000 operation the default values are used for the attributes of the monitor VM which cannot be set via the SE Manager. Changes, for example in the `ASSIGN-BY-GUEST` attribute, must be made later using `/MODIFY-VM-ATTRIBUTES`.

Changes to the attributes and resources of the monitor VM in VM2000 operation have **no** influence on the startup settings of the monitor VM.

Settings for automatic IPL and shutting down the monitor system

The SE Manager can be used to specify settings for automatic IPL of the monitor system and the remaining runtime for BS2000 shutdown.

The following settings for automatic IPL of the monitor system can be specified in the *VM options* tab of the *Systems > name of the SU x86 > Virtual machines > BS2000* menu:

- IPL option (automatic IPL selected / not selected)
- IPL device (boot disk)
- IPL console (console device)
- Startup mode
- System name



The IPL option is always reset (automatic IPL not selected) after the operating mode has been changed. The other settings for automatic IPL remain unchanged.

The remaining runtime for the BS2000 shutdown can also be specified in the *VM options* tab (default: 30 minutes). This time applies to the monitor system and all BS2000 guest systems when the Server Unit is shut down (see [page 82](#)).

3.7 Preparing to use \$VMCONS

The use of \$VMCONS for VM2000 operation is optional. If the recommended administration and operating media are used (see [section “VM2000 Operating strategy” on page 90](#)), the measures described in this section do not have to be carried out.

\$VMCONS connects to UCON via the system application \$CONSOLE. To operate correctly, \$VMCONS requires authorization to send VM2000 commands to UCON and to receive the corresponding messages from UCON. This means that it is necessary to define an operator ID and an operator role for \$VMCONS using BS2000 commands in the monitor system and to link these to each other.

1. Set up an operator ID for \$VMCONS used as the user ID in the user catalog of the home pubset (privilege: USER-ADMINISTRATION):

```
/ADD-USER USER-IDENTIFICATION=VMADMIN/<name 1..8>,
      PROTECTION-ATTRIBUTE=*PARAMETERS(
      LOGON-PASSWORD=*NONE/

```

The user ID must be specified as the parameter VMCONS-OPERID in the parameter file of the VM2-MON subsystem (default value: VMADMIN), see [page 52](#).

The password for the user ID must be specified as the parameter VMCONS-OPERID-PASSWORD in the parameter file of the VM2-MON subsystem (default value: *NONE). Hexadecimal passwords are not permitted.

If the software product SECOS is used, (see [11]) /MODIFY-LOGON-PROTECTION can be used to restrict access to VMCONS-OPERID to programs only (privilege: USER-ADMINISTRATION):

```
/MODIFY-LOGON-PROTECTION
      USER-IDENTIFICATION=VMADMIN/<name 1..8>,
      DIALOG-ACCESS=*NO,
      BATCH-ACCESS=*NO,
      RBATCH-ACCESS=*NO,
      OPERATOR-ACCESS-TERM=*NO,
      OPERATOR-ACCESS-PROG=*YES
```


2. Set up the operator role for \$VMCONS. This is a set of routing codes describing the range of tasks to be performed by \$VMCONS (privilege: SECURITY-ADMINISTRATION):

```
/CREATE-OPERATOR-ROLE OPERATOR-ROLE=VM2000/<name 1..8>,  
ROUTING-CODE=9, PUBSET=*HOME
```

The name of the operator role must be specified as the parameter `VMCONS-OPERATOR-ROLE` in the parameter file of the VM2-MON subsystem (default value: VM2000). Routing code "9" covers all VM2000 commands and messages.



To avoid undesirable reactions, use only routing code "9".

3. Assign the \$VMCONS operator role to the \$VMCONS operator ID (privilege: SECURITY-ADMINISTRATION):

```
/MODIFY-OPERATOR-ATTRIBUTES USER-IDENTIFICATION=VMADMIN/<name 1..8>,  
ADD-OPERATOR-ROLE=VM2000/<name 1..8>,  
PUBSET=*HOME
```



To avoid undesirable reactions, do not assign any further operator roles to the operator ID.

3.8 Installing the guest systems

No special requirements need to be observed when installing these guest systems and the successor versions to BS2000 OSD/BC V11.0, provided that these are released for use under VM2000 V11.5 (see Release Notices).

4 Initializing and terminating VM2000

This chapter describes the initialization and termination of VM2000 operation and of the monitor system. In addition, notes are given on the loading, operating and termination of guest systems.

4.1 Initializing VM2000 operation

To initialize VM2000 operation, first the operating mode for VM2000 operation is set and then the monitor system is started.

4.1.1 Operating modes

All Server Units have the operating modes “Native operation” and “VM2000 operation”.

The operating mode is set using the SE Manager in the main menu (Server Unit selected) in the *BS2000 operation mode* tab.

390 On the SU /390 the operating mode can also be set using the functions of the SVP console. The SVP console can be opened in the *BS2000 operation mode* tab in the SE Manager (SU /390 selected).

When the Server Units are started, the operating mode of the previous session is set again.

Before switching the operating mode from “VM2000 operation” to “Native BS2000”, first all BS2000 guests systems and then the monitor system must be terminated, see [section “Terminating the monitor system and VM2000” on page 81](#).

Special considerations on the SU x86

On the SU x86 the operating mode can also be switched during ongoing operation. In this case the SU x86 and any XenVMs which are present continue to operate. However, BS2000 systems must be terminated first.

The operating mode applies (also when it is changed during ongoing operation) only for BS2000 guest systems.

Before switching the operating mode from “Native operation” to “VM2000 operation”, it may first be necessary to shut down the native BS2000 system of the domain `BS2000`.

Switching the operating mode to “VM2000 operation” terminates the domain `BS2000` and a domain with the domain name `MONITOR` and the startup settings for the monitor VM is configured, see [page 62](#).

Switching the operating mode to “Native operation” terminates the domain `MONITOR` and a domain with the domain name `BS2000` and the startup settings for the native BS2000 system is configured.

4.1.2 Starting the monitor system

See also the “Operation and Administration” manual [19].

Starting the monitor system on an SU /390

The monitor system on an SU /390 can be started in various ways:

- When the operating mode is switched to "VM2000 operation" using the SE Manager (see [page 68](#)), the monitor system is started immediately.
- After the SU /390 has been started in the operating mode "VM2000 operation", the monitor system can be started as follows:
 - Automatically (after a corresponding setting has been made in the SVP)
 - Manually using the SE Manager in the main menu (monitor VM selected) in the *Operation* tab with the action *BS2000 IPL*
 - Manually using the functions of the SVP console. The SVP console can be opened in the SE Manager (SU /390 selected) in the *BS2000 operation mode* tab.

Starting the monitor system on an SU x86

After the operating mode “VM2000 operation” has been set, the monitor system on an SU x86 can be started in different ways:

- Automatically when initializing the domain MONITOR (see [page 63](#))
- Manually using the SE Manager in the main menu (monitor VM selected) in the *Operation* tab with the action *BS2000 IPL*
- Manually using SVP functions of the KVP console which is assigned to the monitor VM

4.2 Starting up the monitor system

The monitor system can be started up in DIALOG, FAST and AUTOMATIC mode (see the “Introduction to System Administration” [2]). When it is started up in VM2000 operation, special components of VM2000 also run.

4.2.1 Required components

Certain files and components are required for startup of the monitor system in addition to native operation. They can be created in the case of dialog startup under a file name of your own choice. In the other startup modes, they must be entered in the parameter file or set up under their default name.

The following files are required:

File / component	Function	Special for VM2000	Changed for VM2000	Unchanged like BS2000
Startup for BS2000 OSD/BC	System initialization for BS2000 OSD/BC and VM2000 (monitor system)			x
Organizational program for BS2000 OSD/BC	Organizational program of the monitor system, Standard-EXEC			x
Startup parameter file	Contains parameters for BS2000 and VM2000 operation (see page 56)		x	
Rep loader for BS2000 OSD/BC	Contains system corrections for BS2000 OSD/BC			x
390 Hypervisor file for VM2000	Program file for the VM2000 hypervisor (see page 55) on SU /390	x		
390 Hypervisor Rep file	Contains system corrections for the VM2000 hypervisor on SU /390	x		
390 Configuration file for the monitor VM	Required on SU /390 if the default settings and the default device configuration of the monitor VM are to be changed (see page 58)	x		
MIP parameter file	Contains the message files			x
SDF parameter file	Contains the command files			x
Subsystem VM2-MON	Contains the components of the VM2000 monitor (including parameter syntax and message files)	x		

4.2.2 Startup procedure in the monitor system

Startup for the monitor system proceeds in the same way as in native operation of BS2000 OSD/BC, apart from some additional actions for VM2000.

The “Introduction to System Administration” [2] provides a more detailed description.

- 390 On SU /390 the startup of the monitor system is terminated if initialization of VM2000 is faulty.
- x86 On SU x86 startup of the monitor system is continued even if initialization of VM2000 is faulty. The error can then be corrected during ongoing operation and the monitor system can be restarted (e.g. by means of /SHUTDOWN and Restart).

If no parameter set for VM2000 is entered in the startup parameter file, the default values are used for the VM2000 parameters (see [page 56](#)).

- i Startup checks whether a version specified in the parameter file matches the loaded version of the VM2000 monitor (VM2-MON subsystem) and the VM2000 hypervisor (SU /390).

The attributes and resources of the monitor VM were set when VM2000 was installed, see [chapter “Installing VM2000” on page 45](#).

- 390 Regardless of what is specified for the monitor system in the `PROCESSOR` operand, **all** of the real (normal) CPUs that are ready for operation are started at startup of VM2000. The hot spare CPUs and extra CPUs are also made ready for operation.

System initialization for the monitor system is terminated with the messages:

```
VMS5541 *** VIRTUAL MACHINE SYSTEM VM2000 V11.5A READY ***
NSI0000 *** S Y S T E M   R E A D Y   ***
```

- 390 If VM2000 on SU /390 can work with VM definitions, after `BCAM ACTIVE` the following message is displayed:

```
VMS2330 STORAGE FOR VM DEFINITIONS ACCESSIBLE
```

Dialog startup

In the case of a dialog startup, after the corrections for the operating system have been requested, entries are requested on SU /390 for the VM2000 hypervisor and the monitor VM.

- x86 On SU x86 the attributes and resources for the monitor VM are set via the SE manager, see [section “Configuration using the SE Manager \(SU x86\)” on page 62](#). No further specifications can be made for VM2000 when startup takes place.

The entries can either be contained in the configuration file or be input directly at the BS2000 console. After the entries for VM2000, the dialog startup procedure is continued in the same way as for native operation.

The steps of the dialog startup procedure relevant for VM2000 are outlined below:

- The operator is requested to enter the file name of the VM2000 hypervisor file:

```
VMS5005 ENTER VM2000 HYPERVISOR FILE NAME.
        REPLY(<FILE NAME>; EOT(USE STANDARD FILE))
```

The following responses are possible:

P. A VM2000 hypervisor file which is cataloged in the parameter file or under the standard file name `SYSPRG.VM2000-HPV.<ver>` is loaded.

P.<filename> A VM2000 hypervisor file which is created as a PAM file under the name <filename> is loaded (see [page 55](#)).

- The operator is requested to enter the file name of the VM2000 hypervisor Rep file:

```
NSI0050 SPECIFY VM2000 HYPERVISOR REP FILE OR DEVICE.
        REPLY ( EOT ( USE STANDARD FILE ); FN=FILENAME, ( VOL=VSN ); CONS; END )
```

The following responses are possible:

P. The standard VM2000 hypervisor Rep file entered in the parameter file or cataloged under the standard file name `SYSREP.VM2000-HPV.<ver>` is processed (see [page 55](#)).

P.FN=<filename>

A VM2000 hypervisor Rep file created as a SAM file under the file name <filename> is processed.

P.CONNS Direct entry of Repls at the BS2000 console. The dialog is the same as when entering Repls in native operation.

P.END Entry of the Repls is terminated. Startup continues.



More than one file can be processed. Additional Repls can be entered at the BS2000 console.

- The operator is requested to input the file name of the configuration file for the monitor system or to input VM2000 commands at the BS2000 console.

```
VMS5027 SPECIFY VM2000 CONFIGURATION FILE NAME.
      REPLY (EOT(USE STANDARD FILE); FN=<FILE NAME>(,VOL=<VSN>);
      CONS(CONSOLE CMD INPUT); END(END OF INPUT))
```

The following responses are possible:

P. A configuration file of the monitor VM entered in the parameter file or cataloged under the standard file name `SYSPAR.VM2000-MON.<ver>` is processed.

P.FN=<filename>

The configuration file <filename> is processed.

P.CONSOLE Direct input of VM2000 commands at the BS2000 console. The VM2000 commands are requested with the message:

```
VMS5021 ISSUE VM2000 COMMAND (MAX. 70 CHARACTERS)
      OR 'END' (EOT=END). REPLY (DESIRED INPUT)
```

One or more VM2000 commands `/CREATE-VM` and `/ADD-VM-DEVICES` can then be specified for the monitor VM (see [page 58](#)).

The maximum permissible input length is 70 characters (without P.).

P. terminates the input of the VM2000 commands from the BS2000 console.

P.END Input for VM2000 is terminated. Startup continues.

- The message `VMS5027` is repeated until the response `P.END` is received. Several configuration files can be processed. The last `/CREATE-VM` correctly entered overwrites the previous `/CREATE-VM`.
- If `P.END` is entered immediately in response to message `VMS5027`, the default values are assumed for the attributes of the monitor VM (see [page 58](#)).
- Errors in the configuration file commands are reported at the BS2000 console. File processing continues.

4.2.3 Example of startup in the monitor system

This example shows a startup of the monitor system BS2000 OSD/BC V11.0 on an SU / 390. The output shown omits the parts which do not affect VM2000 (indicated by "...").

```
%P.NSI00E3 IPL-REPS READ: 0; EXECUTED: 0
%p.NSI1100 IPL DEVICE = 4IVV.0; IPL PATH = 9900 (MN=9900)
%p.NSI1106 *** BS2000 DIALOGUE STARTUP ***
?p.NSI1110 ENTER OPTIONS OR EOT. REPLY (UNLOCK,TEST,ALLDISK,DRV-SELECT,
      CREATE-DRV,IPL-CONF)

p.
%p.NSI3135 IPL DISK-SETUP READ FROM IPL-CONF PREPARED <date> <time>
%p.NSI1143 003 PUBVOLS OF HOME-PVS 4IVV WITH SYSID 174 ONLINE
%p.NSI1145 4IVV.0 <date> <time> ON 9900
%p.NSI1145 4IVV.1 <date> <time> ON 9901
%p.NSI1145 4IVV.2 <date> <time> ON 9902
%p.NSI1153 STATE OF PROCESSORS ONLINE:
%p.NSI1155 CPU 00 ONLINE, ATTACHED (IPL CPU)
%p.NSI1158 CPU 01 ONLINE, DETACHED
%p.NSI1158 CPU 02 ONLINE, DETACHED
%p.NSI1158 CPU 03 ONLINE, DETACHED
%p.NSI1158 CPU 04 ONLINE, DETACHED
%p.NSI1163 LOCAL DATE = <date>, TIME = <time> FROM SVP
%p.NSI1180 LOAD ADDRESS OF SYSPRG.STRT.200 = 00777000
%p.NSI00E6 SYSREP.STRT.200 IS USED AS REP FILENAME
?p.NSI0050 SPECIFY PARAM FILE OR DEVICE.
      REPLY (EOT (USE STANDARD FILE);FN=FILENAME(,VOL=VSN);CONS;END)

p.
%p.NSI00E6 SYSPAR.BS2.200.SU700001 IS USED AS PARAM FILENAME
%p.NSI008A PROCESSING PARAMETER ADD FILE PARAMS.VM2000 _____ (1)
?p.NSI0050 SPECIFY PARAM FILE OR DEVICE.
      REPLY (EOT (USE STANDARD FILE);FN=FILENAME(,VOL=VSN);CONS;END)

p. end
?p.NSI1190 ENTER BS2000-FILENAME.
      REPLY (FILENAME(,VOL=VSN); EOT (USE STANDARD FILE))

p.
?p.NSI0050 SPECIFY BS2000 REP FILE OR DEVICE.
      REPLY (EOT (USE STANDARD FILE);FN=FILENAME(,VOL=VSN);CONS;END)

p.
%p.NSI00E6 SYSREP.BS2.200 IS USED AS REP FILENAME
?p.NSI0050 SPECIFY BS2000 REP FILE OR DEVICE.
      REPLY (EOT (END); FN=FILENAME(,VOL=VSN);CONS;END)

p. end _____ (2)
```

(1) The VM2000 parameters are also read in the startup parameter service.

(2) The Rep entry for BS2000 OSD/BC is terminated.

```

%P.NSI0028 AVAILABLE MEMORY = 15.5 GB. CPU = 30029001 26000000
%P.NSI5103 BS2000 : NAME = <name>, VERSION = 20.0A00,
      GEN-TIME = <date> <time>
?P.VMS5005 ENTER VM2000 HYPERVISOR FILE NAME.
      REPLY (<FILE NAME>; EOT(USE STANDARD FILE))

p. _____ (3)
%P.VMS5015 VM2000 HYPERVISOR LOADED FROM FILE 'SYSPRG.VM2000-HPV.115'
?P.NSI0050 SPECIFY VM2000 HYPERVISORREP FILE OR DEVICE.
      REPLY (EOT (USE STANDARD FILE);FN=FILENAME(,VOL=VSN);CONS;END)

p. _____ (4)
%P.NSI00E6 SYSREP.VM2000-HPV.115 IS USED AS REP FILENAME
?P.NSI0050 SPECIFY VM2000 HYPERVISORREP FILE OR DEVICE.
      REPLY (EOT (END); FN=FILENAME(,VOL=VSN);CONS;END)

p.end _____ (5)
?P.VMS5027 SPECIFY VM2000 CONFIGURATION FILE NAME.
      REPLY (EOT(USE STANDARD FILE); FN=<FILE NAME>(,VOL=<VSN>);
      CONS(CONSOLE CMD INPUT); END(END OF INPUT)) _____ (6)
p. _____ (7)
%P.VMS5014 FILE 'SYSPAR.VM2000-MON.115' IS USED AS
      VM2000 CONFIGURATION FILE _____ (8)

```

- (3) The default hypervisor file is to be used.
- (4) The default VM2000 hypervisor Rep file is to be used.
- (5) The input for the VM2000 hypervisor Rep file is concluded.
- (6) Input is requested for VM2000. It is possible to specify the configuration file for the monitor VM or enter VM2000 commands for the monitor VM on the BS2000 console.
- (7) The default configuration file is to be used.
- (8) The specifications of the configuration file are logged (only) in the CONSLOG file.

```

?P.VMS5027 SPECIFY VM2000 CONFIGURATION FILE NAME.
      REPLY (EOT(USE STANDARD FILE); FN=<FILE NAME>(,VOL=<VSN>);
      CONS(CONSOLE CMD INPUT); END(END OF INPUT))
p.cons _____ (9)
?P.VMS5021 ISSUE VM2000 COMMAND (MAX. 70 CHARACTERS) OR 'END'.
      REPLY (DESIRED INPUT; EOT=END) _____ (10)
p.add-vm-devices units=(fc10,fc11,fc12),vm-id=1 _____ (11)
?P.VMS5021 ISSUE VM2000 COMMAND (MAX. 70 CHARACTERS) OR 'END'.
      REPLY (DESIRED INPUT; EOT=END) _____ (12)
p. _____ (12)
?P.VMS5027 SPECIFY VM2000 CONFIGURATION FILE NAME.
      REPLY (EOT(USE STANDARD FILE); FN=<FILE NAME>(,VOL=<VSN>);
      CONS(CONSOLE CMD INPUT); END(END OF INPUT))
p.end _____ (13)
%P.VMS5049 NUMBER OF REAL CPU(S) RUNNING: 4 _____ (14)
%P.VMS5050 NUMBER OF AVAILABLE SPARE-CPU(S): 1 _____ (15)
%P.VMS5020 STARTUP OF THE MONITOR SYSTEM IN BIPROCESSOR MODE _____ (15)
%P.VMS5016 TOTAL MAIN MEMORY FOR VM2000: 15872 MB;
      MONITOR VM SIZE: 512 MB; HYPERVISOR SIZE: 16 MB _____ (16)
%P.EMM2960 EFFECTIVE SYSSIZE VALUE IS 240 MB
%P.NSI5150 CPU'S ONLINE: 2 CPU'S INSTALLED: 4
%P.ETMGT10 GTIME-VALUES FOR SESSION: ZONE=+01:00, DIFF=1:00
%P.ETMGT01 TODR-EPOCH FOR SESSION: EPOCH=04
%P.NSI3130 IPL-CONF SAVED ONTO DISK MN=9900 WITHOUT ERRORS

```

- (9) VM2000 commands are to be entered for the monitor VM on the BS2000 console.
- (10) A VM2000 command is requested. /CREATE-VM and /ADD-VM-DEVICES are permitted.
- (11) The monitor VM is assigned further devices with /ADD-VM-DEVICES. The maximum permissible input length for the command is only 70 characters here (not counting P.).
- (12) The entry of VM2000 commands on the BS2000 console is to be terminated.
- (13) Startup is to be continued.
- (14) Outputs the number of real normal CPUs which are available for VM2000 operation. In addition, an spare CPU is available.
- (15) The monitor VM is operated as a biprocessor system.
- (16) VM2000 logs how much main memory is currently available.

```

%E.EMM2301 PAGING AREA ON VOLUME 4IVV.0 SIZE = 00875.00 MB.
%E.EMM2301 PAGING AREA ON VOLUME 4IVV.1 SIZE = 00875.00 MB.
%E.EMM2301 PAGING AREA ON VOLUME 4IVV.2 SIZE = 00875.00 MB.
%E.EMM2850 THE SIZE OF THE PAGING-AREA IS 0002625.00 MB;
          THE RESERVED SIZE OF THE PAGING-AREA IS 0000011.60 MB.
%P.NSI6102 BS2000 EXECUTIVE: CLASS2 ACTIVE
%E.EMM2310 THE SIZE OF MAIN MEMORY IS 00000512 MB;
          THE MINIMAL SIZE OF MAIN MEMORY IS 00000512 MB
...
NMH1102 MESSAGE OUTPUT FILE ':4IVV:$TSOS.SYSMES.VM2000-UTIL.115',
          ACCESS=ISAM, ACTION=ADD _____ (17)
NMH1102 MESSAGE OUTPUT FILE ':4IVV:$TSOS.SYSMES.VM2000-MON.115',
          ACCESS=ISAM, ACTION=ADD
...
BLS0990 PROCESSING OF REP FILE ':4IVV:$TSOS.SYSREP.VM2000-MON.115' STARTED
...
HLV0001 VMHEL FILE ':4IVV:$TSOS.SYS.VMHEL.<date> <time>' OPENED
          WITH 'SPACE= 402' _____ (18)
VMS5541 *** VIRTUAL MACHINE SYSTEM VM2000 V11.5A READY *** _____ (19)
ESM0501 'VM2-MON /V11.5' COPYRIGHT (C)
          '2016',FUJITSU TECHNOLOGY SOLUTIONS GMBH. ALL RIGHTS RESERVED
ESM0400 'CREATE' OR 'RESUME' SUBSYSTEM 'VM2-MON /V11.5' WITH
          'SYNCHRONOUS=*YES' AND 'RESET=*NO' _____ (20)
VMS2023 CPU 01 OF VIRTUAL MACHINE (1,MONITOR) STARTED _____ (21)
VMS2023 CPU 02 OF VIRTUAL MACHINE (1,MONITOR) STARTED _____ (22)
VMS2037 NON-INTERRUPTIBLE WAIT STATE FOR VIRTUAL MACHINE (1,MONITOR),
          CODE 80FFFFFF, CPU 02
VMS2011 CPU 02 OF VIRTUAL MACHINE (1,MONITOR) STOPPED
NSI0000 *** S Y S T E M   R E A D Y *** _____ (23)
...

```

- (17) The message files of VM2000 are enabled.
- (18) The global VMHEL file is opened.
- (19) VM2000 is ready.
- (20) The VM2-MON subsystem has been loaded and is ready.
- (21) The second virtual CPU of the monitor VM was started by the monitor system.
- (22) The virtual spare CPU of the monitor VM was placed in operational status by the monitor system and then stopped again.
- (23) The system initialization of the monitor system is completed.

```

/dcs dcsof=sof.su390 _____ (24)
...
VMS1030 BCAM APPLICATION '$VMCONS' READY _____ (25)
...
VMS2330 STORAGE FOR VM DEFINITIONS ACCESSIBLE _____ (26)
...
/show-vm-resources information=*configuration _____ (27)
MAX NUMBER OF VMS                15
MAX NUMBER OF VM-GROUPS          8
MAX NUMBER OF CPU-POOLS          4
MAX NUMBER OF CPUS PER VM        4
TOTAL REAL MEMORY SIZE (MB)      15872
ASSIGNMENT SET   DEFAULT VALUE: *NONE
                  NEW DEVICES  : *NONE

CPU-ATTR      CPU-POOL      REAL CPUS
NORMAL        *STDPOOL      00(ATT),01(ATT),02(ATT),03(ATT)
EXTRA
SPARE
                04(DET)
VMS3000 VM2000 COMMAND /SHOW-VM-RESOURCES FOR VIRTUAL MACHINE ( ,*VM2000)
        PROCESSED SUCCESSFULLY
NBR0740 COMMAND COMPLETED 'SHOW-VM-RESOURCES';
        (RESULT: SC2=000, SC1=000, MC=CMD0001); DATE: <date>

```

- (24) The data communication system is started in the Server Unit.
- (25) \$VMCONS is started automatically.
- (26) The system disk for VM definitions is available.
- (27) Command of the VM2000 administrator for outputting the VM2000 configuration information, see [page 656](#).

```

/show-vm-resources information=*all _____ (28)
      CPU-POOL(P)
VM-ID      VM-GROUP(G) CPU-Q    MAX-U    PROC    MEM-SIZE  MAX-IO
 1 MONITOR *STDPOOL(P)  20.00   100.00  2(+1)      512   (100)

VM-ID      STATE                VERSION PER ADMIN PRIV
 1 MONITOR RUNNING                V11.0A  NO   NO   AS

F R E E    VM: 14                LARGEST-DOMAIN(MB): 15344

VM-ID      CPU-POOL  GR-CPU-Q  CPU-Q/  EFF-Q  MAX-U/  EFF-U  PROC
 1 MONITOR *STDPOOL                20.00/ 50.00 100.00/ 50.00 2(+1)

VM-ID      SCHED ACT-I  VIRT CPUS
 1 MONITOR DC      NO    00(RUN),01(RUN),02(OFF)

CPU-ATTR   CPU-POOL  REAL CPUS
NORMAL     *STDPOOL  00(ATT),01(ATT),02(ATT),03(ATT)
EXTRA      NONE
SPARE      04(DET)

VM-ID      VM-MONJV
          NO VM-MONJV ASSIGNED

VM-ID      UNITS
 1 MONITOR ASSIGNED BY VM-ADMIN
          EXCL:  C2,C3,C4,C5,9900,9901,9902,CC40,CC41,CC80,
                CC81,CD40,CD41,CD80,CD81,FC10,FC11,FC12 _____ (29)
          SHARED: 990F
DISPOSABLE UNASS:  CA(VC),CB(VC),CC(VC),CH,CI,CJ,CK,CL,CM,CN,CO,
                CS,CT,CO,C1,DH,DI,DJ,DK,DL,DM,DN,DO,DS,DT,N3,
                N4,N8,TA,TB,TF,TO,T1,T2,9903,9904,9905,9906,
                9907,9908,9909,990A,990B,990C,990D,990E,9910,
          ...
                CD9B,CD9C,CD9D,FC13,FC14,FC15,FC16,FC17,FC18,
                FC19,FC1A,FC1B,FC1C,FC1D,FC1E,FC1F
          SHARED: 990F
(Output continued on the next page)

```

(28) Command of the VM2000 administrator for outputting the status information on all VM2000 resources, see [page 646](#).

(29) In addition to the devices from the configuration file, VM1 is automatically explicitly assigned the devices of the home pubset when it is started, see [page 60](#).

```
VM-ID          PARTITION-ID ATTR  GS-SIZE  MODE  STATUS
              NO GS AVAILABLE
```

```
VM-ID          LOC-BEGIN  MEM-SIZE  MIN-MEM-S  MAX-MEM-S  DEST-MEM-S
HYPERVISOR     00000000          16
 1 MONITOR     00000010          512          512
NONE          00000210        15344
LARGEST FREE  DOMAIN:          15344
```

```
VM-ID          PRIV  DETAILS
1 MONITOR     AS
```

```
VMS3000 VM2000 COMMAND /SHOW-VM-RESOURCES FOR VIRTUAL MACHINE ( ,*VM2000)
        PROCESSED SUCCESSFULLY
```

```
NBR0740 COMMAND COMPLETED 'SHOW-VM-RESOURCES';
        (RESULT: SC2=000, SC1=000, MC=CMD0001); DATE: <date>
```


4.3 Terminating the monitor system and VM2000

Because of the technical implementation of VM2000 (see [page 29](#)), termination of the monitor system has different effects on VM2000 and the Server Unit:

- 390 On SU /390 the shutdown of the monitor system also terminates operation of VM2000 and the Server Unit.
- x86 On SU x86 VM2000 operation is terminated when the monitor system shuts down (the XenVMs are not affected by this). The firmware component of the monitor system continues to run after the latter has shut down until the Server Unit has been shut down.

The Server Unit also continues to operate after the monitor system has shut down; it can be shut down using the SE Manager.

A new IPL can then take place on all Server Units.

Termination on SU /390

VM2000 and Server Unit operation are shut down on SU /390 in different ways:

- Using the VM2000 command `/SHUTDOWN-VM VM-ID=*VM2000(...)`. This is the recommended way to shut down VM2000, see [page 83](#) (coordinated shutdown of all guest systems and of the monitor system without restart).
- Using the BS2000 command `/SHUTDOWN` in the monitor system (see [page 86](#)) or by means of the action *BS2000 Shutdown* for the monitor VM in the SE Manager. As the guest systems are not shut down under VM2000 coordination here, the operator must take precautions to ensure correct system shutdown in the monitor system.

Termination on SU x86

There are two reasons for regular termination of VM2000 operation on SU x86:

- The Server Unit is to be shut down.
Shutdown of the server unit is initiated via the SE manager, see the manual “Operation and Administration” [19]. Time-driven startup and shutdown of the Server Unit can also be configured via the SE manager.

Every BS2000 guest system then receives a signal and shuts itself down, i.e. the shutdown action which is specified in the system parameter `SHUTPROC` of the guest system is initiated (default value: “immediate shutdown without a restart”). When all BS2000 guest systems have been shut down or when half of the remaining runtime which is set has elapsed, the shutdown is initiated in the monitor system, i.e. the shutdown action defined there is executed. Alternatively, a coordinated shutdown of VM2000 can be executed beforehand, see [page 83](#).

Finally carrier system operation is terminated and the Server Unit is switched off.

- The operating mode “Native operation” is to be switched to (see [page 68](#)).
In this case VM2000 operation must first be terminated (preferably by means of a coordinated shutdown of VM2000, see [page 83](#)). Only then can the operating mode be changed.

VM2000 operation is also terminated using the BS2000 command `/SHUTDOWN` in the monitor system (see [page 86](#)) or by the action *BS2000 Shutdown* for the monitor VM in the SE Manager. As the shutdown of the guest systems is not coordinated by VM2000 here, the operator must specify measures in the monitor system to ensure that VM2000 operation terminates correctly.

4.3.1 Coordinated shutdown of VM2000

The coordinated shutdown of VM2000 initially executes shutdown in all BS2000 guest systems. System shutdown can be initiated there by means of an enter job or by calling shutdown processing (similar to the BS2000 command /SHUTDOWN). The monitor system waits for system termination in the BS2000 guest systems. When all the BS2000 guest systems have been shut down or the wait time set has elapsed, the monitor system shuts itself down. All VMs are also terminated. A detailed description of coordinated shutdown is contained in the [section “Shutdown in the guest system and of VM2000” on page 168](#).

An example of a coordinated shutdown is provided on the next page.

In the case of coordinated shutdown, the following actions are performed by VM2000 when the monitor system is shut down:

- /DELETE-VM for all VMs which are still initialized, irrespective of the current system state (CHECK-VM-STATE=*NO)
- Accounting for the monitor VM
- Detaching of the attached extra CPUs
- **390**
On SU /390 all persistent VM definitions are updated by VM2000. The non-persistent VM definitions are deleted. These also include the VM definition of the monitor VM. For this action BCAM must still be active in the monitor system. Consequently, when the combined shutdown of VM2000 takes place (see the example on [page 84](#)) the ACTION=*SHUTDOWN(QUIET-TIME=0) operand should be selected.
- **x86**
VM definitions of X2000 are administered on SU x86. No action by VM2000 when shutdown takes place.

Example of coordinated shutdown of VM2000

```

/show-vm-resources information=*std _____ (1)
      CPU-POOL(P)
VM-ID      VM-GROUP(G) CPU-Q    MAX-U  PROC   MEM-SIZE  MAX-IO
 1 MONITOR  *STDPOOL(P)  30.00  100.00  2(+1)    512  (100)
 2 SYSTEM2  *STDPOOL(P)  30.00  100.00  2(+1)    256  (100)
 3 SYSTEM3  *STDPOOL(P)  30.00  100.00  2(+1)    256  (100)

VM-ID      STATE          VERSION PER ADMIN PRIV
 1 MONITOR  RUNNING          V11.0A NO  YES  AS
 2 SYSTEM2  RUNNING          V10.0A NO  NO   AS
 3 SYSTEM3  RUNNING          V10.0A NO  NO   AS

F R E E      VM: 12          LARGEST-DOMAIN(MB): 14832

/shutdown-vm vm-id=*vm2000(waiting-time=*unlimited),
              action=*shutdown(quiet-time=0) _____ (2)
VMS2054 SHUTDOWN OF GUEST SYSTEM ON VM (2,SYSTEM2) INITIATED
VMS2054 SHUTDOWN OF GUEST SYSTEM ON VM (3,SYSTEM3) INITIATED
VMS2100 VM2000 SHUTDOWN INITIATED
***
*** Guest system operating of SYSTEM2 and SYSTEM3:
*** ...
*** NRT1201 SHUTDOWN REQUESTED BY 'VM2000' _____ (3)
*** ...
*** EXC0557 SHUTDOWN PROCESSING COMPLETED
***

```

- (1) The command shows the initial situation for this example:
In addition to the monitor system, two further VMs with a BS2000 guest system execute. The monitor VM is operated via the ADMIN dialog displayed.
- (2) The VM2000 administrator initiates the coordinated shutdown of VM2000. The monitor system would wait for an unlimited time for the guest systems to shut down.
- (3) The shutdown (MODE=*END) is initiated in the guest system. The message NRT1201 is output by the shutdown processing in the guest system.

```

% VMS2037 NON-INTERRUPTIBLE WAIT STATE FOR VIRTUAL MACHINE (3,SYSTEM3),
      CODE 80FFFFFF, CPU 01
% VMS2033 'EXC0557 SHUTDOWN PROCESSING COMPLETED' FROM VM (3,SYSTEM3)
      VIA SVP
% VMS2051 GUEST SYSTEM ON VM (3,SYSTEM3) DOWN; REASON: SHUTDOWN
% VMS2037 NON-INTERRUPTIBLE WAIT STATE FOR VIRTUAL MACHINE (3,SYSTEM3),
      CODE 80FFFFFF, CPU 00
% VMS2037 NON-INTERRUPTIBLE WAIT STATE FOR VIRTUAL MACHINE (2,SYSTEM2),
      CODE 80FFFFFF, CPU 01
% VMS2033 'EXC0557 SHUTDOWN PROCESSING COMPLETED' FROM VM (2,SYSTEM2)
      VIA SVP
% VMS2051 GUEST SYSTEM ON VM (2,SYSTEM2) DOWN; REASON: SHUTDOWN (4)
% VMS2037 NON-INTERRUPTIBLE WAIT STATE FOR VIRTUAL MACHINE (2,SYSTEM2),
      CODE 80FFFFFF, CPU 00

***
*** Guest system operating in the monitor system:
*** ...
*** NRT1201 SHUTDOWN REQUESTED BY 'VM2000' (5)
*** ...
*** EXC0557 SHUTDOWN PROCESSING COMPLETED
*** VMS0000 MONITOR SYSTEM TERMINATED. VM2000 TERMINATION
***

NRTT201 TASK TERMINATION DUE TO /SHUTDOWN COMMAND (6)
EXC0419 /LOGOFF AT 1137 ON <date> FOR TSN 'OGLI'
EXC0421 CPU TIME USED: 9.2026

```

- (4) Guest systems SYSTEM2 and SYSTEM3 have been shut down. The VM2000 administrator is informed of this. Asynchronous messages are marked with %.
- (5) After all guest systems have been terminated, the shutdown is initiated in the monitor system (MODE=*END). The message NRT1201 is output by the shutdown processing in the monitor system.
- (6) When the monitor system is shut down, the ADMIN dialog is also terminated.

4.3.2 Shutdown in the monitor system

VM2000 operation is also terminated when the monitor system is shut down using the BS2000 command `/SHUTDOWN` (see the “Introduction to System Administration” [2]) or by the action *BS2000 Shutdown* for the monitor system in the SE manager.

Before the monitor system is terminated, the operator should terminate each guest system by means of `/SHUTDOWN`. The operator in the monitor system must use the VM2000 command `/SHOW-VM-RESOURCES` to check if only the monitor system is actually still active.

At `/SHUTDOWN` of the monitor system with `MODE=*END` the following actions are also executed by VM2000:

- `/DELETE-VM` for all VMs which are still initialized, irrespective of the current system state (`CHECK-VM-STATE=*NO`)
- Accounting for the monitor VM
- Detaching of the attached extra CPUs
- [390] On SU /390 all persistent VM definitions are updated by VM2000. The non-persistent VM definitions are deleted. These also include the VM definition of the monitor VM.

For this action BCAM must still be operable in the monitor system. On SU /390 use of the `/SHUTDOWN MODE=*QUIET` or `/BCEND` command should therefore be avoided in the monitor system when shutting down VM2000.

- [x86] VM definitions of X2000 are administered on SU x86. No action by VM2000 when shutdown takes place.

In the case of `/SHUTDOWN` of the monitor system with `MODE=*END(RESTART=*YES(. . .))` or `MODE=*END,MESSAGE=C'*RESTART'` (with restart option), the guest systems and, on SU /390, the VM2000 hypervisor remain active. The monitor system is reloaded. VM2000 performs the accounting for the monitor VM before the monitor system is restarted.

The guest systems are informed of the restart of the monitor system. Message NRTV002 (“Monitor system not ready. Restart has been initiated”) is output on the guest system BS2000 console. When the monitor system reaches `SYSTEM READY` again, message NRTV003 (“Monitor system ready again”).



In the case of `/SHUTDOWN` with restart the monitor system must be readied for automatic restart (see the “Introduction to System Administration” [2]).

In the event of an error (abnormal termination of the monitor system without a restart), VM2000 operation can be terminated by shutting down all the guest systems with `/SHUTDOWN` or by the action *BS2000 Shutdown* in the SE manager.

4.4 Loading, operating and terminating guest systems

Note on the initialization of guest systems

- Loading (IPL) for a guest system is executed (after the VM has been configured) by means of the VM2000 command `/START-VM` or in the SE Manager (VM selected) in the *Operation* tab by the action *BS2000 IPL* (see [page 154](#)).

x86 On SU x86 the guest system can also be loaded using the SVP functions of the KVP console which is assigned to the VM (see the manual “Operation and Administration” [19]).

Notes on the operation of BS2000 guest systems

- The operation of the guest system on a VM (operating) normally takes place via KVP consoles (see [page 102](#)).

When BCAM is active in the guest system, logical consoles (e.g. via OMNIS) can be used with differentiated privileges for system operation in guest systems (see the “OMNIS/OMNIS-MENU” manual [12]).

A guest system can also be operated using \$VMCONS (see [page 114](#)).

If the dialog system is ready for operation, operator commands can also be executed by user tasks with the OPERATING privilege.

- See [page 420](#) on local measurements in the guest system.

Notes on the termination of BS2000 guest systems

- The guest system is shut down using the VM2000 command `/SHUTDOWN-VM` (see [page 676](#)). As in native operation, it can also be shut down using the BS2000 command `/SHUTDOWN` (see the “Introduction to System Administration” [2]).

BS2000 shutdown for a guest system can also be initiated using the SE Manager, VM selected, *Operation* tab, *BS2000 Shutdown* action.

- By means of the VM2000 command `/DELETE-VM . . . ,CHECK-VM-STATE=*NO` or `/SHUTDOWN` of the monitor system, the guest system is stopped regardless of the current state of the system. Files of the guest system may therefore be in an inconsistent state unless the guest system is terminated beforehand with `/SHUTDOWN`.

Information on status changes

The following status changes in the BS2000 guest system are indicated to the VM administrator by means of a VM2000 message:

- The guest system is ready for operation (VMS2050).
- The guest system has been terminated with `/SHUTDOWN` or has failed with `SETS` (VMS2051).
- The guest system is not ready for operation (`/SHUTDOWN` or `SETS`); a restart has been initialized (VMS2052).
- The active guest system was aborted with `/RESET-VM` or with `/START-VM . . . ,CHECK-VM-STATE=*NO` and restarted (VMS2051).

These messages are also distributed in the monitor system by means of routing code "9".

5 Operating VM2000 and the virtual machines (VMs)

This chapter describes the operating strategy and the operating functions of VM2000. The operating functions are realized by the VM2000 commands.

A detailed description of the syntax of the VM2000 commands and a description of the operands are given in [chapter “VM2000 commands” on page 423](#).

User interfaces

There are two user interfaces for operating VM2000 and the virtual machine:

- The full VM2000 functionality is available to the VM2000 and VM administrators via the user interface of VM2000 (which is described in this chapter). The VM2000 commands operate and manage the VMs with a BS2000 guest system, but not the XenVMs (SU x86).
- Fundamental VM2000 functions are also available to the SE server administrators via the SE Manager, see [section “VM2000 functions in the SE Manager” on page 236](#).

5.1 VM2000 Operating strategy

The VM2000 operating strategy describes

- the three operating levels of VM2000:
 - Operating the whole VM2000 system
 - operating a virtual machine
 - operating the guest system on a virtual machine
- operation of the virtual machines from a privileged user task
- the [Operating the guest systems using BS2000 consoles](#)
- the VM2000 administration application \$VMCONS:
 - establishing the connection to \$VMCONS
 - operating the virtual machines via \$VMCONS
 - operating the guest systems via \$VMCONS
- the options for automating VM2000 administration

5.1.1 Operating levels of VM2000

VM2000 has three operating levels. The [figure 6 on page 92](#) provides an overview of these.

Operating level whole VM2000 system (VM2000 administration)

The VM2000 system as a whole is operated by the VM2000 administrator. This is the privileged administrator who is permitted to enter all VM2000 commands (see [page 228](#)). The VM2000 administrator is also the VM administrator for the monitor VM.

The VM2000 administrator operates the VM2000 system and manages the resources of VM2000 in the administration dialog with the monitor VM, see [page 91](#)).

The whole VM2000 system can also be operated from a privileged user task in the monitor system (see [page 91](#)) or (e.g. when BCAM is not active in the monitor system) via BS2000 consoles in the monitor system (see [page 102](#)).

Operating level Virtual Machine (VM administration)

The VM administrator operates a VM. The VM administrator is only permitted to enter VM administrator commands that affect that particular VM.

The VM administrator operates his or her VM in the administration dialog (see below).

The VM2000 administrator can also operate all of the VMs.

Administration dialog (known for short as the ADMIN dialog)

The dialog for operating the whole VM2000 system or for operating a single VM is referred to below as an **administration dialog (ADMIN dialog for short)**.



Recommendation

The ADMIN dialog is normally conducted from a privileged user task in the monitor system (see [page 93](#)).

The ADMIN dialog can also be conducted by means of the \$VMCONS administration application that runs in the monitor system (see [page 107](#) and [page 112](#)). The connection to \$VMCONS is established by means of an appropriate DCAM application. OMNIS will usually be used for access from a terminal.

Operating level guest system on a VM (operating)

The guest system is normally controlled by the operator of the guest system by means of BS2000 consoles in the guest system (see [page 102](#)). See also the section entitled “Functions of the operator” in the “Introduction to System Administration” [2].

Operating from a privileged user task

If the dialog system is ready for operation, operator commands can also be executed parallel to the BS2000 consoles by user tasks with the OPERATING privilege.

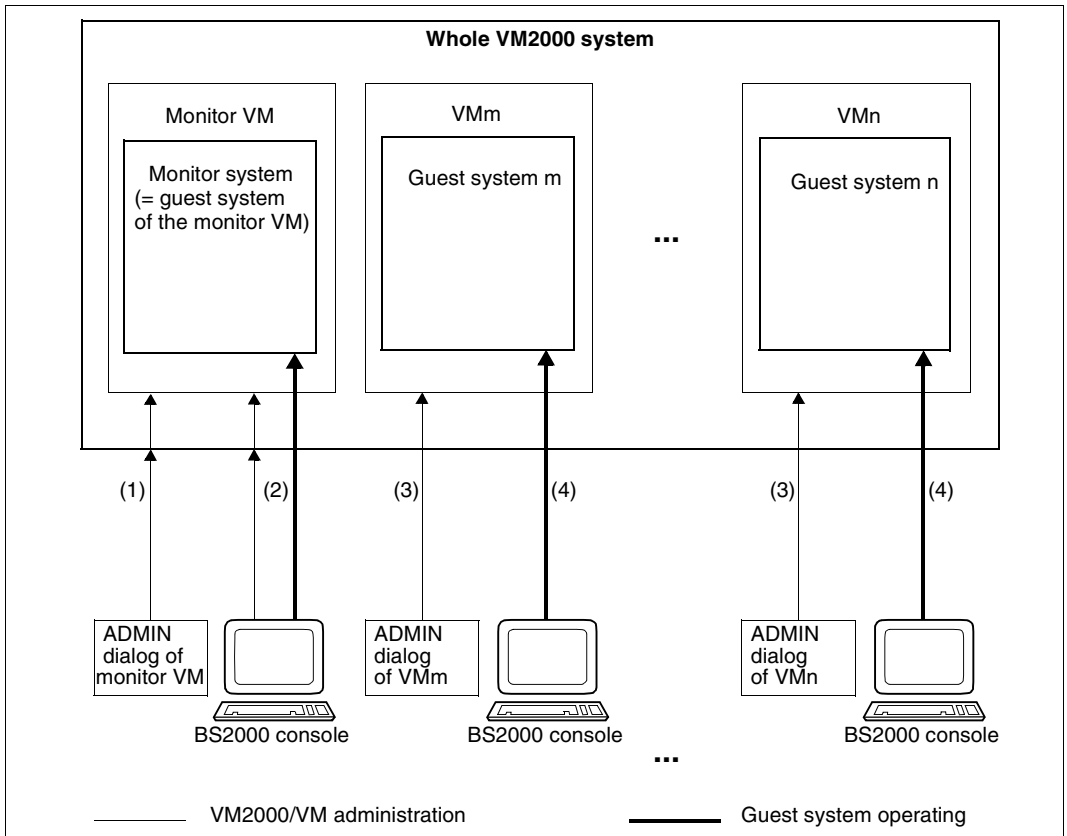


Figure 6: Operating strategy of VM2000 (recommendation)

- (1) All VM2000 commands can be entered via the ADMIN dialog of the monitor VM. The ADMIN dialog is conducted from a privileged user task in the monitor system.
- (2) The BS2000 operator commands for the monitor system and all VM2000 commands can be entered using BS2000 consoles in the monitor system.
- (3) The VM administrator commands for operating the associated VM can be entered via the ADMIN dialog of a VM. The ADMIN dialog is conducted from a privileged user task in the monitor system.
- (4) The operator operates the associated guest system on the VM using BS2000 consoles in the guest system.

5.1.2 Operating the virtual machines (ADMIN dialog from user task)

ADMIN dialogs can be conducted via privileged user tasks in the monitor system or via the administration application \$VMCONS which runs under the monitor system. An ADMIN dialog from a privileged user task offers the following advantages:

- Mixing of BS2000 and VM2000 commands
- Use of the full SDF functionality
- Automation of operations through S and non-S procedures



The VM2000 command `/CALL-VM-PROCEDURE` is not available in a user task.

- Storage of the procedure files under the user's own ID
- Use of output in structured S variables (S-variable streams) (SHOW outputs, command return codes and guaranteed messages)
- Receiving the asynchronous messages for the relevant administrator with the help of the event stream service (ESS)

5.1.2.1 Privileges of the user task in the monitor system

The privilege concept of SRPM increases security for system administration and simplifies task delimitation in the data center (see the "SECOS" manual [11]).

VIRTUAL-MACHINE-ADMINISTRATION privilege

A user task with the system-global privilege VIRTUAL-MACHINE-ADMINISTRATION is allowed to execute a subset of the VM2000 commands and thus to operate a virtual machine as the VM administrator.

The commands for the VM administrator and their demarcation from the VM2000 administrator commands are described in [section "Types of command" on page 228](#).

When the product is shipped, the privilege is assigned to the user ID TSOS. If SECOS is used, the security representative can assign the privilege to any other user ID (except his/her own).

VM2000-ADMINISTRATION privilege

A user task with the system-global privilege VM2000-ADMINISTRATION is allowed to execute all VM2000 commands and thus to operate the whole VM2000 system and all virtual machines as a VM2000 administrator.

The types of commands and their privileged functions are described in [section "Types of command" on page 228](#).

When the product is shipped, the privilege is assigned to the user ID TSOS. If SECOS is used, the security representative can assign the privilege to any other user ID (except his/her own).

OPERATING privilege

A user task with the system-global privilege OPERATING is allowed to execute all operator commands. In particular, it can also execute all VM2000 commands and thus operate the whole VM2000 system and all virtual machines as a VM2000 administrator.

When the product is shipped, the privilege is assigned to the user ID SYSOPR. If SECOS is used, the security representative can assign the privilege to any other user ID (except his/her own).

5.1.2.2 Administration dialogs from privileged user tasks

Operating a VM in the administration dialog (ADMIN dialog) from a privileged user task involves the following steps:

- ▶ Begin the BS2000 dialog under a user task with the appropriate privilege in the monitor system: `/SET-LOGON-PARAMETERS . . .`
- ▶ Open the ADMIN dialog using the VM2000 command

```
/BEGIN-VM-DIALOG VM-IDENTIFICATION=... ,PASSWORD=... ,TYPE=*STD/*ADMIN(...)
```

For the ADMIN dialog with the monitor VM, the VM2000-ADMINISTRATION privilege or the OPERATING privilege is required. If access to the VM is protected by a password, this must be specified when the dialog is opened.

After a successful `/BEGIN-VM-DIALOG`, the VM2000 administrator is informed of the task sequence number (TSN) of this ADMIN dialog (message VMS1013). The exchange of messages in the ADMIN dialog is also logged under this TSN in the CONSLOG file of the monitor system.

- ▶ Enter VM2000 commands to operate the VM (see [page 133](#) and [page 423](#)) or the VM2000 system as a whole (see [page 227](#) and [page 423](#)). BS2000 commands can also be entered.
- ▶ Terminate the ADMIN dialog with one of the VM2000 commands

```
/END-VM-DIALOG VM-IDENTIFICATION=...
/DELETE-VM VM-IDENTIFICATION=...
```

If `/DELETE-VM` is specified, VM2000 terminates all ADMIN dialogs with the VM and all VC dialogs with the guest system on the VM.



Under **one** user task, only **one** ADMIN dialog can be conducted at a time. For each VM up to 15 ADMIN dialogs from **different** user tasks can be conducted at the same time. Also, for each VM one ADMIN dialog can be conducted via \$VMCONS.

Logging

The VM2000 commands, outputs and messages for operating VM2000 and the VMs are logged in the CONSLOG file of the monitor system (see the “Introduction to System Administration” [2]).

The command inputs and message outputs belonging to an ADMIN dialog via a user task can be determined from the TSN, which is stored in the sender/recipient field of the CONSLOG entry. The VM2000 administrator is informed of the TSN at /BEGIN-VM-DIALOG via the message VMS1013.

In addition, the progress of the user task can be logged in the usual way to SYSLST (/SET-LOGON-PARAMETERS . . . , LOGGING=*PAR(LISTING=*YES)).

Using the event stream service (ESS)

The event stream of VM2000 is the system-dependent, asynchronous part of the data stream of a VM2000 or VM administrator dialog. It includes the periodic outputs of /SHOW-VM-STATUS and the asynchronous messages from VM2000, to which the administrator may have to respond.

The following **asynchronous messages** of VM2000 are normally received in the user event stream allocated to the privileged user task.

VMS0017	VMS0025	VMS0026	VMS0027	VMS1012	VMS1013	VMS1016	VMS1032
VMS1033	VMS1051	VMS1531	VMS1601	VMS1602	VMS2011	VMS2012	VMS2014
VMS2016	VMS2021	VMS2023	VMS2033	VMS2036	VMS2037	VMS2050	VMS2051
VMS2052	VMS2053	VMS2059	VMS2320	VMS2411-VMS2422	VMS2424	VMS2425	
	VMS2430-VMS2434	VMS2440	VMS2441	VMS2450-VMS2452	VMS4910	VMS4912	
VMS4005	VMS4009	VMS4065	VMS4066	VMS4094	VMS4095	VMS4191	VMS4192
VMS4224	VMS4227	VMS4244	VMS4245	VMS4342	VMS4344	VMS4510	VMS4511
VMS4514	VMS4551	VMS4552	VMS4553	VMS4554	VMS4555	VMS4556	VMS4557
VMS4558	VMS4559	VMS4560	VMS4561	VMS4562	VMS4563	VMS4564	VMS4620
VMS4621	VMS6002	VMS6003	VMS6018	VMS6020	VMS6021	VMS6023	VMS6094

With administration under a privileged user ID, you can receive the asynchronous messages for the relevant administrator with the help of the event stream service (ESS) and you can use the presentation functions of ESS.

The operating functions of ESS are also available if you have the OPERATING privilege. The ESS presentation functions are shown in the command description of /SHOW-SYSEVENT-LOG.



Recommendation

Use the event stream service to receive the event stream of VM2000. For examples of the structure, see the “Introduction to System Administration” [2], chapter “Operator functions”.

If you do not use the event stream service, the asynchronous messages will be output to SYSOUT at the next non-empty user input.

Even if you use the event stream service, (additional) output to SYSOUT is enabled (default). Output to SYSOUT can be suppressed by means of the task-specific command /MODIFY-MSG-OPTIONS SYSTEM-MSG=*NO.

5.1.2.3 Example of an ADMIN dialog from a user task

This example shows the interplay of BS2000 and VM2000 commands from a privileged user task on an SU /390.

```

./vm2adm set-logon-parameters user-id=tsos,logging=*par(listing=*yes) - (1)
/assign-syslst to=list.vm2adm _____ (2)
/begin-vm-dialog vm-id=1,password='moni' _____ (3)
/assign-sysevent to=*user-log _____ (4)
NBR3100 EVENT STREAM 'OCM4' WITH TSN 'OCM5' ASSIGNED TO USER TASK 'OCM4'
/modify-msg-options system-msg=*no _____ (5)
/show-vm-resources information=*std _____ (6)
      CPU-POOL(P)
VM-ID      VM-GROUP(G) CPU-Q    MAX-U  PROC    MEM-SIZE  MAX-IO
 1 MONITOR  *STDPPOOL(P) 20.00  100.00 2(+1)    512    (100)

VM-ID      STATE          VERSION PER ADMIN PRIV
 1 MONITOR  RUNNING          V11.0A NO  YES  AG,AS

F R E E      VM: 14          LARGEST-DOMAIN(MB): 15344
/create-vm memory-size=512,vm-name=system2,cpu-quota=30,
      processor=*mono,vm-index=2,password=c'sys2' _____ (7)
VMS3050 VIRTUAL MACHINE (2,SYSTEM2) CREATED
VMS4615 VIRTUAL MACHINE (2,SYSTEM2) ASSIGNED TO CPU POOL '*STDPPOOL'
/add-vm-devices units=990f,vm-id=system2,type=*sd _____ (8)
VMS4005 DEVICE '990F' ASSIGNED TO VIRTUAL MACHINE (2,SYSTEM2) (TYPE=SD)

```

- (1) Login under a privileged user ID in the monitor system (VM2000-ADMINISTRATION privilege). The process is to be logged.
- (2) A BS2000 command is entered to control the logging.
- (3) Login as VM2000 administrator by opening an ADMIN dialog with the monitor VM.
- (4) This BS2000 command assigns the user task a user event stream. Asynchronous messages from VM2000 to the VM2000 administrator are logged as of this point in the assigned user event stream.
- (5) The asynchronous messages are only to appear in the user event stream; they are not to be output additionally to SYSOUT.
- (6) The VM2000 administrator requests the status of VM2000.
- (7) A mono-VM is initialized by the VM2000 administrator. The VM receives the VM name SYSTEM2. The password SYS2 is defined for administration.
- (8) The VM2000 administrator assigns VM2 a disk device for shared use with other VMs.

```

/add-vm-dev units=(ch,ci),vm-id=system2 _____ (9)
VMS4005 DEVICE 'CH' ASSIGNED TO VIRTUAL MACHINE (2,SYSTEM2)
VMS4005 DEVICE 'CI' ASSIGNED TO VIRTUAL MACHINE (2,SYSTEM2)
/add-vm-devices vm-id=system2,
  units=*pubset-devices(pubset=*by-pubres-device(unit=fc1a)) _____ (10)
VMS4005 DEVICE 'FC1A' ASSIGNED TO VIRTUAL MACHINE (2,SYSTEM2)
VMS4005 DEVICE 'FC1B' ASSIGNED TO VIRTUAL MACHINE (2,SYSTEM2)
VMS4220 PUBSET '4IVK' WITH PUBRES DEVICE 'FC1A' ASSIGNED TO VM (2,SYSTEM2)
/start-vm ipl-unit=fc1a,information-byte=*fast,vm-id=system2 _____ (11)
/show-vm-attributes information=*all,vm-id=system2 _____ (12)
      CPU-POOL(P)
VM-ID      VM-GROUP(G)  CPU-Q    MAX-U   PROC    MEM-SIZE  MAX-I/O
  2 SYSTEM2  *STDPOOL(P)  30.00   100.00  1(+1)      512   (100)

VM-ID      STATE                VERSION PER ADMIN PRIV _____ (13)
  2 SYSTEM2  RUNNING                          NO  NO   AS

VM-ID      CPU-POOL  GR-CPU-Q  CPU-Q/  EFF-Q  MAX-U/  EFF-U  PROC
  2 SYSTEM2  *STDPOOL          30.00/  25.00  100.00/ 25.00  1(+1)

VM-ID      SCHED ACT-I  VIRT CPUS _____ (14)
  2 SYSTEM2  DC    NO    00(RUN),01(OFF)

VM-ID      VM-MONJV _____ (15)
  2 SYSTEM2  NO VM-MONJV ASSIGNED

```

(Output continued on the next page)

- (9) The VM2000 administrator assigns VM2 a KVP console device pair.
- (10) The VM2000 administrator assigns VM2 the disk device(s) of the home pubset by specifying the pubres device. The pubset is detected by VM2000.
- (11) The VM2000 administrator starts the guest system on VM2. The pubres device of the home pubset is selected as the IPL unit. A fast startup is to be executed. Operation of the guest system is carried out on a BS2000 console of the guest system.
- (12) The VM2000 administrator requests the attributes and status of VM2.
- (13) The attributes of the VM2 is output. The VM is running; a VM administrator is not connected. The BS2000 version in the guest system is (still) unknown.
- (14) The virtual CPU 00 of VM2 is running (fixed CPU assignment to a real CPU). The virtual spare CPU 01 is not ready (offline). Later it will be placed in a ready status (SLEEP) by the mono-guest system.
- (15) No MONJV is assigned to the VM.

```

VM-ID          UNITS
 2 SYSTEM2    ASSIGNED BY VM-ADMIN _____ (16)
                EXCL:  CH,CI,FC1A,FC1B
                SHARED: 990F

```

```

VM-ID          PARTITION-ID ATTR    GS-SIZE  MODE  STATUS
 2 SYSTEM2    NO GS AVAILABLE

```

```

VM-ID          LOC-BEGIN  MEM-SIZE  MIN-MEM-S  MAX-MEM-S  DEST-MEM-S
 2 SYSTEM2    00000210      512        512  _____ (17)

```

```

VM-ID          PRIV    DETAILS
 2 SYSTEM2    AS _____ (18)

```

/show-vm-attributes information=*std,vm-id=system2

```

CPU-POOL(P)
VM-ID          VM-GROUP(G) CPU-Q    MAX-U  PROC    MEM-SIZE  MAX-IO
 2 SYSTEM2    *STDPOOL(P) 30.00  100.00 1(+1)      512  (100)

```

```

VM-ID          STATE          VERSION PER ADMIN PRIV
 2 SYSTEM2    RUNNING          V10.0A NO  NO  AS _____ (19)

```

/shutdown-vm vm-id=system2,action=*shutdown(quiet-time=0) _____ (20)
VMS2054 SHUTDOWN OF GUEST SYSTEM ON VM (2,SYSTEM2) INITIATED

- (16) List of the mnemonic device names that are explicitly assigned to the VM2. EXCL: indicates the devices that are assigned for exclusive use. SHARED: indicates the devices that are assigned for shared use with other VMs.
- (17) The main memory size and the location of the VM in the VM2000 main memory are output.
- (18) The VM has the (default) privilege AUTO-SNAP-ASSIGNMENT.
- (19) The guest system on VM2 has now reached SYSTEM READY. VM2000 recognizes the version of the BS2000 guest system.
- (20) The VM2000 administrator initiates the shutdown for the guest system on VM2 without a QUIET time.

```
/show-vm-attributes information=*std,vm-id=system2
```

```

CPU-POOL(P)
VM-ID      VM-GROUP(G)  CPU-Q    MAX-U    PROC    MEM-SIZE  MAX-IO
  2 SYSTEM2 *STDPOOL(P) 30.00   100.00  1(+1)      512   (100)

VM-ID      STATE          VERSION PER ADMIN PRIV
  2 SYSTEM2 DOWN          V10.0A NO  NO   AS _____ (21)

```

```
/delete-vm vm-id=system2 _____ (22)
```

```

VMS4009 DEVICE 'CH' REMOVED FROM VIRTUAL MACHINE (2,SYSTEM2)
VMS4009 DEVICE 'CI' REMOVED FROM VIRTUAL MACHINE (2,SYSTEM2)
VMS4009 DEVICE '990F' REMOVED FROM VIRTUAL MACHINE (2,SYSTEM2)
VMS4009 DEVICE 'FC1A' REMOVED FROM VIRTUAL MACHINE (2,SYSTEM2)
VMS4009 DEVICE 'FC1B' REMOVED FROM VIRTUAL MACHINE (2,SYSTEM2)
VMS4619 VIRTUAL MACHINE (2,SYSTEM2) REMOVED FROM CPU POOL '*STDPOOL'
VMS4024 VIRTUAL MACHINE (2,SYSTEM2) TERMINATED

```

```
/show-sysevent-log _____ (23)
```

```

File Edit View Help
-----
EVENT STREAM SERVICE
Log-Id: OBMU      User-Id: TSOS      Owner-TSN: OBMU      Mode: Static
-----
Date: <date>      Time: <time>
Lines 1 thru 6 of 6
More:
% VMS2050 GUEST SYSTEM ON VM (2,SYSTEM2) READY
% VMS2033 'EXC0557 SHUTDOWN PROCESSING COMPLETED' FROM VM (2,SYSTEM2) VIA SVP
% VMS2051 GUEST SYSTEM ON VM (2,SYSTEM2) DOWN; REASON: SHUTDOWN
% VMS2037 NON-INTERRUPTIBLE WAIT STATE FOR VIRTUAL MACHINE (2,SYSTEM2), CODE
(80FFFFFF), CPU 00
          * * * End of actual presentation range * * *

Command ==>
F1=Help F3=Exit F6=Dynamic F7=Backward F8=Forward F10=Menu F11=Index ...

```

- (21) After shutdown, VM2 is in the DOWN state.
- (22) VM2 is terminated by the VM2000 administrator.
- (23) The presentation function of the event stream service (ESS) is called. The asynchronous messages which have arrived for the VM2000 administrator are displayed.

```
/end-vm-dialog _____ (24)  
/assign-sysevent to=*dummy _____ (25)  
/assign-syslst to=*primary  
/print-document from-file=list.vm2adm _____ (26)  
/logoff system-output=*delete _____ (27)
```

- (24) The VM2000 administrator terminates his/her ADMIN dialog with the monitor VM.
- (25) The assignment of the user event stream to the user task is canceled.
- (26) The SYSLST assignment is canceled and the session log is printed out.
- (27) The user task is terminated and the output of SYSLST is suppressed.

5.1.3 Operating the guest systems using BS2000 consoles

In this manual the term **BS2000 console** is used when operating the monitor system or another guest system via an emulated console screen is meant.

Where necessary, BS2000 consoles are subdivided into:

- KVP consoles (see [page 104](#))

The operator obtains access to the operator functions of a guest system through the emulation of a console screen on the SE Manager by the KVP (console distribution program).

KVP consoles can be used in VM2000 operation:

- for IPL, startup and operating in the monitor system and in the other guest systems
- to operate the VM2000 system as a whole, e.g. when BCAM is not active in the monitor system

- Logical consoles (see [page 106](#))

Logical consoles can be used in VM2000 operation:

- for operation in the monitor system and in the other guest systems when BCAM is active in the system concerned
- to operate the VM2000 system as a whole, when BCAM is active in the monitor system



You are recommended to operate the guest systems using KVP consoles or logical consoles.

Authorization code “9” is required for operating the whole VM2000 system via a BS2000 console of the monitor system.

All VM2000 commands have the authorization code “9”.

All VM2000 messages have the routing code “9”.

Only VM2000 commands can be entered and only VM2000 messages can be received on a BS2000 console that **only** has the authorization code “9”. A BS2000 console like this is therefore on a par with the administration dialog of the VM2000 administrator.

- VC dialog via \$VMCONS (see [page 114](#))
This operating method is **no longer** recommended.

Virtual consoles can be used in VM2000 operation:

- for operation in the guest systems when BCAM is active in the monitor system, but not for the monitor system.

Operating guest systems via KVP consoles or logical consoles offers the following advantages compared to operating in a VC dialog:

- Direct communication with the guest system
- Guest system operation even if the data communication system is not available in the monitor system (e.g. in the case of an automatic restart of the monitor system).
- Uniform operation of the guest systems and the monitor system.

5.1.3.1 Operating the guest systems using KVP consoles

Guest system operation with KVP consoles is controlled by console distribution programs (KVPs). KVP devices are configured on SU x86 or directly on the MU (for SU /390) using the SE Manager when the system is installed and during VM2000 installation, see the “Operation and Administration” manual [19]. The console screens are integrated into the SE manager.

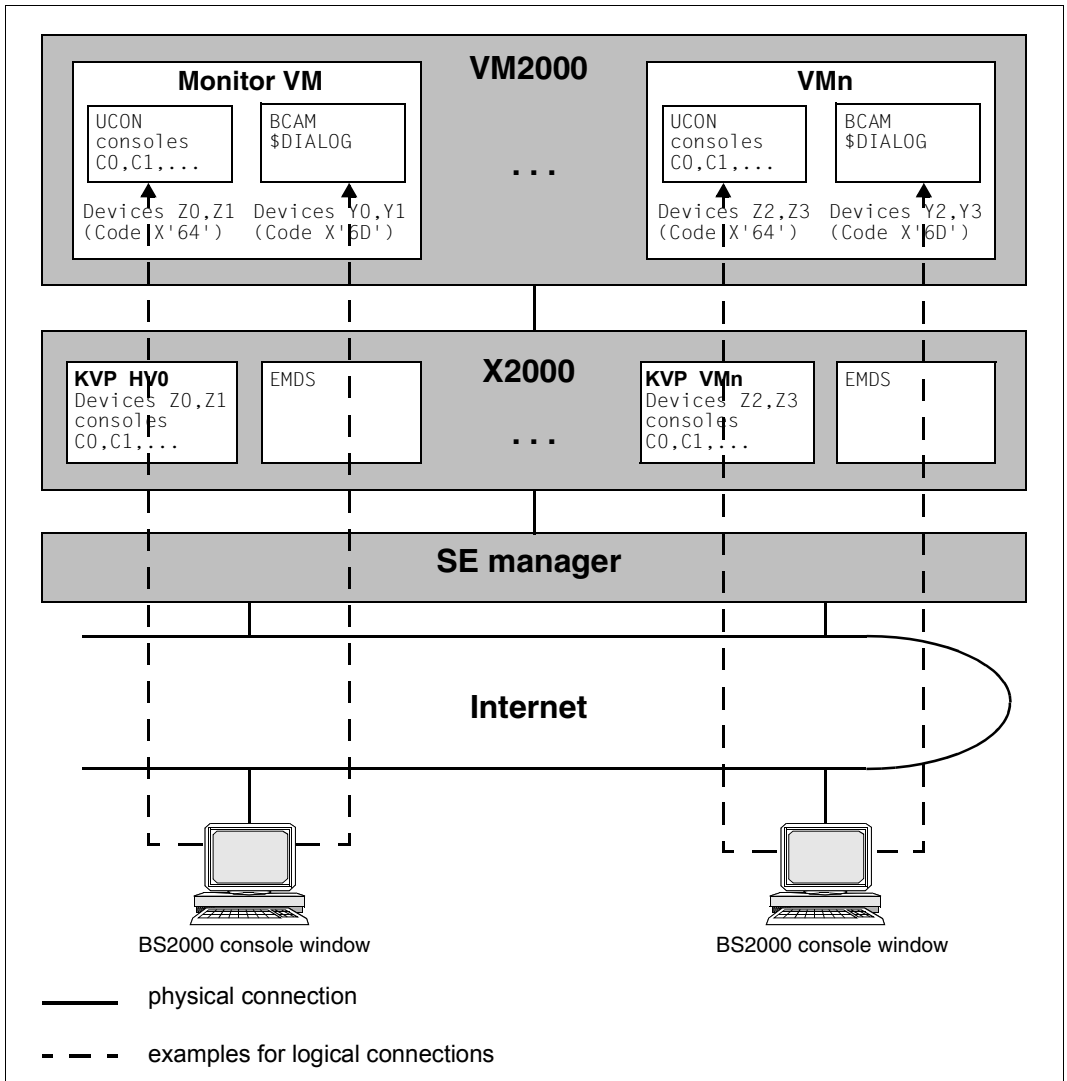


Figure 7: Example of communication with guest systems via KVP consoles (SU x86)

Preparations

The following preparations must be made to operate the guest systems using KVP consoles:

1. A separate KVP must be created via the SE manager for every guest system to be operated. Each of these KVPs is represented, with respect to VM2000 and the BS2000 guest system, by its two mnemonic device names (KVP console device pair).

Such device pairs can also be added to the system during ongoing operation, see [page 395](#). They can only be used in guest systems if these are rebooted following a change to the configuration. In this case, the first time a guest system is started (`/START-VM`), the two mnemonic KVP device names must be specified explicitly in the `MAIN-CONSOLE` operand.

2. The consoles of the KVP which is assigned to the VM via its KVP console device pair must be made known to the guest system via the guest system's startup parameter service (OPR parameter set, `DEFINE-CONSOLE` statement).

Activities in VM2000 operation

The following actions are necessary in VM2000 operation:

1. Creating the connection from the KVP to the VM by assigning both KVP devices to the VM, e.g. using the VM2000 command `/ADD-VM-DEVICES`.
2. Logging an administration PC in to the SE Manager and opening a BS2000 console window in the *Operation* tab.

After logging in to a console, the KVP reports to the BS2000 guest system that this console is operable. Several guest system operators can open their own console windows with the same BS2000 console; they then all receive the same outputs. After console mode has been accessed successfully, the current (most recent) console screen is displayed for the guest system operator.

3. When the VM is started with `/START-VM`, both mnemonic device names of the KVP device pair must if necessary be specified explicitly in the operand `MAIN-CONSOLE`, see [page 681](#).

Remote Service

Only Customer Service ever makes settings for Remote Service. Service access can be set up for every VM, see the manual "Operation and Administration" [19].

5.1.3.2 Operating the guest systems using logical consoles

If BCAM is active in the guest system, logical consoles with sophisticated options for privileges can be used for system operation in guest systems.

A logical console is a user program in which a DCAM application is running that communicates with the \$CONSOLE system application. When BCAM is active, it takes on console functions in a guest system (depending on the operator role).

Logical consoles can be set up, for example, using the software product OMNIS (see the “OMNIS/OMNIS-MENU” manual [12]). After a connection is set up to \$CONSOLE (OPNCON TYP=UCON) with the specification of an operator ID, OMNIS controls the transfer of messages between the OMNIS terminal and \$CONSOLE.

Logical consoles are connected via BCAM to the UCON task in the guest system. They can be used in VM2000 operation:

- for operation in the monitor system and the guest systems
When BCAM is active, all operation can be carried out via logical consoles, i.e. all authorization codes (routing codes) can be put on logical consoles in the guest system. All BS2000 commands for operating the guest system can be entered via logical consoles.
- for operating the VM2000 system as a whole by means of a logical console in the monitor system (authorization code “9”).

5.1.4 VM2000 administration application \$VMCONS

The administration application \$VMCONS handles the exchange of messages for operating the VMs (ADMIN dialog) and for operating the guest systems (VC dialog).



Recommendation

The ADMIN dialog is normally conducted from a privileged user task in the monitor system (see [page 93](#)).

The guest system is normally operated on a VM (operating) with KVP consoles or logical consoles (see [page 102](#)).

Functions of \$VMCONS

\$VMCONS fulfils the following functions:

- Administration of the ADMIN dialogs conducted via \$VMCONS, i.e.
 - receiving VM administrator requests and passing them to the VM2000 monitor
 - receiving messages from the VM2000 monitor and passing them to the appropriate VM administrator
 - reading commands from VM2000 procedure files and monitoring their execution
- Administration of all VC dialogs and their I/O operations

Embedding and implementation of \$VMCONS

\$VMCONS is a system application in the monitor system. \$VMCONS is loaded automatically when BCAM is active and runs under the system task VM2C. It is not possible to start or terminate \$VMCONS manually.

The \$VMCONS parameters are set in the parameter file of the VM2-MON subsystem (see [page 52](#)). Here, it is also possible to specify a password to authorize the establishment of a connection to \$VMCONS.

The \$VMCONS parameters can be modified during operation with `/MODIFY-VMCONS-PARAMETERS`, see [page 547](#).



As the new passwords only retain their validity to the end of the current session or until the command is entered again, the parameter file of the VM2-MON subsystem (see [page 52](#)) should also be updated.

\$VMCONS connects to the \$CONSOLE application as an authorized user program with a dynamic authorization name (see the “Introduction to System Administration” [2]). An operator ID (`VMCONS-OPERID`) and an operator role (`VMCONS-OPERATOR-ROLE`) must be defined for running \$VMCONS (see [page 64](#)).



To avoid undesirable reactions, do not assign any further operator roles to the operator ID, and use only the routing code “9” in the operator role.

The BS2000 command `/SET-MSG-SUPPRESSION` (see the “Introduction to System Administration” [2]) allows you to suppress messages to authorized user programs.

However, to ensure trouble-free operation of \$VMCONS, the command termination messages `NBR074x` must **not** be suppressed for the connection(s) between \$VMCONS and \$CONSOLE (identified by the authorization name assigned by UCON).

The connection to \$CONSOLE means that all of the commands and messages for the VM2000 ADMIN dialogs are recorded in the central logging file CONSLOG of the monitor system. This also applies to VM2000 commands and messages entered and output from a user task or at a monitor system BS2000 console.

The connection to \$VMCONS is established by means of an appropriate DCAM application. OMNIS will usually be used for access from a terminal.

When BCAM is terminated in the monitor system, \$VMCONS is also terminated. If \$VMCONS terminates abnormally, it is restarted automatically (see [page 707](#)). After \$VMCONS has been restarted automatically, the interrupted connections to \$VMCONS must be established again.

Status indication in a job variable

The status of \$VMCONS is displayed in the program-monitoring job variable `$TSOS.SYSVMS.VMCONS`. The job variable can have the following values:

`$R` \$VMCONS is running
`$T` \$VMCONS is not (yet) available

The job variable is set up on the home pubset in the monitor system shortly before `SYSTEM READY` and is set exclusively by the operating system. It is shareable and protected against unauthorized modification. It is deleted when the monitor system is shut down.

In the event of abnormal system termination in the monitor system, the job variable is preserved with its last valid contents and is updated shortly before `SYSTEM READY` when the system is restarted.

5.1.4.1 Establishing a connection to \$VMCONS

The connection to \$VMCONS is established by means of an appropriate DCAM application. OMNIS will usually be used for access from a terminal. A suitable network connection must be available to establish a connection.



Recommendation

Open a separate connection to \$VMCONS for each ADMIN and VC dialog (see [“Establishing multiple connections between OMNIS and \\$VMCONS”](#) on page 111).

Note

Note that each time a connection is set up to \$VMCONS, a connection to \$CONSOLE is also established implicitly. \$CONSOLE permits up to 192 connections. Some connections may already be occupied or reserved by other applications.

Establishing a connection to \$VMCONS via OMNIS

The connection to OMNIS is established at a terminal with the following OPNCON command:

```
O[PNCON] OMNIS [,<praname> bzw. <pp>/<rrr>][,PW=C'cccc' / X'xxxxxxxx']
```

The following OMNIS command is used to establish a connection to \$VMCONS (for a complete description of the command, see the “OMNIS/OMNIS-MENU” manual [12]):

```
O[PNCON] <pac>,TYP=DCAM,PTNNAME=$VMCONS [,PRONAME=<praname>]
          [,CPASS=<c-string 1..4>/<x-string 1..8>]
```

<pac> Freely-selectable OMNIS connection name.

PRONAME=<praname> If OMNIS and \$VMCONS are to run on different systems, the processor name of the system on which \$VMCONS is running must be entered here.

CPASS= Password for establishing a connection to \$VMCONS as specified in the parameter file of the VM2-MON subsystem or via /MODIFY-VMCONS-PARAMETERS (optional, see [page 56](#)).



OPNCON will be rejected by \$VMCONS if specified with PROTOCOL=DSSIM.

For VC dialogs whose connection is established with TYP=UCON, the OMNIS functions “color control” and “message tables” are available, see [“OMNIS functions “color control” and “message tables””](#) on page 119.

After a connection has been established successfully, \$VMCONS sends the VM2000 welcome screen as an OPNCON response (see note on the following page).

The `OPTION` command in OMNIS can be used to set whether OMNIS prefixes the connection name for outputs (<pac>:):

```
OPTION PAC={STD / NO / LINE / PREFIX}
```

The `OPTION` command in OMNIS can be used to set screen overflow control options:

```
OPTION ACK={STD / NO / YES}
```

The `CALL-KEY` function in the `OPTION` command in OMNIS can be used to set up a function for interrupting the output of messages to allow input (“K2 function”):

```
OPTION BREAK-KEY=1,CALL-INF=YES,CALL-KEY=2
```

Since the `BREAK` function for `$DIALOG` is located on the `[K2]` key by default, this function must be relocated to another key (e.g. `[K1]` as in the example above). If the newly defined `[K2]` key is pressed, message output at the OMNIS terminal is interrupted to allow input.



A connection to OMNIS can be established via the communication network or locally (using the SE manager).

Note on output of the VM2000 welcome screen

`$VMCONS` recognizes OMNIS on the basis of its partner characteristic, provided this characteristic starts with `OMS` (default), and outputs the VM2000 welcome screen.

You can use the OMNIS start parameter `APPLICATION PREFIX=xxx` to set a different partner characteristic for OMNIS. You can also set a different partner characteristic for a connection using the `APPNAME` operand at connection setup with `OPNCON`:

```
O[PNCON] <pac>,TYP=<typ>,PTNNAME=$VMCONS,APPNAME=pppxxxxx,
        [PRONAME=<proname>][,CPASS=<c-string 1..4>/<x-string 1..8>]
```

In this case, `ppp` (not equal to `OMS`) is the optional specification of a partner characteristic, and `xxxxx` is an optional component of `APPNAME`, which must, however, be unique for each connection. The partner characteristic of OMNIS does not begin in this case with `OMS`, and `$VMCONS` does not output a VM2000 welcome screen.

Splitting the operating levels

The ADMIN dialog and the VC dialog are independent of each other, i.e. the connections can be opened on separate terminals.

The VC dialog can also be opened if no ADMIN dialog has yet been opened.

Combining operating levels

VM2000 provides the following options for combining operating levels:

- Operation of a VM and the guest system on a VM via a connection to \$VMCONS, combining ADMIN dialog and VC dialog by issuing the VM2000 command `/BEGIN-VM-DIALOG ..., TYPE=*BOTH`.
- Operation of **several** VMs and **several** guest systems at a **single** terminal via **several** connections to \$VMCONS (connections are controlled by OMNIS)
- Operation of **several** VMs and **several** guest systems via a **single** connection to \$VMCONS (multiple `/BEGIN-VM-DIALOG`)

It is recommended, however, that you establish a separate connection to \$VMCONS for each ADMIN dialog and each VC dialog (see the following section).

Establishing multiple connections between OMNIS and \$VMCONS

Since OMNIS itself is responsible for merging a number of connections on a single terminal, a separate connection between OMNIS and \$VMCONS should be established for each dialog (ADMIN dialog or VC dialog).

In this event, the OMNIS connection name `<pac>` should be chosen in such a way that it corresponds to the prefix of VM2000 outputs, i.e. `VM01, VM02, ..., VMnn` if an ADMIN dialog is to be conducted via this connection (see [page 113](#)) or `GS02, GS03, ..., GSnn` if a VC dialog is to be conducted via this connection (see [page 117](#)).

The OMNIS connection name `<pac>`: identifies the assignment of an input to a connection. OMNIS generally prefixes all output via this connection with `<pac>`.

If a number of connections to \$VMCONS are established, the appropriate connection name (`<pac>`;) must be prefixed to the input if the assignment has not been carried out for the preceding input.

Program connection to \$VMCONS via a DCAM application

In addition to terminal connection via OMNIS, a program connection to \$VMCONS is also possible via suitable DCAM applications (`PTNNAME=$VMCONS`).

DCAM applications whose APPNAME does not start with `OMS` do not receive the VM2000 welcome screen as a response to `OPNCON`.

After a connection to \$VMCONS has been established successfully, it is possible to open ADMIN and VC dialogs via the DCAM application.

5.1.4.2 Operating the virtual machines (ADMIN dialog via \$VMCONS)

Refer to [page 121](#) for an example of an ADMIN and VC dialog via \$VMCONS.



Recommendation

The ADMIN dialog is normally conducted from a privileged user task in the monitor system (see [page 93](#)).

The following stages are involved in operating a VM in an ADMIN dialog via \$VMCONS.

- ▶ Establish a connection to \$VMCONS via OMNIS (see [page 109](#)) or via a suitable DCAM application.
- ▶ Open the ADMIN dialog using the VM2000 command

```
<pac>: /BEGIN-VM-DIALOG VM-IDENTIFICATION=...,PASSWORD=...,TYPE=*ADMIN(...)
```

You must specify the OMNIS connection name `<pac>`: here to assign the command to the OMNIS connection. The slash (/) must always be specified to identify the VM2000 command.

If `TYPE=*BOTH` is specified, both the ADMIN and a VC dialog will be handled under the same connection name. The VM prefix is used to distinguish entries for administration of a VM and entries for administration of the guest system.

After the `/BEGIN-VM-DIALOG` command has been completed successfully, the VM2000 administrator is informed of the authorization name for this ADMIN dialog (message VMS1013). Messages for the ADMIN dialog are logged in the CONSLOG file for the monitor system under this authorization name (`@nnn, n=0..9`).

- ▶ Enter VM2000 commands to operate the VM (see [page 133](#) and [page 423](#)) or the VM2000 system as a whole (see [page 227](#) and [page 423](#)).
- ▶ Terminate the ADMIN dialog with one of the VM2000 commands

```
/END-VM-DIALOG VM-IDENTIFICATION=...,TYPE=*ADMIN,DISCONNECT=...
/DELETE-VM VM-IDENTIFICATION=...
```

When you enter `/END-VM-DIALOG`, you can specify whether the connection to \$VMCONS is to be maintained or cleared. If `TYPE=*BOTH` is specified, both the ADMIN dialog and the VC dialog are terminated.

If `/DELETE-VM` is specified, VM2000 terminates all ADMIN dialogs with the VM and all VC dialogs with the guest system on the VM.



One ADMIN dialog per VM can be opened via \$VMCONS (if there are free connections to \$CONSOLE, see *Note* on [page 109](#)). In addition, up to 15 ADMIN dialogs per VM can be opened concurrently via different, privileged user tasks.

VM prefix

The VM prefix is used to assign a command or message to a VM in the ADMIN dialog via \$VMCONS. It comprises the string `VMnn:`. Here `nn` is the VM index (2 digits, padded to the left with zeros, e.g. `VM03:`).

VM2000 adds the VM prefix to all output and messages of the ADMIN dialog via \$VMCONS. If the ADMIN dialog is opened with `TYPE=*ADMIN(OUTPUT-PREFIX=*NO)`, output of the VM prefix can be suppressed.

If a number of dialogs are conducted across a single connection to \$VMCONS, the VM2000 commands must include the appropriate VM prefix if the assignment has not already been carried out by the preceding command.

If several OMNIS connections are used, both identifiers, i.e. the OMNIS connection name and the VM prefix must be added to any input, e.g. `XY01:VM02:/SHOW-VM-ATTRIBUTES`.

It is recommended, however, that you establish a separate connection to \$VMCONS for each ADMIN and each VC dialog, see [page 111](#).

Logging

VM2000 commands, output and messages in the context of the operation of VM2000 and the VMs are logged to the monitor system's CONSLOG file (for more information on the CONSLOG file see the "Diagnostics Handbook" [4]).

The commands entered and messages output during an ADMIN dialog via \$VMCONS can be identified on the basis of the unique authorization name (`@nnn`, `n=0..9`) stored in the sender/recipient field of each entry in CONSLOG. The VM2000 administrator is informed of the authorization name at `/BEGIN-VM-DIALOG` (message `VMS1013`), at `/END-VM-DIALOG` or `/DELETE-VM` (message `VMS1012`) or if a connection is terminated abnormally (message `VMS1531`).



When an authorization name becomes free, it is immediately reassigned by UCON.

OMNIS logging provides a further type of logging (see the "OMNIS/OMNIS-MENU" manual [12]). When OMNIS logging is activated, OMNIS logs all messages it handles in the OMNIS logging file. This means that both the ADMIN dialog and the VC dialog are logged in the OMNIS logging file, but not the VM2000 messages to and from a BS2000 console in the monitor system.

For the purpose of evaluation, the OMNIS administrator must replace the logging file, make it readable with the OMNISLC utility and then make it available.

5.1.4.3 Operating the guest systems(VC dialog via \$VMCONS)

When \$VMCONS is used as a BS2000 console of the guest system, the message traffic is handled as a VC dialog via \$VMCONS (see [page 115](#)).

The guest system can be started up and operated via the VC dialog. An example of this is provided on [page 121](#).



We recommend operating the guest systems using KVP consoles or logical consoles (see [page 102](#)) instead of via \$VMCONS.

Implementing a VC dialog via \$VMCONS connection to KVP (SU x86)

A VC dialog on SU x86 is implemented as a special connection to the KVP console of the `cons0<kvp-name>` ID of the KVP via which the guest system's IPL was initiated. BS2000 outputs to this KVP console are output via \$VMCONS. Inputs in the VC dialog are forwarded via \$VMCONS and the KVP to the guest system like inputs from this KVP console.

Implementing a VC dialog via virtual console (SU /390)

A **virtual console** is a device that is generated as a physical console at hardware generation of the SU /390 but does not actually exist. If the virtual console is used as a BS2000 console of the guest system, the message traffic is executed as a VC dialog via \$VMCONS (see [page 115](#)).

Inputs/outputs via a virtual console are emulated by \$VMCONS and the VM2000 hypervisor for the relevant guest system via the physical console as message traffic.

The guest system is started up and operated via the virtual console. An example of this is provided on [page 121](#). You cannot use a virtual console for the monitor system.



We recommend operating the guest systems using KVP consoles or logical consoles (see [page 102](#)) instead of via \$VMCONS.

Generating the virtual console

Virtual consoles must be generated as devices, see [page 47](#).

Assigning the virtual console

Free devices that can be assigned to a VM as a virtual console have the suffix (VC) in the outputs of VM2000 information commands.

Virtual consoles must be assigned explicitly by means of `/ADD-VM-DEVICES` with the operand `TYPE=*VC`. They cannot be assigned implicitly. Each VM/each guest system can be assigned **one** virtual console. A virtual console cannot be assigned to the monitor VM.

Virtual consoles of a VM have the suffix (VC) in the outputs of VM2000 information commands.

Conducting a VC dialog

The following stages are involved in operating a guest system with a VC dialog:

- ▶ Establish a connection to \$VMCONS via OMNIS (see [page 109](#)) or via a suitable DCAM application.

When a connection is established to \$VMCONS with TYP=UCON, the OMNIS functions “color control” and “message tables” are also available for the VC dialog, see “[OMNIS functions “color control” and “message tables”](#)” on [page 119](#).

- ▶ Open a VC dialog with the following VM2000 command:

```
<pac>: /BEGIN-VM-DIALOG VM-IDENTIFICATION=...,PASSWORD=...,TYPE=*VC(...)
```

You must specify the OMNIS connection name <pac>: here to assign the command to the OMNIS connection. The slash (/) must always be specified to identify the VM2000 command.

Up to **eight VC dialogs** can be conducted in parallel with one guest system.

If TYPE=*BOTH is specified, both the ADMIN and a VC dialog will be handled under the same connection name. The GS prefix is used to distinguish entries for administration of the guest system and entries for administration of a VM.

- ▶ Enter BS2000 commands and statements for operating the guest system on the VM.

- ▶ Terminate the VC dialog with one of the VM2000 commands

```
VMnn:/END-VM-DIALOG VM-IDENTIFICATION=... ,TYPE=*VC,DISCONNECT=...
VMnn:/DELETE-VM VM-IDENTIFICATION=...
```

VMnn is the VM prefix for an ADMIN dialog on this connection. If VC dialogs only are conducted over this connection, the prefix VM00: must be specified to distinguish entries for the guest system.

When you enter /END-VM-DIALOG, you can specify whether the connection to \$VMCONS is to be maintained or cleared. If TYPE=*BOTH is specified, both the ADMIN dialog and the VC dialog are terminated.

When the /DELETE-VM command is issued, all ADMIN dialogs with the VM and all VC dialogs with the guest system on the VM are terminated by VM2000.



Up to **eight VC dialogs** can be conducted in parallel with one guest system. Several operating or monitoring instances can thus operate the guest system in parallel. Please observe the *Note* on [page 109](#) here.

All the VC dialogs of a guest system have the same command and message authorization. When BCAM is active in the guest system, logical consoles (e.g. via OMNIS) with differentiated privileges and privileged user tasks can be used.

When data transfer in a VC dialog is interrupted, outputs of the guest system are recognized and are reported to the VM or VM2000 administrator in message VMS1602.

In the following cases, \$VMCONS is temporarily not available:

- automatic restart in the monitor system (see also [page 703](#))
- failure of OMNIS
- failure of the terminal or the connection to the terminal

Guest systems that are **only** operated via \$VMCONS cannot be operated during this time.

390 On SU /390 the outputs of the guest systems in this period are either buffered (if the system parameter NBMSGCSD=N is set) and output as soon as \$VMCONS is available again or only output to the CONSLOG file (NBMSGCSD=Y).

x86 Outputs of the guest systems are not buffered on SU x86 during this time because the associated KVP console remains operable from the BS2000 viewpoint. In the event of a connection failure (i.e. not in the case of a restart), some messages are buffered by the VM2000 Agent. However, all outputs are stored in the CONSLOG file or in KVP logging.

GS prefix

The GS prefix is used to assign input or output to a guest system. It comprises the string `GSnn:`. Where `nn` is the index of the VM on which the guest system is running (2 digits, padded to the left with zeros, e.g. `GS03:`).

By default, VM2000 adds the GS prefix to all outputs from a VC dialog. If the VC dialog is opened with `TYPE=*VC(OUTPUT-PREFIX=*NO)`, output of the GS prefix can be suppressed.

If a number of dialogs are conducted across a **single** connection to \$VMCONS, entries made in the guest system must include the appropriate GS prefix if the assignment has not already been carried out by the preceding command. If several OMNIS connections are used, both identifiers, i.e. the OMNIS connection name and the GS prefix, must be added to any input, e.g. `XY01:GS02:P.END`.

Message flow when operating the guest system (SU /390)

Since all messages between the virtual console and the guest system are handled by the VM2000 hypervisor and the monitor VM (path (1) in figure 8), this places an additional burden on the VM2000 hypervisor and the monitor VM.

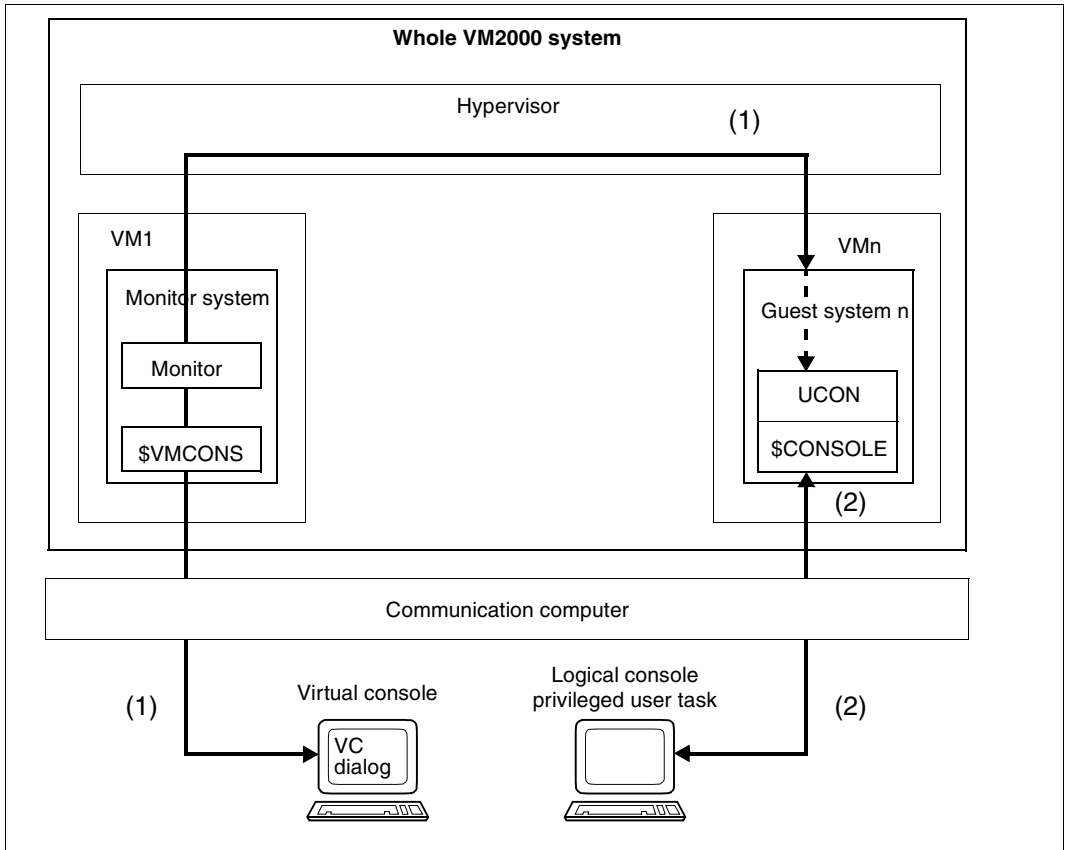


Figure 8: Message flow when operating the guest system

To relieve the burden on the hypervisor if there is heavy input/output traffic across the virtual consoles, it is possible to define logical consoles for the guest system (e.g. using OMNIS) when BCAM is active in the guest system (see the “OMNIS/OMNIS-MENU” manual [12]).

If the BS2000 command `/ADD-CONSOLE-FILTER FILTER=*ALL,ROUTING-CODE=*ALL` is entered in a VC dialog, the virtual console is placed in the so-called NOINF status. In this status, all unanswered messages which are to be distributed (indicated by % and to be sent via a routing code) are suppressed.

Normal operating is then carried out on the logical consoles (path (2) in [figure 8](#)). The virtual console is then only used to display emergency messages and to eliminate problems if a logical console fails.

OMNIS functions “color control” and “message tables”

The functions “color control” and “message tables” are described in detail in the “OMNIS/OMNIS-MENU” manual [[12](#)].

The connection to \$VMCONS is established, as described on [page 109](#), via the OMNIS command `OPNCON`, but with specification of `TYP=UCON`. The guest systems can then be operated like UCON partners by OMNIS with color control and message tables.



Recommendation for dialog design with the UCON partner type

When a connection is established with the partner type UCON, the OMNIS functions “color control” and “message tables” are also activated for the virtual console. Since these functions require a specific message format, you should note the following:

- Suppress the output of the VM2000 welcome screen when the connection is established by specifying a partner characteristic other than `OMS` (see the note on [page 110](#)).
- **Only conduct one VC dialog** (`/BEGIN-VM-DIALOG VM-ID=... , PASSWORD=... ,TYPE=*VC`) via this connection to \$VMCONS with the partner type UCON.
- Conduct the ADMIN dialog via another connection to \$VMCONS with the partner type DCAM or conduct the ADMIN dialog from a privileged user task.

Color control

Depending on the `DISPLAY-MODE`, the messages of the guest system are colored according to their meaning. The `DISPLAY-MODE` can be set with the operand of the same name in the OMNIS commands `SET`, `OPTION` and `DECLARE-TERMINAL`.

Message tables

Console messages of a guest system are received by OMNIS via the UCON interface and are output in the VC dialog. OMNIS message tables automate operation of the guest system. Message tables allow you to

- have receipt of a message signaled acoustically (BELL=YES)
- suppress output of unimportant messages (DISPLAY=NO)
- reply to messages automatically (REPLY='&VMP:&TSN.<text>')
- respond to messages with an operator command (REPLY='&VMP: /<cmd>')

Like the OMNIS placeholder &TSN, with which the reply is directed to the task that triggered the message, the placeholder &VMP is also available. However, this only has to be used when, contrary to the recommended procedure, **several** VC dialogs are conducted using only a **single** connection to \$VMCONS. &VMP can then be used to send the reply to the guest system that sent the message (REPLY='&VMP: . . . ').

The prerequisite for this is that these VC dialogs must be working with a GS prefix, i.e. they must have been opened with /BEGIN-VM-DIALOG . . . ,OUTPUT-PREFIX=*YES.

The message tables are normally predefined and are set up when OMNIS is started (OMNIS startup file). However, they can be created or modified during operation (OMNIS command MDEF, where the INSERT operand has no relevance). The OMNIS command INF MTAB provides information on current message tables.

5.1.4.4 Example of ADMIN and VC dialog via \$VMCONS

This example shows the operation of the whole VM2000 system and the VM2 by the VM2000 administrator (ADMIN dialog with the monitor VM via \$VMCONS) on an SU /390.

The guest system on the second VM is booted and started via a separate OMNIS connection in the VC dialog.

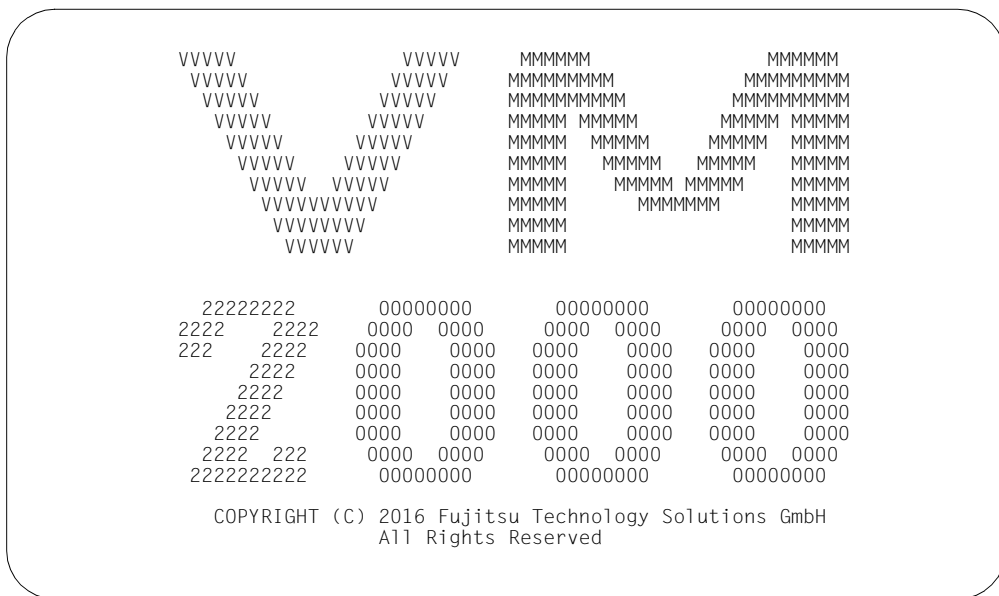


For an example of the ADMIN dialog via a privileged user task, see [page 97](#).

Tracer listing

```
@: OMS0001 USER IS CONNECTED TO OMNIS (TERMINAL=(STATFD70/MCH9700D);
  TID= 474)
@: OMS0002 OMNIS VERSION <ver> READY _____ (1)
@:option logging=yes _____ (2)
@:option input-logging=send,output-logging=send
@:option pac=std _____ (3)
@:option break-key=1,call-inf=yes,call-key=2 _____ (4)
@:opncon vm01,typ=dcam,ptnname=$vmcons,prname=d021ze01,appname=OMS111 (5)
@: OMS0012 'OPNCON' COMMAND ACCEPTED (PAC=VM01, PID= 477,
  APPNAME=(OMS111/D021ZE01))
@: OMS0014 'OPNCON' COMMAND EXECUTED SUCCESSFULLY
  (PARTNER=( $VMCONS/D021ZE01), PAC=VM01) _____ (6)
```

- (1) Via a terminal emulation the connection is established to OMNIS.
- (2) The OMNIS logging is activated.
- (3) The standard output of the OMNIS connection name (<pac>:) is chosen.
- (4) The “K2 function“ is set up under OMNIS.
- (5) The connection to \$VMCONS is established via OMNIS with the connection name VM01. The password for access to \$VMCONS is not set up.
- (6) The connection was established successfully. \$VMCONS sends the welcome screen.



```

vm01:/begin-vm-dialog vm-id=1,type=*admin(output-prefix=*no) _____ (7)
VM01: % VMS3000 VM2000 COMMAND /BEGIN-VM-DIALOG FOR
        VIRTUAL MACHINE (1,MONITOR) PROCESSED SUCCESSFULLY
VM01: % NBR0740 COMMAND COMPLETED 'BEGIN-VM-DIALOG';
        (RESULT: SC2=000, SC1=000, MC=CMD0001); DATE: <date> — (8)
    
```

- (7) The VM2000 administrator opens the ADMIN dialog with the monitor VM. The OMNIS connection name `vm01` must be specified here for assignment of the input to the OMNIS connection. The slash (/) to introduce a command must always be specified. Output of the VM prefix is suppressed since in this example a separate connection to \$VMCONS with an OMNIS connection of the same name is set up for every dialog under OMNIS.
- (8) The standardized command termination message is output.

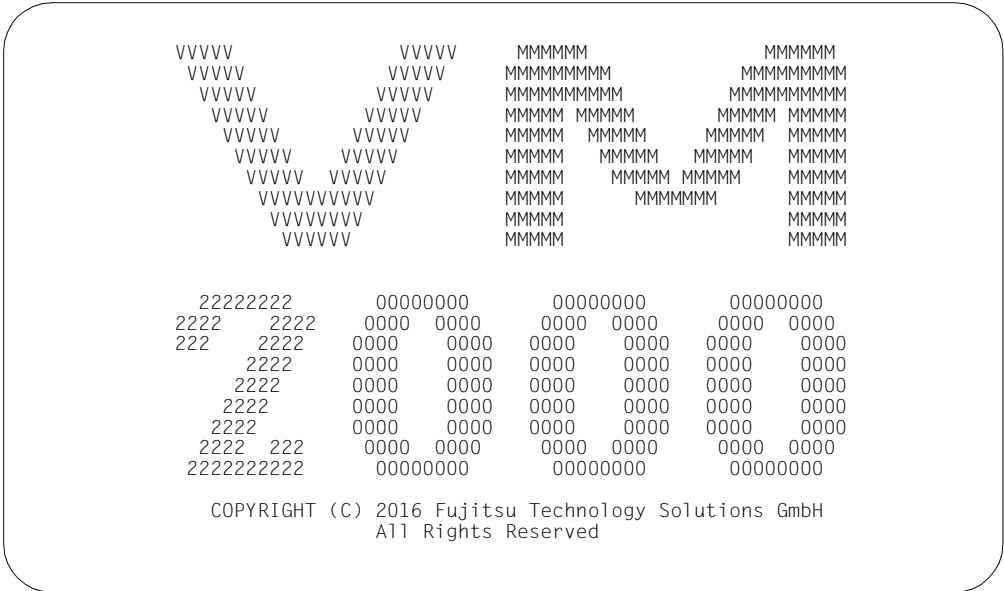
```

/CREATE-VM memory-size=512,vm-name=system2,
          cpu-quota=30,password=c'sys2' _____ (9)
VM01: % VMS3050 VIRTUAL MACHINE (2,SYSTEM2) CREATED
VM01: % VMS4615 VIRTUAL MACHINE (2,SYSTEM2) ASSIGNED TO CPU POOL '*STDPPOOL'
VM01: % VMS3000 VM2000 COMMAND /CREATE-VM FOR
          VIRTUAL MACHINE (2,SYSTEM2) PROCESSED SUCCESSFULLY
VM01: % NBR0740 COMMAND COMPLETED 'CREATE-VM';
          (RESULT: SC2=000, SC1=000, MC=CMD0001); DATE: <date>
/ADD-VM-DEVICES vm-id=system2,
          units=*pubset-devices(pubset=*by-pubres-device(unit=fc1a)) _____ (10)
VM01: % VMS4005 DEVICE 'FC1A' ASSIGNED TO VIRTUAL MACHINE (2,SYSTEM2)
VM01: % VMS4005 DEVICE 'FC1B' ASSIGNED TO VIRTUAL MACHINE (2,SYSTEM2)
VM01: % VMS4220 PUBSET '4IVK' WITH PUBRES DEVICE 'FC1A'
          ASSIGNED TO VM (2,SYSTEM2)
VM01: % VMS3000 VM2000 COMMAND /ADD-VM-DEVICES FOR
          VIRTUAL MACHINE (2,SYSTEM2) PROCESSED SUCCESSFULLY
VM01: % NBR0740 COMMAND COMPLETED 'ADD-VM-DEVICES';
          (RESULT: SC2=000, SC1=000, MC=CMD0001); DATE: <date>
/ADD-VM-DEVICES units=(cc),type=*vc,vm-id=system2 _____ (11)
VM01: % VMS4005 DEVICE 'CC' ASSIGNED TO VIRTUAL MACHINE (2,SYSTEM2)
          (TYPE=VC)
VM01: % VMS3000 VM2000 COMMAND /ADD-VM-DEVICES FOR
          VIRTUAL MACHINE (2,SYSTEM2) PROCESSED SUCCESSFULLY
VM01: % NBR0740 COMMAND COMPLETED 'ADD-VM-DEVICES';
          (RESULT: SC2=000, SC1=000, MC=CMD0001); DATE: <date>

```

- (9) A mono-VM is initialized by the VM2000 administrator. The VM receives the VM name SYSTEM2. The password SYS2 is defined for dialog access. The OMNIS connection name need no longer be specified, as it was set with the last input.
- (10) The VM2000 administrator assigns VM2 the disk device(s) of the home pubset by specifying the pubres device. The pubset is detected by VM2000.
- (11) The VM2000 administrator assigns a virtual console to VM2.

```
@:/opncon gs02,typ=ucon,ptnname=$vmcons,proname=D021ZE01,appname=OMS112 (12)
@: OMS0012 'OPNCON' COMMAND ACCEPTED (PAC=GS02, PID= 487,
APPNAME=(OMS112/D021ZE01))
@: OMS0014 'OPNCON' COMMAND EXECUTED SUCCESSFULLY
(PARTNER=($VMCONS/D021ZE01), PAC=GS02)
```



```
gs02:/begin-vm-dialog vm-id=system2,password=c'sys2',
type=*vc(output-prefix=*no) _____ (13)
VM01: % VMS1033 PARTNER 'OMS112 D016ZE04' HAS STARTED A VC DIALOG WITH
VIRTUAL MACHINE (2,SYSTEM2) _____ (14)
% VMS3000 VM2000 COMMAND /BEGIN-VM-DIALOG FOR
VIRTUAL MACHINE (2,SYSTEM2) PROCESSED SUCCESSFULLY
% NBR0740 COMMAND COMPLETED 'BEGIN-VM-DIALOG';
(RERESULT: SC2=000, SC1=000, MC=CMD0001); DATE: <date>
```

- (12) Via OMNIS a further connection to \$VMCONS is established as TYP=UCON with the connection name GS02. This connection could also be established from a separate terminal to separate the operating levels. The prefix @ must be specified, as the statement is directed to OMNIS.
- (13) Only the VC dialog is opened. Output of the GS prefix is suppressed. The OMNIS connection name GS02 must be specified here for assignment of the input to the OMNIS connection.
- (14) The VM2000 administrator is informed that the connection has been established.

```

vm01:/start-vm ipl-unit=fc1a,vm-id=system2,information-byte=*dialog — (15)
VM01: % VMS2023 CPU 00 OF VIRTUAL MACHINE (2,SYSTEM2) STARTED
VM01: % VMS3000 VM2000 COMMAND /START-VM FOR
        VIRTUAL MACHINE (2,SYSTEM2) PROCESSED SUCCESSFULLY
VM01: % NBR0740 COMMAND COMPLETED 'START-VM';
        (RESULT: SC2=000, SC1=000, MC=CMD0001); DATE: <date>
GS02: %P.NSI00E3 IPL-REPS READ: 2; EXECUTED: 2
GS02: %P.NSI1100 IPL DEVICE = 4IVK.0; IPL PATH = FC1A (MN=FC1A)
GS02: %P.NSI1106 *** BS2000 DIALOGUE STARTUP *** _____ (16)
GS02: ?P.NSI1110 ENTER OPTIONS OR EOT.
        REPLY (UNLOCK,TEST,ALLDISK,DRV-SELECT,CREATE-DRV,IPL-CONF)
gs02:p. _____ (17)
GS02: %P.NSI3135 IPL DISK-SETUP READ FROM IPL-CONF PREPARED <date> <time>
GS02: %P.NSI1143 002 PUBVOLS OF HOME-PVS 4IVK WITH SYSID 186 ONLINE
GS02: %P.NSI1145 4IVK.0 <date> <time> ON FC1A
GS02: %P.NSI1145 4IVK.1 <date> <time> ON FC1B
GS02: %P.NSI1153 STATE OF PROCESSORS ONLINE:
GS02: %P.NSI1155 CPU 00 ONLINE, ATTACHED (IPL CPU)
GS02: %P.NSI1163 LOCAL DATE = <date>, TIME = <time> FROM SVP
GS02: %P.NSI1180 LOAD ADDRESS OF SYSPRG.STRT.<ver> = 0076A000
GS02: %P.NSI00E6 FILE SYSREP.STRT.<ver> IS USED AS REP FILENAME
GS02: ?P.NSI0050 SPECIFY PARAM FILE OR DEVICE.
        REPLY ( EOT (USE STANDARD FILE);FN=FILENAME,(VOL=VSN);CONS;END )
... _____ (18)

```

- (15) The VM2000 administrator starts the guest system on VM2 (change of the OMNIS connection name). The pubres device of the home pubset is selected as the IPL unit. A dialog startup is to be performed. Operation of the guest system is done in the VC dialog.
- (16) Outputs of the guest system appear in the VC dialog (OMNIS connection name GS02).
- (17) Inputs to the guest system (change of the OMNIS connection name).
- (18) The guest system continues to run.

```

gs02:vm00:/end-vm-dialog vm-id=system2 _____ (19)
VM01: % VMS1032 PARTNER HAS TERMINATED A VC DIALOG WITH
      VIRTUAL MACHINE (2,SYSTEM2) _____ (20)
      % VMS3000 VM2000 COMMAND /END-VM-DIALOG FOR
      VIRTUAL MACHINE (2,SYSTEM2) PROCESSED SUCCESSFULLY
      % NBR0740 COMMAND COMPLETED 'END-VM-DIALOG';
      (RESULT: SC2=000, SC1=000, MC=CMD0001); DATE: <date>
@: OMS0006 CONNECTION TO PARTNER ($VMCONS/D021ZE01) LOST
      (PAC=GS02; CODE=00000000) _____ (21)
vm01:/end-vm-dialog _____ (22)
VM01: % VMS3000 VM2000 COMMAND /END-VM-DIALOG FOR
      VIRTUAL MACHINE (1,MONITOR) PROCESSED SUCCESSFULLY
VM01: % NBR0740 COMMAND COMPLETED 'END-VM-DIALOG';
      (RESULT: SC2=000, SC1=000, MC=CMD0001); DATE: <date>
@: OMS0006 CONNECTION TO PARTNER ($VMCONS/D021ZE01) LOST
      (PAC=VM01;CODE=00000000)

```

- (19) The VC dialog is terminated. The OMNIS connection name `GS02` would only have to be specified here if the OMNIS connection were changed. Specification of `VM00` as a replacement prefix is necessary, as only a VC dialog (`TYPE=*VC`) is conducted via the OMNIS connection `GS02` and so no VM prefix is defined. If an ADMIN dialog (also) were conducted via this connection, its VM prefix would have to be specified.
- (20) The VM2000 administrator is informed that the connection has been lost.
- (21) OMNIS reports the lost connection to \$VMCONS.
- (22) The VM2000 administrator terminates the ADMIN dialog with the monitor VM.

5.1.5 Automating VM2000 and VM administration

VM2000 offers many different options for automating the administration of the virtual machines and the whole VM2000 system.

Routine tasks

Recurring tasks can be automated under VM2000 through:

- S procedures (software product SDF-P)
These extend the command language of BS2000 to a programming language. If used under a user ID in the monitor system with the appropriate privilege, S procedures can contain BS2000 and VM2000 commands. With the OPERATING privilege, they can also contain BS2000 operator commands.

VM2000 supports administration via S procedures through:

- command return codes, see [section “Command return codes” on page 431](#)
- guaranteed messages, see [section “Guaranteed messages” on page 432](#)
- SHOW output in structured S variables, see [section “SHOW output in S variables” on page 433](#)

For an example of an S procedure under VM2000, see [page 130](#). In this procedure, return codes and SHOW outputs in S variables are processed.

- BS2000 procedures (non-S procedures)
These can be called by the VM2000 or VM administrator with the BS2000 command `/CALL-PROCEDURE` or `/ENTER-PROCEDURE` from a privileged user task, see [section “Operating the virtual machines \(ADMIN dialog from user task\)” on page 93](#). These BS2000 procedures contain BS2000 and VM2000 commands. If they are used under a user ID with the OPERATING privilege, they can also contain BS2000 operator commands.
- RUN files
These can be called by the VM2000 administrator with `/RUN` from a BS2000 console in the monitor system.
RUN files contain VM2000 commands and BS2000 operator commands.
- VM2000 procedures
These can be used by the VM2000 or VM administrator in the ADMIN dialog via `$VMCONS`, see `/CALL-VM-PROCEDURE` on [page 458](#).
VM2000 procedures contain VM2000 commands.

- **Persistent VM definitions**
A persistent VM definition is also available to a Server Unit after a reboot. With its help a persistent VM is set up again and restarted immediately when the corresponding specification is provided in the `AUTO-IPL` parameter. See [section “Working with VM definitions” on page 200](#).
- **Backup file for the VM2000 configuration**
You can back up the current VM2000 configuration to a file and restore the backed-up VM2000 configuration after the overall VM2000 system has been (re)started, see [page 397](#).

Monitoring with job variables

The routine monitoring of virtual machines, of main memory reconfigurations and of VM Migrations can be automated under VM2000 by using job variables (MONJVs), see [page 145](#), [page 185](#) and [page 317](#). You will find sample applications there.

Asynchronous events

The reaction to asynchronous events can be automated under VM2000. For this purpose, certain messages which are important for event-controlled automation are always output via routing code “9”.

Regardless of whether a VM2000 administrator exists (ADMIN dialog with monitor VM), the following messages are sent for the VM2000 administrator, always using **routing code “9”**.

VMS0021	VMS0024	VMS0025	VMS0026	VMS0027	VMS2011	VMS2023	VMS2033
VMS2037	VMS2050	VMS2051	VMS2052	VMS2053	VMS2100	VMS2104	
	VMS2411–VMS2422	VMS2424	VMS2425	VMS2430–VMS2434		VMS2440–VMS2444	
	VMS2450–VMS2452	VMS4065	VMS4066	VMS4075	VMS4077	VMS4094	VMS4095
VMS4342	VMS4343	VMS4344	VMS4510	VMS4511	VMS4512	VMS4514	VMS4515
VMS4551	VMS4552	VMS4553	VMS4554	VMS4555	VMS4556	VMS4557	VMS4558
VMS4559	VMS4560	VMS4561	VMS4562	VMS4563	VMS4564	VMS4620	VMS4621
VMS4910	VMS4912	VMS6002	VMS6003	VMS6018	VMS6020	VMS6021	VMS6023
VMS6094							

The following products can receive these messages and react automatically to the events associated with them:

- OMNIS-PROP, a special exit routine of the product OMNIS, see the “OMNIS” manual [12].

OMNIS-PROP allows you to declare times, time intervals and system messages as events. When these events occur, OMNIS-PROP activates administration procedures which perform operator tasks. To use OMNIS-PROP, you must have some knowledge of Assembler.

- PROP-XT, a software product used in data center automation, see the “PROP-XT” manual [15].

PROP-XT allows programmed operating by means of administration procedures which were created with the convenient language resources of SDF-P.

Administration procedures can thus implement via PROP-XT an event-driven VM2000 administration in parallel with the synchronous command processing in S procedures. \$VMCONS or a logical console are set up as the administration object under PROP-XT. Via this connection, the asynchronous messages are received by VM2000 and assigned an automated reaction, see the example on [page 130](#).

Up to 15 VM administrators per VM can begin the ADMIN dialog with the VM from different privileged user tasks. Several PROP-XT administration procedures can thus be used in parallel with the conventional VM or VM2000 administration for the automation of VM2000 operation.

Example

The following S procedure shows the use of PROP-XT for VM2000 administration in conjunction with a reconfiguration of the main memory. For an analogous sample procedure using MONJV, see [page 320](#).

```

/SET-PROC-OPT
/" *****
/" ** PROCEDURE VMMEM FOR GUEST SYSTEMS WITH VM-ID=2 AND 3 *****
/" *****
/" ** THE PROCEDURE PERFORMS A MEMORY RECONFIGURATION.
/" ** THE ASYNCHRONOUS TERMINATION MESSAGES ARE PROCESSED
/" ** VIA PROP-XT.
/" ** IMPORTANT STEPS:
/" ** - ESTABLISH CONNECTION TO PROP-XT
/" ** - CONNECTION TO VM2000 ESTABLISHED
/" ** - CHECK CURRENT MEMORY SIZE
/" ** - REDUCE MEMORY OF VM2
/" ** - HANDLE ASYNCHRONOUS END VIA PROP-XT
/" ** - EXTEND MEMORY OF VM3
/" ** - HANDLE ASYNCHRONOUS END VIA PROP-XT
/" ** - SHUT DOWN CONNECTION TO PROP-XT
/" ** - DISCONNECTION FROM VM2000
/" *****
/" *****
/DECLARE-VARIABLE NAME=SYSPOP(TYPE=STRUCTURE)
/DECLARE-VARIABLE NAME=SHVAS(TYPE=STRUCTURE),MULT-E=*LIST
/DECLARE-VARIABLE NAME=MIMEMSI(TYP=INT)
/DECLARE-VARIABLE NAME=TXT(TYPE=STRING,INIT-VALUE='OK')
/DECLARE-VARIABLE NAME=CONT(TYPE=BOOLEAN,INIT-VAL=TRUE)
/ASSIGN-SYSLST LST.VMMEM
/MODIFY-JOB-OPTIONS LOG=*PAR(LIST=Y)
/BEGIN-BLOCK
/START-SUBSYSTEM PROP-XT,SYNC=Y
/IF-CMD-ERROR;END-IF
/"** LOG ON TO PROP-XT *
/BEGIN-PROP-PROCESS VMMEM
/"** ESTABLISH CONNECTION "TO LOCAL UCON *
/START-PROP-OBJECT-MON OBJ-NAME=CONSOLE,OBJECT=*OPER-
/ (OPERATOR-ROLE=SYSADM)
/IF (SYSPOP.MAINCODE <> '0000')
/ TXT = 'ERROR IN START-P-O-M CONSOLE ** RC: &(SYSPOP.MAINCODE)'
/ GOTO LABEL=ERROR
/END-IF

```

```

/ " ** LOG EVENTS TO PROP-XT "
/ " ** VM2000 REPORTS EXECUTION OF THE COMMAND TO THE CONSOLE "
/ " ** ASYNCHRONOUSLY WITH VMS4094 (POSITIVE ACKNOWLEDGMENT) OR VMS4095 "
/ " ** (NEGATIVE ACKNOWLEDGMENT). THEREFORE WAIT EXPLICITLY FOR THESE "
/ " ** TWO MESSAGES (THEREFORE: LOG ON AS EVENTS!). "
/ START-PROP-EVENT-MON EV-NAME=VMS4094,SELECT-EV=*FROM-OBJ(-
/ OBJ-NAME=CONSOLE,EVENT-DATA=*SYSTEM-MSG(MSG-ID=VMS4094))
/ START-PROP-EVENT-MON EV-NAME=VMS4095,SELECT-EV=*FROM-OBJ(-
/ OBJ-NAME=CONSOLE,EVENT-DATA=*SYSTEM-MSG(MSG-ID=VMS4095))
/ BEGIN-VM-DIALOG VM-ID=1 "ESTABLISH CONNECTION TO VM2000 "
/ " ** CHECK CURRENT MEMORY SIZE "
/ EXEC-CMD (SHOW-VM-ATTR VM-ID=2,INF=*MEMORY),STRUCT-OUT=SHVAS
/ IF (SHVAS#.MIN-MEM-SIZE = '*UNDEF')
/ TXT = 'MEMORY CONFIGURATION CURRENTLY NOT POSSIBLE FOR VM-ID=2'
/ GOTO LABEL=ERROR
/ END-IF
/ MIMEMSI=INT(SHVAS#.MIN-MEM-SIZE)
/ IF (SHVAS#.MEM-SIZE = MIMEMSI)
/ TXT = 'CURRENT MEMORY SIZE IS MINIMUM MEMORY SIZE'
/ GOTO LABEL=ERROR
/ END-IF
/ " ** CHECK MEMORY SIZE OF VM-ID=3 "
/ EXEC-CMD (SHOW-VM-ATTR VM-ID=3,INF=*MEMORY),STRUCT-OUT=SHVAS
/ IF (SHVAS#.MIN-MEM-SIZE = '*UNDEF')
/ TXT = 'MEMORY CONFIGURATION CURRENTLY NOT POSSIBLE FOR VM-ID=3'
/ GOTO LABEL=ERROR
/ END-IF
/ " ** REDUCE MEMORY OF VM-ID=2 "
/ REDUCE-VM-MEMORY VM-ID=2,NEW-MEM-SIZE=*MINIMUM
/ IF-CMD-ERROR
/ TXT = 'ERROR IN REDUCE-VM VM-ID=2'
/ GOTO LABEL=ERROR
/ END-IF
/ " ** SYSTEM MUST WAIT FOR VMS4094 OR VMS4095 "
/ WHILE (CONT=TRUE)
/ WAIT-F-PROP-EV EV-NAME=(VMS4094,VMS4095),TIME-LIM=300
/ IF (SYSPOP.MAINCODE <> '0000')
/ TXT = 'ERROR IN WAIT-PROP-EVENT (REDUCE-VM-MEMORY VM-ID=2'
/ SHOW-VARIABLE SYSPOP
/ GOTO LABEL=ERROR
/ END-IF
/ IF ((SYSPOP.EVENT-NAME = 'VMS4094') AND (SYSPOP.IO='2'))
/ CONT=FALSE
/ ELSE-IF ((SYSPOP.EVENT-NAME = 'VMS4095') AND (SYSPOP.IO = '2'))
/ TXT = 'VMS4095 IN REDUCE-VM-MEMORY VM-ID=2'
/ GOTO LABEL=ERROR
/ END-IF
/ END-WHILE

```

```

/ " ** EXTEND MEMORY OF VM3 ***** "
/ EXTEND-VM-MEMORY VM-ID=3,NEW-MEM-SIZE=*MAXIMUM
/ CONT = TRUE
/ WHILE (CONT=TRUE)
/   WAIT-F-PROP-EV EV-NAME=(VMS4094,VMS4095),TIME-LIM=300
/   IF (SYSPOP.MAINCODE <> '0000')
/     TXT = 'ERROR IN WAIT-PROP-EVENT (EXTEND-VM-MEMORY VM-ID=3)'
/     SHOW-VARIABLE SYSPOP
/     GOTO LABEL=ERROR
/   END-IF
/   IF ((SYSPOP.EVENT-NAME = 'VMS4094') AND (SYSPOP.IO='3'))
/     CONT=FALSE
/   ELSE-IF (SYSPOP.EVENT-NAME = 'VMS4095')
/     TXT = 'VMSVMS4095 IN EXTEND-VM-MEMORY VM-ID=3'
/     GOTO LABEL=ERROR
/   END-IF
/ END-WHILE
/ STOP-PROP-EV-MON (VMS4094,VMS4095)
/ IF-CMD-ERROR; END-IF
/ STOP-PROP-OBJ-MON CONSOLE      "SHUT DOWN CONNECTION TO UCON"
/ IF-CMD-ERROR; END-IF
/ " ** NORMALES ENDE "
/ END-BLOCK
/ IF-BLOCK-ERROR      "HANDLE OTHER ERRORS"
/ TXT = 'OTHER ERRORS'
/ GOTO LABEL = ERROR
/ END-IF
/ ERROR:
/ IF (TXT <> 'OK')
/   SEND-MSG TO=OPER,MSG='*** ERROR IN VMMEM: &TXT ***'
/ END-IF
END-PROP-PROCESS      "SHUT DOWN CONNECTION TO PROP-XT"
/ IF-CMD-ERROR
/ END-IF
/ END-VM-DIALOG VM-ID=1      "SHUT DOWN CONNECTION TO VM2000"
/ IF-CMD-ERROR
/ END-IF
/ MOD-JOB-OPTIONS LOG=*PAR(LIST=NO)
/ ASSIGN-SYSLST *PRIMARY
/ EXIT-PROC

```

5.2 Operating a VM

The VM administrator operates a VM in an ADMIN dialog using VM2000 commands. A [Grouping of VM2000 commands according to function](#) is provided on [page 427](#). VM2000 commands are logged, see [page 95](#) and [page 113](#).

A VM administrator for the monitor VM is also the VM2000 administrator. He/she operates and administers the VM2000 system as a whole. He/she can also operate all the other VMs.

Status diagram of a VM

A VM can assume the following **statuses**:

NOT INITIALIZED The VM is not initialized

INIT-ONLY The VM is initialized Resources can now be assigned to the VM, but no guest system has been started yet.

RUNNING The guest system on the VM has been started and is running

IN HOLD (WAIT) The VM is in the wait state, the guest system is idle

DOWN The guest system on the VM is terminated

These statuses are brought about by the following VM2000 commands or events. The commands are described in detail in the following sections.

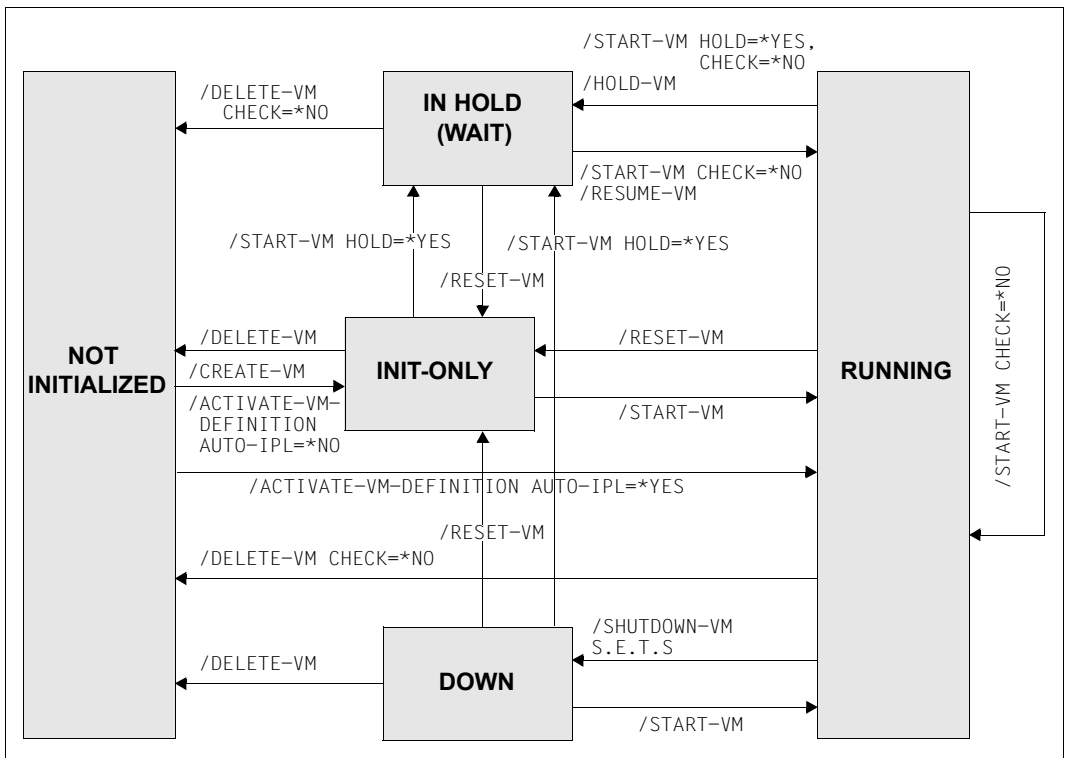


Figure 9: Status diagram of a VM

5.2.1 Initializing a VM

Before a VM can be used, it must first be initialized in VM2000. This first stage of operation is known as **initializing** a VM. A VM is initialized by means of `/CREATE-VM` (VM2000 administrator). This requires that no VM or VM definition has been configured with the specified VM name. The VM administrator is allowed to terminate but not to initialize a VM.



A VM can also be initialized with `/ACTIVATE-VM-DEFINITION` and possibly restarted if a corresponding persistent VM definition exists for this purpose.

Further information on VM definitions is provided in the [section “Working with VM definitions” on page 200](#).

During the initialization process, attributes and resources are assigned to the VM:

- VM index and VM name (identification of the VM)
- Main memory size of the VM
- Minimum and maximum main memory size of the VM for main memory reconfiguration
- Location of the VM in the main memory of VM2000
- CPU quota and maximum CPU utilization of the VM
- Maximum I/O utilization of the VM
- Adding of the VM to a VM group
- Assignment of the VM to a CPU pool
- Multiprocessor level of the VM
- Password for dialog access
- Range of commands available to VM2000 and VM administrators
- Privileges of the VM
- Settings for control over the real CPU
- PERSISTENT attribute

After the successful initialization, the VM has the status INIT-ONLY.



On SU x86 a VM's firmware component is started when the VM is initialized. Despite the INIT-ONLY status, the VM already utilizes a minimal CPU capacity.



The monitor VM is initialized automatically. Its attributes and resources are configured when VM2000 is installed (see [chapter “Installing VM2000” on page 45](#)).

The maximum number of VMs which can be initialized depends on the architecture of the Server Unit, see [page 470](#). It is also displayed when `/SHOW-VM-RESOURCES INFORMATION=*CONFIGURATION` is used.

Identification of the VM

The identification **VM-ID** identifies the VM in the VM2000 commands. The VM-ID can be the **VM index** or the **VM name**. VM index and VM name are assigned to a VM during initialization. These identify a VM unambiguously and can no longer be changed following initialization of the VM.

The VM index is an integer n from 1 to 99 (the upper limit depends on the architecture of the Server Unit) and identifies the VM (VM1 to VM n). The VM2000 administrator can predefine the VM index explicitly. If no VM index is specified (default), VM2000 selects the next free index. The VM index is used to manage a VM internally within VM2000.

The VM name is assigned explicitly by the VM2000 administrator (default). The name should reflect the user or the usage mode of the VM. It should be specified explicitly to avoid standard names which are not very meaningful.

If no VM name is specified, VM2000 assigns the standard name VM00 nn , where nn is the VM index ($nn=01..99$). Initialization of the VM is rejected if a specified VM name corresponds to the standard name of another VM (e.g. VM-INDEX=5, VM-NAME=VM0002) or has already been assigned.

Recommendations for the definition and use of VM names

The VM administrator should use the **VM name** as the VM-ID in procedures. The VM index should be avoided in procedures, as it may change in every session.

The VM name should be unique within a VM2000 installation. The VM name should not be the same as a valid user ID of the monitor system.

x86 The default name (and also the only possible VM name) of the monitor VM on SU x86 is MONITOR.

When a VM is configured on SU x86, the VM name is used as the domain name. The characters #, \$ and @ should therefore no longer be used in the VM name; in the domain name they are replaced by n, s and a.

The VM name may not be the same as the domain name of an existing BS2000 VM or XenVM.

The name ranges for VMs, VM groups and CPU pools should be disjunctive.



If the user of the VM changes (without the VM being terminated and initialized anew), generation of accounting records can be initiated by issuing /MODIFY-VM-ATTRIBUTES and specifying the previous VM name. In such a case VM2000 writes BS2000 accounting records for the relevant VM and for devices assigned to it (see [page 411](#)).

Size of VM main memory

This attribute determines the main memory size for the VM (see [section “Managing main memory” on page 310](#)). The maximum main memory size under VM2000 is 1 Tbyte (terabyte; 1 Tbyte = 1024 Gbytes = 1 048 576 Mbytes).

- 390** On SU /390 a main memory area begins on a 1-Mbyte boundary and its size is a multiple of 1 Mbyte.
- x86** On SU x86 the size of a main memory area is a multiple of 2 Mbytes. In addition to the main memory for a BS2000 guest system, a small amount of a VM’s main memory is required for the firmware component. The main memory of a VM on SU x86 should therefore be at least 1024 Mbytes in size.

Minimum size of VM main memory

The minimum main memory size should only be specified for a VM if the size of the main memory of the VM is to be reduced while the guest system is active (see [page 315](#)).

The minimum main memory size can be increased with `/EXTEND-VM-MEMORY`. On SU /390 it can be decreased (implicitly) with `/REDUCE-VM-MEMORY` (see [page 556](#)).



Note on dimensioning the minimum main memory size

The minimum size of the main memory selected for a VM must be at least large enough to permit the resident memory requirements in the guest system to be satisfied. The resident memory requirement depends on whether the software product DAB is used.

The current utilization of resident memory can be determined by openSM2 from the values of the MEMORY report group (see the “openSM2” manual [9]):

Resident Memory = TOTAL – Pageable Frames .

- x86** On SU x86 the minimum size of a VM’s main memory must be at least 1024 Mbytes, see above.

If the main memory of a VM is reduced to the minimum size, the load on the guest system must be reduced accordingly.

Maximum size of the VM's main memory (SU x86)

The maximum size of the main memory should be defined for a VM only when the main memory of the VM is to be extended while the guest system is active (see [page 315](#)).

If the VM's main memory is not to be extended during ongoing operation, the same value for the main memory should be selected for the maximum size (`MAX-MEMORY-SIZE`) as for the VM's main memory (`MEMORY-SIZE`).

The default value of the maximum size of the main memory is twice the size of the main memory for the VM concerned which is specified by `MEMORY-SIZE`. The maximum size of the VM's main memory is limited by the main memory which is available (output line `TOTAL REAL MEMORY SIZE` in `/SHOW-VM-RESOURCES INFORMATION=*CONFIGURATION`).

A VM can (without a message being issued) also be assigned a smaller main memory size than requested when:

- the requested value (specified explicitly or implicitly by means of the default value) is greater than the main memory which is available
- the minimum size of the VM is too small for the implicit default value (double the size of the VM's main memory)

However, when the value of the maximum size in the latter case is specified explicitly, such a memory combination is rejected (`VMS4093`).

390 On SU /390 the maximum size of a VM's main memory is ignored. A VM can always be extended to the start of the next VM or to the end of the main memory.

Location of the VM in VM2000 main memory

390 On SU /390 this attribute determines the location of the VM in the main memory of VM2000 (see [page 310](#)). The address must be a multiple of 1 Mbyte. If the location is not specified, VM2000 selects a suitable area. The location of the VM in main memory can subsequently be modified by means of `/MOVE-VM`.

x86 On SU x86 the location of a VM need not be changed. Thus only the default value can be specified for this attribute (`*ANY`, the location of the VM in the main memory is not predefined).

CPU quota and maximum CPU utilization of the VM

These parameters determine the longterm distribution of the available CPU capacity on the VMs.

- [390]** On SU /390 the CPU quota determines for a VM which does not belong to a VM group, the VM's share of the CPU capacity of the CPU pool in comparison to the VM groups and the other VMs which do not belong to a VM group. In the case of a VM which belongs to a VM group, the member CPU quota determines this VM's share of the CPU capacity of the CPU pool in comparison with the VMs of the same VM group. The CPU share of a VM can be restricted by the maximum CPU utilization of the VM or VM group.
- [x86]** On SU x86 the VM's CPU quota determines the VM's share of the CPU capacity of the CPU pool in comparison to the other VMs. The CPU share of a VM can be restricted by the maximum CPU utilization of the VM.

Further details can be found in the [section "Planning distribution of the CPU capacity to the VMs" on page 283](#).

The CPU quota and maximum CPU utilization can be modified by means of `/MODIFY-VM-ATTRIBUTES`.

Maximum I/O utilization of the VM

The IO utilization of a VM can be limited by the maximum IO utilization of the VM.

- [390]** On SU /390 the BS2000 subsystem IORM monitors the maximum IO utilization in the IOLVM function, see [page 393](#).
- [x86]** On SU x86 only the default value (100, unlimited utilization) can be used for this attribute.

The maximum IO utilization can be changed using `/MODIFY-VM-ATTRIBUTES`.

Adding the VM to a VM group

A VM can be operated as a VM that does not belong to a VM group or as a member of a VM group.

- [390]** On SU /390 the VM can be added to a VM group when it is created using the `CPU-QUOTA=*BY-VM-GROUP(. . .)` operand. In this event it is assigned a member CPU quota.
- [x86]** VM groups are not available on SU x86.

Assigning the VM to a CPU pool

Every VM is always assigned to precisely one CPU pool.

If the VM does not belong to a VM group, the CPU pool can be freely selected. By default (CPU-POOL-NAME=*STD operand) the VM is assigned to the standard CPU pool when it is created. The assignment of the VM to a CPU pool can be changed using /ASSIGN-VM-TO-CPU-POOL.

If the VM is added to a VM group, (SU /390, CPU-QUOTA=*BY-VM-GROUP(. . .) operand), it is automatically assigned to the VM group’s CPU pool (CPU-POOL-NAME=*STD operand). The assignment of the VM group to a CPU pool can be changed using /ASSIGN-VM-GROUP-TO-CPU-POOL.

Further information on CPU pools is provided in the [section “Managing CPU pools” on page 269](#).

Multiprocessor level of the VM

This attribute defines the number of CPUs on which a VM is to run simultaneously. The following multiprocessor levels are supported by VM2000 (implementation limit):

1	(MONO)	one processor (virtual CPU 0)
2	(BI)	two processors (virtual CPUs 0 and 1)
3	(TRIPLE)	three processors (virtual CPUs 0, 1 and 2)
4	(QUADRO)	four processors (virtual CPUs 0 through 3)
5	(5-Way)	five processors (virtual CPUs 0 through 4)
6	(6-Way)	six processors (virtual CPUs 0 through 5)
7	(7-Way)	seven processors (virtual CPUs 0 through 6)
8	(OCTO)	eight processors (virtual CPUs 0 through 7)
9	(9-Way)	nine processors (virtual CPUs 0 through 8)
.
32	(32-Way)	32 processors (virtual CPUs 0 through 31)

[390] On SU /390 the maximum multiprocessor level is 16.

The multiprocessor level of a VM must be less than or equal to the number of real normal CPUs which can be available for VM2000 operation.

Exception: see the note on the PROCESSOR=*EXTRA-AND-NORMAL operand on [page 268](#).

The virtual CPUs of the VMs that result from this are started up on the available real CPUs, see [section “Scheduling procedure” on page 294](#).

The multiprocessor level of a VM constitutes the upper limit for the maximum CPU utilization, see [page 139](#). For example, a biprocessor-VM can accommodate the CPU capacity of up to two real CPUs.

The multiprocessor level of the monitor VM is set when VM2000 is installed (see [chapter “Installing VM2000” on page 45](#)).

Once a VM has been created, its multiprocessor level can no longer be modified.

Password for administration and operation

This attribute defines a password which must be specified by the VM administrator (in the ADMIN dialog) and the guest system operator (in the VC dialog) when a dialog is opened with `/BEGIN-VM-DIALOG`. If no password is specified, no password is required for `/BEGIN-VM-DIALOG`. The password can subsequently be modified by means of `/MODIFY-VM-ATTRIBUTES`. There are other protective features for operation using a BS2000 console.

Range of commands available to VM2000 and VM administrators

This attribute defines the range of commands available to VM2000 and VM administrators. The range of commands can be restricted (for VM2000 administrators) or extended (for VM administrators); see [page 234](#).

The range of commands can subsequently be modified by means of `/MODIFY-VM-ATTRIBUTES`.

Privileges of the VM

IO-RESET privilege

The IO RESET operation is an extreme measure to overcome problems in the input/output configuration. To do this, the VM must be assigned the privilege `IO-RESET=*YES` (when initializing the VM (see [page 135](#)) or `/MODIFY-VM-ATTRIBUTES`).

- 390 On SU /390 it is recommended that a VM be set up without a privilege (i.e. with `IO-RESET=*NO`) and that the privilege should only be assigned using `/MODIFY-VM-ATTRIBUTES` when required.
- x86 On SU x86 only the default value (`*NO`, no problem correction with IO-RESET) can be used for this attribute.

For a VM with `IO-RESET=*YES`, VM2000 takes the following actions on SU /390:

1. When `/START-VM` is issued (or when the guest system is restarted), a system reset is carried out, similarly to a firmware IPL. In this case, all channels of this VM are reset in the hardware where at least one disk is assigned to the VM (either `EXCL` (exclusive) or `SH(D)` (SHARED, direct I/O)).
2. When resetting a channel via the guest system on the VM (e.g. in the case of local channel reconfiguration), the channel is reset in the hardware.
3. If `/REMOVE-VM-DEVICES` is specified with `FORCE=*YES` (called explicitly or executed during `/DELETE-VM`) all channels to which the device is connected are reset in the hardware as necessary.

For a VM with `IO-RESET=*NO`, resetting channels is emulated by the VM2000 hypervisor for the VM, and no action is taken in the hardware.

Effects on other VMs:

In the three cases listed above, all executing input/output tasks of **other** guest systems on these channels are terminated. Further execution of this guest system depends on the relevant error recovery routine in the guest system.

IO-RESET in the monitor VM:

Measure 2 is always carried out for the monitor VM.

Measure 1 is carried out when the monitor system is restarted if `IO-RESET=*YES` was specified for the monitor VM during its initialization (see [page 135](#)) or with `/MODIFY-VM-ATTRIBUTES`.

IO-PRIORITY privilege

Under VM2000, a VM that goes into the wait state (IDLE) after an input/output has started, for example, transfers the real CPU to another VM that is ready for operation. The input/output that has been started can be terminated in the case of fast cache media, for example, before the VM starts running again on a real CPU. The VM waits until it starts running again on a real CPU as a result of scheduling (see [page 294](#)). It can then process the result of the input/output.

A VM or guest system that is slowed down in this way can counter this effect by means of the `IO-PRIORITY=*YES` privilege.

On SU /390 a VM in the wait state with this privilege is put into operation again on a real CPU immediately on completion of the pending input/output. The guest system can then immediately process the result of the input/output.

The `IO-PRIORITY=*YES` privilege can be assigned when the VM is initialized (see [page 135](#)) or with `/MODIFY-VM-ATTRIBUTES`. It applies to all virtual CPUs of the VM.

390 On SU /390 it is recommended that a VM be set up without a privilege (i.e. with `IO-PRIORITY=*NO`) and that the privilege should only be assigned using `/MODIFY-VM-ATTRIBUTES` when required.

x86 On SU x86 only the default value (`*NO`, no IO prioritization) can be used for this privilege.

The sum of the virtual CPUs of all VMs with the `IO-PRIORITY=*YES` privilege must not be greater than the number of real normal CPUs of the Server Unit.

AUTO-SNAP-ASSIGNMENT privilege

This privilege permits the guest system on a VM to assign itself snap units of a Snapset implicitly without the VM and device being assigned the `ASSIGN-BY-GUEST` privilege or attribute.

ASSIGN-BY-GUEST privilege

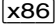
This privilege determines whether the operating can implicitly assign devices of particular assignment sets to the own VM himself/herself (e.g. with `/ATTACH-DEVICE`), see [page 326](#).

To permit implicit device assignment, the VM must have the `ASSIGN-BY-GUEST` privilege for the required assignment sets (when the VM is initialized (see [page 135](#)) or later with `/MODIFY-VM-ATTRIBUTES`).

Each device that is to be implicitly assigned must also have the attribute `ASSIGN-BY-GUEST` (`/MODIFY-VM-DEVICE-ATTRIBUTES`, see [page 538](#)). The device is also assigned to the required assignment set here.

Settings for control over the real CPU

On SU /390 this attribute determines whether, in the event of fixed CPU assignment (dedicated CPUs), a VM still retains control over a real CPU if the VM's virtual CPU which runs on this is inactive (interruptible wait state IDLE).


 On SU x86 only the default value (*NO) can be used for this attribute.

When `VM-ACTIVE-IDLE=*NO` (on SU /390) the VM2000 hypervisor deletes the real CPU assigned if the VM's virtual CPU which runs on this is inactive (interruptible wait state IDLE).

When `VM-ACTIVE-IDLE=*AT-DEDICATED-CPU`, the VM retains control over the real CPU assigned even if the VM's virtual CPU which runs on this is inactive (interruptible wait state IDLE).

In this case additional performance is achieved because no change of context takes place. However, this idle time is then indicated in the VM2000 accounting records, with `/SHOW-VM-STATUS` (`VM-ACTIVE` output column) and in the VM2000 report of openSM2 as a time in which the VM actively uses the real CPU.

This setting provides no additional performance if a large number of I/Os are to be expected for shared disks or on virtual consoles.

 With fixed CPU assignment, `VM-ACTIVE-IDLE=*AT-DEDICATED-CPU` is only effective if the VM's maximum CPU utilization (see [page 139](#)) is not restricted.

The setting can also be modified later using `/MODIFY-VM-ATTRIBUTES`.

PERSISTENT attribute

The PERSISTENT attribute defines whether a persistent VM is created (`PERSISTENT=*YES`). A persistent VM is assigned a persistent VM definition.

The PERSISTENT attribute **cannot** be set for the monitor VM.

A persistent VM definition is also available to a Server Unit after a reboot. With its help a persistent VM is set up again and restarted immediately when the corresponding specification is provided in the `AUTO-IPL` parameter. A persistent VM definition is not deleted with `/DELETE-VM`.

A VM without the PERSISTENT attribute is assigned a non-persistent VM definition. This is deleted with `/DELETE-VM`.

Further information on VM definitions is provided in the [section "Working with VM definitions" on page 200](#).

5.2.2 Monitoring a VM with job variables (MONJV)

Job variables (JVs) are memory areas used for exchanging information. They can be addressed on a command level and on a program level. They have a path name and are stored in the file catalog.

Under VM2000, job variables are used to transfer information from VM2000 to an instance which is to monitor a VM. Virtual machines can thus be monitored using job variables.

When the VM is initialized (see [page 135](#)), a monitoring job variable (MONJV) is defined for this purpose.

The location and validity of the MONJV correspond to the runtime environment of the sender of the command. VM2000 manages and updates the MONJV as long as the VM exists. By using appropriate procedures, the VM2000 administration can automatically react to the information stored in the MONJV and thus facilitate VM2000 administration.

When the VM has been terminated, the MONJV is retained as a user job variable.



The monitor VM cannot be monitored with a MONJV.

VMs initialized with `/ACTIVATE-VM-DEFINITION` can also be monitored with job variables. Detailed information can be found in the [section “Working with VM definitions” on page 200](#).

A prerequisite for working with job variables is the software product JV. This is contained in the software package OSD/XC. For more information on job variables, see the manual “Job Variables” [17], especially the section “Monitoring jobs/programs with job variables”.

For an example of how to use a MONJV to monitor a VM, see [page 150](#).

MONJVs can also be used to monitor VM Migrations and main memory reconfigurations, see [page 185](#) and [page 317](#).

Beginning and end of monitoring

The MONJV used to monitor the VM is configured when the VM is initialized (see [page 135](#)) by specifying the `MONJV` operand. The monitoring of the VM begins at this point; the MONJV is supplied with data by VM2000.

If a MONJV already exists with the specified name, a password can be specified in the operand `JV-PASSWORD` to check for access authorization.

The monitoring ends as soon as the VM is terminated, after migrating the VM or when VM2000 is terminated (implicit `/DELETE-VM VM-ID=*ALL`). Even when the monitoring has finished, the MONJV is retained as a user job variable without MONJV protection.

Protecting the MONJV

The operating system protects the first 128 bytes (system area) of the MONJV from unauthorized write access.

The MONJV itself is protected against deletion of or changes to the protection attributes. To prevent inconsistencies, the BS2000 systems support staff must **not** cancel this protection. If necessary (e.g. if the system has been terminated abnormally in the monitor system without a restart), the MONJV protection can be canceled with:

```
/MODIFY-JV-ATTRIBUTES JV-NAME=<monjv name>,  
                    PROTECTION=*PARAMETERS(MONJV-PROTECTION=*NO)
```

When the VM has been terminated normally, the MONJV is retained as a user job variable (status \$T_) without MONJV protection.

Location of the MONJV

The MONJV can be created on any pubset in the monitor system. Valid catalog and user IDs of the MONJV depend on the runtime environment of the sender of the command.

Command entry from user task

Privileged users (TSOS) can create the MONJV under any user ID they wish. Non-privileged users can only create the MONJV under their own user ID.

If catalog and user IDs are not specified, the MONJV of VM2000 will be shared under the user ID of the sender of the command and created without a password, if no job variable with the specified name already exists there.

Command entry from KVP console or logical console

The sender of the command without an operator logon can only create the MONJV under TSOS.

If catalog and user IDs are not specified, the MONJV of VM2000 will be shared on the home pubset of the monitor system under TSOS and created without a password, if no job variable with the specified name already exists there.

For senders of commands with operator logons, the location is defined, depending on the settings of the operator logon, in the same way as for *Command entry from user task*.

Command entry via \$VMCONS

The user ID and operator role for a command entry via \$VMCONS are: VMCONS-OPERID and VMCONS-OPERATOR-ROLE (see [page 52](#)).

The location of the MONJV is defined, depending on the settings of VMCONS-OPERID and VMCONS-OPERATOR-ROLE, in the same way as for *Command entry from user task*.

*Recommendation*

When preparing to use a MONJV, the VM2000 administration must carry out the relevant administrative actions needed to coordinate the creation of MONJVs and access to the MONJVs.

If, for instance, the same MONJV is accessed by different IDs, it is advisable to have previously configured and made this MONJV known centrally with the appropriate protection attributes. The MONJV must then be addressed in the VM2000 commands and when accessing its contents, by specifying its catalog and user IDs.

Values for the MONJV

A MONJV for a VM comprises a system part (bytes 1-128) and a user part (bytes 129-256). Specific values are entered by VM2000 in the system part of the MONJV at specific times as long as the VM exists.

Byte	Meaning / possible values
1-3	Monitoring status: <ul style="list-style-type: none"> – \$S_L : VM initialization initiated (Creation Started) – \$A_L : VM initialization terminated with error (Creation Aborted) – \$I_L : VM initialized (VM status INIT-ONLY) – \$R_L : VM running (VM status RUNNING) – \$D_L : guest system terminated on the VM (VM status DOWN) – \$H_L : VM stopped (VM status IN HOLD (WAIT)) – \$T_L : VM terminated (Terminated, VM status NOT INITIALIZED)
4	Reserved, has the value zero (0)
5-8	TSN of the job, contains spaces
9-12	Catalog ID of the home pubset of the monitor system (left-aligned, padded with spaces)
13-16	Reserved, contains spaces
17	Type of MONJV: character V (VM2000)
18-20	Current system sequence number (<integer 1..999>)
21-36	Beginning of monitoring (opening the MONJV) in UTC time (format: yyyy-mm-ddhhmmss)
37-70	Reserved
71-78	Name of VM (<name 1..8>, not for status \$S and \$A)
79-81	Index of VM printable (<name 3..3>, e.g. 002)

Structure of monitor job variables for a VM

(part 1 of 2)

Byte	Meaning / possible values
82-86	Status of guest system: <ul style="list-style-type: none"> – NONE_ : guest system not loaded (for \$I and \$T) – START : guest system in startup phase (for \$R and \$H) – READY : guest system has SYSTEM READY (for \$R and \$H) – RSTRT : restart in guest system (for \$R and \$H) – NTERM : guest system terminated with SHUTDOWN (for \$D and \$H) – ATERM : guest system terminated by SETS or VM administrator (for \$D and \$H)
87-94	Migration status of the VM: <ul style="list-style-type: none"> – MIGR-OUT: The VM is being migrated to another Server Unit – (Blank): The VM is not being migrated
95-128	Reserved
129-256	Reserved for users

Structure of monitor job variables for a VM

(part 2 of 2)

Displaying the MONJV

You can query the contents and attributes of the MONJV using the commands and macros for job variables, e.g. /SHOW-JV and /SHOW-JV-ATTRIBUTES (see the “Job Variables” manual [17]).

The name of the MONJV is displayed in the VM2000 commands /SHOW-VM-ATTRIBUTES and /SHOW-VM-RESOURCES using the operand INFORMATION=*MONJV/*ALL as VM-MONJV.

Behavior during Migration of the VM

MONJVs used to monitor VMs are **not** migrated to the target SU during a VM Migration. After the VM has been terminated on the local Server Unit, the MONJV is retained as a user job variable. After successful migration of the VM to the target SU, the MONJV is set to monitoring state \$T (VM terminated).

A migrated VM cannot be monitored with a MONJV.

Behavior when the system is terminated abnormally in the monitor system

MONJVs are retained in the monitor system when the system has been terminated abnormally. They have the same status at first as was set **before** the system was terminated abnormally. When the monitor system is restarted, the MONJVs are updated as soon as possible.



If a VM in the computer network is monitored by a system or a VM outside the monitor VM, the program monitoring it must always take the network status of the monitor VM into consideration. HIPLEX MSCF also offers MONJVs to monitor the network status, see the “HIPLEX MSCF” manual [10], especially the section “Monitoring the network status”.

Without restarting the monitor system

MONJVs remain in the same status (with MONJV protection) as before the system was terminated abnormally. Changes to status cannot be displayed.

In a later session this MONJV can be used again to monitor a VM when initializing a new VM (see [page 135](#)).

With a restart of the monitor system

The MONJVs also remain valid in the session which is initiated by the restart.

If the status of the guest system or of the VM is changed during the restart phase, the MONJVs are updated as soon as the corresponding pubset can be accessed:

- The MONJVs are updated on the home pubset on `SYSTEM READY`.
- MONJVs on a data pubset are updated after the pubset has been imported. If the pubset is still not available after an hour, no further attempt is made to access the MONJVs. If the status of the guest system or the VM changes after this, VM2000 makes another attempt to update the relevant MONJV. For every attempt made to access a MONJV which fails, the message `VMS4343` is output at the BS2000 console of the monitor system.

Example

The following sample procedure can be used, for instance, to execute follow-up processing (e.g. data backup) after the guest systems have been shut down (e.g. using /SHUTDOWN-VM VM-ID=*VM-GUESTS).

```

/SET-PROC-OPT
/" *****"
/" ** PROCEDURE VMCHECK *****"
/" *****"
/" ** THE PROCEDURE IS CALLED UP IN THE MONITOR SYSTEM. "

```

```

/ " ** CHECK VMS AND THEIR STATE "
/ EXEC-CMD (SHOW-VM-RESOURCES INF=*ALL),STRUCT-OUT=SHVMR
/ FOR I=*COUNT(FROM=2, TO= SIZE('SHVMR'), INCR=1 )
/ " ** TERMINATE VMS THAT ARE NOT RUNNING"
/ IF (SHVMR#I.STA NE '*RUN')
/   DELETE-VM VM-ID=&(SHVMR#I.VM-INDEX)
/   IF-CMD-ERROR
/     TXT = 'NO TERMINATION OF VM &(SHVMR#I.VM-INDEX)'
/     GOTO LABEL = ERROR
/   END-IF
/ ELSE      " ** WAIT FOR GUEST SYSTEM TERMINATION **"
/   WAIT-EVENT *JV(((&(SHVMR#I.VM-MONJV),1,2) <> '$R'),TIME-LIM=300)
/   IF-CMD-ERROR
/     TXT = 'NO SHUTDOWN IN VM &(SHVMR#I.VM-INDEX) '
/     GOTO LABEL = ERROR
/   END-IF
/   JVMON = JV(SHVMR#I.VM-MONJV)
/   IF NOT (SUBSTRING(JVMON,1,2) = '$D' AND SUBSTRING(JVMON,82,5) = 'NTERM')
/     TXT = 'VM &(SHVMR#I.VM-INDEX) NOT TERMINATED REGULARLY'
/     SEND-MSG TO=OPER,MSG='*** WARNING IN VMCHECK: &TXT ***'
/     TXT = 'NOT ALL VMS TERMINATED'
/   ELSE
/     DELETE-VM VM-ID=&(SHVMR#I.VM-INDEX)
/   END-IF
/ END-IF
/ END-FOR
/ END-BLOCK MAIN
/ IF-BLOCK-ERROR      "HANDLE OTHER ERRORS"
/   TXT = 'OTHER ERRORS'
/   GOTO LABEL = ERROR
/ END-IF
/ " ** NORMAL END "
/ ERROR:
/ END-VM-DIALOG VM-ID=1      "SHUT DOWN CONNECTION TO VM2000"
/ IF-CMD-ERROR; END-IF
/ IF (TXT = 'OK')
/   SEND-MSG TO=OPER,MSG='*** VMCHECK: ALL GUEST SYSTEMS TERMINATED ***'
/ ELSE
/   SEND-MSG TO=OPER,MSG='*** ERROR IN VMCHECK: &TXT ***'
/ END-IF
/ MOD-JOB-OPTIONS LOG=*PAR(LIST=NO)
/ ASSIGN-SYSLST *PRIMARY
/ END-PROC

```

5.2.3 Managing devices and assignment sets

After a VM has been created (see [page 135](#)), it can be assigned pubsets and other devices. To permit implicit assignment of pubsets and devices by the guest system, the devices envisaged for this are grouped in what are known as assignment sets. The devices from the assignment sets for which a VM is privileged may be assigned (implicitly) to the VM by the guest system. See [section “Peripheral device management” on page 323](#).



`/CREATE-/MODIFY-VM-DEFINITION` can be used to enter devices and assignment sets for the VM in a VM definition. Further information on VM definitions is provided in the [section “Working with VM definitions” on page 200](#).

5.2.4 VM and VM group



VM groups are not available on SU x86.

On SU /390, VMs are added to a VM group by the VM2000 administrator when the VM is created (see [page 135](#)) or during ongoing operation using `/ADD-VM-TO-VM-GROUP`, see the [section “Adding a VM to a VM group” on page 220](#).

A VM is removed from a VM group implicitly by the VM administrator using `/DELETE-VM` or by the VM2000 administrator using `/REMOVE-VM-FROM-VM-GROUP`, see the [section “Removing a VM from a VM group” on page 221](#).



`/CREATE-/MODIFY-VM-DEFINITION` can be used to enter the affiliation of a VM to a VM group in a VM definition. Detailed information can be found in the [section “Working with VM definitions” on page 200](#).

5.2.5 Assigning a VM or a VM group to a CPU pool

VMs which do not belong to VM group are assigned to a CPU pool when the VM is initialized, see [page 140](#). After initialization, the VM2000 administrator can assign a VM which is not assigned to a VM group to another CPU pool during ongoing operation using `/ASSIGN-VM-TO-CPU-POOL`, see the [section “Assigning a VM or VM group to a \(different\) CPU pool” on page 277](#).



`/CREATE-/MODIFY-VM-DEFINITION` can be used in a VM definition to enter the affiliation of a VM to a CPU pool in a VM definition. Detailed information can be found in the [section “Working with VM definitions” on page 200](#).

On SU /390, the VM2000 administrator assigns VM groups to a CPU pool when the VM group is initialized using `/CREATE-VM-GROUP` (`CPU-POOL` operand), see [page 219](#). After initialization, the VM2000 administrator can assign the VM group (with all member VMs) to another CPU pool during ongoing operation using `/ASSIGN-VM-GROUP-TO-CPU-POOL`, see the [section “Assigning a VM or VM group to a \(different\) CPU pool” on page 277](#).

5.2.6 Starting VM administration

After the VM has been initialized, the VM administrator can start the administration dialog with his or her VM (ADMIN dialog from a privileged user task (recommended) or using `$VMCONS`).

The procedure for establishing a connection and the structure of the ADMIN dialog is described in detail in [section “VM2000 Operating strategy” on page 90](#).

The dialog from a privileged user task or using `$VMCONS` is opened with the command `/BEGIN-VM-DIALOG VM-ID=...,PASSWORD=...,TYPE=*STD/*ADMIN(...)`.

Up to 15 ADMIN dialogs can be conducted concurrently for each VM from different, privileged user tasks. In addition, an ADMIN dialog can be conducted for each VM via `$VMCONS`.

If a password for dialog access was defined when the VM was initialized (see [page 135](#)), it must be specified when opening a dialog with `/BEGIN-VM-DIALOG`.

5.2.7 Starting the guest system on a VM

The guest system on a VM can be started by the VM2000 or VM administrator of the VM. Starting the guest system (initial program load, IPL) is initiated with `/START-VM` after creating the VM and assigning the necessary devices. The startup for the guest system on the VM can then be carried out as in native operation (see the “Introduction to System Administration” [2]).



How the monitor system is started is described in the [chapter “Initializing and terminating VM2000” on page 67](#).

`/CREATE-/MODIFY-VM-DEFINITION` can be used in a VM definition to enter details for the automatic start of the guest system when activating the VM definition with `/ACTIVATE-VM-DEFINITION`. Detailed information can be found in the [section “Working with VM definitions” on page 200](#).

x86 On SU x86 the guest system can also be started using the SVP functions of the KVP console which is assigned to the VM (see the manual “Operation and Administration” [19]).

Before starting the guest system on a VM, at least one console device (a KVP console device pair or, on SU /390 a virtual console), the disk devices of the home pubset and the IPL device must be explicitly assigned to it.

If the VM still has implicitly assigned devices when the guest system is started, these devices are removed from the VM.

Exception:

disk devices with diagnostic IPL (`/START-VM DIAGNOSTIC-IPL=*YES`, see [page 328](#))

In order to start the guest system on the VM, the device with the IPL disk device must be specified at the **first** start.




This does not apply for the first startup after `/ACTIVATE-VM-DEFINITION` (without specifying `AUTO-IPL`) if the last IPL device used is entered in the VM definition. The last IPL device used is employed.

390 For SU /390 the IPL device can also be an emulated tape device.

The IPL device must be **exclusively** and **explicitly** assigned. When the guest system is started again, the IPL device used last can be used again with the default value `IPL-UNIT=*STD`.

The following optional specifications can be made:

- Mnemonic device names of the KVP console device pair
If the mnemonic device name is not specified the first time the guest system is started on the VM, VM2000 searches for a KVP console device pair assigned to the VM.
 -  This does not apply for the first startup after /ACTIVATE-VM-DEFINITION if the last IPL console used is entered in the VM definition. The last IPL console used is employed.
 - [390]** If, on SU /390, no KVP console device pair is assigned to the VM, the virtual console of the VM is used.

The virtual console is also used if a KVP device pair is assigned to the VM but the mnemonic device name of the virtual console was specified explicitly for /START-VM or it is entered as the last IPL console used.
- IPL information.
This defines the type of system initialization to be used for initial program loading of the guest system (fast startup, dialog startup or automatic startup).
- **[390]**
Up to 8 bytes of transfer information for the guest system. This corresponds to the specification in the PARM5 field of the corresponding SVP menu.
- Whether a diagnostic IPL is to be executed. At the same time the user can specify whether or not the save area is to be overwritten.
- Whether main memory is to be cleared during initial program loading. The clearing process can be very time-consuming.
- [390]** For a VM with IO-RESET=*YES, VM2000 carries out a system reset at the time of /START-VM as with a firmware IPL.

The values for IPL-UNIT, MAIN-CONSOLE and, on SU x86, the system name (= VM name) are retained for the next startup of the guest system until a VM is shut down or until the VM definition has been deleted. They provide the default values for the next startup.

State of the VM

VM2000 prevents the accidental starting of a VM on which the guest system is still active (CHECK-VM-STATE=*YES).

If the guest system is to be started on a VM in the IN HOLD (WAIT) or RUNNING state, the CHECK-VM-STATE=*NO operand must be specified.

The HOLD operand controls the state of the VM after successful execution of /START-VM. The following states are possible:

- **RUNNING** (operand HOLD=*NO)
x86 Only the default value HOLD=*NO is allowed on SU x86.
- **IN HOLD (WAIT)** (operand HOLD=*YES)

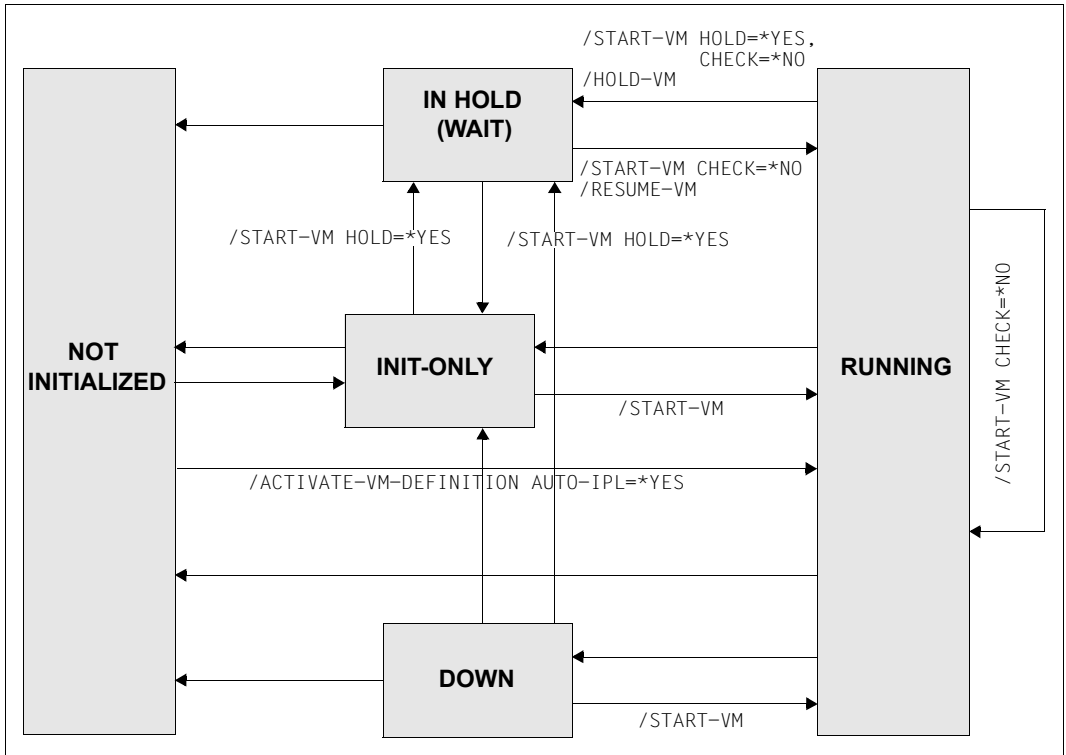


Figure 10: Changing the VM state by means of /START-VM and /ACTIVATE-VM-DEFINITION

5.2.8 Information services

The information services supply information

- for the VM2000 administrator
 - on the distribution of VM2000 resources (/SHOW-VM-RESOURCES)
 - the device status (/SHOW-VM-DEVICE-STATUS)
 - on the assignment sets (/SHOW-VM-ASSIGNMENT-SET)
 - on one-off or periodic monitored data for the overall VM2000 system (/SHOW-VM-STATUS)
 - on the attributes of CPU pools (/SHOW-VM-CPU-POOL)
 - on the attributes of VM groups (/SHOW-VM-GROUP)
 - on the attributes of VM definitions (/SHOW-VM-DEFINITION)
- for the privileged VM administrator
 - on the distribution of VM2000 resources (/SHOW-VM-RESOURCES)
 - the device status (/SHOW-VM-DEVICE-STATUS)
- for the VM administrator
 - on on the attributes of his/her VM (/SHOW-VM-ATTRIBUTES)

You will find examples of the VM2000 information commands and their outputs under the relevant command descriptions in the [chapter “VM2000 commands”](#).

VM2000 supplies output in S variables for all information commands, with the exception of /SHOW-VM-STATUS, when these commands are executed in a user task. The S variables can be evaluated with the software product SDF-P. For the structure of the S variables, see the relevant command descriptions in the [chapter “VM2000 commands”](#).

Information on the resources of VM2000

The attributes of the VMs, the status of the VM2000 resources and VM2000-specific information on the configuration of the Server Unit are shown with /SHOW-VM-RESOURCES, see [page 635](#).

This command is only permitted for the VM2000 administrator and VM administrators with ADMIN-PRIVILEGES=*MAXIMUM.

Information on the device status of VM2000

Using `/SHOW-VM-DEVICE-STATUS` you can display detailed information on the devices and their properties, see [page 614](#).

This command is only permitted for the VM2000 administrator and VM administrators with `ADMIN-PRIVILEGES=*MAXIMUM`.

Information on the assignment sets of VM2000

`/SHOW-VM-ASSIGNMENT-SET` outputs detailed information on the assignment sets and their assignment to the VMs, see [page 575](#).

This command is reserved for the VM2000 administrator.

Information on the VM2000 load

`/SHOW-VM-STATUS` provides the VM2000 administrator with an overview of the current monitored data on active objects under VM2000, see [page 659](#).

The one-off output of monitored data (`PERIOD=*RECENT`) takes place synchronously to command execution and shows the monitored data from the immediate past. The one-off output can be called in parallel by multiple VM2000 administrators.

The periodic output of monitored data (`PERIOD=<integer>`) takes place asynchronously wherever the last `/SHOW-VM-STATUS` command was entered. Periodic output can only be used by one VM2000 administrator. An active `/SHOW-VM-STATUS` command with periodic output will be terminated if a new `/SHOW-VM-STATUS PERIOD=*NO` command is issued from the same input medium (ADMIN dialog of the monitor VM or BS2000 console), by the termination of the associated ADMIN dialog or by a shutdown.

Information on the attributes of CPU pools

`/SHOW-VM-CPU-POOL` outputs detailed information on the CPUs in a CPU pool and the VMs assigned to the CPU pool, see [page 594](#).

This command is reserved for the VM2000 administrator.

Information on the attributes of VM groups (SU /390)

`/SHOW-VM-GROUP` outputs detailed information on the attributes of the VM groups and the associated VMs, see [page 629](#).

This command is reserved for the VM2000 administrator.

Information on VM definitions

`/SHOW-VM-DEFINITION` is used to display detailed information on the attributes, resources, devices and specifications for automatic start of the guest system on the VM which is entered for a VM in the VM definition, see [page 601](#).

This command is reserved for the VM2000 administrator.

Information on the attributes of a VM

The attributes of an initialized VM are output using `/SHOW-VM-ATTRIBUTES`, see [page 578](#).

This command is intended for use by the VM administrator.

5.2.9 Resource management

Resource management during VM2000 operation comprises management

- of the modifiable VM attributes

Using `/MODIFY-VM-ATTRIBUTES`, the VM2000 administrator and VM administrators with `ADMIN-PRIVILEGES=*MAXIMUM` (see [page 235](#)) can modify the attributes of a VM which were defined during VM initialization.

The following changes can be made:

- the CPU quota and the maximum CPU utilization
- the maximum IO utilization
- the password for administration (`/BEGIN-VM-DIALOG`)
- the range of commands available to the VM2000 and VM administrators. The range can be limited (VM2000 administrator) or extended (VM administrator), see [page 234](#)
- the privileges of the VM, see [page 142](#)
- the setting for controlling the real CPU (`SU /390`)
- the scope of the trace entries to be logged
- the setting of the `PERSISTENT` attribute
- the information for automatically starting the guest system on the VM when activating the VM definition

- of peripheral devices for a VM and of the VM2000 devices (see [page 323](#))

The devices and pubsets can be explicitly managed using the following commands:

- `/ADD-VM-DEVICES` (to attach devices to a VM)
- `/REMOVE-VM-DEVICES` (to detach devices from a VM)
- `/SWITCH-VM-DEVICES` (to detach devices from one VM and attach them to another VM).

To permit implicit assignment of devices and pubsets by the guest system, the devices envisaged for this are grouped in what are known as assignment sets. The devices from the assignment sets for which a VM is privileged may be assigned (implicitly) to the VM by the guest system.

Special device properties and the assignment and usage modes can be modified using `/MODIFY-VM-DEVICE-ATTRIBUTES` and `/MODIFY-VM-DEVICE-USAGE`.

- of the main memory for the VM by reconfiguration (see [page 315](#))

The main memory for a VM can be enlarged with `/EXTEND-VM-MEMORY` and reduced with `/REDUCE-VM-MEMORY`.

- 390 On `SU /390`, free main memory areas can also be extended or reduced by moving a VM with `/MOVE-VM` (see [page 165](#)).

- of real CPUs which are available for VM2000 operation (see [page 262](#))
These can be attached using `/ATTACH-VM-RESOURCES` and detached using `/DETACH-VM-RESOURCES`.
- of the (dynamic) CPU pools (see [page 269](#))
The commands defined here can be used to combine real CPUs into disjunctive CPU pools. Virtual machines can be assigned to the CPU pools.

5.2.10 Suspending a VM/resuming operation

A VM in the RUNNING state can be suspended using `/HOLD-VM`. `/RESUME-VM` cancels a previously initiated wait state.



Precautions must be taken for guest systems in the MSCF network to ensure that the guest system is not regarded as failed while it is suspended.



On SU x86 `/HOLD-VM` does not suspend the firmware components of the VM. The VM can still consume a minimal amount of CPU performance.

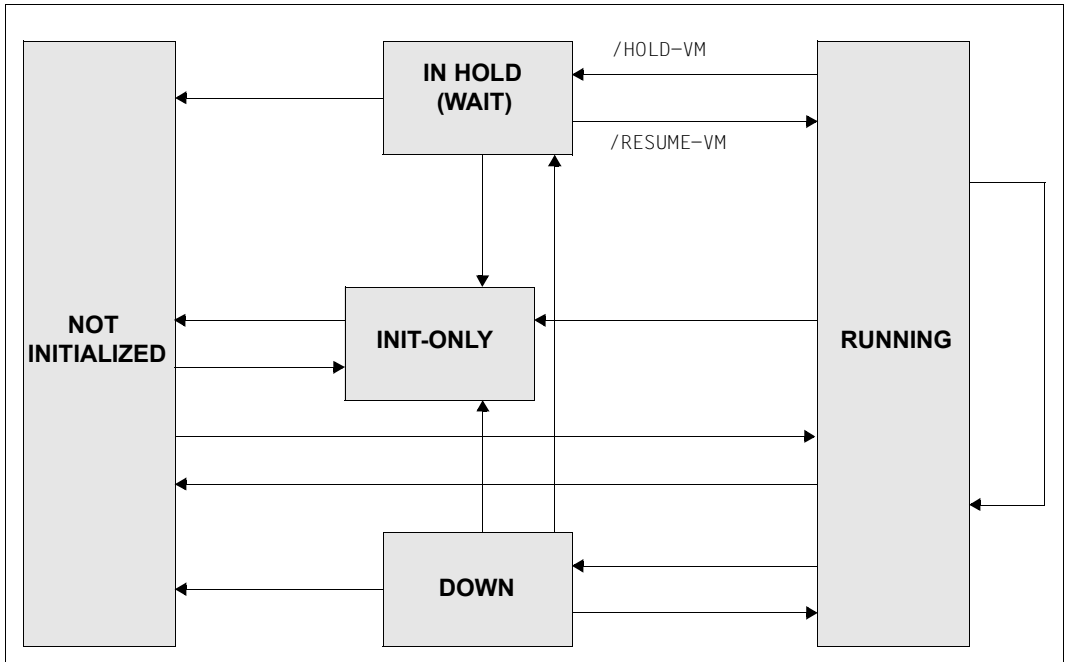


Figure 11: Changing the VM state by means of `/HOLD-VM` and `/RESUME-VM`

There are three different wait states:

- **WAIT (VMA)** initiated by a `/HOLD-VM` from the VM administrator (operand `VM-ID=*CURRENT`). The VM with which the dialog was started using `/BEGIN-VM-DIALOG` is suspended.
- **WAIT (SEL)** initiated by a **selective** `/HOLD-VM` from the VM2000 administrator (operand `VM-ID=2..n`). The VM with the specified VM identification is suspended.
- **WAIT (GLB)** initiated by a **global** `/HOLD-VM` from the VM2000 administrator. (operand `VM-ID=*ALL`). All currently executing VMs (except the monitor VM) are suspended.

These states may also overlap. For instance, a VM can be placed in the `/HOLD-VM` state by the VM administrator and in the global `/HOLD-VM` state by the VM2000 administrator.

The VM administrator can display the wait states of his/her VM using `/SHOW-VM-ATTRIBUTES`. `/SHOW-VM-RESOURCES` displays the states of all VMs for the VM2000 administrator. If there are overlapping wait states, only the wait state with the highest priority (in the order SEL, GLB, VMA) is displayed.

The following table shows the possible changes of state to which a VM can be subjected as a result of suspension.

Command /HOLD-VM	VM2000 administrator global (VM-ID=*ALL)	VM2000 administrator selective (VM-ID=2..n)	VM administrator (VM-ID=*CURRENT)
Old status			
RUNNING	GLB	SEL	VMA
VMA	VMA+GLB	VMA+SEL	VMA
SEL	SEL+GLB	SEL	SEL+VMA
GLB	GLB	GLB+SEL	GLB+VMA
VMA+SEL	VMA+SEL+GLB	VMA+SEL	VMA+SEL
VMA+GLB	VMA+GLB	VMA+GLB+SEL	VMA+GLB
SEL+GLB	SEL+GLB	SEL+GLB	SEL+GLB+VMA
VMA+SEL+GLB	VMA+SEL+GLB	VMA+SEL+GLB	VMA+SEL+GLB

Meaning

RUNNING VM is running.

GLB Global suspension by the VM2000 administrator (VM-ID=*ALL).

SEL Selective suspension by the VM2000 administrator (VM-ID=2..n).

VMA Suspension by the VM administrator (VM-ID=*CURRENT)

Changing states using the RESUME-VM command

The following rules must be observed when canceling a wait state using /RESUME-VM:

- A **selective** /RESUME-VM command from the VM2000 administrator (operand VM-ID=2..n) always imposes the RUNNING state. This cancels all VM wait states.
- A **global** /RESUME-VM command from the **VM2000** administrator (operand VM-ID=*ALL) cancels a global /HOLD-VM command.
- /RESUME-VM from the VM administrator (operand VM-ID=*CURRENT) cancels a /HOLD-VM from the VM administrator.

The following table shows the possible changes of state to which a VM can be subjected by means of /RESUME-VM:

Command /RESUME-VM	VM2000 administrator global (VM-ID=*ALL)	VM2000 administrator selective (VM-ID=2..n)	VM administrator (VM-ID=*CURRENT)
Old status			
RUNNING	RUNNING	RUNNING	RUNNING
VMA	VMA	RUNNING	RUNNING
SEL	SEL	RUNNING	SEL
GLB	RUNNING	RUNNING	GLB
VMA+SEL	VMA+SEL	RUNNING	SEL
VMA+GLB	VMA	RUNNING	GLB
SEL+GLB	SEL	RUNNING	SEL+GLB
VMA+SEL+GLB	VMA+SEL	RUNNING	SEL+GLB

Example

VM2000 administrator	VM administrator of VM2	VM2 status
	/BEGIN-VM-DIALOG VM-ID=2	
	/START-VM VM-ID=2	RUNNING
	/HOLD-VM VM-ID=*CURRENT	VMA
/HOLD-VM VM-ID=*ALL		VMA+GLB
	/RESUME-VM VM-ID=*CURRENT	GLB
/RESUME-VM VM-ID=2		RUNNING
/HOLD-VM VM-ID=*ALL		GLB
/RESUME-VM VM-ID=*ALL		RUNNING

5.2.11 Moving a VM within main memory

x86 On SU x86 the location of a VM need not be changed. /MOVE-VM is not available.

/MOVE-VM enables the VM2000 administrator on SU /390 to (retrospectively) change the location of a VM in main memory from the original location defined during initialization.

Overlapping with the old VM main memory is possible. The new address must be a multiple of 1 Mbyte.

It is possible to protect a guest system BS2000/OSD in the MSCF network from being regarded as failed by MSCF partners while it is being moved.

5.2.12 Sends a message to VM administrators

Messages can be sent to the VM administrators by means of /SEND-VM-MESSAGE, e.g. informing him/her of monitor system shutdown. The message can be directed either to all VM administrators or to a selected VM administrator.

The message text is delivered to the addressed administrators as an insert to the asynchronous message VMS2036.

5.2.13 Modifying the VMCONS parameters

`/MODIFY-VMCONS-PARAMETERS` enables the following \$VMCONS parameters which were set in the parameter file of the VM2-MON subsystem to be modified:

- The OPERID password for the UCON logon of \$VMCONS
- The password for establishing the connection to \$VMCONS

The new passwords are valid for new connections after the command has been executed. Existing connections continue to run unchanged.

The new passwords remain valid until the end of the current session or until the command is entered again. They also remain valid after a restart of \$VMCONS. However, they are no longer available after an automatic restart of the monitor system. Changes for the next session must be made in the parameter file of the VM2-MON subsystem.

5.2.14 Terminating VM administration

You terminate an ADMIN dialog from a privileged user task or via \$VMCONS with the command `/END-VM-DIALOG VM-ID=...,TYPE=*ADMIN`.

When the last (or only) dialog of a connection to \$VMCONS is terminated, you can use the `DISCONNECT` operand to specify whether the connection to \$VMCONS is to be cleared or maintained.

`/END-VM-DIALOG` also clears the connection to \$VMCONS if this is the only connection, i.e. if no dialog has yet been started.

The VM administrator can enter `/END-VM-DIALOG` for his/her VM.

If the VM2000 administrator enters `/END-VM-DIALOG` for a VM other than the monitor VM, all affected dialogs of the VM are terminated, depending on the specification in the `TYPE` operand.

If the VM2000 administrator enters `/END-VM-DIALOG` for the monitor VM **from a BS2000 console**, all ADMIN dialogs of the monitor VM are terminated.

If a VM2000 administrator terminates the ADMIN dialog with the monitor VM, any active `/SHOW-VM-STATUS` command with periodic output from this VM2000 administrator is terminated.

5.2.15 Aborting the guest system on a VM

`/RESET-VM` aborts the guest system on a VM, i.e. the virtual CPUs of the VM are stopped.

The attributes and resources of the VM remain intact. ADMIN and VC dialogs continue to run. Implicitly assigned devices (see [page 326](#)) are, however, removed from the VM. If main memory reconfiguration is being carried out, it is terminated.

[390] On SU /390 the Channel Subsystem Monitoring Facility function is switched off for the guest system.

The following tasks are facilitated with `/RESET-VM`:

- Final termination of a guest system which seems to have failed
- Immediate termination of a test system if shutdown is not wished for or not possible

State of the VM

After execution of `/RESET-VM`, the VM adopts the INIT-ONLY state.

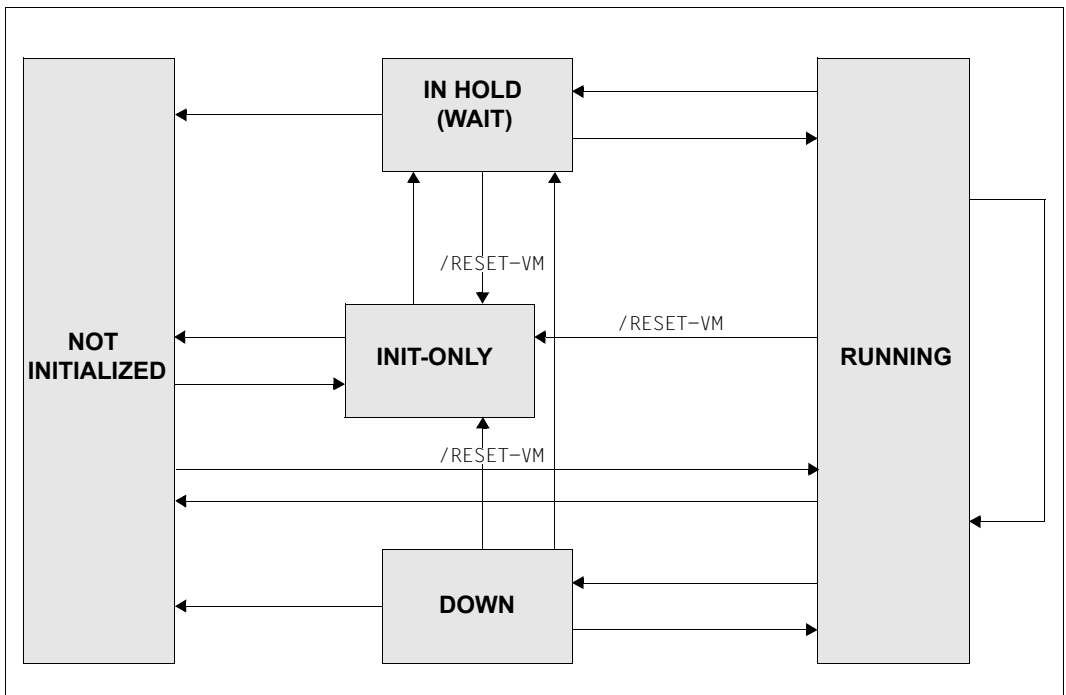


Figure 12: Changing the state of the VM by means of `/RESET-VM`

5.2.16 Shutdown in the guest system and of VM2000

`/SHUTDOWN-VM` is used to execute a shutdown (without a restart) in the selected BS2000 guest systems:

- The VM administrator uses the `VM-ID=*CURRENT` operand to shut down the guest system on his/her VM.
- The VM2000 administrator uses the `VM-ID=<vm-id>` operand to shut down an arbitrary guest system with the exception of the monitor system.
- The VM2000 administrator uses the `VM-ID=*VM-GUESTS` operand to shut down the guest systems of all VMs with the exception of the monitor system.
- The VM2000 administrator uses the `VM-ID=*VM2000` operand to shut down all VMs and last of all the monitor system (coordinated shutdown of VM2000).

Shutdown for a guest system

The shutdown for a BS2000 guest system, with the exception of the monitor system, is initiated by the VM or VM2000 administrator using `/SHUTDOWN-VM . . . ,ACTION=*ENTER-JOB / *SHUTDOWN(. . .)`.

`ACTION=*ENTER-JOB` initiates the shutdown in the guest system by calling the `$TSOS.SYS.VM.SHUTDOWN` command file as an enter job. The command file permits customer specific preparations to be made for the shutdown, e.g. termination of particular applications. The last action of the customer specific preparations must be the BS2000 command `/SHUTDOWN MODE=*NQ / *END(RESTART=*NQ)`. The privilege OPERATING is required for the execution of `/SHUTDOWN` (see [page 94](#)).

`ACTION=*SHUTDOWN(QUIET-TIME=. . .)` initiates the shutdown in the guest system by calling shutdown processing (analogously to the BS2000 command `/SHUTDOWN`). Here the time which the guest system remains in QUIET state (`/SHUTDOWN MODE=*QUIET`) before it is shut down (`/SHUTDOWN MODE=*NQ/*END(RESTART=*NQ)`) is specified in minutes.

Shutdown for a guest system by the SE manager

Following confirmation and depending on the BS2000 system parameter `SYSPROC`, the SE manager either directly initiates the shutdown of BS2000 or starts the `$TSOS.SYSENT.SHUTDOWN` enter job defined for this purpose. A shutdown of the monitor system is only possible after all guest systems have been shut down.

Coordinated shutdown of VM2000

Coordinated shutdown of VM2000 is initiated by the VM2000 administrator and executed in two stages:

1. For all BS2000 guest systems with the exception of the monitor system, the shutdown is initiated as described above.

The monitor system waits for system shutdown in the guest systems. The maximum wait time here is specified in the `WAITING-TIME` operand. The wait time begins with the start of the enter jobs or when shutdown processing is initiated (`MODE=*END`) in the guest systems.



The maximum wait time selected should be greater than the longest `SHUTCTL` wait time in the BS2000 guest systems, see system parameter `SHUTCTL` in the “Introduction to System Administration” [2]. The guest systems can consequently be shut down before the monitor system.

While shutdown is being executed in the guest systems, the monitor system continues to operate normally. VM2000 commands can still be entered. However, the following commands are rejected with the message `VMS2101`:

```
- /BEGIN-VM-DIALOG TYPE=*ADMIN/*BOTH
- /CREATE-VM
- /HOLD-VM (for a VM administrator)
- /SHUTDOWN-VM
- /START-VM . . . ,DIAGNOSTIC-IPL=*NO (“normal” IPL)
- /ACTIVATE-VM-DEFINITION
- /MIGRATE-VM
```

[390] On SU /390 VM2000 also prevents a guest system from restarting.

2. When all guest systems have been shut down (all virtual machines are in the `INIT-ONLY` or `DOWN` state) or after the wait time has elapsed, the monitor system performs the shutdown itself as described above. All other guest systems are shut down implicitly here by means of `/DELETE-VM CHECK-VM-STATE=*NO` regardless of their state. When the monitor system is shut down, VM2000 performs final actions, see [page 83](#).

[390] On SU /390 the shutdown of the monitor system also terminates operation of VM2000 and the Server Unit.

[x86] The SU x86 continues to operate even after the monitor system has shut down. It can be shut down using the SE Manager.

An example of a coordinated shutdown is provided on [page 84](#).

A new IPL can then take place on all Server Units.

Notes on shutdown processing using /SHUTDOWN-VM

- Active backup runs are ignored as if the class-2 system parameter SHUTARCH=N were set in the monitor system and in all the guest systems, see the “Introduction to System Administration” [2].
- If shutdown processing has already been initiated for a VM using /SHUTDOWN-VM VM-ID=<vm-id>/*VM-GUESTS, ACTION=*ENTER-JOB or *SHUTDOWN(. . .) with a significant QUIET-TIME, shutdown processing can then be initiated immediately (MODE=*END) by entering /SHUTDOWN-VM VM-ID=<vm-id>/*VM-GUESTS, ACTION=*SHUTDOWN(QUIET-TIME=0).
- After shutdown processing has been initiated using /SHUTDOWN-VM VM-ID=*VM2000(. . .), VM2000 prevents the monitor system or a guest system from restarting. However, SLED can still be executed.
x86 On SU x86 VM2000 **cannot** prevent the guest system from being started or restarted via the SE manager or by means of the SVP functions of the KVP console which is assigned to the VM.
- When /SHUTDOWN-VM VM-ID=<vm-id>/*VM-GUESTS is followed by a coordinated shutdown of VM2000 by means of /SHUTDOWN-VM VM-ID=*VM2000(. . .) and a shorter QUIET-TIME or QUIET-TIME=0, the QUIET-TIME entered beforehand for the guest system will be reduced accordingly.
- /SHUTDOWN-VM VM-ID=*VM2000(. . .), ACTION=*ENTER-JOB is rejected if /SHUTDOWN-VM VM-ID=<vm-id>/*VM-GUESTS, ACTION=*SHUTDOWN was entered beforehand.

State of the VM

After `/SHUTDOWN-VM` has been executed in the guest system, the VM concerned assumes the **DOWN** state. This state is also assumed after `/SHUTDOWN` or abnormal system termination (**SETS**) in the guest system.

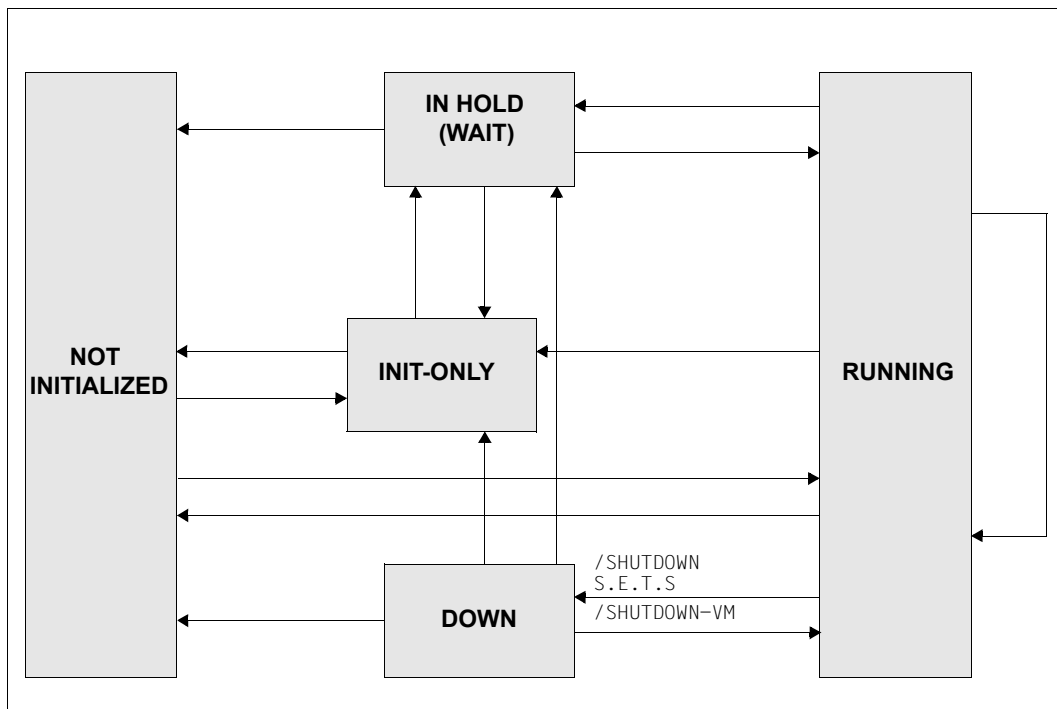


Figure 13: Changing the state of a VM by means of shutdown

5.2.17 Terminating a VM

A VM is terminated with `/DELETE-VM`. The main memory assignment, the device assignment for all devices, the assignment to a CPU pool, the affiliation to a VM group and the initialization of the VM are then cleared down.

x86 On SU x86 the main memory is released asynchronously and this can take several seconds. Only then is the released memory available for other or new VMs.

i The VM definition of a non-persistent VM is deleted. The VM definition of a persistent VM is retained. Further information on VM definitions is provided in the [section “Working with VM definitions” on page 200](#).

`/DELETE-VM` can be issued by the VM administrator for his/her VM. The VM2000 administrator can also terminate all existing VMs, except the monitor VM, with this command.

If `/DELETE-VM` is specified, VM2000 terminates all ADMIN dialogs with the VM and all VC dialogs with the guest system on the VM.

The output of periodic monitored data (`/SHOW-VM-STATUS PERIOD=<integer>`) is terminated for this VM.

Effects on the guest system

`/DELETE-VM . . . ,CHECK-VM-STATE=*NO` terminates an active guest system immediately. As a result, files of the guest system which is running on the VM may be inconsistent. To prevent this from happening, a shutdown should be executed before the VM in the guest system is terminated.

State of the VM

VM2000 prevents the accidental termination of a VM on which the guest system is still active (`CHECK-VM-STATE=*YES`).

If a VM in the IN HOLD (WAIT) or RUNNING state is to be terminated, the `CHECK-VM-STATE=*NO` operand must be specified.

After `/DELETE-VM` has been executed, the VM is in the NOT INITIALIZED state.

A persistent VM is assigned the DEFINED_ONLY state in the SE Manager.

Executing `/DELETE-VM` implicitly executes `/HOLD-VM` first.

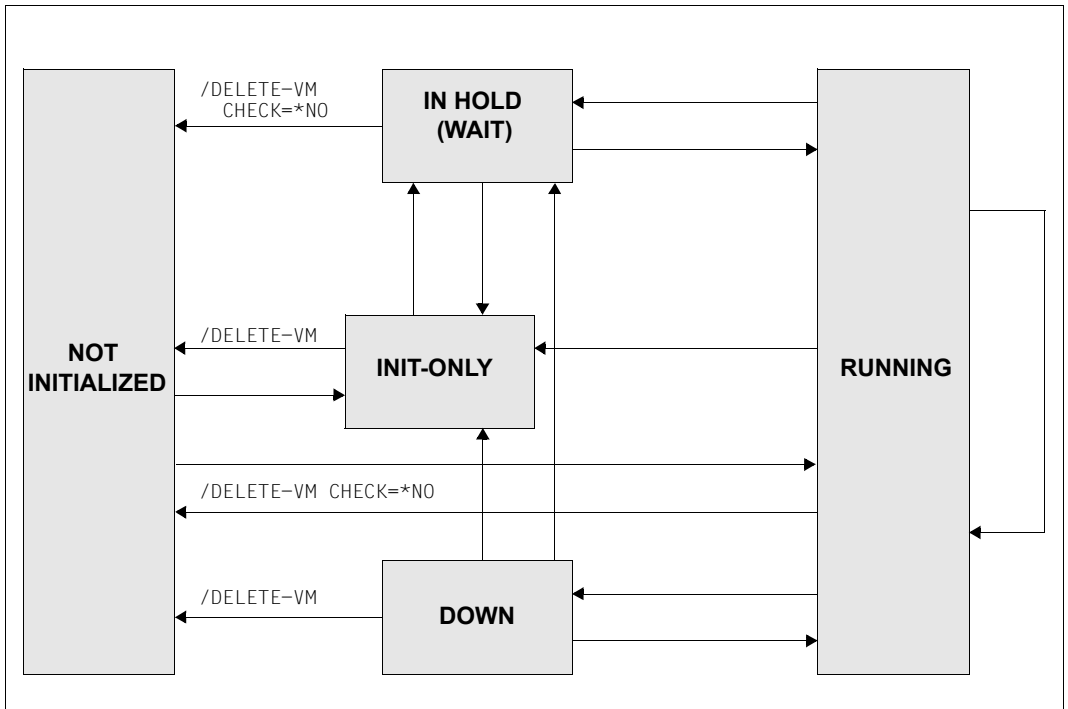


Figure 14: Changing the state of the VM by means of `/DELETE-VM`

5.3 VM Migration

On a Server Unit /390 or x86, a virtual machine can be migrated during guest system operation (VM state `RUNNING`) from the local Server Unit (source SU) to another Server Unit (target SU) of the same type, using the `/MIGRATE-VM VM2000` command, while retaining its resources.

This is called **VM Migration** in this manual. Synonymously, the term **Live Migration** is used in BS2000.

During the VM Migration, the VM is only stopped for a short time. User operation, network transfers and transactions on the guest system continue normally on the target SU.



VMs in `INIT-ONLY` or `DOWN` state can be migrated as well.

The persistent VM definition of a VM that has not been initialized can be migrated using `/MIGRATE-VM-DEFINITION`, see [section “Relocation of the VM definition during VM Migration” on page 183](#).

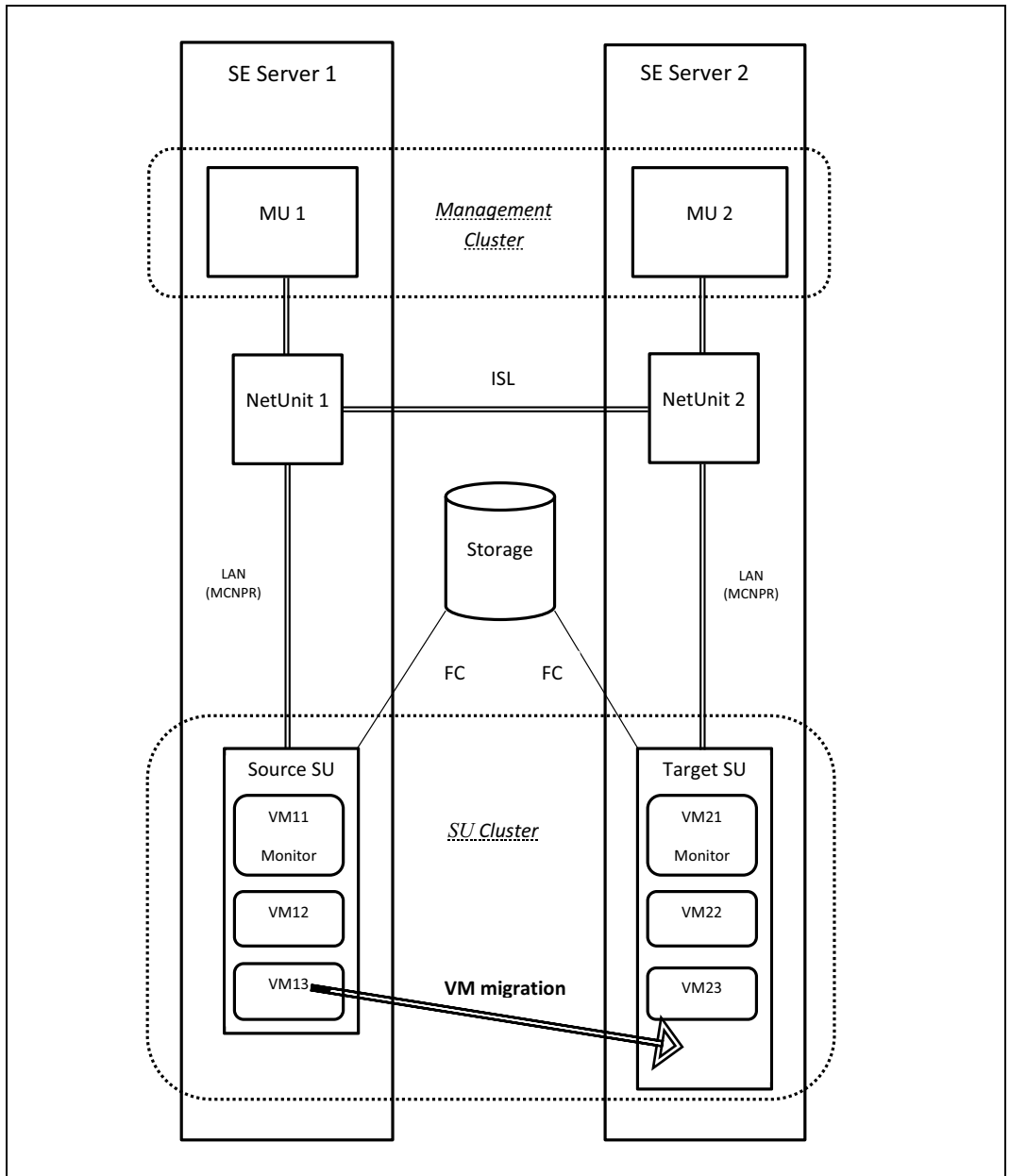


Figure 15: Schematic overview on VM Migration

5.3.1 Prerequisites for the VM Migration

A VM Migration requires the Server Units involved to fulfill some prerequisites. All hard- and software prerequisites are checked by Customer Service and, if necessary, corrected during installation of the SU cluster.



You will find information on hard- and software dependencies in the release notice for VM2000. There, you can also find further information on prerequisites and recommendations for VM Migration.

For a successful VM Migration, the following prerequisites have to be fulfilled in the current operation.


General prerequisite: Source and target SU are in an activated SU cluster.

Prerequisites for SU /390

- The main memory size of the VM2000 hypervisor is large enough on both the source and target SU, see `HYPERVISOR-SIZE` parameter in the [section “Setting the VM2000 parameters in the parameter service” on page 56](#).



If the hypervisor size is insufficient, the VM Migration and, potentially, other hypervisor activities cannot be executed.

- The main memory size of the monitor VM is at least 512 Mbytes on both the source and target SU, see [section “Configuration via the VM2000 configuration file \(SU /390\)” on page 58](#). If the monitor system is working productively, the main memory size must be appropriately higher.
 - The monitor system on both source and target SU has a suitable CPU capacity (multiprocessor VM, sufficient CPU quota, unrestricted CPU utilization).
-  Insufficient main memory size or CPU capacity on the monitor VM prevent the VM Migration from being executed or from being executed efficiently.
- Source and target SU should have comparable I/O configurations. It is best to use an identical, if necessary “over configured”, IOCF, meaning a shared hardware generation for the I/O configurations of both Server Units, which may include connections for BS2000 devices that are not (yet) physically present on one of the SUs. The device configuration must at least be suitable for those devices that are to be allocated to a VM to be migrated.

VM2000 assumes that these prerequisites are met. They are **not** checked in the `/CHECK-VM-MIGRATION` and `/MIGRATE-VM` commands. These only check if the SU cluster is currently active and whether the I/O configurations of the devices allocated to the VM to be migrated are suitable.

Prerequisites for the source SU

- The monitor VM cannot be migrated.
- No other VM Migrations from this source SU and no VM2000 shutdown are currently being executed.
- Additional prerequisite if the VM to be migrated is in DOWN state:
 - The guest system was not terminated abnormally (SETS).
- Additional prerequisites if the VM to be migrated is in RUNNING state:
 - The guest system is ready to operate (“system ready”).
 - The VM has not been stopped with `/HOLD-VM`.
 - The main memory of the VM is not currently being reconfigured.
 - There is currently no dynamic I/O configuration modification going on (SU /390).
 - The guest system supports the “Live Migration”.

VM2000 checks these prerequisites in the `/CHECK-VM-MIGRATION` and `/MIGRATE-VM` commands.

Prerequisites for the target SU

If the prerequisites for the source SU are met, VM2000 checks the following prerequisites for the target SU in the `/CHECK-VM-MIGRATION` and `/MIGRATE-VM` commands.

- There are currently no VM2000 shutdown and no VM Migration to this target SU being executed.
- The VM index (if explicitly stated while the VM was being created) and VM name are available, e.g. they have not been assigned to a different VM.
- The maximum number of VMs and VM definitions (SU x86) has not been reached.
- There is enough main memory for the VM to be migrated.
- If the VM to be migrated is assigned to a VM group (SU /390): the VM group exists.
- The CPU pool of the VM to be migrated or of the respective VM group (SU /390) exists and has at least one attached CPU.
- The assignment sets assigned to the VM to be migrated exist.
- The devices assigned to the VM to be migrated have the same device type on both SUs and can be assigned in the same usage mode (`EXCLUSIVE/SHARED`).
- Additional prerequisites if the VM to be migrated is in `RUNNING` state:
 - There is currently no dynamic I/O configuration modification going on (SU /390).
 - The devices of the VM to be migrated have a compatible path configuration (SU /390).
 - The attached disks of the VM to be migrated are ready to operate.
 - The disk devices of the VM to be migrated should have been generated in the same disk storage system, using the same device number (LUN). Otherwise, the warning `VMS2472` is issued.

5.3.2 Phases of a VM Migration

Execution of a VM Migration requires several individual steps on both the source and target SU. Depending on the size and load profile of the VM to be migrated, the necessary time can vary and can therefore not be calculated in advance. Because of this, the VM Migration with the `/MIGRATE-VM` command is split into two phases:

- **Synchronous** checking of the aforementioned prerequisites on both the source and target SU. If the prerequisites are not met, the caller is informed.

During the synchronous checking, the system identifies which devices of the VM have to be implicitly detached during the asynchronous execution of the VM Migration, see [section “Device management during a VM Migration” on page 182](#). For every device identified device, the warning `VMS2471` is issued.



The prerequisites on the source and target SU can also be checked in advance, using the `/CHECK-VM-MIGRATION` command.

- If all prerequisites for the VM Migration are met or if only warnings have been issued, the **asynchronous** execution of the VM Migration is initiated. Control is given back to the caller.

VM status during the migration

On the source SU, the current status of the VM is displayed in the VM2000 information commands, followed by the `(MIGR)` display, e.g. `RUNNING(MIGR)`. On the target SU, the VM is displayed with the `SETUP(MIGR)` state. See [page 586](#).

VM Migration on SU /390

On SU /390, VM2000 executes the VM Migration on the source and target SU. Messages regarding the VM Migration are output to the console of the monitor system and to the VM2000 administrators of the source and target SU.

On the source SU, the `VMS2450` message indicates the start of the VM Migration. The `VMS2452` message indicates that the VM has been stopped. The `VMS4024` message indicates that the VM has been deleted. The `VMS2451` message indicates that the VM Migration has been completed successfully.

On the target SU, the `VMS2430` message indicates the start of the VM Migration. The `VMS3050` message indicates that the VM has been created. The `VMS2432` message indicates that the VM has been continued. The `VMS2431` message indicates that the VM Migration has been completed successfully.

In case of warnings or errors, informative messages are output on the source and target SU.

VM Migration on SU x86

On SU x86, the VM Migration is executed by Xen/X2000. Messages regarding the VM Migration are output to the console of the monitor system and to the VM2000 administrators of the source and target SU.

On the source SU, the VMS2450 message indicates the start of the VM Migration. The HAL0331 message (only on the guest system console) indicates that the VM has been stopped.

The VMS6021 message indicates that the VM has been deleted.

The VMS2451 message indicates that the VM Migration has been completed successfully.

On the target SU, the VMS6020 message indicates the creation of the VM.

The HAL0332 message (only on the guest system console) indicates that the VM has been continued.

In case of a VM Migration with warnings or errors, informative messages are output on the source and target SU.

5.3.3 CPU management during a VM Migration

If a different number of CPUs is attached to the CPU pool of the target SU than to the CPU pool of the source SU, the multiprocessor level of the migrated VM is adjusted accordingly on the target SU. This procedure has the same effect as executing the `/ASSIGN-VM-TO-CPU-POOL ATTACHED-VM-CPUS=*ADJUST-NUMBER VM2000` command. I.e. Redundant virtual CPUs of the VM are detached and set to BLOCK status. Additionally available virtual CPUs (in BLOCK state) are attached if necessary. See the operand description on [page 449](#).

Exception

Virtual CPUs of the VM that have been detached on the source SU by the guest system using `/DETACH-DEVICE` (they are not in BLOCK state), will not be attached again.



After a VM Migration, the distribution of CPU capacity (CPU quota and maximum CPU utilization) should be reconsidered and, if necessary, optimized on both the target and source SU.

5.3.4 Device configuration for the VM Migration (SU /390)

It is recommended to use the same I/O configuration (IOCF) on both the source and target SU. If this is **not** the case, the migrated VM will be displayed with its current state in the VM2000 information commands of the target SU, followed by (DIFF), e.g. RUNNING(DIFF), see [page 586](#).

The VM will remain in this state until it is migrated back to its original (source) SU or until the persistent VM on the target SU is reactivated using /DELETE-VM and /ACTIVATE-VM-DEFINITION.

In this state and in the following cases, you will face restrictions on the target SU after the VM Migration:

Device management

- If the migrated VM was originally created or activated on the source SU, VM2000 may have to virtualize the subchannel numbers for the VM on the target SU.
- A device that was not generated on the source SU cannot be allocated to a migrated VM on the target SU, also see section “BS2000-IPL” on [page 182](#).

Dynamic configuration modification

- A guest system on a migrated VM in RUNNING(DIFF) state cannot be part of a dynamic configuration modification in the monitor system on the target SU. For this type of guest system, the operator receives the NKR0194 message, which has to be answered.



If the dynamic configuration modification in the monitor system is executed nevertheless, it will not become active in a guest system of this type and can cause I/O problems in the guest system.

- Also, in a guest system on a migrated VM that is not in RUNNING(DIFF) state, some path specific steps of the dynamic configuration modification in the monitor system on the target SU may not be possible to execute. This problem can be solved by starting the guest system on the target SU anew.
- The dynamic configuration modification is one of the prerequisites of the DPAV function of the IORM utility routine. Accordingly, DPAV cannot be executed for a VM in RUNNING(DIFF) state.
- If a VM in RUNNING(DIFF) state is migrated back to its original (source) SU and the I/O configuration of that SU has changed in the meantime (e.g. because of a dynamic configuration modification), the VM remains in . . . (DIFF) state on the original (source) SU as well.

BS2000-IPL

In case of a BS2000 IPL, the I/O configuration of the active IOCF of the local (target) SU is used in the guest system. However, the subchannel configuration of the migrated VM under VM2000 corresponds to the I/O configuration of the source SU on which the VM was last created or activated.

This can lead to the following:

- Devices of the I/O configuration of the local (target) SU that were not part of the I/O configuration of the original (source) SU, cannot be assigned to the VM in `... (DIFF)` state, even after a BS2000 IPL (see section [“Device management” on page 181](#)).
- When a VM in `... (DIFF)` state is migrated back to its original (source) SU, this state is usually deleted. Nevertheless, the devices that were not part of the I/O configuration of the other SU can still not be used in the guest system. They can now be allocated to the VM (no longer in `... (DIFF)` state) but not attached in the guest system. The guest system does not know the devices after the BS2000 IPL on the other SU. This problem can be solved by starting the guest system anew.

5.3.5 Device management during a VM Migration

Performing a VM Migration changes the reconfiguration states of the following devices of the VM:

- Tape devices
- Alias devices (PAV, SU /390)
- Locally emulated disk devices (SU x86) or disk devices emulated on an MU (SU /390)

During the asynchronous execution of the VM Migration, these devices are implicitly detached on the source SU. During the synchronous checking of the prerequisites, the caller receives a warning for each of these devices.

After a successful VM Migration on SU /390, the alias devices are attached again on the target SU. Tape devices and local disk devices remain detached on the target SU.

If the VM Migration was not successful, all of these devices are attached again on the source SU.



When alias devices are detached, they are also removed from the VM. When they are attached, they are reassigned to the VM. Depending on the PAV configuration, alias devices on the source SU can be different from those on the target SU.

5.3.6 Relocation of the VM definition during VM Migration

During a VM Migration, the VM definition of the VM is being copied from the source to the target SU and afterwards deleted on the source SU.

If it is not possible to create the VM definition on the target SU, the VM Migration is discontinued.

If the VM definition cannot be deleted on the source SU, a warning is output to the console of the monitor system and to the VM administrators of the source SU. The VM Migration is still executed. VM2000 will automatically delete the VM definition on the source SU at a later point.



The VM definition of a VM that has not been initialized can be migrated using /MIGRATE-VM-DEFINITION, see [section "Relocation of the VM definition during VM Migration" on page 183](#).

5.3.7 Commands not allowed during a VM Migration

For a VM that is currently being migrated, no actions may be initiated or modifications of the resources performed on either the source or target SU. Consequently some commands are rejected or only partially executed:

- The following VM2000 commands for the VM concerned are rejected with the message VMS3042:
 - /ADD-VM-DEVICES , /REMOVE-VM-DEVICES **and** /SWITCH-VM-DEVICES (FORCE=*NO)
 - /ADD-VM-TO-VM-GROUP **and** /REMOVE-VM-FROM-VM-GROUP (SU /390)
 - /ASSIGN-VM-TO-CPU-POOL
 - /ASSIGN-VM-GROUP-TO-CPU-POOL
(SU /390, if a VM of the VM group is being migrated)
 - /DELETE-VM (CHECK-VM-STATE=*YES)
 - /EXTEND-VM-MEMORY , /REDUCE-VM-MEMORY
 - /HOLD-VM
 - /MODIFY-VM-ATTRIBUTES
 - /MOVE-VM (SU /390)
 - /RESET-VM
 - /SHUTDOWN-VM
 - /START-VM (CHECK-VM-STATE=*YES),
on the target SU also /START-VM (CHECK-VM-STATE=*NO)
- The following VM2000 commands are always rejected during VM Migration with the VMS3042 message:
 - /SAVE-VM-CONFIGURATION
 - /SHUTDOWN-VM VM-ID=*VM2000(...)
- The following VM2000 commands are only partially executed during VM Migration and the message VMS3041 and command return code VMS9005 are output:
 - /DELETE-VM VM-ID=*ALL ,CHECK-VM-STATE=*YES
 - /HOLD-VM VM-ID=*ALL
 - /SHUTDOWN-VM VM-ID=*VM-GUESTS
- On SU /390, the dynamic I/O configuration modification with the /START-CONFIGURATION-UPDATE BS2000 command is generally rejected with the message NKR0197.

5.3.8 Monitoring a VM Migration with job variables (MONJV)

When the VM Migration is initialized by the VM2000 administrator with `/MIGRATE-VM`, a monitoring job variable (MONJV) can be defined.

The location and validity of the MONJV correspond to the runtime environment of the sender of the command. VM2000 manages and updates the MONJV while the VM Migration is running. By using appropriate procedures, the VM2000 administration can automatically react to the information stored in the MONJV and thus facilitate VM2000 administration.

For general information on job variables under VM2000, see [page 145](#).

MONJVs can also be used to monitor a VM and for main memory reconfiguration, see [page 145](#) and [page 317](#).

You can find examples for using MONJV under [page 150](#) and [page 320](#).

Beginning and end of monitoring

The MONJV used to monitor the VM Migration is configured when the VM Migration is initialized with `/MIGRATE-VM` by specifying the operand `MONJV`. The monitoring of the VM Migration begins at this point; the MONJV is supplied with data by VM2000.

If a MONJV already exists with the specified name, a password can be specified in the operand `JV-PASSWORD` to check for access authorization.

As soon as the VM Migration is regularly or irregularly terminated, the monitoring is stopped as well. Even when the monitoring has finished, the MONJV is retained as a user job variable without MONJV protection.

Protecting the MONJV

See the section with this name on [page 146](#).

Location of the MONJV

See the section with this name on [page 146](#).

Values for the MONJV

A MONJV for a VM Migration comprises a system part (bytes 1-128) and a user part (bytes 129-256).

Specific values are entered by VM2000 in the system part of the MONJV at specific times during the execution of the VM Migration.

Byte	Meaning / possible values
1-3	Monitoring status: <ul style="list-style-type: none"> – \$S_L : VM Migration initiated – \$R_L : VM Migration running – \$T_L : VM Migration successfully terminated – \$TW : VM Migration terminated with warnings – \$AE : VM Migration aborted due to error – \$AF : VM Migration rejected
4	Reserved, has the value zero (0)
5-8	TSN of the job, contains spaces
9-12	Catalog ID of the home pubset of the monitor system (left-aligned, padded with spaces)
13-16	Reserved, contains spaces
17	Type of MONJV: character V (VM2000)
18-20	Current system sequence number (<integer 1..999>)
21-36	Beginning of monitoring (opening the MONJV) in UTC time (format: yyyy-mm-ddhhmmss)
37-70	Reserved
71-78	Name of the VM (<name 1..8>)
79	Reserved, has the value zero (0)
80-81	Index of VM printable (<name 2..2>, e.g. 02)
82-89	Name of the target SU (<composed_name 1..8>, possibly shortened)

Structure of monitor job variables for a VM Migration

(part 1 of 2)

Byte	Meaning / possible values
90-128	Only for \$TW and \$AE states: supplementary information For \$TW: VM could not be deleted For \$AE: Aborted after restart of monitor Monitor memory shortage Connection to target SU disturbed Continuation rejected by guest system Continuation by guest system in delay Detach of device <mn> rejected Detach of device <mn> in delay Device <mn> busy Internal error Aborted by VM2000 on target SU Error recovery or reconfig in progress Aborted by VM system VM deleted regardless to its state Too many changing memory pages Hypervisor memory exhausted
129-256	Reserved for users

Structure of monitor job variables for a VM Migration

(part 2 of 2)

Displaying the MONJV

See the section with this name on [page 148](#).

The name of the MONJV is displayed in the VM2000 commands `/SHOW-VM-ATTRIBUTES` and `/SHOW-VM-RESOURCES` using the operand `INFORMATION=*MONJV/*ALL` as `MIGR-MONJV`.

Behavior when the system is terminated abnormally in the monitor system

See the section with this name on [page 149](#).

5.3.9 Example for a VM Migration (SU /390)

Execution on the source SU

```
/migrate-vm vm-id=g4ivo,server-unit-name=d021ze01
% VMS2405 LIVE MIGRATION OF VM (4,G4IVO) IN CURRENT STATE NOT PERMITTED
% VMS2462 REQUIREMENTS FOR LIVE MIGRATION OF VM (4,G4IVO) TO TARGET SU
'D021ZE01' NOT FULFILLED. /MIGRATE-VM REJECTED _____ (1)
```

/show-vm-resources

```
          CPU-POOL(P)
VM-ID      VM-GROUP(G) CPU-Q  MAX-U  PROC  MEM-SIZE  MAX-IO
1 M4IVR    MONGROUP(G)   1.00  80.00  2(+1)   512  (100)
2 G4IVQ    *STDPOOL(P)  25.00 100.00  2(+1)  2048  (100)
3 G4IVP    USRGROUP(G)   2.00 100.00  2(+1)  3072  100
4 G4IVO    USRGROUP(G)   2.00 100.00  2(+1)  2048  (100)
5 G4IVJ    *STDPOOL(P)   5.00 100.00  1(+1)   256  ( 50)

VM-ID      STATE          VERSION PER ADMIN PRIV
1 M4IVR    RUNNING        V11.0A NO YES  IO-R,AG,AS
2 G4IVQ    RUNNING        V10.0A YES NO   AG,AS
3 G4IVP    RUNNING        V11.0A YES NO   AG,AS
4 G4IVO    RUNNING        V10.0A YES NO   AG,AS _____ (2)
5 G4IVJ    RUNNING        V10.0A NO  NO
```

```
F R E E      VM: 10          LARGEST-DOMAIN(MB): 7920
```

```
/migrate-vm vm-id=g4ivo,server-unit-name=d021ze01
VMS2471 DEVICE '9940' WILL BE DETACHED BY LIVE MIGRATION
VMS2471 DEVICE '9941' WILL BE DETACHED BY LIVE MIGRATION
VMS2471 DEVICE '9942' WILL BE DETACHED BY LIVE MIGRATION _____ (3)
VMS2450 LIVE MIGRATION OF VM (4,G4IVO) TO TARGET SU 'D021ZE01' STARTED - (4)
```

- (1) The guest system on the VM is still in the startup phase. A VM Migration is not possible.
If an obstacle is already detected on the source SU, no checks will be performed on the target SU. There will also be no warnings as in the following command `MIGRATE-VM`.
- (2) The guest system (V10.0) on the VM is now ready to operate and is to be migrated.
- (3) Warnings: Alias devices are automatically detached and removed from the VM during VM Migration.
- (4) Synchronous checking of the prerequisites for the VM Migration has been successfully completed. The asynchronous VM Migration is initiated.

/show-vm-resources

```
VMS4009 DEVICE '9940' REMOVED FROM VIRTUAL MACHINE (4,G4IVO) (BY GUEST)
VMS4009 DEVICE '9941' REMOVED FROM VIRTUAL MACHINE (4,G4IVO) (BY GUEST)
VMS4009 DEVICE '9942' REMOVED FROM VIRTUAL MACHINE (4,G4IVO)
(BY GUEST) _____ (5)
```

```
CPU-POOL(P)
VM-ID      VM-GROUP(G)  CPU-Q   MAX-U  PROC   MEM-SIZE  MAX-IO
1 M4IVR    MONGROUP(G)  1.00   80.00  2(+1)   512      (100)
2 G4IVQ    *STDPOOL(P)  25.00  100.00  2(+1)   2048     (100)
3 G4IVP    USRGROUP(G)  2.00   100.00  2(+1)   3072     100
4 G4IVO    USRGROUP(G)  2.00   100.00  2(+1)   2048     (100)
5 G4IVJ    *STDPOOL(P)  5.00   100.00  1(+1)   256      ( 50)
```

```
VM-ID      STATE          VERSION PER ADMIN PRIV
1 M4IVR    RUNNING        V11.0A NO  YES  IO-R,AG,AS
2 G4IVQ    RUNNING        V10.0A YES NO   AG,AS
3 G4IVP    RUNNING        V11.0A YES NO   AG,AS
4 G4IVO    RUNNING(MIGR)  V10.0A YES NO   AG,AS _____ (6)
5 G4IVJ    RUNNING        V10.0A NO  NO
```

```
F R E E      VM: 10          LARGEST-DOMAIN(MB): 7920
```

/show-vm-definition vm-id=g4ivo

```
CPU-POOL(P)
VM-ID      ACT PER HA  VM-GROUP(G)  PROC   MEM-SIZE  MAX-IO
- G4IVO    YES YES NO  USRGROUP(G)  2      2048     100 _____ (7)
```

- (5) Asynchronous messages on the source SU: The alias devices of the VM are automatically detached and removed from the VM.
- (6) During the VM Migration, the VM is displayed in ... (MIGR) state on the monitor system of the source SU.
- (7) The persistent VM definition of the VM still exists on the source SU.

/show-vm-resources

```

VMS2452 VM (4,G4IVO) SUSPENDED AT LIVE MIGRATION TO
      TARGET SU 'D021ZE01' _____ (8)
VMS4009 DEVICE 'CL' REMOVED FROM VIRTUAL MACHINE (4,G4IVO)
VMS4009 DEVICE 'CM' REMOVED FROM VIRTUAL MACHINE (4,G4IVO)
...
VMS4009 DEVICE 'FC15' REMOVED FROM VIRTUAL MACHINE (4,G4IVO)
VMS4429 VIRTUAL MACHINE (4,G4IVO) REMOVED FROM VM GROUP 'USRGROUP'
VMS4619 VIRTUAL MACHINE (4,G4IVO) REMOVED FROM CPU POOL 'USRCPOOL'
VMS4024 VIRTUAL MACHINE (4,G4IVO) TERMINATED _____ (9)
VMS2451 LIVE MIGRATION OF VM (4,G4IVO) TO
      TARGET SU 'D021ZE01' COMPLETED _____ (10)

```

CPU-POOL(P)						
VM-ID	VM-GROUP(G)	CPU-Q	MAX-U	PROC	MEM-SIZE	MAX-IO
1	M4IVR	MONGROUP(G)	1.00	80.00	2(+1)	512 (100)
2	G4IVQ	*STDPOOL(P)	25.00	100.00	2(+1)	2048 (100)
3	G4IVP	USRGROUP(P)	2.00	100.00	2(+1)	3072 100
5	G4IVJ	*STDPOOL(P)	5.00	100.00	1(+1)	256 (50)

VM-ID	STATE	VERSION	PER ADMIN	PRIV
1	M4IVR	RUNNING	V11.0A NO YES	IO-R,AG,AS
2	G4IVQ	RUNNING	V10.0A YES NO	AG,AS
3	G4IVP	RUNNING	V11.0A YES NO	AG,AS
5	G4IVJ	RUNNING	V10.0A NO NO	

```

F R E E      VM: 11          LARGEST-DOMAIN(MB): 9968 _____ (11)

```

/show-vm-definition vm-id=g4ivo

```

VMS2300 DEFINITION OF VM 'G4IVO' DOES NOT EXIST _____ (12)

```

- (8) The VM has been stopped on the source SU.
- (9) The VM has been terminated on the source SU.
- (10) The VM Migration has been terminated (asynchronous termination message by /MIGRATE-VM).
- (11) The VM is no longer displayed in the VM list. The number of free VMs increases because of this.
- (12) The persistent VM definition of the VM no longer exists on the source SU.

Execution on the target SU

```

/show-vm-resources _____ (13)
      CPU-POOL(P)
VM-ID   VM-GROUP(G) CPU-Q   MAX-U   PROC   MEM-SIZE  MAX-IO
 1 M4IVV   *STDPOOL(P) 20.00  100.00 2(+1)    512 (100)
 2 G4IVK   *STDPOOL(P) 10.00   10.00 1(+1)    512 ( 50)
 3 G4IVL   *STDPOOL(P) 45.00  100.00 4(+1)   2048 (100)
 4 G4IVM   USRGROUP(G)  4.00  100.00 4(+1)   4096 (100)
 5 G4IVN   USRGROUP(G)  1.00  100.00 1(+1)    128 (100)

VM-ID   STATE          VERSION PER ADMIN PRIV
 1 M4IVV  RUNNING        V11.0A NO  YES  IO-R,AS
 2 G4IVK  RUNNING        V10.0A NO  NO
 3 G4IVL  RUNNING        V10.0A NO  NO  AG,AS
 4 G4IVM  RUNNING        V10.0A YES NO  AS
 5 G4IVN  RUNNING        V10.0A YES NO  AS

F R E E   VM: 10          LARGEST-DOMAIN(MB): 8560

```

(13) Prior to the VM Migration, 5 VMs are running on the target SU. 10 further VMs can be created.

/show-vm-resources

```

VMS2430 LIVE MIGRATION OF VM ( ,G4IVO) FROM SOURCE SU 'D020ZE01' STARTED
VMS3050 VIRTUAL MACHINE (6,G4IVO) CREATED
VMS4615 VIRTUAL MACHINE (6,G4IVO) ASSIGNED TO CPU POOL 'USRCPOOL'
VMS4425 VIRTUAL MACHINE (6,G4IVO) ASSIGNED TO VM GROUP 'USRGROUP'
VMS4005 DEVICE 'CL' ASSIGNED TO VIRTUAL MACHINE (6,G4IVO)
VMS4005 DEVICE 'CM' ASSIGNED TO VIRTUAL MACHINE (6,G4IVO)
...
VMS4005 DEVICE 'T1' ASSIGNED TO VIRTUAL MACHINE (6,G4IVO) _____ (14)
      CPU-POOL(P)
VM-ID      VM-GROUP(G)  CPU-Q   MAX-U   PROC   MEM-SIZE  MAX-IO
  1 M4IVV      *STDPOOL(P)  20.00  100.00  2(+1)   512 (100)
  2 G4IVK      *STDPOOL(P)  10.00   10.00  1(+1)   512 ( 50)
  3 G4IVL      *STDPOOL(P)  45.00  100.00  4(+1)  2048 (100)
  4 G4IVM      USRGROUP(G)   4.00  100.00  4(+1)  4096 (100)
  5 G4IVN      USRGROUP(G)   1.00  100.00  1(+1)   128 (100)
  6 G4IVO      USRGROUP(G)   2.00  100.00  2(+1)  2048 (100)

VM-ID      STATE          VERSION PER ADMIN PRIV
  1 M4IVV    RUNNING        V11.0A NO YES  IO-R,AS
  2 G4IVK    RUNNING        V10.0A NO NO
  3 G4IVL    RUNNING        V10.0A NO NO  AG,AS
  4 G4IVM    RUNNING        V10.0A YES NO  AS
  5 G4IVN    RUNNING        V10.0A YES NO  AS
  6 G4IVO    SETUP(MIGR)          YES NO  AG,AS _____ (15)

F R E E      VM: 9          LARGEST-DOMAIN(MB): 6512

```

- (14) Start of the VM Migration and additional asynchronous messages during creation of the VM.
- (15) During the VM Migration, the VM is displayed in `SETUP(MIGR)` state on the monitor system of the target SU. The number of free VMs decreases because of the VM Migration.

/show-vm-resources

```

VMS2432 VM (6,G4IVO) RESUMED AT LIVE MIGRATION FROM
SOURCE SU 'D020ZE01' _____ (16)
VMS4621 IMPLICIT DETACH-DEVICE FOR VIRTUAL CPUS ON
VIRTUAL MACHINE (6,G4IVO) STARTED
VMS2037 NON-INTERRUPTIBLE WAIT STATE FOR VIRTUAL MACHINE (6,G4IVO),
CODE 80FFFFFF, CPU 01
VMS2011 CPU 01 OF VIRTUAL MACHINE (6,G4IVO) STOPPED
VMS2023 CPU 02 OF VIRTUAL MACHINE (6,G4IVO) STARTED _____ (17)
VMS4005 DEVICE '9940' ASSIGNED TO VIRTUAL MACHINE (6,G4IVO) (BY GUEST)
VMS4005 DEVICE '9941' ASSIGNED TO VIRTUAL MACHINE (6,G4IVO) (BY GUEST)
VMS4005 DEVICE '9942' ASSIGNED TO VIRTUAL MACHINE (6,G4IVO)
(BY GUEST) _____ (18)
VMS2431 LIVE MIGRATION OF VM (6,G4IVO) FROM SOURCE SU 'D020ZE01'
COMPLETED _____ (19)
CPU-POOL(P)
VM-ID VM-GROUP(G) CPU-Q MAX-U PROC MEM-SIZE MAX-IO
1 M4IVV *STDPOOL(P) 20.00 100.00 2(+1) 512 (100)
2 G4IVK *STDPOOL(P) 10.00 10.00 1(+1) 512 ( 50)
3 G4IVL *STDPOOL(P) 45.00 100.00 4(+1) 2048 (100)
4 G4IVM USRGROUP(G) 4.00 100.00 4(+1) 4096 (100)
5 G4IVN USRGROUP(G) 1.00 100.00 1(+1) 128 (100)
6 G4IVO USRGROUP(G) 2.00 100.00 2(+1) 2048 (100)

VM-ID STATE VERSION PER ADMIN PRIV
1 M4IVV RUNNING V11.0A NO YES IO-R,AS
2 G4IVK RUNNING V10.0A NO NO
3 G4IVL RUNNING V10.0A NO NO AG,AS
4 G4IVM RUNNING V10.0A YES NO AS
5 G4IVN RUNNING V10.0A YES NO AS
6 G4IVO RUNNING(DIFF) V10.0A YES NO AG,AS _____ (20)

F R E E VM: 9 LARGEST-DOMAIN(MB): 6512

```

(16) The VM resumes operation on the target SU.

(17) Because the relevant CPU pool on the target SU has only one real CPU, a CPU reconfiguration is performed in the guest system. The normal CPU 01 is detached. The spare CPU 02 is started because the VM now only runs in the MONO multiprocessor level.

(18) The alias devices are automatically attached and implicitly assigned to the VM.

(19) The VM Migration is complete.

(20) The VM now runs on the target SU. The I/O configurations of source and target SU are different from each other. The VM continues to run with its original (virtualized) I/O configuration.

```
/show-vm-definition vm-id=g4ivo
```

```

                                CPU-POOL(P)
VM-ID          ACT PER HA  VM-GROUP(G)  PROC  MEM-SIZE  MAX-IO
- G4IVO        YES YES NO  USRGROUP(G)  2      2048     100  _____ (21)

```

(21) The persistent VM definition of the VM now exists on the target SU.

Console outputs of the monitor system on the source SU

```

%VM2M-000.141533 % VMS2450 LIVE MIGRATION OF VM (4,G4IVO) TO
                   TARGET SU 'D021ZE01' STARTED
%XAAM-000.141612 % VMS2452 VM (4,G4IVO) SUSPENDED AT LIVE MIGRATION TO
                   TARGET SU 'D021ZE01'
%VM2M-000.141613 % VMS4024 VIRTUAL MACHINE (4,G4IVO) TERMINATED
%VM2M-000.141614 % VMS2451 LIVE MIGRATION OF VM (4,G4IVO) TO
                   TARGET SU 'D021ZE01' COMPLETED

```

Console outputs of the monitor system on the target SU

```

%VM2M-000.141535 % VMS2430 LIVE MIGRATION OF VM ( ,G4IVO) FROM
                   SOURCE SU 'D020ZE01' STARTED
%VM2M-000.141535 % VMS3050 VIRTUAL MACHINE (6,G4IVO) CREATED
%VM2T-000.141612 % VMS2432 VM (6,G4IVO) RESUMED AT LIVE MIGRATION FROM
                   SOURCE SU 'D020ZE01'
%VM2G-000.141612 % VMS4621 IMPLICIT DETACH-DEVICE FOR VIRTUAL CPUS ON
                   VIRTUAL MACHINE (6,G4IVO) STARTED
%VM2G-000.141612 % VMS2037 NON-INTERRUPTIBLE WAIT STATE FOR
                   VIRTUAL MACHINE (6,G4IVO), CODE 80FFFFFF, CPU 01
%VM2G-000.141612 % VMS2011 CPU 01 OF VIRTUAL MACHINE (6,G4IVO) STOPPED
%VM2G-000.141615 % VMS2023 CPU 02 OF VIRTUAL MACHINE (6,G4IVO) STARTED
%VM2T-000.141617 % VMS2431 LIVE MIGRATION OF VM (6,G4IVO) FROM
                   SOURCE SU 'D020ZE01' COMPLETED

```

Excerpt from the CONSLOG file of the migrated guest system

```

<R %DRT0-000.141531 % MCS1048 SYSTEM COMPONENT 'ETMDR' REQUESTS CLUSTER
RECOVERY LOCK
<R %DRT0-000.141531 % MCS1112 SYSTEM COMPONENT 'ETMDR' HOLDS CLUSTER
RECOVERY LOCK
<* %DRT0-000.141531 % ETMDR01 DYNAMIC RECONFIGURATION WITH FUNCTION
'MIGRATE' STARTED _____ (22)
<* %XACC-000.141531 % NKRO074 ALIAS DEVICE '9940' UNLINKED FROM BASE DEVICE
'9930' _____ (23)
<G % MSG-000.141531 % NKRO045 *** 'DEVICE =9940' DETACHED ***
<* %XACD-000.141532 % NKRO074 ALIAS DEVICE '9941' UNLINKED FROM BASE DEVICE
'9931'
<G % MSG-000.141532 % NKRO045 *** 'DEVICE =9941' DETACHED ***
<* %XACE-000.141533 % NKRO074 ALIAS DEVICE '9942' UNLINKED FROM BASE DEVICE
'9932'
<G % MSG-000.141533 % NKRO045 *** 'DEVICE =9942' DETACHED ***
<* %0JNO-000.141546 % SVTS005 Service $REWSERV01829172: Normal termination
<W %0JNO-000.141546 % EXC0420 /LOGOFF PROCESSED. CPU TIME USED: 0.1526 SEC,
USER ID: SYSHSMS, TASK ID: 000100BB, JOB NAME: REWSERV
<* %0JNK-000.141609 % SVTS005 Service $REWMONG: Normal termination
<W %0JNK-000.141609 % EXC0420 /LOGOFF PROCESSED. CPU TIME USED: 0.3724 SEC,
USER ID: SYSWSA, TASK ID: 000100AC, JOB NAME: REWMONG _____ (24)
<C %BCAM-000.141616 % BCA0558 CHECKSUM done implicitly by BCAM for VLAN-
LINE "L2#MCNPR"
<* % MSG-000.141616 % ETMRK19 CPU 01 DETACHED *****
***** _____ (25)
<G % MSG-000.141616 % NKRO042 'DEVICE =9940': ATTACH ACCEPTED _____ (26)
<G % MSG-000.141616 % NKRO042 'DEVICE =9941': ATTACH ACCEPTED
<G % MSG-000.141616 % NKRO042 'DEVICE =9942': ATTACH ACCEPTED
<C %BCAM-000.141616 % BCA05EE VLAN-LINE "L2#MCNPR" inactive reason: 09
<R %DRT0-000.141616 % MCS1049 SYSTEM COMPONENT 'ETMDR' RELEASES CLUSTER
RECOVERY LOCK
<C %BCAM-000.141616 % BCA0571 IPV6-ADDRESS
FD5E:5E5E:600:0:219:99FF:FE9C:7253 switched to VLAN-LINE "L1#MCNPR"
<C %BCAM-000.141616 % BCA07B2 ROUTE(S) SWITCHED FROM LINE "L2#MCNPR" TO
LINE "L1#MCNPR"; REASON: "1"

```

- (22) Start of the VM Migration.
- (23) The alias devices are automatically detached.
- (24) The services of the REWAS subsystem are terminated.
- (25) Automatic CPU reconfiguration after the VM Migration.
- (26) The alias devices are automatically attached.

```

<* %XACF-000.141616 % NKRO073 ALIAS DEVICE '9940' LINKED TO BASE DEVICE
'9930'
<G % MSG-000.141616 % NKRO040 'DEVICE      =9940' ATTACHED
<* %XACG-000.141616 % NKRO073 ALIAS DEVICE '9941' LINKED TO BASE DEVICE
'9931'
<* %DRTO-000.141616 % ETMDR02 DYNAMIC RECONFIGURATION WITH FUNCTION
'MIGRATE' FINISHED
<C %BCAM-000.141616 % BCA0554 MULTICAST MODE SWITCHED OFF for VLAN-LINE
"L2#MCNPR"
<C %BCAM-000.141616 % BCA0558 CHECKSUM done implicitly by BCAM for VLAN-
LINE  "L2#MANPU"
<C %BCAM-000.141616 % BCA05EE VLAN-LINE "L2#MANPU" inactive reason: 09
<C %BCAM-000.141616 % BCA0571 IP-ADDRESS 1.1.67.33 switched to VLAN-LINE
"L1#MANPU"
<C %BCAM-000.141616 % BCA0554 MULTICAST MODE SWITCHED OFF for VLAN-LINE
"L2#MANPU"
<C %BCAM-000.141616 % BCA0558 CHECKSUM done implicitly by BCAM for VLAN-
LINE  "L1#MCNPR"
<C %BCAM-000.141616 % BCA05EE VLAN-LINE "L1#MCNPR" inactive reason: 09
<G % MSG-000.141616 % NKRO040 'DEVICE      =9941' ATTACHED
<* %XACH-000.141616 % NKRO073 ALIAS DEVICE '9942' LINKED TO BASE DEVICE
'9932'
<G % MSG-000.141616 % NKRO040 'DEVICE      =9942' ATTACHED
<C %BCAM-000.141616 % BCA0552 BROADCAST MODE SWITCHED OFF for VLAN-LINE
"L1#MCNPR"
<C %BCAM-000.141616 % BCA0554 MULTICAST MODE SWITCHED OFF for VLAN-LINE
"L1#MCNPR"
<C %BCAM-000.141616 % BCA0558 CHECKSUM done implicitly by BCAM for VLAN-
LINE  "L1#MANPU"
<C %BCAM-000.141616 % BCA05EE VLAN-LINE "L1#MANPU" inactive reason: 09
<C %BCAM-000.141616 % BCA0552 BROADCAST MODE SWITCHED OFF for VLAN-LINE
"L1#MANPU"
<C %BCAM-000.141616 % BCA0554 MULTICAST MODE SWITCHED OFF for VLAN-LINE
"L1#MANPU"
<* %DRTO-000.141616 % ETMDR03 LIVE MIGRATION FROM SOURCE CONFIGURATION
'390SU- 700-20' TO TARGET CONFIGURATION '390SU- 700-40' FINISHED. INITIAL
CONFIGURATION WAS '390SU- 700-20' _____ (27)
<C %BCAM-000.141616 % BCA05DC VLAN-DEVICE "D1#SE" active
<C %BCAM-000.141616 % BCA05DC VLAN-DEVICE "D2#SE" active
...
<* %OJGU-000.141617 % SVTS001 Service $REWMONG: started _____ (28)
<J %OJN1-000.141617 % JMS0154 'SYSWSA' LOGGED ON FOR 'SUB'. JOB NAME
'REWMONG'. CALLER 'TSN OJGU'. TID 000100C2
<* %OJN1-000.141618 % BLS0519 PROGRAM 'REWMONG' LOADED

```

(27) The VM Migration is complete.

(28) The services of the REWAS subsystem are restarted.

```

<C %BCAM-000.141618 % BCA07D0 LINE "L#MANLO1": "MAX-LPDU-SIZE" changed to
"1514(*BY-DEVICE)"
<C %BCAM-000.141618 % BCA0847 CHECKSUM done by DEVICE for LINE "L#MANLO1"
<C %BCAM-000.141618 % BCA07DC LINE "L#MANLO1" active
<C %BCAM-000.141618 % BCA0841 BROADCAST activated for LINE "L#MANLO1"
<C %BCAM-000.141618 % BCA0843 MULTICAST activated for LINE "L#MANLO1"
<C %BCAM-000.141618 % BCA07D0 LINE "L#MANLO2": "MAX-LPDU-SIZE" changed to
"9014(*BY-DEVICE)"
<C %BCAM-000.141618 % BCA0847 CHECKSUM done by DEVICE for LINE "L#MANLO2"
<C %BCAM-000.141618 % BCA07DC LINE "L#MANLO2" active
<C %BCAM-000.141618 % BCA0841 BROADCAST activated for LINE "L#MANLO2"
<C %BCAM-000.141618 % BCA0843 MULTICAST activated for LINE "L#MANLO2"
<J %OJN9-000.141618 % JMS0154 'SYSWSA' LOGGED ON FOR 'SUB'. JOB NAME
'REWPING'. CALLER 'TSN OJGU'. TID 000100CA
<J %OJN7-000.141618 % JMS0154 'SYSWSA' LOGGED ON FOR 'SUB'. JOB NAME
'REWPING'. CALLER 'TSN OJGU'. TID 000100C8
...
<* %OJN8-000.141621 % BLS0519 PROGRAM 'REWCURL' LOADED
...
<9 %OJGU-000.141627 % REW0005 MU 'abgsilver' REWAS READY ON
SU 'su0vm06-se2' _____ (29)
<C %BCAM-000.141628 % BCA05EC VLAN-LINE "L1#MANPU" active
<C %BCAM-000.141628 % BCA05EC VLAN-LINE "L1#MCNPR" active
<C %BCAM-000.141628 % BCA05EC VLAN-LINE "L2#MANPU" active
<C %BCAM-000.141628 % BCA05EC VLAN-LINE "L2#MCNPR" active _____ (30)

```

(29) The REWAS subsystem is logging on anew at a Management Unit.

(30) BCAM has newly initialized and activated the redundant HNC configuration.

BS2000 information commands in the guest system (before VM Migration)

The relevant information is marked in **bold**.

```

/show-system-information server-unit=*current
CONFIGURATION = 390SU- 700-20
CPU-ID-LIST :   ADR  0      = 1002900226000000
                ADR  1      = 1012900226000000
                ADR  2      = 1022900226000000
HSI-ATT :      TYPE      = IX
                ASF       = YES
                OPERATION-MODE = VM2000
MEMORY-SIZE    = 2 GB
MINIMAL-MEMORY-SIZE = 2 GB
BS2000-ID :    NAME      = 010BXS
                VERSION   = V19.0A0000
                OSD-BC-VERSION = V10.0A0000
                CREATED    = <date>,<time>
IOCONF-ID :    NAME      = IOCONF1
                VERSION   = V19.0A00
                CREATED    = <date>,<time>
                FORMAT    = IORSF01
IPL-TIME      = <date>,<time>
SYSTEM-CONF :  SYSID     = 183
                HOME-PUBSET = 4IVO
                HOST-NAME   = D020ZE04
                VM-INDEX   = 4
                VM-NAME     = G4IVO
                SYSTEM-NAME = *NONE
                SYSPAR-BS2-SEL = *STD
                LIVE-MIG-COUNT = 0
VM2000-VERSION = V11.5A
VM2000-MONITOR- OSD-BC-VERSION = V11.0A0000
SYSTEM: HOST-NAME = D020ZE01
SYSTEM-TIME-   ZONE      = +01:00
PARAMETER:    SEASON     = S
                SEASON-DIFFERENCE = 01:00
                PREV-CHANGE-DATE  = <date>,<time>
                NEXT-CHANGE-DATE  = <date>,<time>
                SYNCHRONIZATION   = SERVER-CONN-EXT-REF
                EPOCH             = 04

/show-live-migration-history
LM-COUNT      DATE      TIME      CONFIGURATION  VM
00000000     <date>    <time>    390SU- 700-20  4

```

BS2000 information commands in the guest system (after VM Migration)

The relevant information is marked in **bold**.

```

/show-system-information server-unit=*current
CONFIGURATION = 390SU- 700-40
CURRENT-CONFIGURATION = 390SU- 700-40
CPU-ID-LIST :   ADR  0 = 3002900126000000
                ADR  1 = 3012900126000000
                ADR  2 = 3022900126000000
HSI-ATT :      TYPE = IX
                ASF = YES
                OPERATION-MODE = VM2000
MEMORY-SIZE = 2 GB
MINIMAL-MEMORY-SIZE = 2 GB
BS2000-ID :    NAME = 010BXS
                VERSION = V19.0A0000
                OSD-BC-VERSION = V10.0A0000
                CREATED = <date>,<time>
IOCONF-ID :   NAME = IOCONF2
                VERSION = V19.0A00
                CREATED = <date>,<time>
                FORMAT = IORSF01
IPL-TIME = <date>,<time>
SYSTEM-CONF :  SYSID = 183
                HOME-PUBSET = 4IVO
                HOST-NAME = D020ZE04
                VM-INDEX = 6
                VM-NAME = G4IVO
                SYSTEM-NAME = *NONE
                SYSPAR-BS2-SEL = *STD
                LIVE-MIG-COUNT = 1
VM2000-VERSION = V11.5A
VM2000-MONITOR-OSD-BC-VERSION = V11.0A0000
SYSTEM:        HOST-NAME = D021ZE01
SYSTEM-TIME-   ZONE = +01:00
PARAMETER:     SEASON = S
                SEASON-DIFFERENCE = 01:00
                PREV-CHANGE-DATE = <date>,<time>
                NEXT-CHANGE-DATE = <date>,<time>
                SYNCHRONIZATION = SERVER-CONN-EXT-REF
                EPOCH = 04

/show-live-migration-history
LM-COUNT      DATE      TIME      CONFIGURATION      VM
00000000     <date>    <time>    390SU- 700-20      4
00000001     <date>    <time>    390SU- 700-40    6

```

5.4 Working with VM definitions

Each BS2000 VM on a Server Unit of an SE server has a configuration description, the **VM definition**.

The VM definition is created in the following cases:

- When a VM is initialized, see [page 135](#)
- With `/CREATE-VM-DEFINITION`
- With `/RECOVER-VM-DEFINITION` (transfer in the SU cluster)

VM definitions are stored on a system disk.

390 On SU /390, BCAM must be active in the monitor system in order to work with VM definitions.

A VM definition is identified by the VM name. It contains:

- Attributes and resources which are assigned to the VM (initialized VM) or envisaged for the VM.
- Devices which are assigned to the (initialized) VM or envisaged for the VM.
- Status of the VM (for display in the SE Manager).

The following attributes of a VM are **not** contained in the VM definition:

- Location of the VM in the main memory of VM2000 (SU /390, is defined by VM2000).
- MONJVs (are determined when the VM definition is activated).

A **persistent VM definition** is created in the following cases:

- When initializing the VM with `/CREATE-VM, PERSISTENT=*YES` operand.
- When modifying the VM attributes with `/MODIFY-VM-ATTRIBUTES, PERSISTENT=*YES` operand.
- When creating a VM definition with `/CREATE-VM-DEFINITION`.
- When creating a VM definition using the SE Manager.

The monitor VM and other VMs have a non-persistent VM definition.

A persistent VM definition is also available to a Server Unit after a reboot. With its help a persistent VM is set up again and restarted immediately when the corresponding specifications are provided in the `AUTO-IPL` parameter.

A persistent VM definition is **not** deleted by `/DELETE-VM`.

Requirements (SU /390)

On SU /390, VM2000 requires an active BCAM in the monitor system to work with VM definitions on the system disk.

When BCAM is active again in the monitor system and VM2000 was able to perform a complete data comparison with the system disk, message VMS2330 is issued.

Until this occurs, all VM2000 commands which directly concern the VM definitions (e.g. /ACTIVATE-VM-DEFINITION or /SHOW-VM-DEFINITION), or set the PERSISTENT attribute (PERSISTENT=*YES operand in /CREATE-VM or /MODIFY-VM-ATTRIBUTES) are rejected with message VMS2332.

All other VM2000 commands are executed. The contingent changes in the VM definitions are saved by the VM2000 hypervisor and later (before message VMS2330 is issued) transferred to the system disk.

In the case of planned termination of BCAM (BS2000 command /BCEND) in the monitor system, VM2000 issues message VMS2331. After that VM2000 behaves in the way described above until BCAM is active again (VMS2330).

When BCAM is active in the monitor system but the network connection to the system disk is (temporarily) faulty, VM2000 commands which concern VM definitions may possibly be executed with a warning or rejected with a corresponding message.

After warning VMS2306 or VMS2308, VM2000 attempts periodically to subsequently update the VM definition.

5.4.1 VM definition and previous VM2000 commands

The previous VM2000 commands for operating a VM take into account VM definitions as follows:

When a VM is initialized, a VM definition is created for it. When a persistent VM is initialized, a persistent VM definition is also created for it.

390 If the VM definition cannot be created (SU /390 only), the VM is not initialized (irrespective of the PERSISTENT attribute).

VM2000 commands which modify the configuration (e.g. /ADD-VM-DEVICES) or the status (e.g. /HOLD-VM) of a VM which has already been installed also result in the VM definition being updated.

390 If the VM definition cannot be updated (SU /390 only), a warning is issued. The update of the VM definition is performed automatically at a later time.

The VM2000 administrator and VM administrators with ADMIN-PRIVILEGES=*MAXIMUM can use /MODIFY-VM-ATTRIBUTES to assign and remove the PERSISTENT attribute to/from a VM which has already been initialized.

When a VM is terminated with /DELETE-VM, the VM definition of a persistent VM is retained. The VM definition of a non-persistent VM is deleted.

390 If the VM definition cannot be deleted (SU /390 only), a warning is issued. The deletion of the VM definition is performed automatically at a later time.

5.4.2 Commands for managing VM definitions

The management of VM definitions is the task of the VM2000 administrator. They have a group of VM2000 commands available for this purpose.

The table below contains the various functions for working with VM definitions using the associated VM2000 commands.

Function	VM2000 command ¹
Creating a VM definition	CREATE-VM-DEFINITION
Activating a VM definition	ACTIVATE-VM-DEFINITION ²
Modifying a VM definition	MODIFY-VM-DEFINITION ²
Displaying a VM definition	SHOW-VM-DEFINITION
Migrating a VM definition	MIGRATE-VM-DEFINITION ²
Deleting a VM definition	DELETE-VM-DEFINITION ²
Restoring a VM definition	RECOVER-VM-DEFINITION ²

¹ For use by the VM2000 administrator only

² These commands can only be entered for VM definitions of uninitialized VMs. These commands are rejected for initialized VMs.

These functions are described in more detail in the sections below.

Creating a VM definition

The VM2000 administrator creates a persistent VM definition with `/CREATE-VM-DEFINITION`.

The customary attributes and resources for the VM in VM2000 operation are entered in the VM definition, see [section “Initializing a VM” on page 135](#). The PERSISTENT attribute is assigned implicitly. The location of the VM in the main memory of VM2000 is defined later when the VM definition is activated.

In addition, devices are entered for the VM which are to be assigned when the VM definition is activated. Specifications for the automatic start of the guest system on the VM can also be entered when the VM definition is activated.

The VM definition can then only be processed with the commands for working with VM definitions. Other VM2000 commands with this VM name as VM ID are rejected.

A persistent VM definition can be activated by the VM2000 administrator with `/ACTIVATE-VM-DEFINITION`.

Activating a VM definition

The VM administrator uses `/ACTIVATE-VM-DEFINITION` to activate a VM definition, i.e. he/she initializes a persistent VM in accordance with the specifications in the VM definition. The location of the VM in the main memory of VM2000 is defined automatically. The devices entered in the VM definition are explicitly assigned to the VM. If required, the guest system on the VM is started in accordance with the settings for automatic startup.



Errors when starting the guest system are not displayed by VM2000. The VM remains in the INIT-ONLY status (as with `AUTO-IPL=*NO`).

The VM definition may not belong to a VM which has already been initialized.

The VM can be monitored with a monitor job variable.

After the command has been executed successfully, the persistent VM is in the INIT-ONLY status (`AUTO-IPL=*NO` or `AUTO-IPL=*YES`, error when starting the guest system) or RUNNING (`AUTO-IPL=*YES`, no error when starting the guest system), see [page 134](#).

The VM can then be operated using the VM2000 commands employed before. After this command has been executed successfully, the VM definition is updated accordingly.

Modifying a VM definition

With `/MODIFY-VM-DEFINITION` the VM2000 administrator can modify the following specifications in a VM definitions:

- The VM's attributes and resources which have been entered (see [section “Initializing a VM” on page 135](#)) with the exception of the VM name
- The set of devices entered for the VM
- The specifications for automatic startup of the guest system on the VM

The VM definition may not belong to a VM which has already been initialized.

Displaying a VM definition

With `/SHOW-VM-DEFINITION` the VM2000 administrator can display the attributes, resources and devices entered for a VM in the VM definition, as well as information on the automatic startup of the automatic startup of the guest system on the VM.

The VM definition may also belong to a VM which has already been initialized. In the case of such a VM, the VM attributes and the resources and devices assigned to the VM (`/SHOW-VM-ATTRIBUTES`) normally match the values which are entered in the VM definition (`/SHOW-VM-DEFINITION`). In exceptional cases when VM definitions cannot be modified (see [page 201](#)), values modified in the SE Manager can be displayed as in the previous VM2000 outputs.

Migrating a VM definition

The VM2000 administrator can migrate the VM definition of a yet un-initialized VM from the source SU to a target SU with `/MIGRATE-VM-DEFINITION`.

Prerequisites

- Source and target SU are in the same SU cluster.
- The VM name is available on the target SU, i.e. it has not been assigned to another VM or VM definition.
- The maximum number of VM definitions has not been reached on the target SU.

VM2000 checks these prerequisites in the `/MIGRATE-VM-DEFINITION` command.

Execution


On SU /390, the VM2000 monitor on the source SU, the Management Unit and the VM2000 monitor on the target SU collaborate to migrate the VM definition.

On SU x86, the migration of the VM definition is executed via the VM2000 agent (see [page 34](#)). Xen/X2000 executes the creation of the VM definition on the target SU and the subsequent deletion of the VM definition on the source SU.

Restoring a VM definition

The VM2000 administrator can restore a VM definition with `/RECOVER-VM-DEFINITION`, i.e. a VM definition is transferred from a remote Server Unit to the local Server Unit.

Prerequisites

- The remote Server Unit has to be in the same SU cluster as the local Server Unit.
- The remote Server Unit is not running.
-  The caller needs to check these prerequisites. VM2000 only checks if the remote Server Unit has not recently written periodic entries onto the system disk with the VM definitions. On an SU /390, this situation is also possible if BCAM in the monitor system is not ready to operate. Otherwise, VM2000 assumes that the remote Server Unit is still running.
- The VM name is not in use on the local Server Unit.
- The maximum number of VM definitions has not been reached on the local Server Unit.

Execution

The VM definition is read by VM2000 from the remote Server Unit, adapted to the current conditions and saved on the local Server Unit.

After that, the VM definition is deleted on the remote Server Unit. If the VM definition cannot be deleted (e.g. because the remote Server Unit has recently written periodic entries onto the system disk with the VM definitions), it is deleted from the local Server Unit to which it was previously saved.

Deleting a VM definition

With `/DELETE-VM-DEFINITION` the VM2000 administrator can delete a VM definition.

The VM definition may not belong to a VM which has already been initialized.

5.4.3 Examples of working with VM definitions

Asynchronous messages are marked with %.

Converting an existing VM to a persistent VM

In the example below (SU /390), a VM is subsequently assigned the PERSISTENT attribute by the VM2000 administrator while the guest system is running.

```
/show-vm-resources
```

VM-ID	CPU-POOL(P)	VM-GROUP(G)	CPU-Q	MAX-U	PROC	MEM-SIZE	MAX-IO
1	M4IVR	MONGROUP(G)	1.00	80.00	2(+1)	512	(100)
2	G4IVQ	*STDPPOOL(P)	26.00	100.00	4(+1)	2048	(100)
3	G4IVP	USRGROUP(G)	4.00	100.00	2(+1)	4096	(100)
4	G4IVO	USRGROUP(G)	1.00	100.00	1(+1)	256	(100)
5	G4IVJ	*STDPPOOL(P)	70.00	100.00	2(+1)	512	(50)

VM-ID	STATE	VERSION	PER	ADMIN	PRIV	
1	M4IVR	RUNNING	V11.0A	NO	YES	IO-R,AG,AS (1)
2	G4IVQ	RUNNING	V10.0A	NO	NO	AG,AS
3	G4IVP	RUNNING	V11.0A	NO	NO	AS
4	G4IVO	RUNNING	V10.0A	NO	NO	AG,AS
5	G4IVJ	DOWN	V10.0A	NO	NO	

```
F R E E      VM: 10      LARGEST-DOMAIN(MB):      8432
```

```
/start-vm ip1-unit=fc17,main-console=cc,vm-id=g4ivj (2)
% VMS2023 CPU 00 OF VIRTUAL MACHINE (5,G4IVJ) STARTED
% VMS2023 CPU 01 OF VIRTUAL MACHINE (5,G4IVJ) STARTED
% VMS2023 CPU 02 OF VIRTUAL MACHINE (5,G4IVJ) STARTED
% VMS2037 NON-INTERRUPTIBLE WAIT STATE FOR VIRTUAL MACHINE (5,G4IVJ),
      CODE 80FFFFFF, CPU 02
% VMS2011 CPU 02 OF VIRTUAL MACHINE (5,G4IVJ) STOPPED
% VMS2050 GUEST SYSTEM ON VM (5,G4IVJ) READY
```

- (1) In the initial situation five VMs are initialized, all of which have a non-persistent VM definition.
- (2) VM5 is switched on and started up on its virtual console.

```

/show-vm-attributes vm-id=g4ivj,information=*all _____ (3)
      CPU-POOL(P)
VM-ID   VM-GROUP(G) CPU-Q   MAX-U   PROC   MEM-SIZE  MAX-IO
  5 G4IVJ *STDPOOL(P) 70.00  100.00  2(+1)      512  (100)

VM-ID   STATE                VERSION PER ADMIN PRIV
  5 G4IVJ RUNNING                V10.0A NO  NO   AS

VM-ID   CPU-POOL  GR-CPU-Q  CPU-Q/  EFF-Q  MAX-U/  EFF-U  PROC
  5 G4IVJ *STDPOOL          70.00/  42.16  100.00/100.00  2(+1)

VM-ID   SCHED ACT-I  VIRT CPUS
  5 G4IVJ TS     NO    00(RUN),01(RUN),02(OFF)

VM-ID   VM-MONJV
  5 G4IVJ NO VM-MONJV ASSIGNED

VM-ID   UNITS
  5 G4IVJ ASSIGNED BY VM-ADMIN
      EXCL:  CC(VC),CC48,CC49,CC88,CC89,CD48,CD49,CD88,
             CD89,FC17,FC18,FC19
      SHARED: 990F

VM-ID   PARTITION-ID ATTR   GS-SIZE  MODE  STATUS
  5 G4IVJ NO GS AVAILABLE

VM-ID   LOC-BEGIN  MEM-SIZE  MIN-MEM-S  MAX-MEM-S  DEST-MEM-S
  5 G4IVJ 00001B10      512        512

VM-ID   PRIV  DETAILS
  5 G4IVJ AS

```

(3) The attributes of the VM2 is output.


```

/show-vm-definition vm-name=g4ivj,information=*all _____ (4)
                                CPU-POOL(P)
VM-ID      ACT PER HA  VM-GROUP(G)  PROC  MEM-SIZE  MAX-IO
 5 G4IVJ    YES NO  NO  *STDPPOOL(P)  2      512    100

                                CPU-POOL(P)
VM-ID      ACT VM-GROUP(G) CPU-Q  MAX-U  PROC  ACT-I
 5 G4IVJ    YES *STDPPOOL(P) 70.00 100.00 2    NO

VM-ID      ACT MEM-SIZE  MIN-MEM-S  MAX-MEM-S
 5 G4IVJ    YES      512      512

VM-ID      ACT PRIV  DETAILS
 5 G4IVJ    YES AS

VM-ID      ACT TYPE  EFF  IPL-U  IPL-C  MODE  SYSNAME
 5 G4IVJ    YES AUTO NO
              LAST YES FC17  CC  FAST

VM-ID      ACT UNITS
 5 G4IVJ    YES ASSIGNED BY VM-ADMIN
              EXCL:  CC(VC),CC48,CC49,CC88,CC89,CD48,CD49,
                  CD88,CD89,FC17(PR),FC18(PD),FC19(PD) _____ (5)
              SHARED: 990F

/modify-vm-attributes vm-id=g4ivj,
    persistent=*yes(auto-ipl=*yes(ipl-unit=fc17,ipl-console=cn)) — (6)
/add-vm-devices units=(cn,co),vm-identification=g4ivj _____ (7)
VMS4005 DEVICE 'CN' ASSIGNED TO VIRTUAL MACHINE (5,G4IVJ)
VMS4005 DEVICE 'CO' ASSIGNED TO VIRTUAL MACHINE (5,G4IVJ)

```

- (4) The attributes of the VM are also reflected in its (non-persistent) VM definition.
- (5) In this case the disks of the home pubset contain the additional indicators `PR` for the `pubres` device and `PD` for the other `pubres` disks because they have been assigned to the VM with `/ADD-VM-DEVICES UNITS=*PUBSET-DEVICES(...)`.
- (6) The VM is assigned the `PERSISTENT` attribute, i.e. its VM definition is labeled as persistent. The guest system on the VM is to be started automatically when the VM definition is activated. However, the startup is not to take place from the virtual console, but from a (new) KVP console with the device pair `(CN,CO)`.
- (7) The (new) KVP console is assigned to the VM. This can also take place after the `/MODIFY-VM-ATTRIBUTES` command.

```

/show-vm-attributes vm-identification=g4ivj _____ (8)
      CPU-POOL(P)
VM-ID      VM-GROUP(G) CPU-Q  MAX-U  PROC  MEM-SIZE  MAX-IO
 5 G4IVJ   *STDPOOL(P) 70.00 100.00 2(+1)      512 (100)

VM-ID      STATE          VERSION PER ADMIN PRIV
 5 G4IVJ   RUNNING          V10.0A YES NO   AS
/show-vm-definition vm-name=g4ivj _____ (9)
      CPU-POOL(P)
VM-ID      ACT PER HA  VM-GROUP(G)  PROC  MEM-SIZE  MAX-IO
 5 G4IVJ   YES YES NO  *STDPOOL(P)  2      512      100
/show-vm-definition vm-name=g4ivj,information=*ipl _____ (10)
VM-ID      ACT TYPE EFF IPL-U IPL-C MODE  SYSNAME
 5 G4IVJ   YES AUTO YES FC17 CN  AUTO
          LAST YES FC17 CC  FAST
/show-vm-definition vm-name=g4ivj,information=*units _____ (11)
VM-ID      ACT UNITS
 5 G4IVJ   YES ASSIGNED BY VM-ADMIN
          EXCL:  CC(VC),CN,CO,CC48,CC49,CC88,CC89,CD48,
          CD49,CD88,CD89,FC17(PR),FC18(PD),FC19(PD)
          SHARED: 990F
/showutdown-vm vm-identification=g4ivj,action=*shutdown(quiet-time=0) ____ (12)
VMS2054 SHUTDOWN OF GUEST SYSTEM ON VM (5,G4IVJ) INITIATED
% VMS2037 NON-INTERRUPTIBLE WAIT STATE FOR VIRTUAL MACHINE (5,G4IVJ),
      CODE 80FFFFFF, CPU 00
% VMS2033 'EXC0557 SHUTDOWN PROCESSING COMPLETED ' FROM VM (5,G4IVJ) VIA SVP
% VMS2051 GUEST SYSTEM ON VM (5,G4IVJ) DOWN; REASON: SHUTDOWN
% VMS2037 NON-INTERRUPTIBLE WAIT STATE FOR VIRTUAL MACHINE (5,G4IVJ),
      CODE 80FFFFFF, CPU 01
/delete-vm vm-identification=g4ivj _____ (13)
VMS4009 DEVICE 'CC' REMOVED FROM VIRTUAL MACHINE (5,G4IVJ)
VMS4009 DEVICE 'CN' REMOVED FROM VIRTUAL MACHINE (5,G4IVJ)
VMS4009 DEVICE 'CO' REMOVED FROM VIRTUAL MACHINE (5,G4IVJ)
...
VMS4619 VIRTUAL MACHINE (5,G4IVJ) REMOVED FROM CPU POOL '*STDPOOL'
VMS4024 VIRTUAL MACHINE (5,G4IVJ) TERMINATED

```

- (8) The VM now has the PERSISTENT attribute.
- (9) The VM definition is now active (VM is initialized) and persistent.
- (10) The IPL parameters for automatic startup of the guest system on the VM are set. The IPL parameters of the last startup of the guest system (LAST) can also be seen.
- (11) The KVP console (CN,CO) is assigned.
- (12) The guest system on the VM is terminated.
- (13) The VM is terminated.

```

/show-vm-definition vm-name=g4ivj _____ (14)
                        CPU-POOL(P)
VM-ID      ACT PER HA  VM-GROUP(G)  PROC  MEM-SIZE MAX-IO
 5 G4IVJ   NO  YES NO  *STDPPOOL(P)  2      512    100
/show-vm-definition vm-name=g4ivj,memory-size=1024,
processor=*extra-and-normal,devices=*remove(units=cc) _____ (15)
/show-vm-definition vm-name=g4ivj,information=*memory _____ (16)
VM-ID      ACT MEM-SIZE MIN-MEM-S MAX-MEM-S
 5 G4IVJ   NO      1024      512
/show-vm-definition vm-name=g4ivj,information=*cpu
                        CPU-POOL(P)
VM-ID      ACT VM-GROUP(G) CPU-Q  MAX-U  PROC  ACT-I
 5 G4IVJ   NO  *STDPPOOL(P) 70.00 100.00 4(E) NO
/show-vm-definition vm-name=g4ivj,information=*units
VM-ID      ACT UNITS
 5 G4IVJ   NO  ASSIGNED BY VM-ADMIN
                        EXCL:  CN,CO,CC48,CC49,CC88,CC89,CD48,CD49,
                        CD88,CD89,FC17(PR) _____ (17)
                        SHARED: 990F

```

- (14) The persistent VM definition still exists. However, it is no longer active.
- (15) The VM definition is modified:
The next time it is activated the VM is assigned a larger main memory and the highest possible multiprocessor level. At the same time the virtual console is removed from the VM (which is no longer required).
- (16) The changes are visible in the information commands.
- (17) Disks FC18 and FC19 of the home pubset are no longer listed because they have been assigned as pubset devices. When the VM definition is activated, the other pubset disks are determined and displayed dynamically via the pubres device, see comment (5).

```

/activate-vm-definition vm-name=g4ivj _____ (18)
VMS3050 VIRTUAL MACHINE (5,G4IVJ) CREATED
VMS4615 VIRTUAL MACHINE (5,G4IVJ) ASSIGNED TO CPU POOL '*STDPOOL'
VMS4005 DEVICE 'CN' ASSIGNED TO VIRTUAL MACHINE (5,G4IVJ)
VMS4005 DEVICE 'CO' ASSIGNED TO VIRTUAL MACHINE (5,G4IVJ)
VMS4005 DEVICE 'CC48' ASSIGNED TO VIRTUAL MACHINE (5,G4IVJ)
VMS4005 DEVICE 'CC49' ASSIGNED TO VIRTUAL MACHINE (5,G4IVJ)
VMS4005 DEVICE 'CC88' ASSIGNED TO VIRTUAL MACHINE (5,G4IVJ)
VMS4005 DEVICE 'CC89' ASSIGNED TO VIRTUAL MACHINE (5,G4IVJ)
VMS4005 DEVICE 'CD48' ASSIGNED TO VIRTUAL MACHINE (5,G4IVJ)
VMS4005 DEVICE 'CD49' ASSIGNED TO VIRTUAL MACHINE (5,G4IVJ)
VMS4005 DEVICE 'CD88' ASSIGNED TO VIRTUAL MACHINE (5,G4IVJ)
VMS4005 DEVICE 'CD89' ASSIGNED TO VIRTUAL MACHINE (5,G4IVJ)
VMS4005 DEVICE 'FC17' ASSIGNED TO VIRTUAL MACHINE (5,G4IVJ)
VMS4005 DEVICE 'FC18' ASSIGNED TO VIRTUAL MACHINE (5,G4IVJ)
VMS4005 DEVICE 'FC19' ASSIGNED TO VIRTUAL MACHINE (5,G4IVJ)
VMS4005 DEVICE '990F' ASSIGNED TO VIRTUAL MACHINE (5,G4IVJ) (TYPE=SD)
% VMS2023 CPU 00 OF VIRTUAL MACHINE (5,G4IVJ) STARTED
% VMS2023 CPU 01 OF VIRTUAL MACHINE (5,G4IVJ) STARTED
% VMS2023 CPU 04 OF VIRTUAL MACHINE (5,G4IVJ) STARTED
% VMS2037 NON-INTERRUPTIBLE WAIT STATE FOR VIRTUAL MACHINE (5,G4IVJ),
    CODE 80FFFFFF, CPU 04
% VMS2011 CPU 04 OF VIRTUAL MACHINE (5,G4IVJ) STOPPED
% VMS2050 GUEST SYSTEM ON VM (5,G4IVJ) READY
/show-vm-attributes vm-identification=g4ivj _____ (19)
      CPU-POOL(P)
VM-ID      VM-GROUP(G)  CPU-Q    MAX-U    PROC    MEM-SIZE  MAX-IO
 5 G4IVJ   *STDPOOL(P)  70.00   100.00   4(+1)    1024    (100)

VM-ID      STATE          VERSION PER ADMIN PRIV
 5 G4IVJ   RUNNING        V10.0A YES NO    AS
/show-vm-definition vm-name=g4ivj,information=*ipl _____ (20)
VM-ID      ACT TYPE EFF IPL-U IPL-C MODE    SYSNAME
 5 G4IVJ   YES AUTO YES FC17  CN      AUTO
          LAST YES FC17  CN      AUTO

```

- (18) Activating the VM definition causes the VM to be set up again and automatically restarted.
- (19) The VM runs with the predefined attributes.
- (20) In the VM definition the parameters of the last IPL have changed.

Setting up a persistent VM from a VM definition

In the example below (SU x86), a persistent VM definition is set up and activated.

```

/create-vm-definition vm-name=persvm, _____ (1)
  memory-size=2048,min-memory-size=1024,max-memory-size=8192,
  processor=*maximum,cpu-quota=20,admin-privileges=*maximum,
  devices=(*pubset-devices(pubset=vm24,usage=*exclusive),
           *device-range(from=fc0a,to=fc0c,usage=*shared),x6,x7,y6,y7,z6,z7),
  privileges=*parameters(assign-by-guest=*yes),
  admin-privileges=*maximum,
  auto-ipl=*yes(ipl-unit=9924,ipl-console=z6,mode=*fast,system-name=abgafr04)
VMS2301 DEFINITION OF VM 'PERSVM' CREATED
/show-vm-definition vm-name=persvm,information=*all _____ (2)
          CPU-POOL(P)
VM-ID      ACT PER HA  VM-GROUP(G)  PROC  MEM-SIZE  MAX-IO
- PERSVM   NO  YES NO  *STDPPOOL(P)  8(M)   2048     100

          CPU-POOL(P)
VM-ID      ACT VM-GROUP(G) CPU-Q  MAX-U  PROC  ACT-I
- PERSVM   NO  *STDPPOOL(P) 20.00 100.00 8(M)  NO

VM-ID      ACT MEM-SIZE  MIN-MEM-S  MAX-MEM-S
- PERSVM   NO          2048       1024       8192

VM-ID      ACT PRIV  DETAILS
- PERSVM   NO  ADM   *VM-MAX
          AG   *STDSET
          AS

VM-ID      ACT TYPE EFF  IPL-U  IPL-C  MODE  SYSNAME
- PERSVM   NO  AUTO YES  9924   Z6     FAST  ABGAFR04

VM-ID      ACT UNITS
- PERSVM   NO  ASSIGNED BY VM-ADMIN
          EXCL:  X6,X7,Y6,Y7,Z6,Z7,9924(PR)
          SHARED: FCOA,FCOB,FCOC

```

- (1) The persistent VM definition is set up.
- (2) The settings in the persistent VM definition are displayed.

```

/activate-vm-definition vm-name=persvm _____ (3)
% VMS6020 VIRTUAL MACHINE (4,PERSVM) CREATED BY SYSTEM ADMINISTRATION
% VMS4005 DEVICE '9924' ASSIGNED TO VIRTUAL MACHINE (4,PERSVM) (BY SYSADM)
% VMS4005 DEVICE 'FCOA' ASSIGNED TO VIRTUAL MACHINE (4,PERSVM) (TYPE=SD)
      (BY SYSADM)
% VMS4005 DEVICE 'FCOB' ASSIGNED TO VIRTUAL MACHINE (4,PERSVM) (TYPE=SD)
      (BY SYSADM)
% VMS4005 DEVICE 'FCOC' ASSIGNED TO VIRTUAL MACHINE (4,PERSVM) (TYPE=SD)
      (BY SYSADM)
% VMS4005 DEVICE 'Z6' ASSIGNED TO VIRTUAL MACHINE (4,PERSVM) (BY SYSADM)
% VMS4005 DEVICE 'Z7' ASSIGNED TO VIRTUAL MACHINE (4,PERSVM) (BY SYSADM)
% VMS4005 DEVICE 'X6' ASSIGNED TO VIRTUAL MACHINE (4,PERSVM) (BY SYSADM)
% VMS4005 DEVICE 'X7' ASSIGNED TO VIRTUAL MACHINE (4,PERSVM) (BY SYSADM)
% VMS4005 DEVICE 'Y7' ASSIGNED TO VIRTUAL MACHINE (4,PERSVM) (BY SYSADM)
% VMS4005 DEVICE 'Y6' ASSIGNED TO VIRTUAL MACHINE (4,PERSVM) (BY SYSADM)
% VMS2023 CPU 00 OF VIRTUAL MACHINE (4,PERSVM) STARTED
% VMS6023 GUEST SYSTEM ON VM (4,PERSVM) STARTED BY SYSTEM ADMINISTRATION
% VMS2023 CPU 01 OF VIRTUAL MACHINE (4,PERSVM) STARTED
% VMS2023 CPU 02 OF VIRTUAL MACHINE (4,PERSVM) STARTED
% VMS2023 CPU 03 OF VIRTUAL MACHINE (4,PERSVM) STARTED
% VMS2023 CPU 04 OF VIRTUAL MACHINE (4,PERSVM) STARTED
% VMS2023 CPU 05 OF VIRTUAL MACHINE (4,PERSVM) STARTED
% VMS2023 CPU 06 OF VIRTUAL MACHINE (4,PERSVM) STARTED
% VMS2023 CPU 07 OF VIRTUAL MACHINE (4,PERSVM) STARTED
% VMS2050 GUEST SYSTEM ON VM (4,PERSVM) READY

```

- (3) The VM definition is activated.
The BS2000 guest system is started automatically.



On SU x86 this command causes all messages to be output asynchronously. On SU /390 some messages (in particular VMS3050 and VMS4005) are output synchronously when the command is executed, see [page 212](#).

```

/show-vm-attributes vm-identification=persvm,information=*all ----- (4)
      CPU-POOL(P)
VM-ID   VM-GROUP(G) CPU-Q   MAX-U   PROC   MEM-SIZE  MAX-IO
  4 PERSVM *STDPOOL(P) 20.00  100.00   8       2048   (100)

VM-ID   STATE           VERSION PER ADMIN PRIV
  4 PERSVM  RUNNING           V10.0A  YES NO   AG,AS

VM-ID   CPU-POOL  GR-CPU-Q  CPU-Q/  EFF-Q  MAX-U/  EFF-U  PROC
  4 PERSVM *STDPOOL           20.00/ 20.00 100.00/100.00  8

VM-ID   SCHED ACT-I  VIRT CPUS
  4 PERSVM  TS    NO    00(RUN),01(RUN),02(RUN),03(RUN),
          04(RUN),05(RUN),06(RUN),07(RUN)

VM-ID   VM-MONJV
  4 PERSVM  NO VM-MONJV ASSIGNED

VM-ID   UNITS
  4 PERSVM  ASSIGNED BY VM-ADMIN
          EXCL:  X6,X7,Y6,Y7,Z6,Z7,9924
          SHARED: FCOA,FCOB,FCOC

VM-ID   PARTITION-ID ATTR   GS-SIZE  MODE  STATUS
  4 PERSVM  NO GS AVAILABLE

VM-ID   BS2-MEM-S  MEM-SIZE  MIN-MEM-S  MAX-MEM-S  DEST-MEM-S
  4 PERSVM      1896      2048      1024      8192

VM-ID   PRIV  DETAILS
  4 PERSVM  ADM   *VM-MAX
          AG   *STDSET
          AS

/show-vm-definition vm-name=persvm,information=*ipl ----- (5)
VM-ID   ACT TYPE EFF IPL-U IPL-C MODE  SYSNAME
- PERSVM  YES AUTO YES 9924 Z6    FAST  ABGAFR04
          LAST YES 9924 Z6    FAST  ABGAFR04

```

(4) The VM runs with the predefined attributes and resources.

(5) After the (automatic) startup of the guest system on the VM, the parameters of the last IPL are also entered in the VM definition.

```

/shutdown-vm vm-identification=persvm,action=*shutdown(quiet-time=0) — (6)
VMS2054 SHUTDOWN OF GUEST SYSTEM ON VM (4,PERSVM) INITIATED
% VMS2037 NON-INTERRUPTIBLE WAIT STATE FOR VIRTUAL MACHINE (4,PERSVM),
    CODE 00000000, CPU 07
% VMS2037 NON-INTERRUPTIBLE WAIT STATE FOR VIRTUAL MACHINE (4,PERSVM),
    CODE 00000000, CPU 05
% VMS2037 NON-INTERRUPTIBLE WAIT STATE FOR VIRTUAL MACHINE (4,PERSVM),
    CODE 00000000, CPU 03
% VMS2037 NON-INTERRUPTIBLE WAIT STATE FOR VIRTUAL MACHINE (4,PERSVM),
    CODE 00000000, CPU 04
% VMS2037 NON-INTERRUPTIBLE WAIT STATE FOR VIRTUAL MACHINE (4,PERSVM),
    CODE 00000000, CPU 01
% VMS2037 NON-INTERRUPTIBLE WAIT STATE FOR VIRTUAL MACHINE (4,PERSVM),
    CODE 00000000, CPU 00
% VMS2037 NON-INTERRUPTIBLE WAIT STATE FOR VIRTUAL MACHINE (4,PERSVM),
    CODE 00000000, CPU 02
% VMS2033 'EXC0557 SHUTDOWN PROCESSING COMPLETED' FROM VM (4,PERSVM) VIA SVP
% VMS2037 NON-INTERRUPTIBLE WAIT STATE FOR VIRTUAL MACHINE (4,PERSVM),
    CODE 00000000, CPU 06
% VMS2051 GUEST SYSTEM ON VM (4,PERSVM) DOWN; REASON: SHUTDOWN
/delete-vm vm-identification=persvm _____ (7)
VMS4619 VIRTUAL MACHINE (4,PERSVM) REMOVED FROM CPU POOL '*STDPOOL'
VMS4024 VIRTUAL MACHINE (4,PERSVM) TERMINATED
% VMS4009 DEVICE 'Z6' REMOVED FROM VIRTUAL MACHINE (4,PERSVM) (BY SYSADM)
% VMS4009 DEVICE 'Z7' REMOVED FROM VIRTUAL MACHINE (4,PERSVM) (BY SYSADM)
% VMS4009 DEVICE 'X6' REMOVED FROM VIRTUAL MACHINE (4,PERSVM) (BY SYSADM)
% VMS4009 DEVICE 'X7' REMOVED FROM VIRTUAL MACHINE (4,PERSVM) (BY SYSADM)
% VMS4009 DEVICE 'Y6' REMOVED FROM VIRTUAL MACHINE (4,PERSVM) (BY SYSADM)
% VMS4009 DEVICE 'Y7' REMOVED FROM VIRTUAL MACHINE (4,PERSVM) (BY SYSADM)
% VMS4009 DEVICE '9924' REMOVED FROM VIRTUAL MACHINE (4,PERSVM) (BY SYSADM)
% VMS4009 DEVICE 'FCOA' REMOVED FROM VIRTUAL MACHINE (4,PERSVM) (BY SYSADM)
% VMS4009 DEVICE 'FCOB' REMOVED FROM VIRTUAL MACHINE (4,PERSVM) (BY SYSADM)
% VMS4009 DEVICE 'FCOC' REMOVED FROM VIRTUAL MACHINE (4,PERSVM) (BY SYSADM)
/delete-vm-definition vm-name=persvm _____ (8)
VMS2302 DEFINITION OF VM 'PERSVM' DELETED

```

(6) The guest system on VM4 is terminated.

(7) VM4 is terminated.



When a persistent VM is terminated, the messages VMS4009 are output asynchronously. Otherwise the messages are output synchronously during command execution, see [page 210](#).

(8) The persistent VM definition is deleted.

5.5 Operating VM groups (SU /390)

The VM2000 concept of VM groups enables the VM2000 administrator to combine multiple VMs in an organizational unit. VM groups have attributes of their own and are assigned to a CPU pool. The VMs which belong to the VM group are taken into account in a special way for scheduling.

x86 VM groups are not available on SU x86.

Attributes of VM groups and their members

VM groups have their own CPU quota (`CPU-QUOTA` operand). This determines the VM group's share of the CPU capacity of the CPU pool in comparison to other VM groups located in the CPU pool and VMs which do not belong to a VM group. Similarly to the virtual machine, the CPU utilization of the VM group can be restricted by the maximum CPU utilization (`MAX-CPU-UTILIZATION` operand).

For scheduling, too, the VM group is regarded as a unit. If a VM in the VM group has not yet used up the CPU share intended for it, the other VMs of this VM group are given preference over the other VMs of the CPU pool during scheduling. This is also referred to as “load balancing within a VM group”.

The VMs which belong to a VM group are also referred to as “members of the VM group”. They have their own member CPU quota (`MEMBER-CPU-QUOTA` operand) which determines the CPU share of the VM compared to the other VMs in the VM group. The maximum CPU utilization of a member VM is restricted by both the “maximum CPU utilization of the VM” and the “maximum CPU utilization of the VM group”.

Further information on the CPU quota, maximum CPU utilization and scheduling is provided in the sections [“Planning distribution of the CPU capacity to the VMs” on page 283](#) and [“Scheduling procedure” on page 294](#).

The monitor VM can also be added to a VM group.

Commands for operating VM groups

The VM2000 administrator manages a VM group in the ADMIN dialog using the monitor VM. The function and privileges of the VM2000 administrator are described in the [section “Operating the whole VM2000 system” on page 227](#).

The table below shows the individual operation groups with the associated VM2000 commands for operating a VM group.

Operation group	VM2000 command
Creating a VM group	CREATE-VM-GROUP ¹
Adding a VM to a VM group	CREATE-VM ¹ ADD-VM-TO-VM-GROUP ¹ CREATE-VM-DEFINITION ^{1 2} MODIFY-VM-DEFINITION ^{1 2}
Modifying the attributes of a VM in a VM group	MODIFY-VM-ATTRIBUTES ³
Removing a VM from a VM group	DELETE-VM ⁴ DELETE-VM-DEFINITION ^{1 2} REMOVE-VM-FROM-VM-GROUP ¹
Modifying the attributes of a VM group	MODIFY-VM-GROUP-ATTRIBUTES ¹ ASSIGN-VM-GROUP-TO-CPU-POOL ¹
Outputting information on a VM group	SHOW-VM-GROUP ¹
Deleting a VM group	DELETE-VM-GROUP ¹

¹ For use by the VM2000 administrator only

² Command only for working with VM definitions

³ Command for the VM2000 administrator and those VM administrators with ADMIN-PRIVILEGES=*MAXIMUM (see [page 235](#))

⁴ For use by the VM2000 administrator and the VM administrator of the VM

These operation groups are described in more detail in the sections below.

5.5.1 Creating a VM group

Before a VM group can be worked with, it must be created in VM2000. A VM group is created by the VM2000 administrator using `/CREATE-VM-GROUP`.

When a VM group is created it is assigned the following attributes:

- Name of the VM group
- CPU quota and maximum CPU utilization of the VM group
- CPU pool of the VM group

Up to half as many VM groups as VMs may be created (rounded up). The number of VMs depends on the architecture of the Server Unit, see [page 470](#).

Example

A maximum of 15 VMs are permitted on an SU /390. A maximum of 8 VM groups can thus be created.

The maximum number of VMs and the maximum number of VM groups are also displayed using `/SHOW-VM-RESOURCES INFORMATION=*CONFIGURATION`.

Name of the VM group

The name of a VM group can be freely selected. It must identify the VM group unambiguously. `/CREATE-VM-GROUP` is rejected if a specified VM group name has already been assigned.

Recommendations for defining and using the names of VM groups

The name of a VM group should be unique within a VM2000 installation (data center organization) and indicate the purpose of the VM group.

The name ranges for VMs, VM groups and CPU pools should be disjunctive.

CPU quota and maximum CPU utilization of the VM group

The CPU quota of the VM group determines the share of the VM group in the CPU capacity of the assigned CPU pool in comparison to the other VMs which are assigned to the same CPU pool either directly or as members of a VM group.

The CPU utilization of a VM group can be restricted by the maximum CPU utilization. This value also implicitly restricts the CPU utilization of every VM which belongs to the VM group.

The CPU quota and maximum CPU utilization of the VM group can be modified later using `/MODIFY-VM-GROUP-ATTRIBUTES`.

CPU pool, to which the VM group is assigned

Each VM group is always assigned to precisely one CPU pool. By default (CPU-POOL-NAME=*STDP00L operand) the VM group is assigned to the standard CPU pool at initialization time.

The assignment of a VM group to a CPU pool can be changed later using /ASSIGN-VM-GROUP-TO-CPU-POOL.

5.5.2 Adding a VM to a VM group

After a VM group has been created, VMs can be added to this VM group. The VM2000 administrator adds VMs to a VM group when the VM is created (see [page 135](#)) or in ongoing operation using /ADD-VM-TO-VM-GROUP.

When this is done in ongoing operation, the VM may not already belong to a VM group. It must be assigned to the CPU pool to which the VM group is assigned.

When a VM is added to a VM group, a **member CPU quota** is specified for it which determines the VM's own CPU share in comparison to the other VMs in the VM group. The CPU quota of the (autonomous) VM is relinquished.

The maximum CPU utilization of a member VM is restricted by both the “maximum CPU utilization of the VM” and the “maximum CPU utilization of the VM group”. The **maximum CPU utilization** of a VM is determined when the VM is created using (see [page 135](#)). It can be modified later using /MODIFY-VM-ATTRIBUTES.



/CREATE-/MODIFY-VM-DEFINITION can be used to enter the assignment of a VM to a VM group in its VM definition. Detailed information can be found in the [section “Working with VM definitions”](#) on [page 200](#).

5.5.3 Modifying the attributes of a VM in a VM group

In addition to the general attributes of a VM, the following attributes which are important for scheduling within a VM group can also be modified.

The VM2000 administrator can modify the **member CPU quota** of a VM in a VM group using `/MODIFY-VM-ATTRIBUTES (CPU-QUOTA=*BY-VM-GROUP(MEMBER-CPU-QUOTA=...))` operand). As a result the VM's own CPU share is modified in comparison to the other VMs in the VM group.

The VM2000 administrator can also modify the **maximum CPU utilization** of a VM in a VM group using `/MODIFY-VM-ATTRIBUTES (MAX-CPU-UTILIZATION operand)`. This value is implicitly restricted by the maximum CPU utilization of the VM group.

5.5.4 Removing a VM from a VM group

A VM is removed from a VM group by the VM2000 administrator using `/REMOVE-VM-FROM-VM-GROUP` or implicitly by the VM administrator using `/DELETE-VM`.

When a VM is removed from a VM group using `/REMOVE-VM-FROM-VM-GROUP`, the VM which then becomes autonomous is assigned a new CPU quota. The VM's member CPU quota is relinquished.

When the last VM is removed from a VM group, the share of the CPU capacity of the CPU pool changes for the remaining VM groups and VMs which are assigned to the same CPU pool either directly or as members of a VM group.



`/DELETE-VM-DEFINITION` cancels the entered assignment of the VM to a VM group.

5.5.5 Modifying the attributes of a VM group

The VM2000 administrator can modify the **CPU quota** and **maximum CPU utilization** of a VM group using `/MODIFY-VM-GROUP-ATTRIBUTES`.

As a result the CPU share of the VM group is modified in comparison to the other VM groups and VMs which are assigned to the same CPU pool either directly or as members of a VM group.

The VM2000 administrator can assign the VM group to another **CPU pool** using `/ASSIGN-VM-GROUP-TO-CPU-POOL`.

5.5.6 Outputting information on a VM group

The VM2000 administrator obtains information on a VM group using `/SHOW-VM-GROUP`.

The VM2000 administrator obtains the following information with this command:

- The attributes of the VM group as defined with `/CREATE-VM-GROUP` or `/MODIFY-VM-GROUP-ATTRIBUTES`
- The attributes of the VMs which belong to the VM group

The VM2000 administrator also obtains information on which VM group a VM belongs to using `/SHOW-VM-RESOURCES`, and the VM administrator using `/SHOW-VM-ATTRIBUTES`.

5.5.7 Deleting a VM group

After all VMs have been removed from a VM group, the VM group can be deleted. The VM2000 administrator deletes a VM group using `/DELETE-VM-GROUP`.

5.5.8 Example of operating VM groups

The example below illustrates how the VM2000 administrator operates a VM group with two VMs on an SU /390.

```

/show-vm-resources information=*std _____ (1)
          CPU-POOL(P)
VM-ID    VM-GROUP(G)  CPU-Q   MAX-U  PROC   MEM-SIZE  MAX-IO
  1 MONITOR *STDPOOL(P)  30.00  100.00  2(+1)    512  (100)
  2 C1SYS1  *STDPOOL(P)  20.00   20.00  2(+1)    512  (100)

VM-ID    STATE          VERSION PER ADMIN PRIV
  1 MONITOR  RUNNING          V11.0A  NO  YES  AS
  2 C1SYS1  RUNNING          V10.0A  NO  NO   AS

F R E E    VM: 13          LARGEST-DOMAIN(MB): 14832
/create-vm-group vm-group-name=gcust1,cpu-quota=20,
                max-cpu-utilization=20,cpu-pool-name=*stdpool _____ (2)
VMS4401 VM GROUP 'GCUST1' CREATED
VMS4625 VM GROUP 'GCUST1' ASSIGNED TO CPU POOL '*STDPOOL'
/add-vm-to-vm-group vm-id=c1sys1,vm-group-name=gcust1,
                  member-cpu-quota=1 _____ (3)
VMS4425 VIRTUAL MACHINE (2,C1SYS1) ASSIGNED TO VM GROUP 'GCUST1'

```

- (1) The command shows the initial situation for this example:
A customer has agreed on a certain CPU capacity with the data center which corresponds to 20% of the CPU capacity on this Server Unit. The VM2000 administrator has therefore equipped the customer VM C1SYS1 with a CPU quota and a maximum CPU utilization of 20. The VM2000 administrator also operates the customer VM. The meaning of the output columns is described in more detail in the [section "Planning distribution of the CPU capacity to the VMs" on page 283](#).
- (2) The customer would now like to use a second VM. However, the specified CPU capacity should remain unchanged. For this purpose the VM2000 administrator creates the VM group GCUST1 and assigns it a CPU quota and a maximum CPU utilization of 20. The VM group is assigned to the standard CPU pool.
- (3) The customer VM C1SYS1 is added to the VM group GCUST1. The member CPU quota selected is 1; the CPU quota which the VM was given when it was created (20) is relinquished.

```

/CREATE-VM MEMORY-SIZE=512,VM-NAME=C1SYS2,PROCESSOR=*BI,
  CPU-QUOTA=*BY-VM-GROUP(VM-GROUP-NAME=GCUST1,MEMBER-CPU-QUOTA=1) ----- (4)
VMS3050 VIRTUAL MACHINE (3,C1SYS2) CREATED
VMS4425 VIRTUAL MACHINE (3,C1SYS2) ASSIGNED TO VM GROUP 'GCUST1'
VMS4615 VIRTUAL MACHINE (3,C1SYS2) ASSIGNED TO CPU POOL '*STDPOOL'
/SHOW-VM-GROUP VM-GROUP-NAME=GCUST1,INFORMATION=*ALL ----- (5)
VM-GROUP CPU-POOL CPU-Q MAX-U
GCUST1 *STDPOOL 20.00 20.00

VM-GROUP CPU-POOL VM-ID CPU-Q / EFF-Q MAX-U / EFF-U
GCUST1 *STDPOOL 2 C1SYS1 1.00 / 10.00 20.00 / 20.00
                3 C1SYS2 1.00 / 10.00 100.00 / 20.00

...

/MODIFY-VM-GROUP-ATTRIBUTES VM-GROUP-NAME=GCUST1,CPU-QUOTA=30,
  MAX-CPU-UTILIZATION=30 ----- (6)
/SHOW-VM-GROUP VM-GROUP-NAME=GCUST1,INFORMATION=*ATTRIBUTES
VM-GROUP CPU-POOL CPU-Q MAX-U
GCUST1 *STDPOOL 30.00 30.00
/MODIFY-VM-ATTRIBUTES VM-ID=C1SYS1,
  CPU-QUOTA=*BY-VM-GROUP(MEMBER-CPU-QUOTA=2),MAX-CPU-UTILIZATION=30 --- (7)

```

- (4) The customer VM C1SYS2 is created. It is added to the VM group GCUST1 when it is created (and consequently to the standard CPU pool) and is also assigned a member CPU quota of 1.
- (5) The information output for the VM group shows the status now achieved: The two customer VMs C1SYS1 and C1SYS2 share the specified CPU capacity (same CPU quota, i.e. 10% each (planned values)). The maximum CPU utilization of C1SYS2 was set to 100 by the default value in the command, but is reduced to 20 by the relevant value for the group.
- (6) After a certain time the customer requires higher CPU capacity and agrees with the data center on a CPU capacity of 30% of the Server Unit capacity. For this purpose the VM2000 administrator increases the relevant values for the VM group GCUST1.
- (7) In addition, the defined CPU capacity should be distributed to the customer VMs in such a way that C1SYS1 is assigned twice as much CPU capacity as C1SYS2. For this purpose the VM2000 administrator doubles the CPU quota of the VM CSYS1 and increases its maximum CPU utilization (from 20) to the specified share (30).


```

/show-vm-resources information=*cpu,
                               vm-id=*by-vm-group(vm-group-name=gcust1) _____ (8)
VM-ID      CPU-POOL  GR-CPU-Q  CPU-Q/  EFF-Q  MAX-U/  EFF-U  PROC
 2 C1SYS1   *STDPOOL  30.00    2.00/ 20.00  30.00/ 30.00  2(+1)
 3 C1SYS2   *STDPOOL  30.00    1.00/ 10.00 100.00/ 30.00  2(+1)

VM-ID      SCHED  ACT-I  VIRT  CPUS
 2 C1SYS1   TS     NO     00(RUN),01(RUN),02(OFF)
 3 C1SYS2   TS     NO     00(RUN),01(RUN),02(OFF)

...

/delete-vm vm-id=c1sys2 _____ (9)
VMS4429 VIRTUAL MACHINE (3,C1SYS2) REMOVED FROM VM GROUP 'GCUST1'
VMS4619 VIRTUAL MACHINE (3,C1SYS2) REMOVED FROM CPU POOL '*STDPOOL'
VMS4024 VIRTUAL MACHINE (3,C1SYS2) TERMINATED
/remove-vm-from-vm-group vm-id=c1sys1,vm-group-name=gcust1,
                          cpu-quota=30 _____ (10)
VMS4429 VIRTUAL MACHINE (2,C1SYS1) REMOVED FROM VM GROUP 'GCUST1'

```

- (8) The information output for the VM group shows the status now achieved: The two customer VMs `C1SYS1` and `C1SYS2` share the specified CPU capacity in a ratio of 2:1, i.e. 20% and 10% of the Server Unit's CPU capacity (planned values). The maximum CPU utilization of `C1SYS2` also corresponds to the specified CPU capacity because of the settings for the VM group.
- (9) After a certain time the customer no longer requires the additionally created VM `C1SYS2`. The VM2000 administrator terminates the VM.
- (10) The VM `C1SYS1` is removed from the VM group. It (again) becomes an autonomous VM with a CPU quota of 30 as the customer still wishes to use the newly defined CPU capacity. The member CPU quota is relinquished.

```

/show-vm-group vm-group-name=gcust1,information=*members ----- (11)
VM-GROUP CPU-POOL VM-ID          CPU-Q / EFF-Q  MAX-U / EFF-U
GCUST1   *STDPOOL  NONE
/delete-vm-group vm-group-name=gcust1 ----- (12)
VMS4629 VM GROUP 'GCUST1' REMOVED FROM CPU POOL '*STDPOOL'
VMS4405 VM GROUP 'GCUST1' DELETED
/show-vm-resources information=*std ----- (13)
          CPU-POOL(P)
VM-ID     VM-GROUP(G)  CPU-Q   MAX-U  PROC   MEM-SIZE  MAX-IO
  1 MONITOR *STDPOOL(P)  30.00  100.00  2(+1)    512  (100)
  2 C1SYS1  *STDPOOL(P)  30.00   30.00  2(+1)    512  (100)

VM-ID     STATE           VERSION PER ADMIN PRIV
  1 MONITOR RUNNING          V11.0A NO  YES  AS
  2 C1SYS1  RUNNING          V10.0A NO   NO  AS

F R E E      VM: 13          LARGEST-DOMAIN(MB): 14832

```

- (11) The VM group GCUST1 thus no longer has any members and can be deleted.
- (12) The VM group GCUST1 is deleted.
- (13) The information output shows that the required status has been achieved.

5.6 Operating the whole VM2000 system

The VM2000 system as a whole is operated by the VM2000 administrator. He/she is the privileged administrator who is authorized to enter all VM2000 commands.

The VM2000 administrator is also the VM administrator for the monitor VM.

The VM2000 administrator always has priority over the VM administrator. For example, the VM2000 administrator can intervene in every VM.

The VM2000 administrator operates the whole VM2000 system via the monitor VM in the ADMIN dialog.

The whole VM2000 system can also be operated from BS2000 consoles in the monitor system, e.g. if BCAM is not active in the monitor system.



Authorization code “9” is required for operating the whole VM2000 system via a BS2000 console of the monitor system.

All VM2000 commands have the authorization code “9”.

All VM2000 messages have the routing code “9”.

Only VM2000 commands can be entered and only VM2000 messages can be received on a BS2000 console that **only** has the authorization code “9”. This means that a BS2000 console of this type has the same authorization as the ADMIN dialog of the VM2000 administrator.

The VM2000 administrator can use:

- privileged VM2000 commands (VM2000 administrator commands)
- privileged functions in the VM administrator commands

The standard range of commands/functions of the VM2000 commands can be restricted for the VM2000 administrator or extended for the VM administrator (see [page 234](#)).

See also: “[Logging](#)” on [page 95](#) and [page 113](#).

5.6.1 Types of command

VM2000 commands can be split up into two groups:

- VM2000 administrator commands, e.g. /CREATE-VM
- VM administrator commands, e.g. /START-VM

VM2000 administrator commands

- are normally intended for the exclusive use of the VM2000 administrator (identical to the monitor VM administrator)
- can be entered in the ADMIN dialog with the monitor VM or (e.g. if BCAM is not active in the monitor system) at BS2000 consoles in the monitor system
- require the OPERATING privilege or the VM2000-ADMINISTRATION privilege in the ADMIN dialog via a user task
- are used to operate the whole VM2000 system.

VM administrator commands

- are normally intended for use by the VM administrator
- require the OPERATING privilege or the VIRTUAL-MACHINE-ADMINISTRATION privilege in the ADMIN dialog via a user task
- can only be input by the VM administrator in the ADMIN dialog for his/her VM
- are used to operate a virtual machine
- can be used by the VM2000 administrator for any other VMs
- can have operand values whose use is restricted to the VM2000 administrator

Exceptions arise when the command/function range is extended and reduced for the VM and VM2000 administrator (ADMIN-PRIVILEGES, see [page 234](#)).

5.6.2 Overview of commands for VM2000 operation

Operation group	Command	VM2000 administrator Command	Privileged functions	Restrictions
Initializing a VM	CREATE-VM	x		(4)
Device management for a VM	ADD-VM-DEVICES	x	(6)	
	REMOVE-VM-DEVICES		(1)	
	SWITCH-VM-DEVICES	x		
	MODIFY-VM-DEVICE-ATTRIBUTES	x		
	MODIFY-VM-DEVICE-USAGE	x	(6)	
Managing assignment sets (see also page 326)	CREATE-VM-ASSIGNMENT-SET	x		
	DELETE-VM-ASSIGNMENT-SET	x		
	SHOW-VM-ASSIGNMENT-SET	x		
Starts administration or operation	BEGIN-VM-DIALOG			(5)
Starting the guest system on a VM	START-VM		(1)	(4)
Information services	SHOW-VM-ATTRIBUTES		(1) (2)	
	SHOW-VM-DEVICE-STATUS	x	(6)	
	SHOW-VM-RESOURCES	x	(6)	
	SHOW-VM-STATUS	x		
Resource management (real CPUs) (main memory)	MODIFY-VM-ATTRIBUTES	x	(6) (9)	
	ATTACH-VM-RESOURCES	x		
	DETACH-VM-RESOURCES	x		
	EXTEND-VM-MEMORY	x		
	REDUCE-VM-MEMORY	x		
Command processing via VM2000 procedure	CALL-VM-PROCEDURE		(1)	(5), (7)
Suspending a VM	HOLD-VM		(1) (3)	(4)
Canceling a wait state	RESUME-VM		(1) (3)	(4)

Operation group	Command	VM2000 administrator Command	Privileged functions	Restrictions
[390] Moving a VM within main memory	MOVE-VM	x		(4)
Migrating a VM in the SU cluster	CHECK-VM-MIGRATION	x		(4)
	MIGRATE-VM	x		(4)
Sends a message to VM administrators	SEND-VM-MESSAGE			
Modifying parameters for \$VMCONS	MODIFY-VMCONS-PARAMETERS	x		
Terminates administration or operation	END-VM-DIALOG		(1)	
Aborting a guest system	RESET-VM		(1)	(4)
Shutdown in the guest system and of VM2000	SHUTDOWN-VM		(1) (8)	(4)
Terminating a VM	DELETE-VM		(1) (3)	(4)
Working with VM definitions (see also page 200)	CREATE-VM-DEFINITION	x		
	ACTIVATE-VM-DEFINITION	x		(10)
	MIGRATE-VM-DEFINITION	x		(10)
	MODIFY-VM-DEFINITION	x		(10)
	SHOW-VM-DEFINITION	x		
	DELETE-VM-DEFINITION	x		(10)
[390] Operating VM groups (see also page 217)	CREATE-VM-GROUP	x		
	ADD-VM-TO-VM-GROUP	x		
	REMOVE-VM-FROM-VM-GROUP	x		
	MODIFY-VM-GROUP-ATTRIBUTES	x		
	SHOW-VM-GROUP	x		
	DELETE-VM-GROUP	x		

Operation group	Command	VM2000 administrator Command	Privileged functions	Restrictions
Managing CPU pools (see also page 269)	CREATE-VM-CPU-POOL	x		
	390 ASSIGN-VM-GROUP-TO-CPU-POOL	x		
	ASSIGN-VM-TO-CPU-POOL	x		
	SWITCH-VM-CPU	x		
	SHOW-VM-CPU-POOL	x		
	DELETE-VM-CPU-POOL	x		
Managing the VM2000 configuration (see also from page 396)	CHECK-VM-DISK-CONFIGURATION	x		
	SAVE-VM-CONFIGURATION	x		
	RESTORE-VM-CONFIGURATION	x		

- (1) The VM2000 administrator may also specify the VM-IDs of other VMs. The VM administrator is only allowed to specify the VM-ID of his/her own VM.
- (2) With VM-ID=*VM2000/*BY-VM-GROUP/*BY-CPU-POOL/<name 1..8 with-wild(20), the VM2000 administrator can request information about several VMs.
- (3) The VM2000 administrator can manage all VMs by means of VM-ID=*ALL.
- (4) This command is rejected for the monitor VM.
- (5) This command cannot be entered from a BS2000 console of the monitor system.
- (6) This command can also be used by VM administrators with ADMIN-PRIVILEGES=*MAXIMUM (see [page 235](#)).
- (7) This command cannot be issued from a user task.
- (8) Here the VM2000 administrator may terminate all guest systems using VM-ID=*VM-GUESTS, and the overall VM2000 system using VM-ID=*VM2000.
- (9) Here the VM2000 administrator may modify the setting for the PERSISTENT attribute and the entries for the automatic start in the VM definition of an initialized VM.
- (10) These commands can only be entered for VM definitions of uninitialized VMs.

5.6.3 Privileged functions

The VM administrator can use the VM administrator commands only on his/her VM. The VM2000 administrator can also use VM administrator commands on any VMs. The VM2000 administrator has the following individual privileges:

- **Addressing any VMs**
The VM2000 administrator may specify the VM-IDs of other VMs. The VM administrator is only allowed to access his/her own VM, which was assigned using `/BEGIN-VM-DIALOG`.
- **Managing all VMs**
With the aid of `/HOLD-VM`, `/RESUME-VM` and `/DELETE-VM`, the VM2000 administrator can control operations on all VMs (`VM-ID=*ALL`).
Using the `/SHUTDOWN-VM` command, the VM2000 administrator can manage all VMs with the exception of the monitor VM (`VM-ID=*VM-GUESTS`).
- **Specifying information for several VMs**
Using `/SHOW-VM-ATTRIBUTES`, the VM2000 administrator can output information for several VMs
(`VM-ID=*VM2000/*BY-VM-GROUP/*BY-CPU-POOL/<name 1..8 with-wild(20)`).

5.6.4 Restrictions in VM2000 commands/functions

Restrictions affecting the monitor VM and the monitor system

Some VM2000 commands must not be used for the monitor VM or the monitor system. The following restrictions apply:

- The monitor VM **cannot**
 - be initialized (/CREATE-VM)
 - be started using /START-VM
 - be suspended (/HOLD-VM, /RESUME-VM)
 - be moved within main memory (/MOVE-VM)
 - be migrated (/MIGRATE-VM)
 - be terminated (/DELETE-VM)

Monitor VM and monitor system are initialized and started during initialization of VM2000 operation and terminated with /SHUTDOWN-VM VM-ID=*VM2000, with the BS2000 shutdown of the monitor system or via the SE manager.

- The monitor system **cannot**
 - be aborted (/RESET-VM)
 - be terminated as an individual guest system using /SHUTDOWN-VM
- Virtual consoles are **prohibited** for the monitor VM (/ADD-VM-DEVICES . . . , TYPE=*VC).
- The monitor VM cannot be monitored with MONJVs.
- The monitor VM and its VM definition cannot be made persistent.

Special considerations regarding input from a BS2000 console of the monitor system

- The commands /BEGIN-VM-DIALOG and /CALL-VM-PROCEDURE cannot be entered from a BS2000 console of the monitor system.
- VM2000 procedures can be called from BS2000 consoles of the monitor system by means of /RUN, in which case the commands /REMARK and /STEP are ignored. The procedure must not contain any continuation lines.
- In all commands entered from a BS2000 console of the monitor system, the operand VM-ID=*CURRENT is assumed as the selection for the monitor VM.

5.6.5 Extending and restricting the range of commands/functions

The standard division into VM2000 administrator commands and VM administrator commands can be modified in the following two ways:

- Restricting the command or function range for the VM2000 administrator
- Extending the command or function range for the VM administrator.

Restrictions for the VM2000 administrator

The command/function range for the VM2000 administrator can be restricted:

- **390**
On SU /390 when initializing the monitor VM, with `/CREATE-VM ... ,ADMIN-PRIVILEGES=*MINIMUM`.
- in the current VM2000 session, with `/MODIFY-VM-ATTRIBUTES ... ,ADMIN-PRIVILEGES=*MINIMUM`

The following table shows the restrictions for the individual commands when `ADMIN-PRIVILEGES=*MINIMUM` is specified.

Operation group	Command	Restrictions
Starting the guest system on a VM	START-VM	(1)
Resource management	MODIFY-VM-ATTRIBUTES	(3)
Command processing via procedure call	CALL-VM-PROCEDURE	(2)
Suspending a VM	HOLD-VM	(1)
Canceling a wait state	RESUME-VM	(1)
Terminating ADMIN or VC dialog	END-VM-DIALOG	(2)
Output of VM2000 monitored data	SHOW-VM-STATUS	(2)

- (1) These commands are no longer usable by the VM2000 administrator.
- (2) The VM2000 administrator may use these commands only for the monitor VM.
- (3) This command can be used by the VM2000 administrator for the monitor VM with the exception of the `ADMIN-PRIVILEGES` operand. The VM2000 administrator can only use this command for another VM with the operand `ADMIN-PRIVILEGES=*MAXIMUM`.

All other commands remain unaffected. This enables VM2000 operation in which the VM2000 administrator is largely separated from the VMs.

For reasons of security it is **not** possible to revoke a restriction imposed by the operand `ADMIN-PRIVILEGES=*MINIMUM` during the current VM2000 session.

Extensions for the VM administrator

The command/function range can be extended for the VM administrator:

- When initializing a VM (except for the monitor VM), with `/CREATE-VM ... ,ADMIN-PRIVILEGES=*MAXIMUM`
- After initializing a VM (except for the monitor VM), with `/MODIFY-VM-ATTRIBUTES ... ,ADMIN-PRIVILEGES=*MAXIMUM`



The command/functional scope for the VM2000 administrator can also be entered in the VM definition with `/CREATE-/MODIFY-VM-DEFINITION`. Detailed information can be found in the [section “Working with VM definitions” on page 200](#).

The following table shows the extensions for the individual commands if `ADMIN-PRIVILEGES=*MAXIMUM` is specified.

Operation group	Command	Extensions
Device management for a VM	ADD-VM-DEVICES	(1)
	MODIFY-VM-DEVICE-USAGE	(1)
Information services	SHOW-VM-DEVICE-STATUS	(2)
	SHOW-VM-RESOURCES	(2)
Resource management	MODIFY-VM-ATTRIBUTES	(1)

- (1) The VM administrator may also use these commands for his/her own VM, with all the attendant functions.
- (2) The VM administrator may also use these commands, with all the attendant functions.

All other commands remain unaffected. The VM administrator cannot access any other VMs. This enables VM2000 operation in which some of the management functions can be dealt with by the VM administrators (e.g. test runs).

The extensions are revoked with `/MODIFY-VM-ATTRIBUTES ... ,ADMIN-PRIVILEGES=*STD` or with `/DELETE-VM`.

5.6.6 VM2000 functions in the SE Manager

Fundamental VM2000 functions for managing the BS2000 VMs are also available to the SE server administrators via the SE Manager. The table below provides an overview of the functions.

These functions are described in detail in the “Operation and Administration” manual [19]. They are not described in detail in this manual.

VM2000 function	VM2000 command	SE Manager <i>Systems > SU <SU name> selected > Virtual machines > BS2000</i> ¹
Initializing a VM Creating a VM definition	/CREATE-VM /CREATE-VM- DEFINITION	<i>VM administration tab, Create new BS2000 VM button</i> ²
Activating a VM definition	/ACTIVATE-VM- DEFINITION	<i>VM <vm-name> selected, Operation tab, Activate BS2000 VM action</i>
Starting the guest system on the VM	/START-VM DIAGNOSTIC-IPL= <u>*NO</u>	<i>VM <vm-name> selected, Operation tab, BS2000 IPL</i> ² action
Starting the guest system on the VM (diagnostic IPL)	/START-VM DIAGNOSTIC-IPL= <u>*YES</u>	<i>VM <vm-name> selected, Operation tab, BS2000 Dump IPL</i> ² action
Performing a shutdown in the guest system	/SHUTDOWN-VM VM=<vm-id>	<i>VM <vm-name> selected, Operation tab, BS2000 Shutdown action</i>
Assigning devices explicitly Entering devices in the VM definition	/ADD-VM-DEVICES /MODIFY-VM- DEFINITION DEVICES=*ADD	<i>VM <vm-name> selected, Disks/KVP/Tape devices tabs Assign disk / KVP / ... button All devices tab Assign devices button</i>
Removing devices Removing devices from the VM definition	/REMOVE-VM-DEVICES /MODIFY-VM- DEFINITION DEVICES=*REMOVE	<i>VM <vm-name> selected, Disks/KVP/Tape devices tabs Remove action icon All devices tab Remove devices button</i>
Changing usage mode of disk devices Changing usage mode of disk devices in the VM definition	/MODIFY-VM-DEVICE- USAGE /MODIFY-VM- DEFINITION DEVICES=*MODIFY	<i>VM <vm-name> selected, Disks tab, Change action icon</i>

VM2000 function	VM2000 command	SE Manager <i>Systems > SU <SU name> selected ></i> <i>Virtual machines > BS2000</i> ¹
Displaying the VM attributes Displaying the attributes of VM definitions	/SHOW-VM-ATTRIBUTES /SHOW-VM-RESOURCES /SHOW-VM-DEFINITION	<i>VM administration,</i> <i>VM resources, VM options and</i> VM <vm-name> selected, <i>Operation tab</i>
Changing the VM attributes Changing the attributes of VM definitions	/MODIFY-VM-ATTRIBUTES /MODIFY-VM-DEFINITION	<i>VM resources tab,</i> <i>Change</i> ³ <i> action icon and</i> <i>VM options tab,</i> <i>Change action icon</i>
Displaying the attributes of the CPU pools	/SHOW-VM-CPU-POOL	<i>VM resources tab</i>
Assigning a VM to a CPU pool	/ASSIGN-VM-TO-CPU-POOL ATTACHED-VM-CPUS=*CHECK-NUMBER	<i>VM resources tab,</i> <i>Change action icon</i>
Migrating a VM Migrating a VM definition	/MIGRATE-VM /MIGRATE-VM-DEFINITION	VM <vm-name> selected, <i>Operation tab,</i> <i>Migrate BS2000 VM action</i>
Terminating a VM	/DELETE-VM	VM <vm-name> selected, <i>Operation tab,</i> <i>Deactivate BS2000 VM action</i> <i>(persistent VM)</i> <i>Deactivate and delete BS2000 VM action</i> <i>(non-persistent VM)</i>
Deleting a VM definition	/DELETE-VM-DEFINITION	<i>VM administration tab</i> <i>Delete action icon</i>

¹ The navigation > BS2000 is not provided on SU /390 because only BS2000 VMs are managed.

² Some parameters are assigned default values.

³ Some attributes cannot be changed.

5.7 VM2000 in the guest systems

VM2000 in the monitor system and the other BS2000 guest systems

This section is also aimed at systems support in all BS2000 guest systems (even in the monitor system). It describes how (guest) systems support receives information on VM2000 and how it can use VM2000 functions for the guest system. In addition, the VM2000 functions are mentioned whose execution entails the interworking of VM2000 and the guest system.

A guest system under VM2000 is partitioned off from the other guest systems. It behaves in production operation like an operating system in native operation.

The following options for information output and interaction are offered for a guest system (thus also for the monitor system):

For all Server Units

- The nonprivileged macro VMGINF provides global VM2000 information (see the “Executive Macros” manual [16]).
- Output of global VM2000 information in all guest systems (see [page 246](#) and the BS2000 command /SHOW-SYSTEM-INFORMATION in the “Commands” manual [13]).
- Output of VM2000 information on devices and pubsets in the guest system as well (see [page 251](#) and the BS2000 command /SHOW-DEVICE-CONFIGURATION in the “Commands” manual [13]).
- In the case of /SHUTDOWN-VM, VM2000 and the guest systems concerned interwork to execute shutdown processing (see [page 81](#)).
- Dynamic main memory reconfiguration is carried out by VM2000 together with the guest system (see [page 315](#)).
- Implicit assignment of (pubset) devices to the VM and implicit release of (pubset) devices of the VM by the operator in the guest system (see [page 326](#) and the description of the BS2000 reconfiguration commands mentioned there as of [page 241](#) and in the “Commands” manual [13]).
- For devices that are attached in the guest system and that are possibly still in use, explicit device assignment can be converted to an implicit device assignment. The device then remains with the VM until the guest system detaches the device (see “Explicit removal of devices” on [page 326](#)).
- The BS2000 utility routine IORM can be used in all guest systems. It operates on a cross-guest-system basis and is administered in the monitor system. The IO limit of the IORM function IOLVM is set on SU /390 by means of VM2000 commands (see [page 392](#) and the “Utility Routines” manual [3]).

- In the case of measurements with the openSM2 measurement monitor, measurement information on the VM of the guest system is output in the VM2000 report and in the SM2R1 reports 98 and 99 (see [page 421](#) and the “openSM2” manual [9]).
- The guest systems are informed about the failure of the monitor system and about the renewed readiness of the system for operation (messages NRTV001 – NRTV003, see [page 704](#)).
- Guest systems are included in certain steps of the VM Migration.

For SU /390

- In the case of /MOVE-VM, VM2000 and the guest systems concerned interwork to provide protection in the MSCF network (see [page 165](#)).
- Using the BS2000 command /MODIFY-IO-UNIT you can specify in the guest systems a different base or alias device that is to be preferred under VM2000 for I/Os of this guest system (see [page 382](#) and [page 245](#) and in the “Commands” manual [13]).
- SLEDFILES with the dump object VM2000 can be evaluated with DAMP (see [page 714](#) and the “Diagnostics Handbook” manual [4]).
- In the case of guest system SLEDs, the diagnostic data of the VM2000 hypervisor is contained in the SLEDFILE (see [page 700](#) and the “Introduction to System Administration” manual [2]).

VM2000 in the monitor system

The monitor system has a special role. The following options for information output and controlling the guest system operation are additionally offered for the monitor system.

For all Server Units

- The security administrator in a BS2000 guest system can use the `VIRTUAL-MACHINE-ADMINISTRATION` and `VM2000-ADMINISTRATION` privileges to permit the operation of his/her own VM or of VM2000 for a user task using VM2000 commands (see [page 93](#) and the “Introduction to System Administration” [2]).
- In measurements using the openSM2 measurement monitor, measurement information on all VMs is output in the VM2000 report and in SM2R1 reports 98 and 99 (see [page 421](#) and the “openSM2” manual [9]).

For SU/390

- (Global) reconfiguration of hardware units and paths in all the active guest systems by the operator in the monitor system (see [page 307](#) and the description of the BS2000 reconfiguration commands mentioned there as of [page 241](#) and in the “Commands” manual [13]).
- Interplay between VM2000 and the operating in the monitor system during dynamic I/O configuration modification of channel devices (see [page 394](#) and the “Introduction to System Administration” manual [2]).

ATTACH-DEVICE

Attach hardware units

This command allows the operator to make one or more hardware units available, i.e. the operating system is permitted to use these units for I/O operations.

Format (VM2000-specific operands)

ATTACH-DEVICE
<pre> UNIT = ... / *CHANNEL(...) / *CONTROLLER(...) / *CHANNEL-RANGE(...) / *PUBSET-DEVICES(...) / *CHANNEL(...) CHANNEL-PATH-ID = list-poss(16): <x-text 2..2> ,SCOPE = *OWN-SYSTEM-ONLY / *VM2000-GLOBAL *CONTROLLER(...) CONTROLLER-UNIT = list-poss(16): <alphanum-name 2..2> / <x-text 4..4> ,SCOPE = *OWN-SYSTEM-ONLY / *VM2000-GLOBAL *CHANNEL-RANGE(...) FROM = <x-text 2..2> ,TO = <x-text 2..2> ,SCOPE = *OWN-SYSTEM-ONLY / *VM2000-GLOBAL *PUBSET-DEVICES(...) PUBSET = list-poss(255): <cat-id 1..4> / *BY-PUBRES-DEVICE(...) *BY-PUBRES-DEVICE(...) UNIT = list-poss(255): <alphanum-name 2..2> / <x-text 4..4> ... </pre>

Description of the operands (VM2000-specific operands)

UNIT = *CHANNEL(...) / *CONTROLLER(...) / *CHANNEL-RANGE(...) / *PUBSET-DEVICES(...)

Specifies the channels or controllers or pubsets that are to be attached. The devices of a pubset can also be controlled as a unit (with analogous syntax `*PUBSET-DEVICES(...)`) in the VM2000 commands.

SCOPE = (nur für *CHANNEL, *CONTROLLER, *CHANNEL-RANGE)

Specifies how the command is to be executed under VM2000.

SCOPE = *OWN-SYSTEM-ONLY

The command is only carried out in the local system.

SCOPE = *VM2000-GLOBAL

If entered on the monitor system (SU /390), the command is executed on all guest systems.

If entered in another guest system or in the monitor system of an SU x86, the command is rejected with message NKR0178.

DETACH-DEVICE**Detach hardware units**

This command allows the operator to detach one or more hardware units from the system and thus prevent the operating system from using these units.

Format (VM2000-specific operands)**DETACH-DEVICE**

```
UNIT = ... / *CHANNEL(...) / *CONTROLLER(...) / *CHANNEL-RANGE(...) / *PUBSET-DEVICES(...) / ...
```

```
...
```

***CHANNEL(...)**

```
  CHANNEL-PATH-ID = list-poss(16): <x-text 2..2>
```

```
  ,SCOPE = *OWN-SYSTEM-ONLY / *VM2000-GLOBAL
```

***CONTROLLER(...)**

```
  CONTROLLER-UNIT = list-poss(16):<alphanum-name 2..2> / <x-text 4..4>
```

```
  ,SCOPE = *OWN-SYSTEM-ONLY / *VM2000-GLOBAL
```

***CHANNEL-RANGE(...)**

```
  FROM = <x-text 2..2>
```

```
  ,TO = <x-text 2..2>
```

```
  ,SCOPE = *OWN-SYSTEM-ONLY / *VM2000-GLOBAL
```

***PUBSET-DEVICES(...)**

```
  PUBSET = list-poss(255): <cat-id 1..4> / *BY-PUBRES-DEVICE(...)
```

```
    *BY-PUBRES-DEVICE(...)
```

```
      UNIT = list-poss(255): <alphanum-name 2..2> / <x-text 4..4>
```

```
...
```

```
,FORCE = *STD / *YES / *NO(...) / *UNCONDITIONAL-OFFLINE
```

Description of the operands (VM2000-specific operands)**UNIT = *CHANNEL(...) / *CONTROLLER(...) / *CHANNEL-RANGE(...) / *PUBSET-DEVICES(...)**

Specifies the channels or controllers or pubsets that are to be detached. The devices of a pubset can also be controlled as a unit (with analogous syntax *PUBSET-DEVICES(. . .)) in the VM2000 commands.

SCOPE = (nur für *CHANNEL, *CONTROLLER, *CHANNEL-RANGE)

Specifies how the command is to be executed under VM2000.

SCOPE = *OWN-SYSTEM-ONLY

The command is only carried out in the local system.

SCOPE = *VM2000-GLOBAL

If entered on the monitor system (SU /390), the command is executed on all guest systems.

If entered in another guest system or in the monitor system of an SU x86, the command is rejected with message NKR0178.

The command is rejected for hardware units if one of the guest systems is protected against global detachment (system parameter VMGIORAL=NO) and if the hardware unit that is to be detached is not yet in the DETACHED state (unless FORCE=*UNCONDITIONAL-OFFLINE has been specified for channels).

...

FORCE =

Specifies the mode of execution.

FORCE = *UNCONDITIONAL-OFFLINE

Operand value only for SU /390.

The reconfiguration request is to be executed regardless. In contrast to FORCE=*YES, the hardware action associated with the request must always be carried out. This setting is only permissible when channels are detached (CHANNEL or CHANNEL-RANGE).

The protection of one of the guest systems against global detachment (system parameter VMGIORAL=NO) is ignored when this operand is specified.

INCLUDE-DEVICE-CONNECTION**Add logical connections**

See /REMOVE-DEVICE-CONNECTION.

REMOVE-DEVICE-CONNECTION

Remove logical connections

x86 Global reconfiguration of hardware units is not available on SU x86. When VM2000-specific operands for global configuration are specified in these BS2000 commands, the commands are rejected with the message NKR0178.

The operator can use these commands to add or remove logical connections between the hardware units (CHN, CTL, DVC) to or from system, i.e. the operating system is permitted to use these connections or prevented from using them.

Format (VM2000-specific operands)

<pre> INCLUDE-DEVICE-CONNECTION / REMOVE-DEVICE-CONNECTION FROM = *CHANNEL(...) / *CONTROLLER(...) / list-poss(8): <alphanum-name 2..2> / <x-text 4..4> ... SCOPE = *OWN-SYSTEM-ONLY / *VM2000-GLOBAL ... </pre>

Description of the operands (VM2000-specific operands)

SCOPE =

Specifies how the command is to be executed under VM2000.

SCOPE = *OWN-SYSTEM-ONLY

The command is only carried out in the local system.

SCOPE = *VM2000-GLOBAL

If entered on the monitor system (SU /390), the command is executed on all guest systems. If entered in another guest system or in the monitor system of an SU x86, the command is rejected with message NKR0178.

MODIFY-IO-UNIT

Modify the configuration properties of the input/output unit

x86 PAV devices (channel) are not available on SU x86, where the inputs/outputs are automatically parallelized by X2000. The VM2000-specific operands for prioritizing PAV devices in this BS2000 command consequently have no effect on SU x86.

This command allows systems support to modify the configuration properties of controllers or devices dynamically.

Format (VM2000-specific operands)

MODIFY-IO-UNIT
<pre> UNIT = *CONTROLLER(...) / *DEVICE(...) ... *DEVICE(...) NAME = <alphanum-name 2..2> / <x-text 4..4> / *RANGE(...) ,STATE = *UNCHANGED / *PREFERRED-PATH(...) / *PAV-PREFERRED-DEVICE(...) *PAV-PREFERRED-DEVICE(...) ,PAV-PREFERRED-DEVICE = *UNCHANGED / *NO / *YES ... </pre>

Description of the operands (VM2000-specific operands)

UNIT = *DEVICE(...)

The configuration properties of a device are to be modified.

STATE = *PAV-PREFERRED-DEVICE(...)

Specifies whether the base or alias device should be given preference under VM2000 for I/Os.

PAV-PREFERRED-DEVICE = *UNCHANGED

The current setting remains unchanged.

PAV-PREFERRED-DEVICE = *YES

The base or alias device is preferred under VM2000 for I/Os.

PAV-PREFERRED-DEVICE = *NO

The preference is canceled.

SHOW-SYSTEM-INFORMATION

Display information on the current system

The user can use `/SHOW-SYSTEM-INFORMATION` to obtain data on the current system run.

You can obtain the following system information on VM2000 operation:

- information on the current system configuration (SYSID, home pubset, BS2000 host name, VM identification, system name and origin of the system parameters at system startup)
- the VM2000 version
- information on the monitor system (BS2000 OSD/BC version and BS2000 host name)

The command supports structured output to S variables.

Format (VM2000-specific operands)

```
SHOW-SYSTEM-INFORMATION
```

```
INFORMATION = *ALL / . . . / *HSI-ATTRIBUTES / *SYSTEM-CONFIGURATION /
               *VM2000-VERSION / *VM2000-MONITOR-SYSTEM / . . .
```

```
,OUTPUT = *SYSOUT / *SYSLST
```

```
,SERVER-UNIT = *STD / *INITIAL / *CURRENT
```

Description of the operands (VM2000-specific operands)

INFORMATION =

Specifies which system information is to be output.

INFORMATION = *HSI-ATTRIBUTES

Provides information on the hardware-software interface (HSI) in the form:

```
HSI-ATT:      TYPE                = IX / KM / UD
              ASF                  = NO / YES
              OPERATION-MODE      = NATIVE / VM2000
```

Meaning of the output values

OPERATION-MODE Provides information on the use of VM2000:

=NATIVE The operating system is not running as a guest system under VM2000.

=VM2000 The operating system is running as a guest system under VM2000.

INFORMATION = *SYSTEM-CONFIGURATION

Provides information on the configuration of the BS2000 system in the form:

```
SYSTEM-CONF:  SYSID           = <sysid>
               HOME-PUBSET    = <cat-id>
               HOST-NAME       = <host-name>
               VM-INDEX        = <vm-index>
               VM-NAME         = <vm-name>
               SYSTEM-NAME     = <sys-name>
               SYSPAR-BS2-SEL  = *STD / *BY-VM-NAME / *BY-SYSTEM-NAME / ...
```

Meaning of the output values

<vm-index> In VM2000 operation, the VM index in the format <integer 1..99>;
in native operation 0.

<vm-name> In VM2000 operation, the VM name in the format <name 1..8>; in
native operation *NONE.

*BY-VM-NAME Selection of the BS2000 parameter file SYSPAR.BS2.vvv.<vm-name>;
vvv corresponds to the BS2000 version without a period; <vm-name>
corresponds to VM name.

*BY-SYSTEM-NAME Selection of the BS2000 parameter file SYSPAR.BS2.vvv.<sys-
name>; vvv corresponds to the BS2000 version without a period;
<sys-name> corresponds to system name (SU x86).

INFORMATION = *VM2000-VERSION

Provides information on the VM2000 version in VM2000 operation:

```
VM2000-VERSION        = <vm2000-version>
```

Meaning of the output values

<vm2000-version> Version in DOD format e.g. V11.5A

INFORMATION = *VM2000-MONITOR-SYSTEM

Provides information on the monitor system in VM2000 operation:

```
VM2000-MONITOR-  OSD-BC-VERSION    = <osd-bc-version>
SYSTEM:          HOST-NAME            = <host-name>
```

Meaning of the output values

<osd-bc-version> Version in DOD format, e.g. V11.0A0000

<host-name> BS2000 host name of the monitor system, e.g. D016ZE10

SERVER-UNIT = *STD

The currently valid settings of the BS2000 session should be used.

SERVER-UNIT = *INITIAL

Output are the data of the Server Unit on which the IPL was executed.

SERVER-UNIT = *CURRENT

Output are the data of the Server Unit on which the BS2000 session is currently running (if necessary after a Live Migration).



The default value is usually `SERVER-UNIT=*INITIAL`, i.e. the SU on which the IPL was executed. Because of this, the SU does not change, even after a VM Migration. To output the (VM2000) data of the current SU, `SERVER-UNIT=*CURRENT` has to be specified explicitly!

Example (in the monitor VM)

```

/show-system-information information=*all _____ (1)
%CONFIGURATION = 390SU- 700- 40
%CPU-ID-LIST :   ADR  0 = 3002900126000000
%              ADR  1 = 3012900126000000
%              ADR  2 = 3022900126000000
%HSI-ATT :      TYPE = IX _____ (2)
%              ASF   = YES
%              OPERATION-MODE = VM2000
%MEMORY-SIZE = 512 MB
%MINIMAL-MEMORY-SIZE = 512 MB
%BS2000-ID :    NAME = 010BXS
%              VERSION = V20.0A0000
%              OSD-BC-VERSION = V11.0A0000
%              CREATED = <date><time>
%IOCONF-ID :    NAME = SU700001
%              VERSION = V20.0A00
%              CREATED = <date><time>
%              FORMAT = IORSF01
%IPL-TIME = <date><time>
%SYSTEM-CONF :  SYSID = 123 _____ (3)
%              HOME-PUBSET = SEMA
%              HOST-NAME = ABGSE211
%              VM-INDEX = 1
%              VM-NAME = MONITOR
%              SYSTEM-NAME = *NONE
%              SYSPAR-BS2-SEL = *BY-IOCONF-ID-NAME
%              LIVE-MIG-COUNT = 0 _____ (4)
%VM2000-VERSION = V11.5A _____ (5)
%VM2000-MONITOR- OSD-BC-VERSION = V11.0A0000 _____ (6)
% SYSTEM:      HOST-NAME = ABGSE211
%SYSTEM-TIME-  ZONE = +01:00
% PARAMETER:  SEASON = S
%              SEASON-DIFFERENCE = 01:00
%              PREV-CHANGE-DATE = <date><time>
%              NEXT-CHANGE-DATE = <date><time>
%              SYNCHRONIZATION = SERVER-CONN-EXT-REF
%              EPOCH = 00

```

- (1) All the information of the command is to be displayed
- (2) Corresponds to the output for INFORMATION=*HSI-ATTRIBUTES
- (3) Corresponds to the output for INFORMATION=*SYSTEM-CONFIGURATION
- (4) Counter for the VM Migrations (Live Migration)
- (5) Corresponds to the output for INFORMATION=*VM2000-VERSION

- (6) Corresponds to the output for INFORMATION=*VM2000-MONITOR-SYSTEM

Output in S variables

The command provides information on the current system that is running.

INFORMATION=*ALL outputs all the variables.

Notation of command	Abbreviated form used in table
...	...
INFORMATION = *HSI-ATTRIBUTES	3
INFORMATION = *SYSTEM-CONFIGURATION	9
INFORMATION = *VM2000-VERSION	10
INFORMATION = *VM2000-MONITOR-SYSTEM	11

Ausgabe-Information	Name der S-Variablen	T	Inhalt	Bedingung
...				
Operational mode of the operating system	var(*LIST).HSI-ATTR.OPERATION-MODE	S	NATIVE VM2000	3
VM index (in VM2000 operation)	var(*LIST).SYS-CONF.VM-INDEX	I	<integer 1..99>	9
VM name (in VM2000 operation)	var(*LIST).SYS-CONF.VM-NAME	S	<c-string 1..8>	9
VM2000 version in VM2000 operation, otherwise *NONE	var(*LIST).VM2000-VERSION	S	<c-string 6> *NONE	10
BCAM name of the monitor system (in VM2000 operation), otherwise *NONE	var(*LIST).VM-MONITOR.HOST-NAME	S	<c-string 8> *NONE	11
BS2000 version of the monitor system (during VM2000 operation), otherwise *NONE	var(*LIST).VM-MONITOR.OSD-BC-VERSION	S	<c-string 10> *NONE	11

SHOW-DEVICE-CONFIGURATION

Display system configuration and availability

`/SHOW-DEVICE-CONFIGURATION` provides information on the system configuration and the availability of the hardware units (refer also to the commands manual [13] for the meaning of the output columns of the device management `SHOW` commands).

The command supports structured output to S variables.

Format (VM2000-specific operands)

SHOW-DEVICE-CONFIGURATION	(VM2000 specific)
<pre> UNIT = <u>*STD</u> / *SELECT(...) / *PUBSET-DEVICES(...) / ... *SELECT(...) CLASS = <u>*ALL</u> / ... / *DEVICE(...) *DEVICE(...) TYPE = <u>*ALL</u> / <device> ,VM-ASSIGNMENT = <u>*ANY</u> / *NO / *YES / *BY-GUEST-POSSIBLE ,ATTRIBUTE = *PUBSET-DEVICES(...) PUBSET = <cat-id 1..4> / *BY-PUBRES-DEVICE(...) *BY-PUBRES-DEVICE(...) UNIT = <alphanum-name 2..2> / <x-text 4..4> ,INFORMATION = <u>*STD</u> / ... / *VM2000 </pre>	

Description of the operands (VM2000-specific operands)

UNIT = *SELECT(...) / *PUBSET-DEVICES(...)

Specifies a subset of the hardware units known to the system for which information is output. The hardware units are selected using device class and state or using a pubset. The devices of a pubset can also be controlled as a unit (with the same syntax `*PUBSET-DEVICES(...)`) in the VM2000 commands.



In order to obtain information on the pubset devices (`*PUBSET-DEVICES` operand), the guest system attempts, if necessary, to implicitly assign and attach the pubres device (and the volres devices) to the VM for the duration of command processing.

CLASS = *DEVICE(...)

Information on end devices is displayed.

TYPE = *ALL / <device>

Information is output on end devices of the specified device type. *ALL is the default. In other words, all the device types are displayed by default. When a device type is specified explicitly, only device or volume types that are known in the system are accepted. The possible device and volume types are displayed in the dialog with DEVICE-TYPE=?.

VM-ASSIGNMENT = *ANY / *NO / *YES / *BY-GUEST-POSSIBLE

Information is displayed on end devices that have the specified status. *ANY is the default. In other words, output is not dependent on this status by default.

VM-ASSIGNMENT = *NO

Information is displayed on end devices not assigned to own VM.

VM-ASSIGNMENT = *YES

Information is displayed on end devices assigned to own VM.

VM-ASSIGNMENT = *BY-GUEST-POSSIBLE

Information is displayed on end devices that are not assigned to their own VM but that can be temporarily assigned implicitly (using /ATTACH-DEVICE, for example).

...

INFORMATION = *VM2000

Information on possible assignment to own VM and on usage by own VM.

Output format:

MNEM UN-CLASS UN-TYPE CONF-STATE VM-ASSIGN VM-USAGE

Example

```

/show-device-configuration unit=(d2,d3,d4,d5,d6,d7,d8,p2,p3,m4),
                               information=*vm2000 _____ (1)
MNEM UN-CLASS UN-TYPE CONF-STATE VM-ASSIGN VM-USAGE _____ (2)
D2   DVC      D3435  ATTACHED  BY-GUEST  SH(I)
D3   DVC      STDDISK DET(EX)   BY-VM-ADM SH(D)
D4   DVC      D3435  DET(EX)   BY-GUEST-POSS SH(D)
D5   DVC      STDDISK DET(EX)   BY-GUEST-POSS NONE
D6   DVC      STDDISK DET(EX)   ELSEWHERE  EXCL
D7   DVC      D3435  ATTACHED  BY-VM-ADM  EXCL
D8   DVC      D3435  ATTACHED  BY-VM-ADM  EXCL
P2   DVC      HNC     ATTACHED  BY-GUEST   EXCL
P3   DVC      HNC     ATTACHED  BY-GUEST   EXCL
M4   DVC      LTO-U3  DET(EX)   BY-GUEST-POSS EXCL
    
```

- (1) VM2000 information is requested for the devices specified
- (2) See [page 254](#) for the meaning of the output columns VM-ASSIGN and VM-USAGE

S variables

Ausgabe-Information	Name der S-Variablen	T	Inhalt	Bedingung
Attachment option for a VM	var(*LIST).VM-ASS	S	BY-GUEST BY-VM-ADM VM-INHIBIT DEV-INHIBIT ELSEWHERE BY-GUEST-POSSIBLE	INF=*VM2000
Use by a VM	var(*LIST).VM-USAGE	S	NONE EXCL SH(D) SH(I)	INF=*VM2000

Meaning of the output columns with INFORMATION=*VM2000

Keyword	Meaning
VM-ASSIGN	<p>Displays the device assignment or assignment options for a VM:</p> <p>BY-GUEST The device is implicitly assigned to its own VM.</p> <p>BY-VM-ADM The device is explicitly assigned to its own VM.</p> <p>BY-GUEST-POSS The device is not assigned to its own VM, and implicit assignment is possible.</p> <p>In the following cases, the device is not assigned to its own VM and implicit assignment is not possible:</p> <p>VM-INHIBIT The VM is never authorized for implicit assignment.</p> <p>DEV-INHIBIT The VM is not authorized to assign this device implicitly. Exception for VM-INHIBIT / DEV-INHIBIT: Snap units (Snapsets) can nevertheless be implicitly assigned to a VM with the AUTO-SNAP-ASSIGNMENT privilege (see page 143).</p> <p>ELSEWHERE The device is assigned exclusively to another VM.</p>
VM-USAGE	<p>Displays the usage mode in which the device is assigned (depends on VM-ASSIGN). <i>If VM-ASSIGN = BY-GUEST / BY-VM-ADM:</i></p> <p>EXCL The device is assigned exclusively to its own VM.</p> <p>SH(D) The device is assigned to its own VM for shared usage with direct I/O processing (only one VM sharer).</p> <p>SH(I) The device is assigned to its own VM for shared usage with indirect I/O processing.</p> <p><i>If VM-ASSIGN = BY-GUEST-POSS:</i></p> <p>EXCL The device is assigned exclusively to another VM. It is still possible to assign the device due to the KEEP state of the device (MTC).</p> <p>SH(D) The device is assigned to another VM for shared usage with direct I/O processing (only one VM sharer).</p> <p>SH(I) The device is assigned to another VM for shared usage with indirect I/O proc.</p> <p>NONE The device is not assigned.</p> <p><i>If VM-ASSIGN = VM-INHIBIT / DEV-INHIBIT:</i></p> <p>EXCL The device is assigned exclusively to another VM.</p> <p>SH(D) The device is assigned to another VM for shared usage with direct I/O processing (only one VM sharer).</p> <p>SH(I) The device is assigned to another VM for shared usage with indirect I/O proc.</p> <p>NONE The device is not assigned.</p> <p><i>If VM-ASSIGN = ELSEWHERE:</i></p> <p>EXCL The device is assigned exclusively to another VM.</p>

6 VM2000 management

This chapter describes the management functions of VM2000. The management functions are realized by the VM2000 commands.

A detailed description of the syntax of the VM2000 commands and a description of the operands are given in [chapter “VM2000 commands” on page 423](#).

The management of VM2000 covers resource management in VM2000 operation and other organizational tasks.

Resource management in VM2000 operation includes

- CPU management and reconfiguration
- Reconfiguration of hardware complexes, hardware units and paths
- Management and reconfiguration of storage media
- Management of the (individual) devices and pubset devices
- Backing up and restoring the VM2000 configuration

Other organizational tasks are

- Password protection
- Accounting procedure
- Hardware error logging
- Creation of monitored data.

See also: [“Logging” on page 95](#) and [page 113](#).

6.1 CPU management

CPU management under VM2000 includes:

- [Managing and reconfiguring real and virtual CPUs](#)
- [Managing CPU pools](#)
- [Planning distribution of the CPU capacity to the VMs](#)
- [Scheduling procedure](#)

A general example for CPU management is provided in the [section “Example of CPU management” on page 298](#).

6.1.1 Managing and reconfiguring real and virtual CPUs

These management tasks comprise:

- Managing the real CPUs which are available for VM2000 operation
- Managing the virtual CPUs of a VM
- Reconfiguration of real and virtual CPUs
- Managing the spare CPUs of the Server Unit
- Managing the extra CPUs of the Server Unit



Note on the representation of CPUs

A (real or virtual) CPU is always represented by its CPU identifier (CPU ID), which is a two-digit hexadecimal number. This applies to both command input (SDF format: `<x-text 1..2>`) and outputs.

The VM2000 commands, the outputs of VM2000 information commands and messages in which the CPU number is inserted are affected by this.

6.1.1.1 Real CPUs

The real CPUs of a Server Unit are subdivided into:

- CPUs which are available in VM2000 operation
The number depends on the server model and the licenses, see also [page 37](#).

These CPUs are subdivided into:

- Real normal CPUs (type of CPU: `NORMAL`)
- Real extra CPUs (type of CPU: `EXTRA`)
- Real hot spare CPUs (type of CPU: `SPARE`, SU /390)

VM2000 manages real normal and extra CPUs in the CPU pools, see [section “Managing CPU pools” on page 269](#). The use of these CPUs under VM2000 is described in the following sections.

Note on the terms used

In order to distinguish them clearly from real spare CPUs and extra real CPUs, the real CPUs described here, where necessary, are referred to as **real normal CPUs**.

[390] When the monitor system starts up, **all** available and operable real (normal) CPUs of SU /390 are added to the standard CPU pool and started.

If hot spare CPUs or extra CPUs are available, these are placed in a ready status at startup. They are, however, initially only kept in the ready status. Extra CPUs are initially added to the standard CPU pool. Spare CPUs do not belong to any CPU pool.

- CPUs which are not available in VM2000 operation
 - Real CPUs for the XenVMs (including domain 0)
(type of CPU: `FOREIGN`, SU x86)
 - Real CPUs which are unused in this session, e.g. because no license exists or real cold spare CPUs (type of CPU: `UNUSED`, SU x86)

[x86] If more than 64 CPUs are installed, real CPUs of the `FOREIGN` and `UNUSED` type are no longer displayed in the VM2000 information commands.

Real CPUs are in one of the following statuses:

- ATT The CPU is attached. This status is attained after
- successful startup
 - successful /ATTACH-VM-RESOURCES.
- DET The CPU is detached. This status is attained after
- startup for a hot spare CPU or extra CPU
 - successful /DETACH-VM-RESOURCES.
- WFM The CPU is waiting for maintenance after an error (Wait For Maintenance).
[390] It has been replaced by a hot spare CPU (if available) and can only be attached again after maintenance.
- ERR The CPU has an error
[390] It has not been replaced by a hot spare CPU and can be attached again immediately.
- OFF The CPU is not available (offline).

The VM2000 administrator uses the following VM2000 commands to obtain information on the status of the real CPUs and the CPU pools to which they belong:

- /SHOW-VM-CPU-POOL INFORMATION=*CPU
 - /SHOW-VM-RESOURCES INFORMATION=*CPU, VM-IDENTIFICATION=*VM2000
 - /SHOW-VM-RESOURCES INFORMATION=*CONFIGURATION
- [x86]** On SU x86 these commands display **all** real CPUs of the server unit, i.e. also CPUs of type FOREIGN or UNUSED. CPUs of the types FOREIGN and UNUSED are always in the ATT status.

6.1.1.2 Virtual CPUs

The number of CPUs for a VM (virtual CPUs) is defined by specifying a **multiprocessor level** when a VM is created (in /CREATE-VM by means of the PROCESSOR operand). A VM can be set up with the multiprocessor levels 1 through 32 (depending on the architecture of the Server Unit), in other words with a maximum of 32 virtual CPUs (CPU 00 through CPU 1F), see [page 140](#).

The multiprocessor level of a VM must be less than or equal to the number of real normal CPUs which can be available for VM2000 operation.

Exception: see the note on the PROCESSOR=*EXTRA-AND-NORMAL operand on [page 268](#).



The multiprocessor level for a VM can also be entered in the VM definition with /CREATE-/MODIFY-VM-DEFINITION. Detailed information can be found in the [section “Working with VM definitions” on page 200](#).

Once a VM has been initialized, it is no longer possible to modify its multiprocessor level.



Depending on the expected load on the guest system, the multiprocessor level of a VM should be set as low as possible.

The multiprocessor level selected for a VM should also be less than or equal to the number of attached real CPUs in the CPU pool to which the VM is assigned (see [page 269](#)).

However, a guest system can also run if its multiprocessor level exceeds the number of attached real CPUs (overdimensioned VM).

Example

Biprocessor VM which is assigned to a CPU pool with two real CPUs; one of these real CPUs is detached. The resulting performance loss, e.g. through CPU locks of the virtual CPUs, must be taken into consideration.

Note on the terms used

In order to distinguish them clearly from virtual spare CPUs, the virtual CPUs described here, where necessary, are referred to as **virtual normal CPUs**.

The multiprocessor level of the monitor VM is set when VM2000 is installed (see [page 62](#)).



If hot spare CPUs are available on SU /390, each VM is assigned not only virtual normal CPUs but also virtual spare CPUs, see [page 264](#).

Virtual CPUs are assigned one of the following statuses:

- RUN** The CPU can run. This status is attained after
- successful startup of the guest system
 - successful `/ATTACH-DEVICE`
 - the CPU pool of an active VM has been switched with automatic attachment of virtual CPUs
(`/ASSIGN-VM-TO-CPU-POOL . . . , ATTACHED-VM-CPUS=*ADJUST-NUMBER`)
 - the CPU pool has been extended with automatic attachment of virtual CPUs
(`/SWITCH-VM-CPU . . . , TARGET-CPU-POOL=*ADJUST-NUMBER`)
 - Migration of a VM with virtual CPUs in **BLOCK** state to the target SU, on which the corresponding CPU pool has more real CPUs attached than the CPU pool on the source SU (`/MIGRATE-VM`)
- IDLE** The CPU is in the interruptible wait state.
- INIT** The CPU is initialized (VM in **INIT-ONLY** status or (on SU x86) the status of a virtual CPU up to the automatic attachment when starting up in the BS2000 guest system).
- WAIT** The CPU has been stopped by VM2000 (VM in **IN HOLD(WAIT)** status).
- HALT**
- x86 The CPU has been halted by X2000 (short-term transitional status or error).
- STOP** The CPU has been stopped (stop by the hardware). This status is attained after
- successful `/DETACH-DEVICE`
(VM not overdimensioned, see [page 272](#))
 - the CPU pool of an active VM has been switched without automatic attachment of virtual CPUs (for CPUs in **BLOCK** status)
(`/ASSIGN-VM-TO-CPU-POOL . . . , ATTACHED-VM-CPUS=*CHECK-NUMBER`)
 - the CPU pool has been extended without automatic attachment of virtual CPUs (for CPUs in **BLOCK** status)
(`/SWITCH-VM-CPU . . . , TARGET-CPU-POOL=*NONE`)
- 390 – an error (machine check error)
In these cases the CPU can be attached again during ongoing operation.
- BLOCK** The CPU is “blocked” by VM2000. This status is reached after the following actions (in all cases the VM was overdimensioned beforehand, see [page 272](#)):
- Startup of the guest system
 - successful `/DETACH-DEVICE`
 - the CPU pool of an active VM has been switched with automatic detachment of virtual CPUs
(`/ASSIGN-VM-TO-CPU-POOL . . . , ATTACHED-VM-CPUS=*ADJUST-NUMBER`)
 - the CPU pool has been reduced with automatic detachment of virtual CPUs
(`/SWITCH-VM-CPU . . . , SOURCE-CPU-POOL=*ADJUST-NUMBER`)

- the CPU pool of an active VM has been switched with preparatory detachment of virtual CPUs
- the CPU pool of an active VM has been reduced with preparatory detachment of virtual CPUs
- to the target SU on which the corresponding CPU pool has less real CPUs attached than the CPU pool on the source SU. Because of this, some virtual CPUs of the migrated VM have to be automatically detached (/MIGRATE-VM).

In these cases the CPU in the guest system cannot be attached again.

SLEEP The hot spare CPU is ready but sleeping.

390 This VM currently contains only one attached virtual normal CPU.

This status can also occur temporarily during a CPU reconfiguration.

OFF The CPU is not ready (offline). This status is attained

390 – for a hot spare CPU if there are several attached virtual normal CPUs in this VM

390 – after a CPU error (MCK, MFA) if the CPU can only be used again after the next startup of the guest system

The VM2000 administrator can use /SHOW-VM-RESOURCES and the INFORMATION=*CPU, VM-IDENTIFICATION=. . . operand to obtain information on the status of the specified VMs' virtual CPUs.

The VM administrator can use /SHOW-VM-ATTRIBUTES and the INFORMATION=*CPU operand to obtain information on the status of the virtual CPUs of his/her VM.

Running virtual CPUs on real CPUs

When scheduling takes place, at runtime a decision is taken regarding the assignment of an operable virtual CPU to a free real CPU from the CPU pool to which the VM belongs (see [page 294](#)). The virtual CPU selected is then started up on the real CPU.

390 On SU /390 scheduling is implemented by the VM2000 hypervisor.

x86 On SU x86 scheduling is implemented by the Xen hypervisor.

6.1.1.3 Reconfiguration of real and virtual CPUs

Messages that provide information on status changes of real or virtual CPUs are sent to all VM2000 administrators as asynchronous messages and, via routing code “9”, to the authorized BS2000 consoles or applications. See also [page 128](#).

Failure of real CPUs

390 On SU /390, VM2000 responds to the failure of real CPUs. These CPUs are no longer used by VM2000, the operation continues on the remaining real CPUs. If hot spare CPUs are available, they are attached automatically by VM2000 and replace the failed CPUs, see [page 264](#).

CPUs in WFM status (SU /390 with “hot spare CPU”, see [page 258](#)) must be made available again by customer support. It is then necessary to reboot the Server Unit.

If a virtual CPU was assigned to the real CPU at the time the failure occurred, VM2000 notifies the guest system of this CPU failure. The guest system then executes the requisite failure handling.

x86 On SU x86, the failure of a real CPU generally results in abnormal termination of operations (server crash (panic)).

The Server Unit must be restarted (an automatic reboot can be set). Defective CPUs or CPU groups then remain detached. The static CPU pools (see [page 37](#)) are configured in such a way that the standard CPU pool as far as possible contains the number of BS2000 CPUs envisaged for this Server Unit.

VM2000 must be initialized again.

Reconfiguration of real CPUs

If an attached real normal CPU or extra CPU is to be deactivated, the VM2000 administrator can detach it by means of `/DETACH-VM-RESOURCES`. VM2000 operation then continues on the remaining real CPUs.

CPU reconfiguration is rejected if, after the real CPU is rejected, there is not at least one real CPU available in the CPU pool. For details please also refer to the section “[Number of attached real and virtual CPUs in the CPU pool](#)” on [page 272](#).

If a detached real CPU is to be made available again, the VM2000 administrator can attach it again by means of `/ATTACH-VM-RESOURCES`.



If the number of real CPUs decreases, the guest systems remain executable, even if their number of virtual CPUs is greater than the number of real CPUs that are ready for operation (overdimensioned VM).

In this case VM2000 does **not** initiate automatic reconfiguration of virtual CPUs. This should be done in the BS2000 guest system by the guest system operator, see the section below.

Reconfiguration of virtual CPUs

Virtual CPUs are reconfigured explicitly in the guest system by means of the BS2000 commands `/ATTACH-DEVICE` and `/DETACH-DEVICE`. `/ATTACH-DEVICE` attaches virtual CPUs, and `/DETACH-DEVICE` detaches them.

Reconfiguration in the guest system makes sense in the following cases, for example:

- In the event of fluctuating loads in the guest system so as only to activate the required CPUs, see also the “Performance Handbook” [18]
- After reconfiguration of real CPUs by VM2000

Example

There is a biprocessor VM, but there is only one real CPU available in the CPU pool (e.g. after reconfiguration of real CPUs by VM2000). In this case, the virtual CPUs run sequentially on the available real CPU. The resulting loss in performance can either be accepted or avoided by means of reconfiguration in the guest system, i.e. in all BS2000 guest systems the multiprocessor level must be adapted by means of `/DETACH-DEVICE UNIT=*CPU(...)` by the same number of CPUs to suit real conditions.

Virtual CPUs are reconfigured implicitly by VM2000 in the following cases:

- When the CPU pool of an active VM is switched with automatic attachment or detachment of virtual CPUs
(`/ASSIGN-VM-TO-CPU-POOL ... , ATTACHED-VM-CPU=*ADJUST-NUMBER`)
- When the CPU pool is extended or reduced with automatic attachment or detachment of virtual CPUs
(`/SWITCH-VM-CPU ... , TARGET/SOURCE-CPU-POOL=*ADJUST-NUMBER`)
- VM Migration with automatic attachment or detachment of virtual CPUs

The reconfiguration of virtual CPUs in the guest system does not have any effect on real CPUs or on virtual CPUs of other guest systems. This also applies to reconfiguration in the monitor system.

The VM2000 commands `/SHOW-VM-ATTRIBUTES` and `/SHOW-VM-RESOURCES` and the BS2000 command `/SHOW-DEVICE-CONFIGURATION (CLASS=*CPU)` indicate the status of the virtual CPUs.

6.1.1.4 High availability with hot spare CPUs (SU /390)

Hot spare CPUs are redundant, fully operable CPUs that are ready for operation and can be attached automatically **by VM2000** in the event of the failure of a normal or extra CPU and thus take the place of the failed CPU.

Hot spare CPUs thus increase the availability of CPUs as a resource and ensure the continued operation of the server even in the event of the failure of a real normal or extra CPU.

x86 Hot spare CPUs are not available on SU x86.
Cold spare CPUs which (after a CPU has failed) are placed in service when a Server Unit has been rebooted can be configured there. The former CPU capacity is then available after the restart.

Selected SU /390 have one (standard) or several hot spare CPUs.

Spare CPUs are not assigned to a CPU pool. These replace a failed CPU in any CPU pool.

Hot spare CPUs in normal operation (without CPU failure)

The real hot spare CPUs of a server are made ready for operation (as far as the hardware is concerned) at startup of the monitor system, but they remain logically disconnected. The number of spare CPUs that are available is indicated in message VMS5050. The real spare CPUs are displayed in VM2000 operation when `/SHOW-VM-RESOURCES INFORMATION=*CPU/*CONFIGURATION` is specified.

In addition to its virtual normal CPUs, each VM also receives virtual spare CPUs. The number of virtual spare CPUs is equal to the number of real spare CPUs.

i If the total number of virtual normal CPUs and virtual spare CPUs is greater than 16 (i.e. greater than the maximum multiprocessor level of a VM), the VM's number of virtual spare CPUs is reduced accordingly.

Guest systems on the VM detect virtual spare CPUs at startup. Multiprocessor guest systems leave virtual spare CPUs detached (status OFF), since they have at least one additional normal CPU available for failure detection.

Mono-guest systems connect a spare CPU so that the operating system can detect the failure of its normal CPU and respond to it (SLEEP status). The number and status of virtual spare CPUs is displayed in the VM-specific part when `/SHOW-VM-ATTRIBUTES INFORMATION=*STD/*CPU` and `/SHOW-VM-RESOURCES INFORMATION=*STD/*CPU` are specified.

Use of hot spare CPUs in the event of CPU failure

In the event of the hardware failure of a real normal or extra CPU (malfunction alert, machine check), the VM2000 hypervisor automatically detaches the defective CPU and attaches a hot spare CPU that is ready for operation. The multiprocessor level of the Server Unit remains unchanged by this. The spare CPU is automatically added to the CPU pool to which the failed CPU belonged.

The defective CPU (status WFM) is removed from the CPU pool to which it was assigned. It remains detached until the problem is dealt with by a service engineer. It cannot be attached with `/ATTACH-VM-RESOURCES`. Nor does it become available again when the Server Unit is rebooted. After it is repaired, the service engineer makes the CPU available again. It must then be rebooted.



Other failures of normal or extra CPUs (e.g. when a CPU gets hung) lead to the CPU being detached (status ERR). In this case no spare CPU is attached. The failed CPU can be attached with `/ATTACH-VM-RESOURCES`. It also becomes available again when the Server Unit is restarted.

A guest system is notified of a CPU error by the VM2000 hypervisor if a virtual CPU of the guest system was active on the failed real normal or extra CPU at the time of the failure. The guest system then detaches this virtual CPU and attaches a virtual spare CPU. The multiprocessor level and power consumption of a VM are not changed by this.

Mono-guest systems process the CPU error on the virtual spare CPU attached at startup. Mono-guest systems can thus continue to function even after being affected by a CPU failure..

The principle of the spare CPU also applies to the monitor system. If there are no more spare CPUs available when the only virtual CPU in the monitor system that is ready for operation fails, provided the restart option is set the VM2000 hypervisor initiates a restart of the monitor system.

6.1.1.5 Increasing capacity with extra CPUs

Extra CPUs are redundant, fully operable CPUs of a Server Unit that can be attached by the VM2000 administrator for ongoing VM2000 operation in the event of short-term additional CPU demand being placed on the capacity of the server (Capacity on Demand).

Selected Server Units are equipped with extras CPUs when the customer requests this.



The use of extra CPUs is regulated by an agreement. Your sales representative will be able to give you details.

Extra CPUs temporarily raise the CPU capacity of the Server Unit (see [page 287](#)), the CPU capacity of the CPU pool to which they are assigned, and indirectly the performance of the guest systems as well.

(Real) extra CPUs are managed like real normal CPUs in the CPU pools. They are always assigned to precisely one CPU pool.

Extra CPUs in normal operation

The extra CPUs remain logically disconnected when VM2000 operation is initialized and are added to the standard CPU pool. On SU /390 the number of available extra CPUs is indicated in message `VMS5053` when the monitor system is started up. The status of the extra CPUs is displayed if `/SHOW-VM-RESOURCES` is specified.

Guest systems have nothing to do with extra CPUs.

Use of extra CPUs to raise capacity

If additional CPU capacity is required of the server, the VM2000 administrator can attach extra CPUs by means of `/ATTACH-VM-RESOURCES UNIT=*EXTRA-CPU(...)`.



Extra CPUs must be used in accordance with an agreement. The usage intervals are recorded in the monitor system in a separate log file (RESLOG subsystem). The attachment or detachment of extra CPUs is reported via Remote Service.



In the event of the failure of extra CPUs on SU /390, available hot spare CPUs are attached automatically by VM2000.



In the event of the failure of extra CPUs on SU x86, installed cold spare CPUs only become available when the server is restarted.

The VM2000 administrator can detach extra CPUs again during VM2000 operation by specifying `/DETACH-VM-RESOURCES UNIT=*EXTRA-CPU(...)`.

Extra CPUs are detached at the latest at VM2000 termination. In a new VM2000 session, extra CPUs have to be attached again, if required.

Distribution of the additional CPU capacity to the VMs

Attaching extra CPUs increases the CPU capacity of the Server Unit as a whole. In absolute terms, the server capacity (absolute CPU share) at the disposal of the active VMs of the CPU pool to which the extra CPU is added increases in accordance with the settings for the CPU quotas. If the additional CPU capacity is only to be assigned to one VM or to individual VMs, the CPU quotas of all of the VMs have to be adapted. For details, please also refer to the [section “Planning distribution of the CPU capacity to the VMs” on page 283](#).

Simple example of a Server Unit with 2 CPUs (standard CPU pool only)

Initial situation	CPU-QUOTA	Effective CPU share of the VM	Absolute CPU share of the VM
VM1 (BI)	60	60%	1.2
VM2 (BI)	30	30 %	0.6
VM3 (MONO)	10	10 %	0.2
Total	100 ¹	100 %	2.0 CPUs

¹ A total of 100 for the CPU quotas makes it is easy to calculate the CPU shares

When an extra CPU is attached, this results in the following shares:

With an extra CPU	CPU-QUOTA	Effective CPU share of the VM	Absolute CPU share of the VM
VM1 (BI)	60	60%	1.8 ¹
VM2 (BI)	30	30 %	0.9
VM3 (MONO)	10	10 %	0.3
Total	100	100 %	3.0 CPUs

¹ Changes in comparison to the initial situation appear bold

VM2 is to receive all of the additional server capacity:

Adaptation of CPU quotas	CPU-QUOTA	Effective CPU share of the VM	Absolute CPU share of the VM
VM1 (BI)	40	40 %	1.2
VM2 (BI)	53 ¹	53 %	1.6
VM3 (MONO)	7	7 %	0.2
Total	100	100 %	3.0 CPUs

¹ The new CPU quotas and relative CPU shares are calculated in this example on the basis of the relationship between the absolute CPU share of the VM (1.6 for VM2) and the number of CPUs (3).

In complex cases, the formulas and constraints described in the section entitled “Calculating the effective CPU share of a VM” on page 288 must be adhered to.



When setting up the VM with `/CREATE-VM`, ensure that the VM can accept the additional CPU capacity intended for it.

You can do this by setting a sufficiently high multiprocessor level for the `PROCESSOR` operand ($1 \leq \text{PROCESSOR} \leq \text{number of available real normal CPUs}$) so that the absolute CPU share of the VM is lower than the number specified for `PROCESSOR` even after the capacity is increased. In the example on page 267, VM1 and VM2 therefore cannot be set up as mono-VMs (because this would result in absolute CPU shares of 1.2 (VM1) and 1.6 (VM2) after the capacity was increased).

When a VM is even expected to accept the largest possible CPU capacity (overdimensioned VM), i.e. including the CPU capacity of the available extra CPUs, the `PROCESSOR=*EXTRA-AND-NORMAL` operand must be specified when the VM is configured with `/CREATE-VM`, see page 470.

The limit on the CPU utilization of a VM or VM group imposed by `MAX-CPU-UTILIZATION < 100` (see page 285) continues to apply to the nominal CPU capacity of the Server Unit. This corresponds to the performance of the real normal CPUs. Attaching or detaching extra CPUs does not change the limit.

The setting `MAX-CPU-UTILIZATION = 100` allows a VM or VM group in normal operation as well as after attaching extra CPUs to utilize the capacity of all attached CPUs.

6.1.2 Managing CPU pools

The concept of CPU pools enables you to combine individual CPUs in an organizational unit. CPU pools have their own name. A CPU pool is assigned individual normal and extra CPUs and also VMs and (on SU /390) VM groups. When scheduling takes place, only the VMs and VM groups which are assigned to the CPU pool use the CPUs in the CPU pool.

6.1.2.1 Static CPU pools

Static CPU pools are formed before VM2000 operation is initialized.

Standard CPU pool

The standard CPU pool (*STDPPOOL) is the only static CPU pool which is available on all Server Units.

x86 Further static CPU pools are available on SU x86 (*POOL0, *FOREIGN), see [page 37](#). These are displayed in VM2000 information commands (see [page 36](#)), but are not managed by the VM2000 administrator.

If more than 64 CPUs are installed, the static CPU pool *FOREIGN (or *POOL0) is no longer displayed in the VM2000 information commands.

Once VM2000 operation has been initialized, all real CPUs which are available in VM2000 operation are assigned to the standard CPU pool.

390 Spare CPUs are not assigned to a CPU pool on SU /390.

6.1.2.2 Dynamic CPU pools

Dynamic CPU pools can (in addition to the static CPU pools) be configured by the VM2000 administrator after VM2000 READY.

Real normal and extra CPUs can be removed from the standard CPU pool and assigned to a dynamically configured CPU pool. A real normal or extra CPU is thus always belongs to precisely one CPU pool. CPU pools can also be “empty”, i.e. no real CPU and no VM or VM group is assigned to them.

Real spare CPUs are excluded from CPU pools by the management. They do not belong to any CPU pool. See also [section “High availability with hot spare CPUs \(SU /390\)” on page 264](#).

VMs and VM groups which are assigned to a CPU pool

After VM2000 READY, VMs and (on SU /390) VM groups can be assigned to a CPU pool by the VM2000 administrator. A VM or the VMs of a VM group are always assigned to precisely one CPU pool. During scheduling the VM's virtual CPUs are run on real CPUs of the CPU pool.

After VM2000 READY, the monitor VM is assigned to the standard CPU pool. It can also be assigned to a different CPU pool.

Commands for administrating CPU pools

The VM2000 administrator manages a CPU pool in the ADMIN dialog using the monitor VM. The function and privileges of the VM2000 administrator are described in the [section “Operating the whole VM2000 system” on page 227](#).

The table below shows the individual operation groups with the associated VM2000 commands for operating a CPU pool.

Operation group	VM2000 command
Creating a CPU pool	CREATE-VM-CPU-POOL ¹
Adding CPUs to a CPU pool	SWITCH-VM-CPU ¹
Assigning a VM or VM group to a (different) CPU pool	CREATE-VM ¹ CREATE-VM-GROUP ^{1 2} ASSIGN-VM-TO-CPU-POOL ¹ ASSIGN-VM-GROUP-TO-CPU-POOL ^{1 2} CREATE-VM-DEFINITION ^{1 3} MODIFY-VM-DEFINITION ^{1 3}
Canceling the assignment of a VM or VM group to a CPU pool	DELETE-VM ⁴ DELETE-VM-DEFINITION ^{1 3} DELETE-VM-GROUP ^{1 2}
Outputting information on a CPU pool	SHOW-VM-CPU-POOL ¹
Deleting a CPU pool	DELETE-VM-CPU-POOL ¹

¹ For use by the VM2000 administrator only

² only on SU /390

³ Command only for working with VM definitions

⁴ For use by the VM2000 administrator and the VM administrator of the VM

These operation groups are described in more detail in the sections on [page 276](#).

Schematic overview

The figure below illustrates the options for arranging CPU pools and the assigned virtual machines. In detail, it shows the following:

- The extra CPU CPU06 belongs to the standard CPU pool (it could also be added to a different CPU pool)
- The spare CPU CPU07 does not belong to any CPU pool
- A CPU pool can be assigned no (POOL4), one (POOL2) or multiple VMs or VM groups (POOL3)
- VM groups (GROUP1, GROUP2) are always assigned to precisely one (arbitrary) CPU pool
- The number of CPUs in the CPU pool is independent of the number of VMs which are assigned to this CPU pool (POOL2 / POOL3)

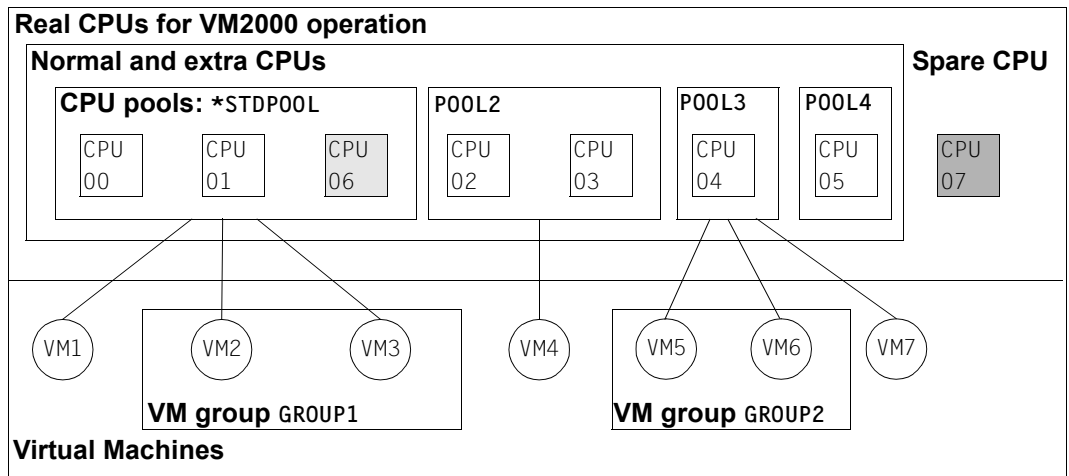


Figure 16: Schematic overview: Possible assignments of VMs to CPU pools

6.1.2.3 Number of attached real and virtual CPUs in the CPU pool

For availability reasons each CPU pool must have at least one attached real CPU if at least one of the following conditions applies:

- The CPU pool is assigned a VM in the RUNNING, SETUP(MIGR) or IN HOLD (WAIT) status.
- The CPU pool is assigned a VM in the INIT-ONLY or DOWN status (SU x86).

The number of attached virtual CPUs of a VM in the RUNNING or IN HOLD (WAIT) status should be **less than or equal to** the number of attached real CPUs of the CPU pool to which the VM is assigned.

This principle guarantees optimum operation of a guest system, i.e. losses in performance (e.g. through scheduling or processor locks) are avoided.

If the principle for a VM in RUNNING or IN HOLD (WAIT) status is no longer observed (overdimensioned VM), the VM will nevertheless continue to run with a multiprocessor level which is too high and the resultant disadvantages.

If the number of attached real CPUs is reduced, in most cases VM2000 guarantees that this principle will be observed. In certain cases (highlighted in **bold print** on the following passages) the VM2000 administrator should cooperate with the guest system operator to ensure the principle is observed.

The following cases can occur:

- Attached real CPUs are deleted from a CPU pool (/SWITCH-VM-CPU):
 - The command is rejected if the last attached real CPU is to be deleted, but a VM in the RUNNING, SETUP(MIGR) or IN HOLD (WAIT) status is assigned to the CPU pool or, on SU x86, also in INIT-ONLY or DOWN status (message/return code VMS4612).
 - Otherwise a check is made for all VMs which are assigned to the CPU pool to see whether the above-mentioned principle can still be observed after the command has been executed. Depending on the ATTACHED-VM-CPUS=*ACTIONS(SOURCE-CPU-POOL=...) parameter, the command will be **rejected** (SOURCE-CPU-POOL=*CHECK-NUMBER) or **executed** (SOURCE-CPU-POOL=*ADJUST-NUMBER) if necessary.
 - When SOURCE-CPU-POOL=*ADJUST-NUMBER, VM2000 checks the status of the virtual CPUs of all VMs of the source CPU pool and, if required, issues reconfiguration commands for a corresponding number of virtual CPUs in the guest system.

- A VM is started with /START-VM:

If the multiprocessor level m of the VM is greater than the number n of attached real CPUs in the CPU pool, only n virtual CPUs are attached when the guest system is started. The remaining $m - n$ CPUs are identified accordingly by VM2000 (BLOCK status). They can be attached in the guest system later only if further attached real CPUs are added to the CPU pool.

- A VM (RUNNING or IN HOLD (WAIT) status) or VM group (with VMs in RUNNING or IN HOLD (WAIT) status) is assigned to a different CPU pool (/ASSIGN-VM-(GROUP-) TO-CPU-POOL):

If the principle is not observed in the new CPU pool, the ATTACHED-VM-CPUS operand determines the further procedure:

- When ATTACHED-VM-CPUS=*CHECK-NUMBER, the command is rejected.
- When ATTACHED-VM-CPUS=*ADJUST-NUMBER, the command is executed if the CPU pool to which the VM or VM group is to be assigned contains at least one attached CPU. The VM or VM group is assigned to the new CPU pool. In addition, VM2000 attempts to detach the excess CPUs (asynchronous, implicit /DETACH-DEVICE in the guest system for a corresponding number of virtual CPUs). These detached CPUs cannot initially be attached again by the guest system; they are identified accordingly by VM2000.
(Status of the virtual CPU in the information commands of VM2000: BLOCK).

- A VM in RUNNING state is being migrated and the CPU Pool on the target SU has fewer real CPUs attached than the CPU pool on the source SU (/MIGRATE-VM):

If the principle is not observed in the new CPU pool, the command is executed if the CPU pool to which the migrated VM is to be assigned contains at least one attached CPU. In addition, VM2000 attempts to detach the excess CPUs (asynchronous, implicit /DETACH-DEVICE in the guest system for a corresponding number of virtual CPUs). Initially, these detached CPUs cannot be attached again by the guest system. They are marked accordingly by VM2000.
(Status of the virtual CPU in the information commands of VM2000: BLOCK).

- A real CPU is detached (/DETACH-VM-RESOURCES):

VM2000 prevents the last attached real CPU in a CPU pool from being detached in the following cases:

- ◻390 When the CPU pool is assigned a VM with an active guest system (message/return code VMS4617)
- ◻x86 When the CPU pool has not yet been assigned a VM

If the principle is no longer observed for a VM in RUNNING or IN HOLD (WAIT) status, the VM nevertheless continues to run with a multiprocessor level which is too high (overdimensioned VM). If necessary, the multiprocessor level should be reduced **in the guest system** by detaching a virtual CPU using /DETACH-DEVICE. A virtual CPU thus detached is then in BLOCK status and can be attached again only when the number of attached real CPUs in the CPU pool has been increased.

- A real CPU fails on a SU /390 and cannot be replaced by a hot spare CPU:

If there are other attached real CPUs in the CPU pool, the procedure to be followed is the same as that described in [“A real CPU is detached \(/DETACH-VM-RESOURCES\):” on page 274](#).

If the last attached real CPU of a CPU pool fails, VM2000 initiates the following recovery measure to ensure that the VMs and VM groups affected can run:

- In the case of a CPU pool other than the standard CPU pool, the VMs and VM groups affected are assigned to the standard CPU pool
- If the standard CPU pool itself was affected, the attached real CPU with the highest CPU-ID is added to the standard CPU pool. If this CPU is itself the last attached real CPU of a CPU pool, the VMs and VM groups thus affected are also assigned to the standard CPU pool.

The CPU shares of the VMs are recalculated accordingly.

If the number of attached real CPUs in a CPU pool is increased, the principle is always observed. Nevertheless, the VM2000 administrator should take the following into account:

- Attached real CPUs are added to the CPU pool (/SWITCH-VM-CPU)

For all VMs of the target CPU pool whose number of attached virtual CPUs is less than their multiprocessor level, VM2000 cancels the BLOCK status for the relevant number of virtual CPUs in the VM. The virtual CPU can then be attached again in the guest system using /ATTACH-DEVICE.

The ATTACHED-VM-CPUS operand determines the implicit actions of VM2000 for the virtual CPUs of the VMs which are assigned to the target CPU pool:

- When `ATTACHED-VM-CPUS=*ACTIONS(TARGET-CPU-POOL=*NONE)`, no further implicit actions are performed. The number of attached virtual CPUs in the VMs remains unchanged.
- When `ATTACHED-VM-CPUS=*ACTIONS(TARGET-CPU-POOL=*ADJUST-NUMBER)`, VM2000 checks the status of the virtual CPUs of all VMs of the source CPU pool and, if required, issues reconfiguration commands for a corresponding number of virtual CPUs in the guest system.
- Real CPUs are attached (`/ATTACH-VM-RESOURCES`):

For all VMs of the affected CPU pool whose number of attached virtual CPUs is less than their multiprocessor level, VM2000 cancels the BLOCK status for the relevant number of virtual CPUs in the VM. A detached virtual CPU can then be attached again **in the guest system** using `/ATTACH-DEVICE`.
- A VM (RUNNING or IN HOLD (WAIT) status) or VM group (with VMs in RUNNING or IN HOLD (WAIT) status) is assigned to a CPU pool which has more attached real CPUs than the previous CPU pool (`/ASSIGN-VM-(GROUP-)TO-CPU-POOL`):

The command is executed. If the multiprocessor level of a VM is greater than the number of attached virtual CPUs, the BLOCK status is canceled for a corresponding number of CPUs. The `ATTACHED-VM-CPUS` operand determines the further procedure:

 - `ATTACHED-VM-CPUS=*CHECK-NUMBER` results in no further actions.
 - When `ATTACHED-VM-CPUS=*ADJUST-NUMBER`, VM2000 attempts to attach the corresponding number of virtual CPUs (asynchronous, implicit `/ATTACH-DEVICE` in the guest system for a corresponding number of virtual CPUs).
- A VM in RUNNING state is being migrated und the CPU Pool on the target SU has more real CPUs attached than the CPU pool on the source SU (`/MIGRATE-VM`):

The command is executed. If the multiprocessor level of a VM is greater than the number of attached virtual CPUs, the BLOCK status is canceled for a corresponding number of CPUs. In addition, VM2000 attempts to attach the virtual CPUs that were in BLOCK state (asynchronous, implicit `/ATTACH-DEVICE` in the guest system for these virtual CPUs).

6.1.2.4 Creating a CPU pool

Before a CPU pool can be worked with, it must be created in VM2000. The standard CPU pool is created by VM2000 when the VM2000 is started up. Further CPU pools are created by the VM2000 administrator using `/CREATE-VM-CPU-POOL`. When a CPU pool is created it is given a name.

The maximum number of CPU pools may not exceed the number of the Server Unit's real CPUs or the maximum possible number of virtual machines. The number of VMs depends on the architecture of the Server Unit, see [page 470](#).

The maximum number of VMs and the maximum number of CPU pools are also displayed using `/SHOW-VM-RESOURCES INFORMATION=*CONFIGURATION`.

Name of the CPU pool

The name of a CPU pool can be freely selected. It must identify the CPU pool unambiguously. `/CREATE-VM-CPU-POOL` is rejected if a specified CPU pool name has already been assigned.

Recommendations for defining and using the names of CPU pools

The name of a CPU pool should be unique within a VM2000 installation (data center organization) and indicate the purpose of the CPU pool.

The name ranges for VMs, VM groups and CPU pools should be disjunctive.

x86 On SU x86 the characters #, \$ and @ should not be used in the CPU pool name when a CPU pool is created.

6.1.2.5 Adding CPUs to a CPU pool

After `VM2000 READY`, all real CPUs which are available for VM2000 operation belong to the standard CPU pool (`*STDPPOOL`).

The VM2000 administrator can use `/SWITCH-VM-CPU` to delete real normal and extra CPUs from a CPU pool and add these to another CPU pool.

6.1.2.6 Assigning a VM or VM group to a (different) CPU pool

After a CPU pool has been created, VM groups (SU /390) or VMs which are not members of any VM group can be assigned to this CPU pool.

The VM2000 administrator assigns VMs and VM groups to a CPU pool when the VM (see [page 135](#)) or VM group is initialized using `/CREATE-VM-GROUP` (with the `CPU-POOL-NAME` operand).



A VM for a CPU pool can be entered in the VM definition with `/CREATE-/MODIFY-VM-DEFINITION`. Detailed information can be found in the [section “Working with VM definitions” on page 200](#).

After the VM or VM group has been created the VM2000 administrator can assign it to another CPU pool during ongoing operation using `/ASSIGN-VM-(GROUP-)TO-CPU-POOL`. The VM's or VM group's CPU quota must be reset in the process.



Note on scheduling

The VMs and VM groups which are assigned to a CPU pool are started only on the real CPUs from this CPU pool. The VM's or VM group's CPU quota determines the CPU share of the CPU capacity in the CPU pool, see [page 283](#).

6.1.2.7 Canceling the assignment of a VM or VM group to a CPU pool

The assignment of a VM or a VM group to a CPU pool is also implicitly canceled by the VM administrator when they terminate a VM (`/DELETE-VM`) or remove a VM group (`/DELETE-VM-GROUP`).



`/DELETE-VM-DEFINITION` cancels the assignment of the VM to a CPU pool entered in the VM definition.

6.1.2.8 Outputting information on a CPU pool

The VM2000 administrator obtains information on a CPU pool using `/SHOW-VM-CPU-POOL`. He/She obtains the following information with this command:

- Name of the CPU pool as defined with `/CREATE-VM-CPU-POOL`
- The scheduling procedure
- The CPUs in the CPU pool and their status
- The VMs assigned to the CPU pool

The VM2000 administrator obtains information on the CPUs in the CPU pool and the VMs which are assigned to a CPU pool using `/SHOW-VM-RESOURCES`.

6.1.2.9 Deleting a CPU pool

The VM2000 administrator deletes a CPU pool using `/DELETE-VM-CPU-POOL`. A prerequisite here is that no CPU and no VM or VM group are contained in the CPU pool.

The standard CPU pool cannot be deleted.

6.1.2.10 Example of managing CPU pools

The example below illustrates how the VM2000 administrator manages CPU pools on an SU /390.

Asynchronous messages are marked with %.

```

/show-vm-resources information=*cpu _____ (1)
VM-ID      CPU-POOL  GR-CPU-Q  CPU-Q/  EFF-Q  MAX-U/  EFF-U  PROC
 1 MONITOR  *STDPool  30.00/  42.85  100.00/  50.00  2(+1)
 2 C1SYS1   *STDPool  40.00/  57.14  100.00/100.00  4(+1)

VM-ID      SCHED  ACT-I  VIRT  CPUS
 1 MONITOR  TS     NO    00(RUN),01(RUN),02(OFF)
 2 C1SYS1   TS     NO    00(RUN),01(RUN),02(RUN),03(RUN),
              04(OFF)

CPU-ATTR   CPU-POOL  REAL  CPUS
NORMAL     *STDPool  00(ATT),01(ATT),02(ATT),03(ATT)
EXTRA      NONE
SPARE      04(DET)

/create-vm-cpu-pool cpu-pool-name=pcust1 _____ (2)
VMS4601 CPU POOL 'PCUST1' CREATED

```

- (1) The command shows the initial situation for this example:
The data center has four real normal CPUs on this Server Unit. The existing spare CPU plays no role here. A customer VM `C1SYS1` with the attributes shown is running. Time slicing (TS) is used for scheduling, see [page 294](#). The VM2000 administrator also operates the customer VM. The meaning of the output columns is described in more detail in the [section “Planning distribution of the CPU capacity to the VMs” on page 283](#).
- (2) The customer now rents two real normal CPUs for his/her exclusive use. To permit this the VM2000 administrator creates the CPU pool `PCUST1`.

```

/switch-vm-cpu cpu-id=(02,03),from-cpu-pool=*stdpool,to-cpu-pool=pcust1,
  attached-vm-cpus=*actions(source-cpu-pool=*adjust-number) _____ (3)
VMS4608 CPU '02' SWITCHED FROM CPU-POOL '*STDPOOL' TO CPU-POOL 'PCUST1'
VMS4608 CPU '03' SWITCHED FROM CPU-POOL '*STDPOOL' TO CPU-POOL 'PCUST1'
VMS4621 IMPLICIT DETACH-DEVICE FOR VIRTUAL CPUS ON
      VIRTUAL MACHINE (2,C1SYS1) STARTED _____ (4)
% VMS2037 NON-INTERRUPTIBLE WAIT STATE FOR VIRTUAL MACHINE (2,C1SYS1),
      CODE 80FFFFFF, CPU 03
% VMS2011 CPU 03 OF VIRTUAL MACHINE (2,C1SYS1) STOPPED
% VMS2037 NON-INTERRUPTIBLE WAIT STATE FOR VIRTUAL MACHINE (2,C1SYS1),
      CODE 80FFFFFF, CPU 02
% VMS2011 CPU 02 OF VIRTUAL MACHINE (2,C1SYS1) STOPPED
/show-vm-cpu-pool cpu-pool-name=*all,information=*cpu _____ (5)
CPU-POOL SCHED CPU-ATTR REAL CPUS
*STDPOOL TS NORMAL 00(ATT),01(ATT)
PCUST1 - NORMAL 02(ATT),03(ATT)
/assign-vm-to-cpu-pool vm-id=c1sys1,to-cpu-pool=pcust1,cpu-quota=80 ____ (6)
VMS4618 CPU POOL ASSIGNMENT OF VIRTUAL MACHINE (2,C1SYS1) CHANGED
      FROM CPU POOL '*STDPOOL' TO CPU POOL 'PCUST1'

```

- (3) The real CPUs 02 and 03 are switched from the standard CPU pool to the customer CPU pool PCUST1.
- (4) The SOURCE-CPU-POOL=*ADJUST-NUMBER operand causes VM2000 to check, for all VMs in the source CPU pool, whether the number of virtual CPUs which they possess remains greater than or equal to the remaining number of real CPUs. In this case VM2000 initiates a detach operation for the virtual CPUs 02 and 03 in the customer system as only two real CPUs are left in the standard CPU pool but four virtual CPUs are running in the customer VM C1SYS1. After detachment virtual CPUs 02 and 03 are still “blocked” (CPU status BLOCK).
- (5) The information output for the CPU pools shows the distribution of real normal CPUs.
- (6) The customer VM C1SYS1 is assigned to the customer CPU pool PCUST1. The VM’s CPU quota is reset in the process.

Note

With this command the default value ATTACHED-VM-CPUS=*CHECK-NUMBER is used to check whether the number of attached virtual CPUs of the VM (2) is less than or equal to the number of attached real CPUs of the CPU pool (2). If this were not the case, the command would be rejected.

```

/ create-vm memory-size=128,vm-name=c1sys2,processor=*bi,cpu-quota=20,
      cpu-pool-name=pcust1 _____ (7)
VMS3050 VIRTUAL MACHINE (3,C1SYS2) CREATED
VMS4615 VIRTUAL MACHINE (3,C1SYS2) ASSIGNED TO CPU POOL 'PCUST1'
/ show-vm-cpu-pool cpu-pool-name=pcust1,information=*vm _____ (8)
CPU-POOL SCHED VM-ID          VM-GROUP ATT PROC
PCUST1    DC      2 C1SYS1          2  4(+1)
           3 C1SYS2          0  2(+1)
/ add-vm-devices vm-id=c1sys2,
      units=*pubset-devices(pubset=*by-pubres-device(unit=fc1c)) _____ (9)
VMS4005 DEVICE 'FC1C' ASSIGNED TO VIRTUAL MACHINE (3,C1SYS2)
VMS4005 DEVICE 'FC1D' ASSIGNED TO VIRTUAL MACHINE (3,C1SYS2)
VMS4220 PUBSET '4IVL' WITH PUBRES DEVICE 'FC1C' ASSIGNED TO VM (3,C1SYS2)
/ add-vm-devices units=(cj,ck),vm-id=c1sys2
VMS4005 DEVICE 'CJ' ASSIGNED TO VIRTUAL MACHINE (3,C1SYS2)
VMS4005 DEVICE 'CK' ASSIGNED TO VIRTUAL MACHINE (3,C1SYS2)
/ start-vm ipl-unit=fc1c,vm-id=c1sys2
% VMS2023 CPU 00 OF VIRTUAL MACHINE (3,C1SYS2) STARTED
% VMS2023 CPU 01 OF VIRTUAL MACHINE (3,C1SYS2) STARTED
% VMS2023 CPU 02 OF VIRTUAL MACHINE (3,C1SYS2) STARTED
% VMS2037 NON-INTERRUPTIBLE WAIT STATE FOR VIRTUAL MACHINE (3,C1SYS2),
      CODE 80FFFFFF, CPU 02
% VMS2011 CPU 02 OF VIRTUAL MACHINE (3,C1SYS2) STOPPED
% VMS2050 GUEST SYSTEM ON VM (3,C1SYS2) READY
/ show-vm-cpu-pool cpu-pool-name=pcust1,information=*summary _____ (10)
CPU-POOL SCHED REAL-NORMAL-CPUS REAL-EXTRA-CPUS VIRT-CPUS
           ALL ATT DET OFF  ALL ATT DET OFF  RUN
PCUST1    TS      2  2  0  0    0  0  0  0    4

```

- (7) The customer wants to have a further VM so that the two customer VMs can share the capacity of the rented CPUs in a ratio of 4:1. For this purpose the VM2000 administrator creates the customer VM C1SYS2 with a CPU quota of 20 and assigns it to the customer CPU pool PCUST1.
- (8) The information output for the customer CPU pool PCUST1 shows that initially only the customer VM C1SYS1 is running. As for two attached virtual CPUs the VM also has two attached real CPUs available in the CPU pool, a fixed assignment is implemented during scheduling (dedicated CPUs, DC), see [page 294](#).
- (9) The customer system is started. Here the virtual spare CPU 02 is also briefly started and then stopped again.
- (10) The information output for the customer CPU pool PCUST1 shows a concise overview of the real and virtual CPUs. As four virtual CPUs are now running on two real CPUs of the CPU pool, time slicing is automatically used for scheduling (TS).


```

/show-vm-resources information=*cpu,
                               vm-id=*by-cpu-pool(cpu-pool-name=pcust1) _____ (11)
VM-ID      CPU-POOL  GR-CPU-Q  CPU-Q/ EFF-Q  MAX-U/ EFF-U  PROC
  2 C1SYS1    PCUST1           80.00/ 40.00 100.00/ 50.00 4(+1)
  3 C1SYS2    PCUST1           20.00/ 10.00 100.00/ 50.00 2(+1)

VM-ID      SCHED ACT-I  VIRT CPUS
  2 C1SYS1    TS     NO    00(RUN),01(RUN),02(BLOCK),03(BLOCK),04(OFF)
  3 C1SYS2    TS     NO    00(RUN),01(RUN),02(OFF)

/showutdown-vm vm-id=c1sys2,action=*shutdown(quiet-time=0) _____ (12)
VMS2054 SHUTDOWN OF GUEST SYSTEM ON VM (3,C1SYS2) INITIATED
% VMS2037 NON-INTERRUPTIBLE WAIT STATE FOR VIRTUAL MACHINE (3,C1SYS2),
      CODE 80FFFFFF, CPU 01
% VMS2033 'EXC0557 SHUTDOWN PROCESSING COMPLETED' FROM VM (3,C1SYS2) VIA SVP
% VMS2051 GUEST SYSTEM ON VM (3,C1SYS2) DOWN; REASON: SHUTDOWN
% VMS2037 NON-INTERRUPTIBLE WAIT STATE FOR VIRTUAL MACHINE (3,C1SYS2),
      CODE 80FFFFFF, CPU 00

/show-vm-cpu-pool cpu-pool-name=pcust1,information=*all
CPU-POOL SCHED CPU-ATTR REAL CPUS
PCUST1    DC  NORMAL  02(ATT),03(ATT) _____ (13)

CPU-POOL SCHED VM-ID      VM-GROUP ATT PROC
PCUST1    DC  2 C1SYS1           2 4(+1)
           3 C1SYS2           0 2(+1)

/delete-vm vm-id=c1sys2 _____ (14)
VMS4009 DEVICE 'CJ' REMOVED FROM VIRTUAL MACHINE (3,C1SYS2)
VMS4009 DEVICE 'CK' REMOVED FROM VIRTUAL MACHINE (3,C1SYS2)
VMS4009 DEVICE 'FC1C' REMOVED FROM VIRTUAL MACHINE (3,C1SYS2)
VMS4009 DEVICE 'FC1D' REMOVED FROM VIRTUAL MACHINE (3,C1SYS2)
VMS4619 VIRTUAL MACHINE (3,C1SYS2) REMOVED FROM CPU POOL 'PCUST1'
VMS4024 VIRTUAL MACHINE (3,C1SYS2) TERMINATED

```

- (11) The information output for the VMs of the customer CPU pool PCUST1 shows that the two VMs are sharing the available CPU capacity in the required ratio (planned values).
- (12) After a certain time, the VM2000 administrator shuts down the guest system on VM C1SYS2.
- (13) As a result the procedure for fixed CPU assignment is automatically used again for scheduling (dedicated CPUs, DC), see [page 294](#).
- (14) The VM is terminated and removed from the customer CPU pool PCUST1.

```

/assign-vm-to-cpu-pool vm-id=c1sys1,to-cpu-pool=*stdpool,cpu-quota=40 - (15)
VMS4618 CPU POOL ASSIGNMENT OF VIRTUAL MACHINE (2,C1SYS1) CHANGED
      FROM CPU POOL 'PCUST1' TO CPU POOL '*STDPOOL'
/switch-vm-cpu cpu-id=*all,from-cpu-pool=pcust1,to-cpu-pool=*stdpool,
  attached-vm-cpus=*actions(target-cpu-pool=*adjust-number) ----- (16)
VMS4608 CPU '02' SWITCHED FROM CPU-POOL 'PCUST1' TO CPU-POOL '*STDPOOL'
VMS4608 CPU '03' SWITCHED FROM CPU-POOL 'PCUST1' TO CPU-POOL '*STDPOOL'
VMS4620 IMPLICIT ATTACH-DEVICE FOR VIRTUAL CPUS ON
      VIRTUAL MACHINE (2,C1SYS1) STARTED ----- (17)
% VMS2023 CPU 02 OF VIRTUAL MACHINE (2,C1SYS1) STARTED
% VMS2023 CPU 03 OF VIRTUAL MACHINE (2,C1SYS1) STARTED
/show-vm-cpu-pool cpu-pool-name=pcust1,information=*all ----- (18)
CPU-POOL SCHED CPU-ATTR REAL CPUS
PCUST1      -    NORMAL    NONE

CPU-POOL SCHED VM-ID      VM-GROUP ATT PROC
PCUST1      -    NONE

/delete-vm-cpu-pool cpu-pool-name=pcust1 ----- (19)
VMS4605 CPU POOL 'PCUST1' DELETED

```

- (15) The VM `C1SYS1` is (once more) assigned to the standard CPU pool. The CPU quota is reset to the earlier value in the process.
- (16) All real CPUs of the customer CPU pool `PCUST1` are once more switched to the standard CPU pool.
- (17) The `TARGET-CPU-POOL=*ADJUST-NUMBER` operand causes VM2000 to check, for all VMs in the target CPU pool, whether the number of virtual CPUs which they possess is less than or equal to the new number of real CPUs. In this case VM2000 initiates an attach operation for virtual CPUs `02` and `03` in the customer system as four real CPUs will be in the standard CPU pool but only two of the four virtual CPUs created are running in the customer VM `C1SYS1`.
- (18) Neither CPUs nor VMs are contained in the CPU pool `PCUST1`. It can be deleted.
- (19) The CPU pool `PCUST1` is deleted.
The initial situation for the example has now been reestablished.

6.1.3 Planning distribution of the CPU capacity to the VMs

The VM2000 administrator can plan how to distribute the CPU capacity to the VMs and VM groups in detail and modify this during ongoing operation.

Parameters for distributing the CPU capacity

Under VM2000 there are two parameters which the VM2000 administrator can use to plan and influence the long-term distribution of the available CPU capacity to the VMs:

- The CPU quota

The CPU quota is a specification made by the VM2000 administrator for the CPU share of the **CPU capacity of the CPU pool** which a VM group or a VM that does not belong to a VM group has in comparison to the other VMs which are assigned to the same CPU pool directly or as members of a VM group.

For VMs which do not belong to a VM group, the CPU quota is specified in the `CPU-QUOTA` operand when the VM is initialized (see [page 135](#)) or specified in `/MODIFY-VM-ATTRIBUTES`.

For VM groups (`SU /390`), the CPU quota is specified in the `CPU-QUOTA` operand of `/CREATE-VM-GROUP` or `/MODIFY-VM-GROUP-ATTRIBUTES`.

For VMs which are members of a VM group, the member CPU quota determines the share the VM has of the VM group's CPU share. The member CPU quota is specified in the `MEMBER-CPU-QUOTA` operand when the VM is initialized (see [page 135](#)) or specified in `/MODIFY-VM-ATTRIBUTES`.

To permit a better comparison, the CPU quotas set are used (on the basis of idealized conditions) to calculate a standardized CPU share for the VM of the **CPU capacity of the Server Unit**, which is referred to as the **effective CPU share of the VM (EFF-Q)**, see [“Calculating the effective CPU share of a VM” on page 288](#).



For the definition of the CPU capacity of a Server Unit, see [page 287](#).

The effective CPU share of a VM is displayed in the `CPU-Q / EFF-Q` column of the VM2000 information commands in addition to the CPU quota set by means of a command.

- The maximum CPU utilization

The maximum CPU utilization restricts the CPU share of a VM or of a VM group. It is specified as the percentage of the **available CPU capacity in VM2000 operation** (number of available real normal CPUs) which is granted for the VM group or VM. The maximum CPU utilization thus restricts the CPU utilization of a VM or of a VM group which would otherwise take up too much CPU time.

For VMs the maximum CPU utilization of the VM is specified in the `MAX-CPU-UTILIZATION` operand when the VM is initialized (see [page 135](#)) or specified in `/MODIFY-VM-ATTRIBUTES`.

For VM groups the maximum CPU utilization is specified in the `MAX-CPU-UTILIZATION` operand of `/CREATE-VM-GROUP` or `/MODIFY-VM-GROUP-ATTRIBUTES`.

A standardized value, known as the **effective maximum CPU utilization of the VM (EFF-U)**, is calculated (on the basis of idealized conditions) from the maximum CPU utilization set, see [“Calculating the effective CPU share of a VM” on page 288](#).

The effective maximum CPU utilization of a VM is displayed in the `CPU-U / EFF-U` column of the VM2000 information commands in addition to the maximum CPU utilization set by means of a command.

Constraints for planning

Idealized conditions are assumed for calculating the effective CPU share and the effective maximum CPU utilization for the VM:

- All real normal CPUs are attached (extra and spare CPUs are ignored)
- All virtual machines are running at peak load on all virtual CPUs, i.e. they are making full use of their CPU time slices
- Performance losses through scheduling are ignored

In ongoing VM2000 operation, `/SHOW-VM-ATTRIBUTES/-RESOURCES` display the planned values under the **idealized** conditions.

In ongoing VM2000 operation, `/SHOW-VM-STATUS` displays the planned values under the **current** conditions and the associated results measurement results, see [page 293](#).

Specifying the parameters for distributing the CPU capacity

The VM2000 administrator has the following options for specifying the two parameters, CPU quota and maximum CPU utilization, which determine the CPU shares of a VM:

- Planning the CPU share of the VMs via the CPU quota in the case of unrestricted CPU utilization of the VMs and VM groups ($\text{MAX-CPU-UTILIZATION} = 100$).
This setting is designed for optimum utilization of the Server Unit. In the case of peak operation in all VMs, the effective CPU share of a VM is determined using the formulae in the section [“Calculating the effective CPU share of a VM” on page 288](#). During off-peak operation, a VM with a low effective CPU quota can still take up a large amount of CPU capacity.

Example (without VM groups)

VM (mono SU)	CPU-QUOTA	MAX-CPU-UTILIZATION	Effective CPU share of the VM ¹
1	10	100	20 %
2	15	100	30 %
3	25	100	50 %

¹ At peak load the CPU would always be assigned here

- Planning the CPU share of **all** VMs via the maximum CPU utilization of the VMs and VM groups ($\text{MAX-CPU-UTILIZATION} < 100$).
If the maximum CPU utilization of the VMs is set such that its sum is less than or equal to 100 (minus the utilization by the VM2000 hypervisor on SU /390), then the maximum CPU utilization of a VM in peak operation corresponds to the maximum CPU utilization of a VM in peak operation also corresponds to its CPU share (in percent). The load on the Server Unit depends on the sum of the maximum CPU utilization of the VMs and the load profiles of the VMs. In this case, the CPU quota is relevant for the prioritization, but not for the possible CPU utilization.

Example (without VM groups)

VM (mono SU)	CPU-QUOTA	MAX-CPU-UTILIZATION	Effective CPU share of the VM ¹
1	10	20	20 %
2	15	25	25 %
3	25	40	40 %

¹ At peak load the CPU would not always be assigned here

- Planning the CPU share of **selected** VMs via the maximum CPU utilization ($\text{MAX-CPU-UTILIZATION} \leq 100$).

In this case, the maximum CPU utilization restricts the VMs which unintentionally take up a lot of CPU capacity. Nevertheless, the Server Unit remains optimally utilized during peak operation. For a restricted VM to be able to utilize its planned CPU capacity, the CPU quotas of the VMs must be set such that the expected CPU share of the VM corresponds to its maximum CPU utilization.

Example (without VM groups)

VM (mono SU)	CPU-QUOTA	MAX-CPU-UTILIZATION	Effective CPU share of the VM ¹
1	10	100	30 %
2	15	100	45 %
3	25	25	25 %

¹ At peak load the CPU would always be assigned here

Example (with one VM group, SU /390)

VM (mono SU)	CPU-QUOTA	MAX-CPU-UTILIZATION	Effective CPU share of the VM ¹
1	10	100	30 %
2	15	100	45 %
VM group GROUP1	25 MEMBER-CPU-QUOTA	25	(25 %) ²
3	80	25	20 %
4	20	25	5 %

¹ At peak load the CPU would always be assigned here

² Distributed over the two VMs of the VM group

Recommendation

The CPU shares of the VMs and VM groups should continue to be regulated via the CPU quota in order to achieve optimum utilization during peak operation.

In the event of VMs with unacceptably high CPU utilization (or if a performance limit has been defined for the CPU time), this can be restricted by the maximum CPU utilization. Measurements have shown that the ratio of "load on the guest system / $\text{MAX-CPU-UTILIZATION}$ " should be under 0.75, otherwise the response time behavior of the guest system concerned deteriorates considerably.

Data centers which provide a certain CPU capacity for a VM (expressed in RPF) must note that the nominal capacity of the Server Unit is reduced through the use of VM2000, depending on the number and multiprocessor level of the VMs. `MAX-CPU-UTILIZATION=20` is thus less than 20% of the Server Unit's capacity!



The multiprocessor level of VMs with greatly restricted performance (effective CPU share < 1, e.g. because of `MAX-CPU-UTILIZATION < 1`) which is selected should also be low (`MONO` or at most `BI` (on Server UNits without spare CPU)) to ensure that the guest system can operate without a hitch.

CPU capacity and CPU share of a VM

In addition to the CPU quota and maximum CPU utilization parameters, the CPU share of a VM also depends on the CPU capacity of the Server Unit or CPU pool to which the VM is assigned.

The **CPU capacity of a Server Unit** is the CPU capacity of the real (normal) CPUs which are available in VM2000 operation (see [page 257](#)), irrespective of whether they are attached or detached. It is expressed in terms of the number of CPUs.



Attached extra CPUs increase the Server Unit's CPU capacity temporarily (see [page 266](#)). They are not taken into account for the calculations in this section.

The **CPU capacity of a CPU pool** is defined as the share of the real normal CPUs of the CPU pool (regardless of whether they are attached or detached) in the CPU capacity of the Server Unit according to the formula

$$\text{CPU capacity of the CPU pool} = \frac{\text{Number of real normal CPUs of the CPU pool} \times 100}{\text{Number of available real normal CPUs}} \%$$

Example

A CPU pool with two real normal CPUs on a Server Unit with 4 CPUs has a CPU capacity which is 50% of that of the Server Unit.

A virtual machine receives a (theoretical) share of the CPU capacity of the CPU pool to which the VM is assigned.

For planning purposes, the CPU capacity of the CPU pool (and the parameters set, see [page 283](#)) are used to calculate the CPU share of a VM in the Server Unit's CPU capacity, see "[Calculating the effective CPU share of a VM](#)" on [page 288](#).

Calculating the effective CPU share of a VM

Theoretical values for the distribution of the available CPU capacity to the virtual machines are calculated under the idealized conditions mentioned on [page 284](#) from the values for the CPU quota and the maximum CPU utilization set by the VM2000 administrator.

Case 1: Not taking into account VM groups

The **effective CPU share of the VM (EFF-Q)** is calculated using the formula:

$$(F1) \quad \text{EFF-Q} = \frac{\text{CPU-QUOTA of the VM} \times \text{CPU capacity of the CPU pool}}{\text{Sum of the CPU-QUOTAs of all VMs of the CPU pool}} \%$$

Example for a CPU pool with 2 normal CPUs bei 4 verfügbaren Normal-CPU's

	VM1 (BI)	VM2 (BI)	VM3 (MONO)
CPU-QUOTA (sum: 150)	90.00	50.00	10.00
Effective CPU share of the VM (EFF-Q) ¹ (CPU capacity of CPU pool: 50 %)	30.00 %	16.67 %	3.33 %

¹ Assuming that the maximum utilization of VMs is not restricted

The effective CPU share of a VM may be restricted by the following constraints:

$$(N1) \quad \text{EFF-Q} \leq \text{Maximum CPU utilization of the VM (by means of command)} \%$$

$$(N2) \quad \text{EFF-Q} \leq \frac{\text{Number of real normal CPUs of the CPU pool} \times 100}{\text{Number of available real normal CPUs}} \%$$

$$(N3) \quad \text{EFF-Q} \leq \frac{\text{Number of virtual CPUs of the VM (multiprocessor level)} \times 100}{\text{Number of available real normal CPUs}} \%$$

The **effective maximum CPU utilization of the VM (EFF-U)** is the minimum value for these constraints and restricts the effective CPU share of the VM:

$$(F2) \quad \text{EFF-Q} \leq \text{EFF-U} = \text{Minimum}((N1), (N2), (N3))$$

If the effective CPU share of one or more VMs (according to formula (F1)) is restricted by the effective maximum CPU utilization of the VM, the remaining CPU share is distributed to the unrestricted VMs in accordance with their CPU quota:

$$(F3) \quad \text{EFF-Q} = \frac{\text{CPU-QUOTA of the VM} \times (\text{CPU capacity of the CPU pool} - \sum \text{CV})}{\text{Sum of the CPU-QUOTAs of all unrestricted VMs of the CPU pool}} \%$$

where $\sum \text{CV}$ = Sum of the effective CPU shares of the VMs of the CPU pool whose effective CPU share is restricted by (N1) or (N3).

Example for a CPU pool with 2 normal CPUs and 4 available normal CPUs with restricted VMs

	VM1 (BI)	VM2 (BI)	VM3 (MONO)
CPU-QUOTA (sum: 150)	10.00	50.00	90.00
EFF-Q acc. to formula (F1) (CPU capacity of CPU pool: 50 %)	3.33 %	16.67 %	30.00 %
MAX-CPU-UTILIZATION	100.00	15.00	60.00
Effective maximum utilization of the VM (EFF-U)	50,00 % because of (N2)	15,00 % because of (N1)	25,00 % because of (N3)
Effective CPU share of the VM restricted by EFF-U	10,00 % acc. to formula (F3)	15,00 % acc. to formula (F2)	25,00 % acc. to formula (F2)

The CPU share is calculated in the VM2000 hypervisor. In the example, VM3 was given the maximum possible CPU share; the rest of the CPU capacity of the CPU pool remains for VM1 and VM2.

(In practice, the above example would mean that VM3 should be assigned the CPU capacity of one of the two CPUs available in the CPU pool (50% of the pool's CPU capacity = 25% of the Server Unit's CPU capacity = one CPU), while VM1 and VM2 with their two virtual CPUs each would share the CPU capacity of the other CPU in the CPU pool.)

Case 2: Taking into account VM groups (SU /390)

The **effective CPU share of the VM (EFF-Q)** is calculated using the formula:

(F1a)	$\text{EFF-Q (VM or VM group)} = \frac{\text{CPU-QUOTA (VM w/o VM group)} \times \text{CPU capacity of the CPU pool}}{\text{Sum of CPU-QUOTA of all VMs w/o group and VM gr. of CPU pool}} \%$
(F1b)	$\text{EFF-Q (VM in the group)} = \frac{\text{MEMBER-CPU-QUOTA of the VM} \times \text{EFF-Q of the VM group}}{\text{Sum of the MEMBER-CPU-QUOTAs of all VMs in the group}} \%$

Example for a CPU pool with 2 normal CPUs on one Server Unit with 4 CPUs

VMs	VM1 (BI)	VM group GROUP1	
		VM2 (BI)	VM3 (MONO)
CPU-QUOTA (sum: 150)	90.00	60.00 (effective CPU share of the VM group: 60*50/150 = 20 %)	
MEMBER-CPU-QUOTA (in VM group)	–	50.00	10.00
Effective CPU share of the VM (EFF-Q) ¹ acc. to formulas (F1a) and (F1b) (CPU capacity of CPU pool: 50 %)	30.00 %	16.67 % ²	3.33 % ²

¹ Assuming that the maximum utilization of VMs is not restricted

² Ignoring “load balancing within the VM group”, see [page 297](#)

The effective CPU share of a VM may be restricted by the following constraints:

- (N1a) $\text{EFF-Q} \leq \text{maximale CPU-Leistungsaufnahme der VM (per Kommando)} \%$
- (N1b) $\text{EFF-Q} \leq \text{maximale CPU-Leistungsaufnahme der VM-Gruppe (per Kommando)} \%$
- (N2) $\text{EFF-Q} \leq \frac{\text{Number of real normal CPUs of the CPU pool} \times 100}{\text{Number of available real normal CPUs of the server}} \%$
- (N3) $\text{EFF-Q} \leq \frac{\text{Number of virtual CPUs of the VM (multiprocessor level)} \times 100}{\text{Number of available real normal CPUs of the server}} \%$

The **effective maximum CPU utilization of the VM (EFF-U)** is the minimum value for these constraints and restricts the effective CPU share of the VM:

(F2)	$\text{EFF-Q} \leq \text{EFF-U} = \text{Minimum}((\text{N1a}), (\text{N1b}), (\text{N2}), (\text{N3}))$
------	---

If the effective CPU share of one or more VMs (according to formulae (F1) and (F1b)) is restricted by the effective maximum CPU utilization of the VM, the remaining CPU share is distributed over the unrestricted VMs in accordance with their CPU quota:

$$(F3) \quad \text{EFF-Q} = \frac{\text{CPU-QUOTA of the VM} \times (\text{CPU capacity of the CPU pool} - \sum \text{CV})}{\text{Sum of the CPU-QUOTAs of all unrestricted VMs of the CPU pool}} \%$$

where $\sum \text{CV}$ = Sum of the effective CPU shares of the VMs of the CPU pool whose effective CPU share is restricted by (N1) or (N3).

Example for a CPU pool with 2 normal CPUs on a Server Unit with restricted VMs

VMs	VM group GROUP1		
	VM1 (BI)	VM2 (BI)	VM3 (MONO)
CPU-QUOTA (sum: 100)	10.00	90.00 (effective CPU share of the VM group: 90*50/100 = 45 %)	
MEMBER-CPU-QUOTA (in VM group)	–	50.00	90.00
Effective CPU share of the VM (EFF-Q) acc. to formulas (F1a) and (F1b) (CPU capacity of CPU pool:50 %)	5.00 %	16.07 %	28.93 %
MAX-CPU-UTILIZATION (VM group)	–	50.00	
MAX-CPU-UTILIZATION (VM)	100.00	15.00	60.00
Effective maximum utilization (EFF-U)	50,00 % because of (N2)	15,00 % because of (N1a)	25,00 % because of (N3)
Effective CPU share of the VM with constraints (EFF-Q)	10,00 % acc. to formula (F3)	15,00 % acc. to formula (F2)	25,00 % acc. to formula (F2)

The CPU share is calculated in the VM2000 hypervisor. In the example, VM3 was given the maximum possible CPU share; the rest of the CPU capacity of the CPU pool remains for VM1 and VM2.

(In practice, the above example would mean that VM3 should be assigned the CPU capacity of one of the two CPUs available in the CPU pool (50% of the pool's CPU capacity = 25% of the Server Unit's CPU capacity = one CPU), while VM1 and VM2 with their two virtual CPUs each would share the CPU capacity of the other CPU in the CPU pool.)

Changes to the effective CPU share of a VM

The VM2000 administrator can explicitly control the effective CPU share of a VM by changing the CPU quota and the maximum CPU utilization, see [page 283](#). The relevant values are displayed using `/SHOW-VM-RESOURCES INFORMATION=*CPU`, see [page 635](#).

The effective CPU share of the VM changes implicitly during ongoing operation when the following changes occur:

- The CPU quota of another VM or VM group which is assigned to the same CPU pool changes
- The maximum utilization of the VM or VM group changes, which affects the VM's effective CPU share
- The number of normal CPUs which belong to the same CPU pool changes (regardless of their reconfiguration status)
- The VM is assigned to another CPU pool
- The VM is migrated
- The number of VMs which are assigned to the same CPU pool changes
- The number of VMs which belong to the same CPU pool changes
- The CPU quota of the VM group to which the VM belongs changes

The effective CPU share of a VM does not change when **virtual** CPUs are reconfigured in the guest system.

When **real** CPUs are reconfigured, the number of active CPUs in VM2000 changes, but not the CPU capacity of the Server Unit under the assumed idealized conditions. The effective CPU share and the effective maximum utilization of the VMs do not change.

The attachment of an extra CPU does not cause the effective CPU share of the VMs to change.

Output of the current planned and measured values for the CPU share of the VMs

The `/SHOW-VM-STATUS` command (see [page 659](#)), in contrast to the idealized conditions assumed for planning, uses the current values of the active objects in VM2000 operation.

The active objects in VM2000 operation are:

- The attached real normal and **extra** CPUs
- The VMs in the RUNNING status
- The active virtual CPUs

As with the idealized conditions, it is assumed that all VMs in the RUNNING status are running at peak load on all active virtual CPUs, i.e. they are making full use of their CPU time slices.

In the VM-specific information block, `/SHOW-VM-STATUS INFORMATION=*STD/*TIMER` displays, in addition to the CPU quota set (CPU-Q), the planned values for the CPU share of the VMs (CUR-Q) calculated on the basis of the active objects in VM2000 operation and the maximum CPU utilization of the VMs (CUR-U), see [page 666](#).

The calculation is based on the formulae `EFF-Q` and `EFF-U`, which are shown on [page 288](#), but related to the active objects in VM2000 operation.

By way of comparison, the command displays the current measured values for the CPU shares of the VMs in absolute terms and as percentage values.

6.1.4 Scheduling procedure

When scheduling a VM, operable virtual CPUs of a VM are started up on free real CPUs from the CPU pool to which the VM is assigned.

Here the CPU pools CPU capacity is distributed to the operable virtual machines in the most efficient manner in accordance with the settings for the VMs (see [page 283](#)).

390 On SU /390 scheduling is implemented by the VM2000 hypervisor in one of two different procedures:

- Fixed CPU assignment (dedicated CPUs)
- CPU assignment in the time-slicing procedure

x86 On SU x86 scheduling is implemented by the Xen hypervisor in a manner similar to time slicing.

The current scheduling procedure for a VM is output using `/SHOW-VM-ATTRIBUTES, /SHOW-VM-RESOURCES, /SHOW-VM-CPU-POOL` with `INFORMATION=*CPU`.

6.1.4.1 Fixed CPU assignment (dedicated CPUs, SU /390)

If the number of attached real CPUs in a CPU pool is **greater than or equal to** the sum of the attached virtual CPUs of all active VMs (RUNNING status) which are assigned to this CPU pool, VM2000 permanently assigns precisely one CPU to each virtual CPU of a VM. These CPUs are referred to as dedicated CPUs.

In the VM2000 information commands this scheduling procedure is referred to as DC (dedicated CPUs).

Fixed CPU assignment is ideal if there is a sufficient number of real CPUs since each virtual CPU always runs on one and the same real CPU.

No losses in performance occur as a result of cache reestablishment when the virtual CPU is switched or the context is changed to the VM2000 hypervisor in the idle state (when `VM-ACTIVE-IDLE=*AT-DEDICATED-CPUS`, see [page 144](#)).

However, if a real CPU is not used, it remains in the idle state. It is not assigned to another VM which is waiting outside the CPU pool.

For VMs in this scheduling procedure, the `VM-ACTIVE-IDLE` attribute determines whether a VM still retains control over a real CPU if the VM's virtual CPU which is running on it is inactive (interruptible wait state), see [page 144](#). The setting for `VM-ACTIVE-IDLE` is displayed using `/SHOW-VM-ATTRIBUTES/-RESOURCES INFORMATION=*CPU`.

If a limit for CPU utilization is also set for the VM, this attribute is not effective. `/SHOW-VM-STATUS INFORMATION=*SCHEDULE` displays whether this attribute is currently effective, see [page 672](#).

If the number of attached real CPUs drops below the required number (e.g. through reconfiguration or addition of a new VM), VM2000 switches to time slicing for the purpose of CPU distribution.

Example

The virtual machines `SYSTEM1` and `SYSTEM2` are assigned to the CPU pool `POOL1`. Both VMs are running with two virtual CPUs each. As four real CPUs are attached in the CPU pool, the real CPUs are permanently assigned to the virtual CPUs.

Only the effective maximum utilization of the VM is taken into account for scheduling. The CPU quota is of no significance here.

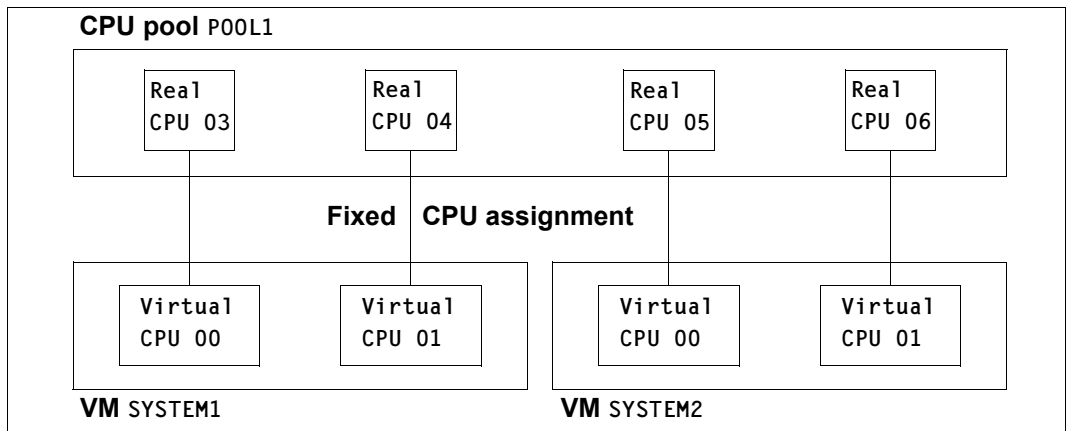


Figure 17: Example of fixed CPU assignment

In the example above, the CPU capacity of `POOL1` on a Server Unit with 8 CPUs would be 50% (4 of 8 CPUs). `SYSTEM1` and `SYSTEM2` each occupy 2 of the 4 CPUs in the pool. The effective CPU share of each VM is 25% (2 of 8 CPUs of the Server Unit), provided the maximum CPU utilization of the VM does not restrict this further.

6.1.4.2 CPU assignment in time slicing (SU /390)

Normally the number of attached real CPUs in a CPU pool is **less than** the sum of the attached virtual CPUs of all active VMs (RUNNING status) which are assigned to this CPU pool. In this case the hypervisor starts a virtual CPU on a real CPU from the pool using time slicing.

In the VM2000 information commands this scheduling procedure is identified with TS (time slicing).

This CPU assignment makes optimum use of the real CPUs available if direct CPU assignment is not possible.

Operable virtual CPUs of all VMs of the same CPU pool wait for CPU assignment by the VM2000 hypervisor.

If the number of attached real CPUs compared to the number of virtual CPUs increases to the required number (e.g. through reconfiguration or shutdown of a VM), VM2000 automatically switches to the procedure for fixed CPU assignment.

In time slicing, CPUs are assigned in two stages:

1. Selection of the VM group or of the VM that does not belong to a VM group
2. Selection of the virtual CPU of a VM of this VM group or of the VM that does not belong to a VM group which is to run on a free real CPU from the assigned CPU pool

The VM group or the VM that does not belong to a VM group is selected according to the following criteria (see also the [section "Planning distribution of the CPU capacity to the VMs" on page 283](#)):

- CPU quota (CPU-QUOTA)
The greater the CPU quota, the sooner the VM group/VM that does not belong to a VM group will be selected.
- CPU time consumed in the immediate past (CPU intensity)
Here it is not the absolute CPU time after the guest systems were started which is evaluated, but the CPU time consumed within a limited period. This CPU intensity of a VM group/VM that does not belong to a VM group is calculated by the hypervisor and is periodically aged. The CPU intensity depends on the load of the VM group/VM that does not belong to a VM group.
- Maximum CPU utilization (MAX-CPU-UTILIZATION)
When the upper limit for CPU utilization by the VM group/VM that does not belong to a VM group is reached, the virtual CPUs of the VM group/VM that does not belong to a VM group are not started until this upper limit is no longer exceeded (through aging of the CPU intensity).

- The VM group is regarded as a unit
If a VM in the VM group does not use up the CPU share intended for it, the other VMs of this VM group are automatically given preference over VMs which do not belong to this VM group with regard to CPU assignment. In this case the CPU intensity of the VM group is of greater significance than the CPU intensity of the member VM (“load balancing within a VM group”).

CPU affinity

With time slicing, VM2000 uses scheduling to ensure that a virtual CPU runs on the **same** real CPU when the next scheduling operation takes place. This procedure is known as “CPU affinity of the virtual CPU to a real CPU”. It improves the performance of the Server Unit under VM2000 during peak operation.

However, the primary goal is still to optimize the response time, i.e.:

- no IDLE state for a real CPU while a virtual CPU of a VM in the CPU pool is ready
- orderly distribution of the CPU capacity of the real CPUs in the CPU pools to the virtual CPUs.

Size of the time slice

The size of the time slice for each VM of VM2000 is defined dynamically in the range 0.1 through 8.0 milliseconds. VMs with a “very small” CPU quota are then also assigned a smaller time slice.

The size of the time slice is recalculated when the VM’s effective CPU share is modified (EFF-Q, see [page 288](#)).

Example

Time slice size for a bi-VM with EFF-Q=0.5 on a Server Unit with 4 CPUs:

$$0,5 * 4 \text{ (real CPUs)} / 2 \text{ (virtual CPUs)} = 1,0 \text{ ms}$$

As of EFF-Q=4,0 the VM would have the existing time slice of 8 ms.

For EFF-Q < 0,05 scheduling every 100 ms is no longer guaranteed.

/SHOW-VM-STATUS INFORMATION=*SCHEDULE outputs the size of the time slice which is currently set for the VM in the VM-specific information block, output field TIME SLICE DEF, see [page 673](#).

It is the task of the VM2000 administrator to ensure that the effective (EFF-Q, see [page 288](#)) and consequently the current (CUR-Q, see [page 293](#)) CPU share of the VM is large enough to permit the VM to obtain control of the CPU sufficiently frequently, generally once a second.

6.1.5 Example of CPU management

This example explains the various outputs for CPU management in the various VM2000 information commands on SU /390.

Asynchronous messages are marked with %.

An example relating specifically to the management of the CPU pool is provided on [page 278](#).

```

/show-vm-resources information=*cpu
VM-ID      CPU-POOL  GR-CPU-Q  CPU-Q/  EFF-Q  MAX-U/  EFF-U  PROC
 1 MONITOR  *STDPOOL          20.00/ 10.00 100.00/ 25.00 1(+1)
 2 SYSTEM2  *STDPOOL    80.00   70.00/ 28.00 100.00/ 40.00 2(+1)  (1)
 3 SYSTEM3  *STDPOOL    80.00   30.00/ 12.00  20.00/ 20.00 1(+1)
 4 SYSTEM4  EXCLPOOL          1.00/ 50.00 100.00/ 50.00 2(+1)  (2)
----- (3)
VM-ID      SCHED  ACT-I  VIRT  CPUS
 1 MONITOR  DC     NO    00(RUN),01(SLEEP)  (4)
 2 SYSTEM2  -     NO    00(INIT),01(INIT),02(OFF)
 3 SYSTEM3  -     NO    00(INIT),01(OFF)
 4 SYSTEM4  DC    AT-DC 00(RUN),01(RUN),02(OFF)  (5)

CPU-ATTR  CPU-POOL  REAL  CPUS
NORMAL    *STDPOOL  00(ATT),01(ATT)  (6)
          EXCLPOOL  02(ATT),03(ATT)
EXTRA
SPARE          NONE
          04(DET)

```

- (1) Both a monitor VM with the CPU quota 20 and a VM group `EXTGROUP` with the CPU quota 80 (column `GR-CPU-Q`) have been created for this example. In other words the monitor VM and the VM group `EXTGROUP` are to share the CPU capacity of the standard CPU pool in a ratio of 20:80.

The member CPU quota for the VMs `SYSTEM2` and `SYSTEM3` of the VM group `EXTGROUP` is shown in the output column `CPU-Q`.

See also `/SHOW-VM-GROUP`, (7).

- (2) The VM `SYSTEM4` is assigned to the CPU pool `EXCLPOOL`.

- (3) The displayed planned values effective CPU quota (EFF-Q) and effective maximum CPU utilization (EFF-U) under idealized conditions are calculated using the formulae and constraints in the [section “Planning distribution of the CPU capacity to the VMs” on page 283](#):
- CPU capacity of *STDPPOOL and EXCLPOOL: 50% each (two of four real CPUs each, see (6))
 - For the VMs and VM groups in the standard CPU pool according to the formulae on [page 290](#):
 - Monitor VM: $EFF-Q = 20 \cdot 50 / 100 = 10\%$ according to the formula (F1a)
 $EFF-U = 1 \cdot 100 / 4 = 25\%$ according to the constraint (N3)
 - VM group EXTGROUP: $EFF-Q = 80 \cdot 50 / 100 = 40\%$ acc. to the formula (F1a)
 $EFF-U = 40\%$ by means of command
 - SYSTEM2: $EFF-Q = 70 \cdot 40 / 100 = 28\%$ according to the formula (F1b)
 $EFF-U = 40\%$ according to the constraint (N1b)
 - SYSTEM3: $EFF-Q = 30 \cdot 40 / 100 = 12\%$ according to the formula (F1b)
 $EFF-U = 20\%$ according to the constraint (N1a)
 - For the VM in the CPU pool EXCLPOOL according to the formulae on [page 288](#):
 - SYSTEM4: $EFF-Q = 1 \cdot 50 / 1 = 50\%$ according to the formula (F1)
 $EFF-U = 2 \cdot 100 / 4 = 50\%$ according to the constraint (N2) or (N3)
- (4) In the standard CPU pool the monitor VM is using the scheduling procedure with fixed CPU assignment as only one virtual CPU is running but two real attached CPUs are available (see (6)).
 The virtual spare CPU 01 is operable (SLEEP status) so that it can immediately take over if the only virtual CPU fails.
 The VMs SYSTEM2 and SYSTEM3 have not yet been started.
- (5) In the CPU pool EXCLPOOL the (only) VM SYSTEM4 is using the scheduling procedure with fixed CPU assignment with two virtual CPUs on two attached real CPUs (see (6)). The CPU quota is not relevant here; the VM uses the two available CPUs exclusively. The VM2000 administrator has set the attribute VM-ACTIVE-IDLE=*AT-DEDICATED-CPUS for this VM. This means that the VM retains control over a real CPU even if the virtual CPU which runs on it is inactive.
- (6) Two attached real normal CPUs (ATT status) each are contained in the standard CPU pool and in the CPU pool EXCLPOOL.
 The CPU capacity of *STDPPOOL and EXCLPOOL is 50% each (2 of 4 real normal CPUs of the Server Unit, according to the formula on [page 287](#)). The detached extra and spare CPUs (DET status) are not relevant for this example.

```

/show-vm-group vm-group-name=*all,information=*all _____ (7)
VM-GROUP CPU-POOL CPU-Q MAX-U
EXTGROUP *STDPool 80.00 40.00

VM-GROUP CPU-POOL VM-ID CPU-Q / EFF-Q MAX-U / EFF-U
EXTGROUP *STDPool 2 SYSTEM2 70.00 / 28.00 100.00 / 40.00 _____ (8)
                 3 SYSTEM3 30.00 / 12.00 20.00 / 20.00

/start-vm ip1-unit=fc1a,vm-id=system2,information-byte=*dialog _____ (9)
% VMS2023 CPU 00 OF VIRTUAL MACHINE (2,SYSTEM2) STARTED

```

- (7) For this example a VM group `EXTGROUP` has been created with a planned CPU quota of 80% and a planned maximum CPU utilization of 40% of the Server Unit's CPU capacity (in this example this corresponds to 80% of the CPU capacity of the standard CPU pool).
- (8) The VM group `EXTGROUP` contains two VMs:
- `SYSTEM2` with a member CPU quota 70 and unrestricted CPU utilization
 - `SYSTEM3` with a member CPU quota 30 and maximum CPU utilization of 20.
- In other words `SYSTEM2` and `SYSTEM3` should share the CPU capacity intended for the VM group in a ratio of 70:30.
- (9) The VM2000 administrator starts the guest system on the VM `SYSTEM2`.

/show-vm-resources information=*cpu

VM-ID	CPU-POOL	GR-CPU-Q	CPU-Q/	EFF-Q	MAX-U/	EFF-U	PROC
1 MONITOR	*STDPPOOL		20.00/	10.00	100.00/	25.00	1(+1)
2 SYSTEM2	*STDPPOOL	80.00	70.00/	28.00	100.00/	40.00	2(+1)
3 SYSTEM3	*STDPPOOL	80.00	30.00/	12.00	20.00/	20.00	1(+1)
4 SYSTEM4	EXCLPOOL		1.00/	50.00	100.00/	50.00	2(+1)

VM-ID SCHED ACT-I VIRT CPUS

VM-ID	SCHED	ACT-I	VIRT	CPUS
1 MONITOR	DC	NO	00(RUN),01(SLEEP)	
2 SYSTEM2	DC	NO	00(RUN),01(STOP),02(OFF)	(10)
3 SYSTEM3	-	NO	00(INIT),01(OFF)	
4 SYSTEM4	DC	AT-DC	00(RUN),01(RUN),02(OFF)	

CPU-ATTR CPU-POOL REAL CPUS

CPU-ATTR	CPU-POOL	REAL	CPUS
NORMAL	*STDPPOOL	00(ATT),01(ATT)	
	EXCLPOOL	02(ATT),03(ATT)	
EXTRA		NONE	
SPARE		04(DET)	

/show-vm-status information=*all,period=*recent(seconds=60) (11)

/SHOW-VM-STATUS DATA OUTPUT: (PERIOD= 61.844 SEC)

CPU TIMER INFORMATION FOR REAL CPU(S) (12)

CPU-POOL	REAL CPU	HPV-ACTIVE		HPV-IDLE		ALL-VMS-ACTIVE	
		TIME/	%	TIME/	%	TIME/	%
*STDPPOOL		0.017/	0.01	123.625/	99.95	0.046/	0.04
	00	0.016/	0.03	61.784/	99.90	0.044/	0.07
	01	0.001/	0.00	61.841/	100	0.002/	0.00
EXCLPOOL		0.014/	0.01	0.000/	0.00	123.674/	99.99
	02	0.007/	0.01	0.000/	0.00	61.837/	99.99
	03	0.007/	0.01	0.000/	0.00	61.837/	99.99

(Output continued on the next page)

- (10) SYSTEM2 has been set up as a biprocessor system and initially starts up on the virtual CPU 00 (IPL-CPU, RUN status). The virtual CPU 01 is still in SVP stop (STOP status). Furthermore, VM2000 has also assigned VM the virtual spare CPU 02. It is not operable (OFF status) as the startup phase is running and later two attached virtual normal CPUs will be available for this VM. Scheduling continues with fixed CPU assignment. Two virtual CPUs are now running on two real CPUs in the standard CPU pool.
- (11) To compare the planned values for distributing the CPU capacity to the VMs with the current measured values, the VM2000 administrator outputs the data collection of the last 60 seconds for all VMs.
- (12) Output of the CPU-specific information block for INFORMATION=*TIMER:
- There is little load on the CPUs of the standard CPU pool
 - The CPUs of the CPU pool EXCLPOOL always remain under the control of the VM owing to the attribute VM-ACTIVE-IDLE=*AT-DEDICATED-CPUS

CPU TIMER INFORMATION FOR VM(S) _____ (13)

CPU-POOL						
VM-GROUP	VIRT	CPU-Q	CUR-Q	CUR-U	VM - ACTIVE	
VM-ID	CPU				TIME/	%
*STDPOOL(P)			50.00	50.00	0.043/	0.01
1 MONITOR		20.00	25.00	25.00	0.041/	0.02
	00				0.041/	0.01
EXTGROUP(G)		80.00	25.00	25.00	0.002/	0.00
2 SYSTEM2		70.00	25.00	25.00	0.002/	0.00
	00				0.002/	0.00
EXCLPOOL(P)			50.00	50.00	123.653/	49.98
4 SYSTEM4		1.00	50.00	50.00	123.653/	49.99
	00				61.777/	24.97
	01				61.876/	25.01

CPU COUNTER INFORMATION FOR REAL CPU(S) _____ (14)

CPU-POOL						
REAL	I-O	INT.	INTERCEPT.	EMULATION	SCHEDULE	
CPU	COUNT/	%	COUNT/	%	COUNT/	%
*STDPOOL	00	281/100	1153/	47	4/100	1153/ 47
	01	0/ 0	61/ 2		0/ 0	61/ 2
EXCLPOOL	02	0/ 0	625/ 25		0/ 0	625/ 25
	03	0/ 0	624/ 25		0/ 0	624/ 25

CPU COUNTER INFORMATION FOR VM(S)

CPU-POOL						
VIRT	I-O	INT.	INTERCEPT.	EMULATION	SCHEDULE	
CPU	COUNT/	%	COUNT/	%	COUNT/	%
*STDPOOL						
1 MONITOR	00	281/100	1153/	47	4/100	1153/ 47
2 SYSTEM2	00	0/ 0	61/ 2		0/ 0	61/ 2
EXCLPOOL						
4 SYSTEM4	00	0/ 0	624/ 25		0/ 0	624/ 25
	01	0/ 0	625/ 25		0/ 0	625/ 25

(Output continued on the next page)

(13) Output of the VM-specific information block for INFORMATION=*TIMER:

- The CUR-Q and CUR-U columns display the calculated current CPU share and the calculated maximum CPU utilization in relation to the active objects in VM2000 operation (see [page 293](#)). These differ from the planned values under idealized conditions (cf. (3)) as only 4 of 6 normal CPUs and only 3 of 4 VMs are active. Each virtual CPU thus runs on a real CPU of the Server Unit.
- Data for the VM SYSTEM3 is not displayed as no virtual CPU is active in this VM.

(14) Output of the information blocks for INFORMATION=*COUNTER

```

SCHEDULE INFORMATION FOR REAL CPU(S) ----- (15)
CPU-POOL   REAL   <-- TIME SLICE -->  NON-AFFIN SCHED
           CPU     AVG %RUNOUT %SHORT   %IDLE %LOAD
*STDPOOL   00      0.03      0      92  DEDICATED SCHED
           01      0.03      0     100  DEDICATED SCHED
EXCLPOOL   02      VM-ACTIVE-IDLE  DEDICATED SCHED
           03      VM-ACTIVE-IDLE  DEDICATED SCHED

```

```

SCHEDULE INFORMATION FOR VM(S)
CPU-POOL   VIRT <--   TIME SLICE   -->  NON-AFFIN SCHED  %WAIT
VM-ID      CPU  DEF  AVG %RUNOUT %SHORT   %IDLE %LOAD    TIME
*STDPOOL
 1 MONITOR  00  8.00  0.03      0      92  DEDICATED SCHED  --
 2 SYSTEM2  00  8.00  0.02      0     100  DEDICATED SCHED  --
EXCLPOOL
 4 SYSTEM4  00  99.00 VM-ACTIVE-IDLE  DEDICATED SCHED  --
           01      VM-ACTIVE-IDLE  DEDICATED SCHED  --

```

```

% VMS2023 CPU 01 OF VIRTUAL MACHINE (2,SYSTEM2) STARTED ----- (16)
% VMS2023 CPU 02 OF VIRTUAL MACHINE (2,SYSTEM2) STARTED ----- (17)
% VMS2037 NON-INTERRUPTIBLE WAIT STATE FOR VIRTUAL MACHINE (2,SYSTEM2),
      CODE 80FFFFFF, CPU 02
% VMS2011 CPU 02 OF VIRTUAL MACHINE (2,SYSTEM2) STOPPED
% VMS2050 GUEST SYSTEM ON VM (2,SYSTEM2) READY

```

- (15) Output of the information blocks for INFORMATION=*SCHEDULE
- (16) The second virtual CPU 01 of the guest system on the VM SYSTEM2 is attached.
- (17) The virtual spare CPU 02 is briefly started and then stopped again.

```
/show-vm-status information=*timer,period=*recent(seconds=180) ----- (18)
```

```
/SHOW-VM-STATUS DATA OUTPUT: (PERIOD= 184.745 SEC)
```

```
CPU TIMER INFORMATION FOR REAL CPU(S)
```

CPU-POOL	REAL CPU	HPV-ACTIVE TIME/ %	HPV-IDLE TIME/ %	ALL-VMS-ACTIVE TIME/ %
*STDPOOL		2.004/ 0.54	356.243/96.41	11.243/ 3.04
	00	1.113/ 0.60	177.743/96.21	5.889/ 3.19
	01	0.891/ 0.48	178.500/96.62	5.354/ 2.90
EXCLPOOL		0.044/ 0.01	0.000/ 0.00	369.446/99.99
	02	0.022/ 0.01	0.000/ 0.00	184.723/99.99
	03	0.022/ 0.01	0.000/ 0.00	184.723/99.99

```
CPU TIMER INFORMATION FOR VM(S)
```

CPU-POOL	VM-GROUP	VM-ID	VIRT CPU	CPU-Q	CUR-Q	CUR-U	VM - ACTIVE TIME/ %
*STDPOOL(P)					50.00	50.00	11.241/ 1.52
# 1	MONITOR			20.00	10.00	25.00	0.161/ 0.02 ----- (19)
			00				0.161/ 0.02
# EXTGROUP(G)				80.00	40.00	40.00	11.080/ 1.50
# 2	SYSTEM2			70.00	40.00	40.00	11.080/ 1.50 ----- (20)
			00				9.889/ 1.33
*			01				1.191/ 0.16
*			02				0.000/ 0.00
EXCLPOOL(P)					50.00	50.00	369.377/ 49.98
4	SYSTEM4			1.00	50.00	50.00	369.377/ 49.98
			00				184.639/ 24.98
			01				184.738/ 24.99

- (18) The VM2000 administrator checks the resultant changes to the time values.
- (19) The values CUR-Q and CUR-U for the monitor VM are now the same as the planned values EFF-Q and EFF-U as SYSTEM2 is active with two virtual normal CPUs. # indicates the changes to the current CPU share (CUR-Q) for the VMs MONITOR and SYSTEM2, and for the VM group EXTGROUP.
- (20) SYSTEM2, as the only active VM of the VM group EXTGROUP, is assigned all the VM group's share of the Server Unit's CPU capacity while SYSTEM3 is not active. * indicates rows which can contain falsified monitored data for ACTIVE times (the virtual CPUs 01 and 02 of the VM SYSTEM2 have been attached and detached in the monitoring interval).


```
/show-vm-resources information=*cpu
```

```
VM-ID      CPU-POOL  GR-CPU-Q  CPU-Q/  EFF-Q  MAX-U/  EFF-U  PROC
1 MONITOR  *STDPOOL                20.00/ 10.00 100.00/ 25.00 1(+1)
2 SYSTEM2  *STDPOOL    80.00    70.00/ 28.00 100.00/ 40.00 2(+1)
3 SYSTEM3  *STDPOOL    80.00    30.00/ 12.00  20.00/ 20.00 1(+1)
4 SYSTEM4  EXCLPOOL                1.00/ 50.00 100.00/ 50.00 2(+1)
```

```
VM-ID      SCHED  ACT-I  VIRT  CPUS
1 MONITOR  TS     NO     00(RUN),01(SLEEP)
2 SYSTEM2  TS     NO     00(RUN),01(RUN),02(OFF) ----- (21)
3 SYSTEM3  -      NO     00(INIT),01(OFF)
4 SYSTEM4  DC     AT-DC  00(RUN),01(RUN),02(OFF)
```

```
CPU-ATTR  CPU-POOL  REAL  CPUS
NORMAL    *STDPOOL  00(ATT),01(ATT)
          EXCLPOOL  02(ATT),03(ATT)
EXTRA     NONE
SPARE     04(DET)
```

```
/assign-vm-group-to-cpu-pool vm-group-name=extgroup,to-cpu-pool=exclpool,
cpu-quota=1,attached-vm-cpus=*check-number ----- (22)
```

```
VMS4627 CPU POOL ASSIGNMENT OF VM GROUP 'EXTGROUP' CHANGED FROM
        CPU POOL '*STDPOOL' TO CPU POOL 'EXCLPOOL'
```

```
/show-vm-resources information=*cpu
```

```
VM-ID      CPU-POOL  GR-CPU-Q  CPU-Q/  EFF-Q  MAX-U/  EFF-U  PROC
1 MONITOR  *STDPOOL                20.00/ 25.00 100.00/ 25.00 1(+1) ----- (23)
2 SYSTEM2  EXCLPOOL    1.00    70.00/ 17.50 100.00/ 40.00 2(+1)
3 SYSTEM3  EXCLPOOL    1.00    30.00/  7.50  20.00/ 20.00 1(+1)
4 SYSTEM4  EXCLPOOL                1.00/ 25.00 100.00/ 50.00 2(+1)
```

... (output abbreviated)

- (21) Three virtual CPUs are now running on two real CPUs in the standard CPU pool. Time slicing (TS) is automatically used for scheduling.
- (22) The VM2000 administrator assigns the VM group `EXTGROUP` to the CPU pool `EXCLPOOL`. 1 is selected as the new CPU quota of the VM group, i.e. the VM group and the VM `SYSTEM4` are to share the CPU capacity of the CPU pool `EXCLPOOL`. The command is executed when the number of attached virtual CPUs of every VM in the VM group is less than or equal to the number of attached real CPUs in the CPU pool to which the VM group is to be assigned.
- (23) The changes for all VMs compared to the output above become visible in this output.

```

/show-vm-group inf=*all _____ (24)
VM-GROUP CPU-POOL CPU-Q MAX-U
EXTGROUP EXCLPOOL 1.00 40.00

VM-GROUP CPU-POOL VM-ID CPU-Q / EFF-Q MAX-U / EFF-U
EXTGROUP EXCLPOOL 2 SYSTEM2 70.00 / 17.50 100.00 / 40.00
3 SYSTEM3 30.00 / 7.50 20.00 / 20.00
/show-vm-status information=*timer,period=*recent(seconds=300)
/SHOW-VM-STATUS DATA OUTPUT: (PERIOD= 307.707 SEC)
CPU TIMER INFORMATION FOR REAL CPU(S)
CPU-POOL REAL HPV-ACTIVE HPV-IDLE ALL-VMS-ACTIVE
CPU TIME/ % TIME/ % TIME/ %
**STDPOOL 2.342/ 0.38 598.897/97.32 14.175/ 2.30
00 1.277/ 0.42 299.216/97.24 7.214/ 2.34
01 1.065/ 0.35 299.681/97.39 6.961/ 2.26
*EXCLPOOL 0.179/ 0.03 140.206/22.78 475.029/77.19
02 0.088/ 0.03 70.114/22.79 237.505/77.19
03 0.091/ 0.03 70.092/22.78 237.524/77.19

CPU TIMER INFORMATION FOR VM(S)
CPU-POOL
VM-GROUP VIRT CPU-Q CUR-Q CUR-U VM - ACTIVE
VM-ID CPU TIME/ %
**STDPOOL(P) 50.00 50.00 0.292/ 0.02
# 1 MONITOR 20.00 25.00 25.00 0.292/ 0.02
00 0.292/ 0.02
*EXCLPOOL(P) 50.00 50.00 488.993/ 39.72
# 4 SYSTEM4 1.00 25.00 50.00 473.893/ 38.50
00 236.942/ 19.25
01 236.951/ 19.25
# EXTGROUP(G) 1.00 25.00 40.00 15.100/ 1.23
# 2 SYSTEM2 70.00 25.00 40.00 15.100/ 1.23
00 11.799/ 0.95
* 01 3.301/ 0.26
* 02 0.000/ 0.00

```

- (24) The changes become visible with these commands, too.
See also the explanations for (19) and (20).

Note

The CPUs in CPU pool EXCLPOOL are no longer running in the scheduling procedure with a dedicated CPU assignment. The VM-ACTIVE-IDLE= *AT-DEDICATED-CPUS attribute for VM SYSTEM4 consequently also no longer has an effect.

6.2 Reconfiguring Channels, controllers and paths (SU /390)

Hardware units of the channel or controller classes can be reconfigured locally in the monitor system and in the other guest systems. In the monitor system channels and controllers can also be reconfigured globally (i.e. the reconfiguration applies to other guest systems as well).

The BS2000 reconfiguration commands `/ATTACH-DEVICE` and `/DETACH-DEVICE` are used to attach and detach hardware units.

x86 No channels are available on SU x86. X2000 emulates devices with a virtual input/output path.

VMGIORAL system parameter

The system parameter `VMGIORAL=YES/NO` can be set in the startup parameter service (`SYSOPT-CLASS2` parameter set) in any guest system that is not the monitor system. It can also be modified during BS2000 operation by means of the BS2000 command `/MODIFY-SYSTEM-PARAMETERS`.

`VMGIORAL=YES` permits the global detachment of a hardware unit in the monitor system and in the relevant guest system. `VMGIORAL=NO` is specified, global detachment of a hardware unit is only permitted when the hardware unit has already been detached in the guest system.

x86 Global reconfiguration of hardware units is not available on SU x86. The system parameter `VMGIORAL` has no effect there.

The global detachment of a channel by means of `FORCE=*UNCONDITIONAL-OFFLINE` is carried out irrespective of the setting for `VMGIORAL`.

The global attachment of a hardware unit is always carried out irrespective of the setting for `VMGIORAL`.

Paths between hardware units (channel controller, channel device, controller device) can be reconfigured locally in the monitor system and in the other guest systems. In the monitor system the paths can also be reconfigured globally (i.e. the reconfiguration applies to other guest systems as well).

The BS2000 reconfiguration commands `/INCLUDE-DEVICE-CONNECTION` and `/REMOVE-DEVICE-CONNECTION` are used to connect and disconnect paths.

The BS2000 command `/SHOW-DEVICE-CONFIGURATION` displays the status of the hardware units and paths in all guest systems.



The explicit reconfiguration of **devices** is always executed locally in the monitor system and in the guest systems and does not have any effect on other guest systems.

Reconfiguration in the monitor system

When reconfiguring (attaching and detaching or connecting and disconnecting) channels, controllers and paths, BS2000 operators can control whether reconfiguration is to be carried out locally in the monitor system or (globally) in all active guest systems as well.

Global reconfiguration is controlled by means of the `SCOPE` operand in the BS2000 reconfiguration commands (see VM2000-specific syntax as of [page 241](#)):

`SCOPE=*OWN-SYSTEM-ONLY`

Carries out reconfiguration locally in the monitor system.

`SCOPE=*VM2000-GLOBAL`

Carries out reconfiguration (globally) in all active guest systems.

Global detachment and disconnection (`/DETACH-DEVICE` and `/REMOVE-DEVICE-CONNECTION`) can be suppressed or permitted in the guest system by means of the `VMGIORAL` system parameter (see [page 307](#)).

Global detachment or disconnection (`/DETACH-DEVICE` or `/REMOVE-DEVICE-CONNECTION`) for channels (although there is an exception described in *Channel reconfiguration* below), controllers and paths is only executed when **all** the guest systems involved can carry out the order.

When a command is executed, the operator is notified by message `NKR0180` of the number of active guest systems and the number of guest systems that are involved in reconfiguration.

Channel reconfiguration

The disconnection of a channel **at the hardware level** (`offline` status) after its successful detachment in the monitor system (`/DETACH-DEVICE`) is executed by VM2000 depending on the status of the channel in all active guest systems and on the `FORCE` operand. The `SCOPE` operand is irrelevant.

`FORCE=*STD / *YES / *NO(...)`

The channel is only disconnected at the hardware level once all the active guest systems have detached it (locally or in global reconfiguration). If this is the case, the status of the channel changes to `offline`. If not, the operator is informed by message `NKR0082`.

FORCE=*UNCONDITIONAL-OFFLINE

The channel is always disconnected at the hardware level, even if not all of the active guest systems have detached it. The status of the channel changes to `offline`.

A channel whose status is `offline` can no longer be addressed or attached by a guest system.

Moreover, a channel whose status is `offline` is not connected at the hardware level (its status does not change to `online`) until it is attached locally or globally in the VM2000 monitor system.

Reconfiguration in the other guest systems

The reconfiguration of hardware units and paths is always carried out locally in the guest systems and has no effect on other guest systems or the monitor system.



Exception

For a VM with the privilege `IO-RESET=*YES`, VM2000 carries out a reset of the channel at the hardware level if this is requested by the guest system (see [page 142](#)).

If `SCOPE=*VM2000-GLOBAL` is specified, it is rejected in a guest system with message NKR0178.

6.3 Main memory management and reconfiguration

Main memory management under VM2000 includes

- Management of the main memory
- Reconfiguration of the main memory

Data spaces

The addressing mode for extending the virtual address space is offered under VM2000 for all VMs. In addition to the existing address space (max. 2 Gbytes), further address spaces for data (max. 2 Gbytes each), known as “data spaces”, can be created. Further information on data spaces is provided in the “Executive Macros” manual [16].

6.3.1 Managing main memory

390 On SU /390, VM2000 manages the Server Unit’s real main memory.

VM2000 addresses the available main memory starting at 0. This addressing is known as the **absolute addressing of VM2000**. The absolute address 0 of VM2000 thus refers to the start of the main memory available for VM2000 operation.

x86 When a VM is initialized on SU x86, a share of the Server Unit’s main memory is made available to the VM, see [page 36](#).

The guest systems of every VM use addressing which is relative to the start of the main memory which is assigned to them. This addressing is known as the **absolute addressing of the VM**. The absolute address 0 of a VM thus refers to the beginning of the VM's main memory.

i VM2000 manages real main memory and domains of up to 1 Tbyte (terabyte; 1 Tbyte = 1024 Gbytes = 1 048 576 Mbytes).

Accounting for main memory

Main memory usage (`MEMORY-SIZE`) is shown in the VM2000 accounting record for the VM. A VM accounting record is written after a main memory reconfiguration has been completed successfully or when the VM is terminated (see [page 416](#)).

6.3.1.1 Managing main memory on SU /390

Main memory on SU /390 begins on a 1-Mbyte boundary and its size is a multiple of 1 Mbyte.

The main memory of the VM2000 hypervisor is situated at the beginning of the host's absolute main memory.

The main memory size of the VM2000 hypervisor is set by means of the VM2000 parameter `HYPERSOR-SIZE=*BY-SYSTEM / <integer 4..255>` in the startup parameter service (see [page 56](#)). The setting is retained even if the monitor system is restarted.

The VM2000 hypervisor main memory is followed by the main memory of the monitor VM. Its minimum size is 512 Mbytes. The main memory size of the monitor VM is defined in the configuration file for the monitor VM (`/CREATE-VM`, see [page 58](#)).

This is followed by the main memory of the other VMs. The size of the main memory of the VMs is defined when the VM is initialized (see [page 135](#)).



`/CREATE-/MODIFY-VM-DEFINITION` can be used to enter the size of the main memory for a VM in its VM definition. Detailed information can be found in the [section "Working with VM definitions" on page 200](#).

It is recommended that the remaining main memory (without the VM2000 hypervisor and monitor VM) is distributed according to the expected CPU shares of the VMs, analogously to the calculations on [page 288](#). If the recommended main memory configuration is used (is dependent on the model), it is not necessary to make differentiated calculations of the main memory size and main memory distribution.

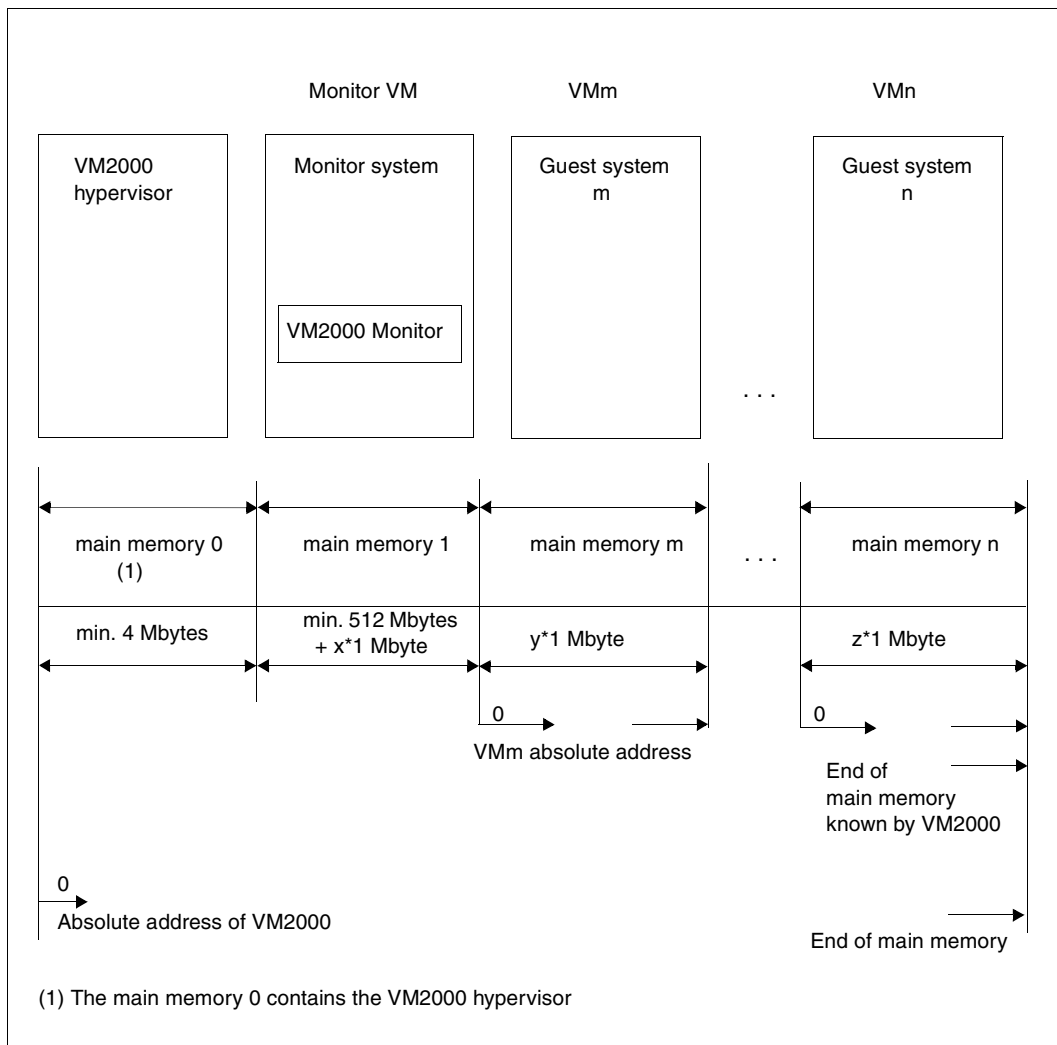


Figure 18: Distribution of main memory (SU /390)

Assigning main memory to a VM

The size of the main memory for the VM and its position in main memory is defined using the `MEMORY-SIZE`, `MIN-MEMORY-SIZE` and `LOCATION` operands when the VM is initialized (see [page 135](#)). If the location is not specified, VM2000 selects a suitable area.



`/CREATE-/MODIFY-VM-DEFINITION` can be used to enter the size of the main memory of a VM in its VM definition. The assignment of main memory in `/ACTIVATE-VM-DEFINITION` then runs as with `/CREATE-VM`. Detailed information can be found in the [section “Working with VM definitions” on page 200](#).

When assigning free main memory space, VM2000 selects an area with the smallest “wastage” according to the specifications when the VM is initialized (see [page 135](#)). If no suitable area can be found, VM2000 rejects the command.

By reinitializing the VM, the VM administrator must then attempt to bring the size and/or location of the main memory into line with the free memory space. He/she can request information on the current distribution of memory space by means of `/SHOW-VM-RESOURCES INFORMATION=*MEMORY`. It may be necessary to create contiguous memory by means of `/MOVE-VM` or `/REDUCE-VM-MEMORY`.

Absolute address decimal (Mbytes)	Main memory	Domain-absolute address decimal (Mbytes)
0	VM2000 hypervisor	
16	Monitor VM	0
528	· · (Free main memory) ·	512
1024	VM2	0
2048	VM3	1024 0
4096		2048

Figure 19: Example: Distribution of main memory of 4 Gbytes among three VMs (SU /390)

6.3.1.2 Managing main memory on SU x86

On SU x86, when a VM is configured it is assigned a share of the main memory which is available in multiples of 2 Mbytes. The main memory of a VM is not contiguous, but scattered.

Consequently the location of a VM in the available main memory need not - as on SU /390 - be characterized with the start address and the size of the main memory.

However, the VM's firmware component emulates a contiguous main memory beginning with the address 0 for the BS2000 guest system.



Information on the distribution of the main memory is provided by `/SHOW-VM-RESOURCES INFORMATION=*MEMORY`.

Assigning main memory to a VM

The size of the main memory for the VM is defined using the `MEMORY-SIZE`, `MIN-MEMORY-SIZE` and `MAX-MEMORY-SIZE` operands when the VM is initialized (see [page 135](#)).



`/CREATE-/MODIFY-VM-DEFINITION` can be used to enter the size of the main memory of a VM in its VM definition. The assignment of main memory in `/ACTIVATE-VM-DEFINITION` then runs as with `/CREATE-VM`. Detailed information can be found in the [section "Working with VM definitions" on page 200](#).

A small amount of the main memory of a VM is required for its firmware component. This is visible in the VM2000 information commands as the difference between `MEM-SIZE` and `BS2-MEM-S`, see for example [page 589](#).

The main memory of a VM should be at least 1024 Mbytes large, see [page 137](#).

In addition to the main memory described above, a VM also requires main memory for management data of the Xen hypervisor. This additional main memory is assigned automatically to a VM. It is not displayed in the VM2000 information commands, but reduces the main memory which is available for VM2000 operation and consequently also the largest possible main memory size for a new VM, see [page 653](#).

The size of the main memory of the monitor VM is defined when VM2000 is installed, see [section "Configuration using the SE Manager \(SU x86\)" on page 62](#). Its minimum size is 1024 Mbytes. The standard size of the monitor VM's main memory is 1024 Mbytes. This is the recommended value when the monitor VM is used only for VM2000 administration.

Releasing main memory

On SU x86 the release of main memory is executed asynchronously and this can take several seconds. The initialization of a new VM can therefore be delayed.

6.3.2 Reconfiguring main memory

Under VM2000, the main memory of a VM and of the guest system can be expanded or reduced by the VM2000 administrator during the current session (dynamic main memory reconfiguration) to allow a flexible reaction to changes in load or types of tasks without interrupting the operation of the system.

Example

Increasing the size of the main memory of a reserve VM for taking over the load of a failed productive system.

Dynamic reconfiguration of main memory requires measures to be taken in the guest system (if it is active), in the VM's firmware component (SU x86) and in VM2000. It can be carried out for the monitor system as well.

The `MEMORY-SIZE` operand is used to dimension the main memory of the VM when the VM is initialized (see [page 135](#)). The `MIN-MEMORY-SIZE` and `MAX-MEMORY-SIZE` (SU x86) operands in the same command can be used to specify the minimum and maximum main memory size if the size of the main memory of the VM is altered at a later time. The VM2000 administrator must ensure that the main memory size is not less than the minimum required for running the guest system (see [page 137](#)).

Main memory reconfiguration is possible at all times for inactive guest systems (with the status `INIT-ONLY` or `DOWN`). In the case of active guest systems (VM state `RUNNING`), main memory reconfiguration is only possible after `SYSTEM READY` for the guest system. Main memory reconfiguration is not possible for VMs in the `IN HOLD (WAIT)` or `...(MIGR)` states.

Any further `/EXTEND-VM-MEMORY` or `/REDUCE-VM-MEMORY` command for the same VM is rejected while a main memory reconfiguration command is being processed. The commands `/SHOW-VM-ATTRIBUTES` and `/SHOW-VM-RESOURCES INFORMATION=*MEMORY/*ALL` provide information on the current, the minimum and the maximum main memory size of the VM and the planned main memory size during main memory reconfiguration.

Since dynamic reconfiguration of main memory requires measures to be taken in the guest system, in the firmware component (SU x86) and in VM2000, the process can be time-consuming. The `/MOVE-VM (SU /390)` and `/START-VM` commands can be executed during this time. The new main memory size of the relevant VM is used in the case of `/EXTEND-VM-MEMORY`, and the old main memory size is used in the case of `/REDUCE-VM-MEMORY`. The same applies when the guest system is restarted.

The dynamic reconfiguration of main memory can be monitored with a monitor job variable (see [page 317](#)). Notification of the end of a reconfiguration request is sent to all VM2000 administrators via the message `VMS4094` (successful) or `VMS4095` (only partially successful or unsuccessful) as an asynchronous message, and to the authorized BS2000 consoles or applications via routing code "9". See also [page 128](#).

Termination of main memory configuration

Main memory configuration is terminated in the following cases:

- SETS or shutdown of the guest system
- Abortion of the guest system with `/RESET-VM`
- Termination of the VM with `/DELETE-VM`
- Restarting of the VM with `/START-VM . . . ,CHECK-VM-STATE=*NO`

In all cases, the VM2000 administrator is notified of termination by message VMS4095. This message is also distributed in the monitor system by means of routing code “9”, see also [page 128](#).

In the case of main memory expansion, an accounting record is written for the VM in all cases.

x86 On SU x86, aborting a main memory reconfiguration with `/START-VM`, `/RESET-VM` or `/DELETE-VM` should be avoided.

Reason: The reconfiguration will only be aborted in BS2000 but continued in the firmware and the carrier system. A BS2000 IPL with `/START-VM` may be delayed until the reconfiguration in the carrier system is complete.

Enlarging main memory

The main memory for a VM can be extended by means `/EXTEND-VM-MEMORY`. At the same time, it is possible to increase the minimum main memory size for the VM.

x86 On SU x86 requesting and assigning main memory are not an atomic actions, but take place in several steps. If an error occurs or maximum wait times are exceeded, the main memory of the VM is enlarged only to the size which had been assigned at the time the error occurred.

On SU x86 a VM's main memory can only be enlarged to the maximum main memory size (`MAX-MEMORY-SIZE`).

When the command is processed, actions are first carried out in VM2000 and in the VM's firmware component (SU x86), and then actions are carried out in the guest system (enlarge main memory in the guest system).

Reducing main memory

By means of `/REDUCE-VM-MEMORY`, the main memory for a VM can be reduced up to its minimum main memory size.

- 390** On SU /390 the new main memory size may be below the `MIN-MEMORY-SIZE` of the VM concerned only if the VM is in the `INIT-ONLY` or `DOWN` status. In this case the value for the VM's `MIN-MEMORY-SIZE` is assigned the value of `NEW-MEMORY-SIZE`.
- x86** On SU x86 the new main memory size may not be below the `MIN-MEMORY-SIZE` of the VM concerned.

When the command is processed, actions are first carried out in the guest system (reduce the main memory in the guest system) and then actions are carried out in VM2000 and in the VM's firmware component (SU x86).

- i** If the main memory of a VM is reduced, the load on the guest system must be reduced accordingly.

Monitoring the reconfiguration of a main memory with job variables (MONJV)

When the reconfiguration of the main memory is initiated by the VM2000 administrator with `/EXTEND-VM-MEMORY` or `/REDUCE-VM-MEMORY`, a monitoring job variable can be defined for this (MONJV).

The location and validity of the MONJV correspond to the runtime environment of the sender of the command. VM2000 manages and updates the MONJV as long as the reconfiguration of the main memory is running. By using appropriate procedures, the VM2000 administration can automatically react to the information stored in the MONJV and thus facilitate VM2000 administration.

For general information on job variables under VM2000, see [page 145](#).

MONJVs can also be used to monitor a VM and during a VM Migration, see [page 145](#) and [page 185](#).

For an example of how to use a MONJV to monitor the reconfiguration of a main memory, see [page 320](#).

Beginning and end of monitoring

The MONJV used to monitor a main memory reconfiguration is created at the start of the main memory reconfiguration with `/EXTEND-VM-MEMORY` or `/REDUCE-VM-MEMORY` by specifying the MONJV operand. The monitoring of the reconfiguration of the main memory starts at this point; the MONJV is supplied with data by VM2000.

If a MONJV already exists with the specified name, a password can be specified in the operand `JV-PASSWORD` to check for access authorization.

The monitoring ends with a normal end or an abort of the reconfiguration of the main memory. Even when the monitoring has finished, the MONJV is retained as a user job variable without MONJV protection.

Protecting the MONJV

See the section with this name on [page 146](#).

Location of the MONJV

See the section with this name on [page 146](#).

Values for the MONJV

A MONJV for a main memory reconfiguration comprises a system part (bytes 1-128) and a user part (bytes 129-256). Specific values are entered by VM2000 in the system part of the MONJV at specific times during the main memory reconfiguration.

Byte	Meaning / possible values
1-3	Monitoring status: <ul style="list-style-type: none"> – \$S_L : Reconfiguration of main memory started (Started) – \$R_L : Reconfiguration of main memory running (Running) – \$T_L : Reconfiguration of main memory successfully terminated (Terminated) – \$AE : Reconfiguration of main memory aborted with errors (e.g. due to cancellation of running reconfiguration of main memory, see page 316) – \$AF : Reconfiguration of main memory could not be initiated
4	Reserved, has the value zero (0)
5-8	TSN of the job, contains spaces
9-12	Catalog ID of the home pubset of the monitor system
13-16	Reserved, contains spaces
17	Type of MONJV: character V (VM2000)
18-20	Current system sequence number (<integer 1..999>)
21-36	Beginning of monitoring (opening the MONJV) in UTC time (format: yyyy-mm-ddhhmmss)
37-70	Reserved
71-78	Name of VM (<name 1..8>, not for status \$S and \$AF)
79-81	Index of VM printable (<name 3..3>, e.g. 002)
82-86	Memory size of VM in Mbytes (<integer 1..32767>, for \$AE) ¹
87-91	Minimum memory size of VM in Mbytes (<integer 1..32767>, for \$AE) ¹
92-96	Memory size used by the guest system in Mbytes (<integer 1..32767>, for \$AE) ¹
97-106	Memory size of VM in Mbytes (<integer 1..1048576>, for \$AE)

Structure of monitoring job variables for reconfiguration of main memory

(part 1 of 2)

Byte	Meaning / possible values
107-116	Minimum memory size of VM in Mbytes (<integer 1..1048576>, for \$AE)
117-126	Memory size used by the guest system in Mbytes (<integer 1..1048576>, for \$AE)
127-128	Reserved
129-256	Reserved for users

Structure of monitoring job variables for reconfiguration of main memory

(part 2 of 2)

¹ Specification of the memory size modulo 100 000. The complete values are output from byte 97 onward.

Displaying the MONJV

See the section with this name on [page 148](#).

Behavior when the system is terminated abnormally in the monitor system

See the section with this name on [page 149](#).

Example

This sample procedure shows how the reconfiguration of a main memory is monitored with MONJV. For an analogous sample procedure using PROP-XT, see [page 130](#).

```

/SET-PROC-OPT
/" ***** "
/" ** PROCEDURE VMMEM FOR GUEST SYSTEMS WITH VM-ID=2 AND 3 ***** "
/" ***** "
/" ** THE PROCEDURE PERFORMS A MEMORY RECONFIGURATION. "
/" ** IMPORTANT STEPS: "
/" ** - CONNECTION TO VM2000 ESTABLISHED "
/" ** - CHECK CURRENT MEMORY SIZE "
/" ** - REDUCE MEMORY OF VM2 "
/" ** - HANDLE ASYNCHRONOUS END VIA MONJV "
/" ** - CHECK CURRENT MEMORY SIZE "
/" ** - EXTEND MEMORY OF VM3 "
/" ** - HANDLE ASYNCHRONOUS END VIA MONJV "
/" ** - DISCONNECTION FROM VM2000 "
/" ***** "
/" ***** "
/DECLARE-VARIABLE NAME=SHVAS(TYPE=STRUCTURE),MULT-E=*LIST
/DECLARE-VARIABLE NAME=MIMEMSI(TYP=INT)
/DECLARE-VARIABLE NAME=TXT(TYPE=STRING,INIT-VALUE='OK')
/DECLARE-VARIABLE NAME=JVRES(TYPE=STRING)
/ASSIGN-SYSLST LST.VMMEM
/MODIFY-JOB-OPTIONS LOG=*PAR(LIST=Y)
/BEGIN-BLOCK
/"** CONNECTION TO VM2000 "
/BEGIN-VM-DIALOG VM-ID=1

```



```

/ " ** CHECK CURRENT MEMORY SIZE "
/ EXEC-CMD (SHOW-VM-ATTR VM-ID=2,INF=*MEMORY),STRUCT-OUT=SHVAS
/ IF (SHVAS#.MIN-MEM-SIZE = '*UNDEF')
/ TXT = 'MEMORY CONFIGURATION CURRENTLY NOT POSSIBLE FOR VM-ID=2'
/ GOTO LABEL=ERROR
/ END-IF
/ MIMEMSI=INT(SHVAS#.MIN-MEM-SIZE)
/ IF (SHVAS#.MEM-SIZE = MIMEMSI)
/ TXT = 'CURRENT MEMORY SIZE IS MINIMUM MEMORY SIZE'
/ GOTO LABEL=ERROR
/ END-IF
/ " ** CHECK MEMORY SIZE OF VM-ID=3 "
/ EXEC-CMD (SHOW-VM-ATTR VM-ID=3,INF=*MEMORY),STRUCT-OUT=SHVAS
/ IF (SHVAS#.MIN-MEM-SIZE = '*UNDEF')
/ TXT = 'MEMORY CONFIGURATION CURRENTLY NOT POSSIBLE FOR VM-ID=3'
/ GOTO LABEL=ERROR
/ END-IF
/ " ** REDUCE MEMORY OF VM-ID=2 "
/ REDUCE-VM-MEMORY VM-ID=2,NEW-MEM-SIZE=*MINIMUM,MONJV=JV.VMMEM.VM02
/ IF-CMD-ERROR
/ TXT = 'ERROR IN REDUCE-VM VM-ID=2'
/ GOTO LABEL=ERROR
/ END-IF
/ " ** SYSTEM MUST WAIT FOR END OF MEMORY CONFIGURATION "
/ WAIT-EVENT *JV(((JV.VMMEM.VM02,1,2) = '$T' OR -
/ (JV.VMMEM.VM02,1,2) = '$A'),TIME-LIM=300)
/ IF-CMD-ERROR
/ TXT = 'ERROR IN WAIT FOR END OF REDUCE-VM VM-ID=2'
/ GOTO LABEL=ERROR
/ END-IF
/ JVRES = JV('JV.VMMEM.VM02')
/ IF (SUBSTRING(JVRES,1,2) = '$A')
/ TXT = 'REDUCE-VM VM-ID=2 TERMINATED ABNORMALLY'
/ GOTO LABEL=ERROR
/ END-IF
/ " ** EXTEND MEMORY OF VM3 ***** "
/ EXTEND-VM-MEMORY VM-ID=3,NEW-MEM-SIZE=*MAXIMUM,MONJV=JV.VMMEM.VM03
/ IF-CMD-ERROR
/ TXT = 'ERROR IN EXTEND-VM VM-ID=3'
/ GOTO LABEL=ERROR
/ END-IF

```

```

/ "*** SYSTEM MUST WAIT FOR END OF MEMORY CONFIGURATION  "
/WAIT-EVENT *JV(((JV.VMMEM.VM03,1,2) = '$T' OR -
/          (JV.VMMEM.VM03,1,2) = '$A'),TIME-LIM=300)
/IF-CMD-ERROR
/  TXT = 'ERROR IN WAIT FOR END OF EXTEND-VM VM-ID=3
/  GOTO LABEL=ERROR
/END-IF
/JVRES = JV('JV.VMMEM.VM03')
/IF (SUBSTRING(JVRES,1,2) = '$A')
/  TXT = 'EXTEND-VM VM-ID=3 TERMINATED ABNORMALLY'
/  GOTO LABEL=ERROR
/END-IF
/ "*** NORMAL END"
/END-BLOCK
/IF-BLOCK-ERROR          "HANDLE OTHER ERRORS"
/  TXT = 'OTHER ERRORS'
/  GOTO LABEL = ERROR
/END-IF
/ERROR:
/IF (TXT <> 'OK')
/  SEND-MSG TO=OPER,MSG='*** ERROR IN VMMEM: &TXT ***'
/END-IF
/END-VM-DIALOG 1          "SHUT DOWN CONNECTION TO VM2000"
/IF-CMD-ERROR; END-IF
/DEL-JV JV.VMMEM.VM02
/IF-CMD-ERROR; END-IF
/DEL-JV JV.VMMEM.VM03
/IF-CMD-ERROR; END-IF
/MOD-JOB-OPTIONS LOG=*PAR(LIST=NO)
/ASSIGN-SYSLST *PRIMARY
/EXIT-PROC

```

6.4 Peripheral device management

The same device peripherals can be operated in native mode and under VM2000. VM2000, the monitor system and all of the guest systems know and manage the same device peripherals.

Information on generating, configuring and determining device peripherals is provided in the [section “Generating and configuring the device peripherals” on page 47](#).

Devices and pubsets

From the set of available devices, VM2000 assigns individual devices or the devices of a pubset to the virtual machines.

The VM2000 administrator obtains detailed information on the device properties and on the assignment of devices to the VMs using `/SHOW-VM-DEVICE-STATUS`. The VM administrator obtains information on the devices of his/her VM using `/SHOW-VM-ATTRIBUTES`.

devices

Detailed information on devices and their management in BS2000 OSD/BC is provided in the “Device management” chapter of the “Introduction to System Administration” [2].

Information on managing individual devices under VM2000 is provided in the [section “Assigning and removing devices of a VM” on page 324](#).

Pubsets

Pubsets (public volume sets) are sets of public disks which, in addition to the private volumes, are the storage locations for files in BS2000. Pubsets contain not only the actual files, but also all the metadata required for file management (e.g. device configuration, file catalog, user catalog). Pubsets are distinguished by their categories (e.g. home, user, shared pubset) and their types (SF and SM pubset).

Detailed information on pubsets and their management in BS2000 OSD/BC is provided in the “Pubset-Management” chapter of the “Introduction to System Administration” [2]. The product HIPLEX MSCF is required for shared pubsets and XCS pubsets, see the “HIPLEX MSCF” manual [10].

In the device management and information commands of VM2000 pubsets can be addressed by means of their catalog ID or their pubset device. VM2000 determines the devices which belong to the pubset and executes the command for all devices of the pubset, see the [section “Assigning and removing pubsets of a VM” on page 343](#). When the pubset devices are assigned to a VM in this way, VM2000 reacts automatically to changes in the pubset configuration, adapting the assignment and usage mode and the attributes of the devices concerned as needed.

The VM2000 administrator can also manage the devices of the pubset individually, e.g. assign them to the VMs. Changes in the pubset configuration must then be entered manually by the VM2000 administrator. This procedure is not very user-friendly, but also possible.

6.4.1 Assigning and removing devices of a VM

Once a VM is initialized, individual peripheral devices can be assigned to it.

This section examines individual devices. Information on pubset devices is provided in the [section “Assigning and removing pubsets of a VM” on page 343](#).

Devices can be **assigned** to the VMs and thus to the guest systems:

- by the VM2000 or VM administrator using `ADMIN-PRIVILEGES=*MAX` (explicit assignment, see [page 325](#))
- by a guest system whose VM has the privilege `ASSIGN-BY-GUEST=*YES` for the relevant assignment set to which the device is assigned (implicit assignment, see [page 326](#))

In the case of explicit device assignment, the VM2000 or VM administrator specifies a VM's set of devices. Implicit device assignment permits guest system operators to provide the required (free) devices themselves without having to call on an administrator. Both types of device assignment can be used in parallel.

The monitor VM must already have been assigned the devices required for the startup before the monitor system is started up.

390 For SU /390 this is implemented in the configuration file for the monitor VM

x86 For SU x86 this is implemented via the SE manager (startup settings for the monitor VM)

Devices can be **released** from the VMs and the guest systems

- by the VM2000 or VM administrator (explicit removal using `/REMOVE-VM-DEVICES` or `/SWITCH-VM-DEVICES`, see [page 326](#))
- by a guest system (implicit release of implicitly assigned devices using the BS2000 command `/DETACH-DEVICE`, see [page 328](#))

device name

Each device is referred to in the VM2000 commands by its **mnemonic device name**, analogously to the BS2000 operating system. The mnemonic device name can be 2-digit (alphanumeric) or 4-digit (hexadecimal).

Access to a device

A guest system cannot access a device until the device is assigned to the VM (implicitly, explicitly, see above) and attached in the guest system (see [page 325](#)).

Accounting for devices

The use of devices is displayed in the VM2000 accounting record for devices (see [page 414](#)).

6.4.1.1 Explicit device assignment and removal

Explicit device assignment

Devices can be assigned explicitly to the VMs and thus the guest systems:

- by the VM2000 administrator, who assigns the required devices to the VMs by using `/ADD-VM-DEVICES` or `/SWITCH-VM-DEVICES` and specifying their mnemonic device names
- by the VM administrator with `ADMIN-PRIVILEGES=*MAX`, who assigns the required devices to his or her VM by using `/ADD-VM-DEVICES` and specifying their mnemonic device names



Devices for a VM can be entered in the VM definition with `/CREATE-/MODIFY-VM-DEFINITION`. Detailed information can be found in the [section “Working with VM definitions” on page 200](#).

When the VM is assigned a device by the **VM2000** administrator, the VM administrator receives an information message about every assigned device.

390 Alias devices (PAV) and CRD devices cannot be assigned explicitly.

After devices are explicitly assigned to the VM, they have to be attached in the guest system either by means of `/ATTACH-DEVICE` in the guest system or at startup of the guest system (for devices that are generated “attached”). The devices cannot be used until they are attached.

Explicit removal of devices

`/REMOVE-VM-DEVICES` and `/SWITCH-VM-DEVICES` explicitly remove devices from the VM. Both implicitly and explicitly assigned devices can be removed. The devices removed from a VM are no longer available in the associated guest system and should be detached there by means of `/DETACH-DEVICE` before being removed.

The inadvertent removal of **all** devices of a VM on which the guest system is still active is prevented by means of the `CHECK-VM-STATE` operand (`UNITS=*ALL(CHECK-VM-STATE=*YES/*NO)`).

The removal of devices that are still attached in the guest system is controlled by the `FORCE` operand. The `WAIT-FOR-UNASSIGN` operand can be used to convert explicit device assignment into implicit device assignment. The device then remains with the VM until it is detached in the guest system.

When the **VM2000** administrator removes a device from the VM, the VM administrator receives an information message about every removed device.



The home pubset and other imported pubsets, paging disks or the last BS2000 console cannot be removed from the monitor VM.



Alias devices (PAV) and CRD devices cannot be explicitly removed.

6.4.1.2 Assignment sets, implicit device assignment and release

Rather than explicit device assignment, which is carried out by the VM2000 or VM administrator, it is also possible for guest system operators to assign devices to the VM themselves (implicitly) provided the prerequisites for the VM and the device specified below are met.

Assignment sets

Assignment sets are groups of devices with the `ASSIGN-BY-GUEST` attribute which, for organizational reasons, are regarded as a unit for implicit device assignment to VMs. VMs can consequently also be separated from each other when devices are assigned implicitly.

Assignment sets are created using `/CREATE-VM-ASSIGNMENT-SET` and are assigned a unique name (`SET-NAME`). The assignment set `*STDSET` is created when VM2000 operation is initialized.

Information on the assignment sets which have been created and the VMs to which they are assigned can be obtained using `/SHOW-VM-ASSIGNMENT-SET`. The devices which are assigned to an assignment set can be ascertained using `/SHOW-VM-DEVICE-STATUS`.

Assignment sets are canceled again using `/DELETE-VM-ASSIGNMENT-SET`. The assignment set `*STDSET` cannot be deleted.

Requirements of the device for implicit device assignment

Each device which is envisaged for implicit assignment to a VM must have the `ASSIGN-BY-GUEST` attribute. Devices are assigned the `ASSIGN-BY-GUEST` attribute using `/MODIFY-VM-DEVICE-ATTRIBUTES` and in the process are assigned precisely to one created assignment set. This command can also be used to assign the `ASSIGN-BY-GUEST` attribute and an assignment set to new devices (dynamic I/O configuration modification, see [page 394](#)).

390 The default value for the `ASSIGN-BY-GUEST` attribute can be set in the VM2000 parameter file in the monitor system (see [page 56](#)).

Information on whether a device has the `ASSIGN-BY-GUEST` attribute and the assignment set to which it is assigned can be obtained using `/SHOW-VM-DEVICE-STATUS`.

The `ASSIGN-BY-GUEST` attribute can be withdrawn from the device again using `/MODIFY-VM-DEVICE-ATTRIBUTES`.

Requirements of the VM for implicit device assignment

Each VM which is to be able to implicitly assign itself devices must have the `ASSIGN-BY-GUEST` privilege for the assignment set to which the required device is assigned. This privilege can be set when the VM is initialized (see [page 135](#)) or with `/MODIFY-VM-ATTRIBUTES`; the assignment sets required are then assigned to the VM.

i Assignment sets for a VM can be entered in the VM definition with `/CREATE-/MODIFY-VM-DEFINITION`. Detailed information can be found in the [section “Working with VM definitions” on page 200](#).

Information on whether a VM has the `ASSIGN-BY-GUEST` privilege and the assignment sets which are assigned to it can be obtained using `/SHOW-VM-ATTRIBUTES/-RESOURCES INFORMATION=*PRIVILEGES`.

`/MODIFY-VM-ATTRIBUTES` enables you to modify the set of assignment sets which is assigned to a VM or to remove the `ASSIGN-BY-GUEST` privilege from the VM.

Using `/SHOW-VM-DEVICE-STATUS SELECT=*PARAMETERS(ASSIGN-BY-GUEST=*YES(SET-NAME=*BY-GUEST(GUEST=<vm-id>)))` (`/SHOW-VM-DEVICE-STATUS GUEST=<vm-id>` for short) you can ascertain the devices which a guest system may assign itself implicitly.

The BS2000 command `/SHOW-DEVICE-CONFIGURATION` provides information on implicit device assignment options in the guest system (see the “Commands” manual [\[13\]](#) and [page 251](#)).

i A BS2000 console, the home pubset and the paging disks activated at startup must be assigned to the VM explicitly before the guest system is started. Implicit device assignment is not available for devices which should already be attached when the guest system starts up.

Implicit device assignment

The BS2000 command `/ATTACH-DEVICE` assigns the affected devices to the VM implicitly. At the same time the command attaches the devices in the guest system. The BS2000 commands `/UNLOCK-DEVICE` and `/SHOW-DEVICE-CONFIGURATION UNIT=*PUBSET-DEVICES` also use implicit device assignment for the duration of command processing.

Usage mode in the case of implicit device assignment:

- Disk devices and CRD devices are assigned for shared use (usage mode `SHARED`). Other devices are assigned for `EXCLUSIVE` use. See [section “Usage mode of a device” on page 330](#).
- Devices that are already assigned exclusively to another VM cannot be assigned implicitly (exception: MTC devices in the `KEEP` state, see [page 328](#)).

Implicit release of devices

The BS2000 command `/DETACH-DEVICE` releases the implicitly assigned devices in the guest system; they are removed from the VM.

The following points are worth noting about the implicit release of devices:

- Devices assigned to a VM implicitly are released at shutdown of the guest system or at `/RESET-VM`, `/DELETE-VM` or `START-VM` (normal IPL) for the relevant VM.
- In the following cases, implicitly assigned disk devices remain with the VM for diagnostic reasons:
 - abnormal system termination in the guest system
 - system shutdown in the guest system with automatic SLED, e.g. in the case of automatic restart and the restart option `DUMP=*SLED`
 - `/START-VM . . . ,DIAGNOSTIC-IPL=*YES` for the VM

Exclusive use is changed to shared use. Other, implicitly assigned devices are released.

- For MTC devices that are connected to a tape library system, the implicit device assignment continues to apply after `/DETACH-DEVICE`. Pending interruptions for this device can then be dealt with in the guest system. A device like this takes on the status `KEEP`.

If `/SHOW-VM-DEVICE-STATUS` is specified, `GUEST(KEEP)` appears for this device in the `ASSIGNED-BY` output column.

Another VM can assign devices with the status `KEEP` implicitly. A device with the status `KEEP` can be released explicitly by means of `/REMOVE-VM-DEVICES` or `/SWITCH-VM-DEVICES . . . ,FORCE=*NO`.

- In the event of an (automatic) restart of the monitor system, the devices assigned implicitly to the monitor VM are released before `SYSTEM READY`. Message `VMS5227 (SU / 390)` resp. message `VMS4009` with Insert BY `IPL (SU x86)` indicate this for each device that is removed.

6.4.1.3 Interplay between implicit and explicit device assignment

If a device is assigned explicitly, this status is not changed when `/ATTACH-DEVICE` or `/DETACH-DEVICE` is used.

A device that is assigned implicitly can subsequently be assigned explicitly by means of `/ADD-VM-DEVICES`. If the device is subsequently detached by means of `/DETACH-DEVICE` in the guest system, this status does not change.

Implicitly assigned devices also be withdrawn explicitly from the VM by the VM2000 or VM administrator by means of `/REMOVE-VM-DEVICES` or `/SWITCH-VM-DEVICES` (see [page 326](#)). After `/SWITCH-VM-DEVICES` the device is assigned explicitly to the new VM.

Explicit assignment of an attached device (attached in the guest system) can be converted to implicit assignment for guest system by means of `/REMOVE-VM-DEVICES . . . , FORCE=*NO(WAIT-FOR-UNASSIGN=*YES)`. Subsequent detachment by means of `/DETACH-DEVICE` in the guest system releases the device.

6.4.1.4 Usage mode of a device

Exclusive use (usage mode EXCLUSIVE)

A device is used exclusively when it is assigned to only one VM and cannot be assigned to any other.

Exclusive use is said to apply in the following cases:

- The device is assigned to the VM explicitly by means of `/ADD-VM-DEVICES` with the operand `TYPE=*NONE/*VC`.
- The device (unless it is a disk device or CRD device) is assigned to the VM implicitly.
- Exclusive use is set with `/MODIFY-VM-DEVICE-USAGE`.
- Shared use of disks of a pubset is converted to exclusive use when they are imported if the disks are assigned implicitly and only to this VM and the pubset is imported exclusively to this VM in the guest system (`/IMPORT-PUBSET . . . ,USAGE=*EXCLUSIVE`).
- An alias device is used exclusively if its base device is used exclusively (see [page 382](#)).

`/MODIFY-VM-DEVICE-USAGE USAGE=*SHARED` can be used to set shared use for a device that is being used exclusively by a VM, provided it is the kind of device for which shared use is possible (e.g. a disk device).

Inputs/outputs for exclusively assigned devices take place between the guest system and the device directly.

Shared use (usage mode SHARED)

Shared use describes the situation where a device is assigned to at least one VM and can be assigned to other VMs (see also the [section “Shared disk devices” on page 374](#)).

Shared use is said to apply in the following cases:

- The device is assigned to the VM explicitly by means of `/ADD-VM-DEVICES` with the operand `TYPE=*SD`.
- The disk device or CRD device is assigned to the VM implicitly.
- Shared use is set with `/MODIFY-VM-DEVICE-USAGE`.
- When a pubset which is used exclusively is exported (`/EXPORT-PUBSET`), exclusive use of the disks of the pubset is converted to shared use if the disks are assigned to the VM implicitly (reversal of the procedure for `/IMPORT-PUBSET . . . ,USAGE=*EXCLUSIVE`).
- An alias device is shared if its base device is also shared (see [page 382](#)).

A device that is assigned to a VM for shared use can be assigned to the VM exclusively by means of `/MODIFY-VM-DEVICE-USAGE USAGE=*EXCLUSIVE`, provided it is not already assigned to any other VMs.

The usage mode (`SHARED`) cannot be modified for CRD devices.



The usage mode of a device entered for the VM in its VM definition cannot be modified with `/MODIFY-VM-DEFINITION`. Detailed information can be found in the [section “Working with VM definitions” on page 200](#).

Input/output handling for shared devices

The handling of inputs/outputs for shared devices depends on the number of VMs to which the device is assigned:

Direct I/O

If the device is assigned to only one VM, the inputs/outputs take place between the guest system and the device directly.

x86 On SU x86 these inputs/outputs are handled by X2000. There is no hypervisor overhead.

In the information commands of VM2000, shared devices with direct I/O are identified as such by `SH(D)`.

Indirect I/O

If the device is assigned to a number of VMs, the inputs/outputs for the shared device are coordinated.

390 On SU /390 these inputs/outputs are coordinated by the VM2000 hypervisor. The VM2000 hypervisor also receives the asynchronous input/output results and delivers these to the VM concerned.

x86 On SU x86 these inputs/outputs are coordinated by X2000. There is no hypervisor overhead.

In the information commands of VM2000, shared devices with indirect I/O are identified as such by `SH(I)` for the usage mode.

6.4.1.5 Example of peripheral device management

This example, which consists of several parts, illustrates the different types of device assignment and release and how the usage mode changes when VM2000 and a guest system are used together.

Guest system operations are marked with “***”.

Asynchronous messages are marked with %.

Explicit device assignment

```

/ create-vm memory-size=128,vm-name=system2,cpu-quota=30 _____ (1)
VMS3050 VIRTUAL MACHINE (2,SYSTEM2) CREATED
VMS4615 VIRTUAL MACHINE (2,SYSTEM2) ASSIGNED TO CPU POOL '*STDPPOOL'
/ add-vm-devices (ch,ci,fc1a,fc1b),vm-id=system2 _____ (2)
VMS4005 DEVICE 'CH' ASSIGNED TO VIRTUAL MACHINE (2,SYSTEM2)
VMS4005 DEVICE 'CI' ASSIGNED TO VIRTUAL MACHINE (2,SYSTEM2)
VMS4005 DEVICE 'FC1A' ASSIGNED TO VIRTUAL MACHINE (2,SYSTEM2)
VMS4005 DEVICE 'FC1B' ASSIGNED TO VIRTUAL MACHINE (2,SYSTEM2)
/ start-vm ipl-unit=fc1a,vm-id=system2 _____ (3)
***
*** System initialization of the guest system on VM2
***
% VMS2050 GUEST SYSTEM ON VM (2,SYSTEM2) READY _____ (4)

```

- (1) The VM2000 administrator creates a VM.
- (2) The VM2000 administrator explicitly assigns the KVP device pair and the devices of the home pubset to VM2. These devices are required by VM2 for startup and therefore cannot be assigned implicitly.
- (3) VM2 is started.
- (4) The guest system on the VM2 has reached SYSTEM READY.

Implicit device assignment

```

/create-vm-assignment-set set-name=sys2impl _____ (5)
VMS4201 ASSIGNMENT SET 'SYS2IMPL' CREATED
/modify-vm-attributes vm-id=system2,
    privileges=*par(assign-by-guest=*yes(set-name=sys2impl)) ____ (6)
/show-vm-device-status units=(CC42,CC43,990f,FC1C,FC1D) _____ (7)
UNIT DEV-TYPE PAV S ASSIGN-SET USAGE VM-ID/(#VM) ASSIGNED-BY
CC42 HNC
CC43 HNC
990F D3435 SH(D) 1 MONITOR VM-ADMIN _____ (8)
FC1C D3435
FC1D D3435
/modify-vm-device-attributes units=(CC42,CC43,990f,fc1c,fc1d),
    assign-by-guest=*yes(set-name=sys2impl) ____ (9)
/show-vm-device-status select=*par(assign-by-guest=*yes(set-name=sys2impl))
UNIT DEV-TYPE PAV S ASSIGN-SET USAGE VM-ID/(#VM) ASSIGNED-BY _____ (10)
CC42 HNC SYS2IMPL
CC43 HNC SYS2IMPL
990F D3435 SYS2IMPL SH(D) 1 MONITOR VM-ADMIN
FC1C D3435 SYS2IMPL
FC1D D3435 SYS2IMPL

```

- (5) The assignment set `SYS2IMPL` is created.
- (6) The VM2000 administrator assigns VM2 the `ASSIGN-BY-GUEST` privilege for the devices in assignment set `SYS2IMPL`. This enables the guest system operator to implicitly assign free devices to the VM (and also to release them again). This privilege could also have been assigned to the VM with `/CREATE-VM` provided the assignment set `SYS2IMPL` already exists at this time.
- (7) The VM2000 administrator wants to make some devices available to VM2 and uses the VM2000 administrator command to obtain information about the status of the devices first.
- (8) All the relevant devices are free. Disk device `990F` has already been assigned explicitly to the monitor VM for shared use with other VMs (`VM-ADMIN`) and therefore has the usage mode `SH(D)` (`SHARED` with direct I/O).
- (9) Implicit device assignment is to be permitted for the devices. The VM2000 administrator therefore assigns the `ASSIGN-BY-GUEST` attribute to the relevant devices and assigns them to the assignment set `SYS2IMPL`.
- (10) All the devices concerned now have the `ASSIGN-BY-GUEST` attribute and are assigned to assignment set `SYS2IMPL`.

```

/show-vm-assignment-set set-name=sys2impl _____ (11)
ASSIGNMENT-SET #DEVICES VM-ID
SYS2IMPL      5      2 SYSTEM2
***
*** Guest system operation on VM2:
*** /attach-device unit=(CC42,CC43,990f,fc1c,fc1d) _____ (12)
*** NKR0042 'DEVICE      =CC42': ATTACH ACCEPTED
*** NKR0042 'DEVICE      =CC43': ATTACH ACCEPTED
*** NKR0042 'DEVICE      =990F': ATTACH ACCEPTED
*** NKR0042 'DEVICE      =FC1C': ATTACH ACCEPTED
*** NKR0042 'DEVICE      =FC1D': ATTACH ACCEPTED
*** NKR0040 'DEVICE      =CC42' ATTACHED
*** NKR0040 'DEVICE      =CC43' ATTACHED
*** NKR0040 'DEVICE      =FC1C' ATTACHED
*** NKR0040 'DEVICE      =990F' ATTACHED
*** NKR0040 'DEVICE      =FC1D' ATTACHED
*** NKVD010 DISK '4IVL.0' MOUNTED ON DEVICE 'FC1C' _____ (13)
*** NKVD010 DISK 'W0990F' MOUNTED ON DEVICE '990F'
*** NKVD010 DISK '4IVL.1' MOUNTED ON DEVICE 'FC1D'
*** NBR0740 COMMAND COMPLETED 'ATTACH-DEVICE';
***          (RESULT: SC2=000, SC1=000, MC=CMD0001); DATE: <date>
***
% VMS4005 DEVICE '990F' ASSIGNED TO VIRTUAL MACHINE (2,SYSTEM2)
          (BY GUEST) _____ (14)
% VMS4005 DEVICE 'CC42' ASSIGNED TO VIRTUAL MACHINE (2,SYSTEM2) (BY GUEST)
% VMS4005 DEVICE 'CC43' ASSIGNED TO VIRTUAL MACHINE (2,SYSTEM2) (BY GUEST)
% VMS4005 DEVICE 'FC1C' ASSIGNED TO VIRTUAL MACHINE (2,SYSTEM2) (BY GUEST)
% VMS4005 DEVICE 'FC1D' ASSIGNED TO VIRTUAL MACHINE (2,SYSTEM2) (BY GUEST)

```

- (11) The information output for the assignment set shows the related summary.
- (12) The guest system operator uses the BS2000 command /ATTACH-DEVICE to attach the disk and communication devices. These devices are assigned to VM2 implicitly here.
- (13) Disks are detected in the guest system on the attached devices.
- (14) The VM and VM2000 administrators are notified about the implicit device assignment to VM2 by asynchronous messages.

```

/show-vm-device-status units=*std,information=*all,
                        select=*par(assign-by-guest=*yes(set-name=sys2impl)) — (15)
UNIT DEV-TYPE PAV   S ASSIGN-SET  USAGE VM-ID/(#VM) ASSIGNED-BY
CC42 HNC                SYS2IMPL  EXCL  2 SYSTEM2  GUEST _____ (16)
CC43 HNC                SYS2IMPL  EXCL  2 SYSTEM2  GUEST
990F D3435              SYS2IMPL  SH(I)  ( 2)      MIXED_____ (17)
                                1 MONITOR  VM-ADMIN
                                2 SYSTEM2  GUEST
FC1C D3435              SYS2IMPL  SH(D)  2 SYSTEM2  GUEST _____ (18)
FC1D D3435              SYS2IMPL  SH(D)  2 SYSTEM2  GUEST
/show-vm-attributes information=*all,vm-id=system2 _____ (19)
VM-ID      VM-GROUP(G) CPU-Q    MAX-U  PROC   MEM-SIZE  MAX-I/O
 2 SYSTEM2 *STDPOOL(P) 30.00  100.00 1(+1)    128  (100)

VM-ID      STATE                VERSION PER ADMIN PRIV
 2 SYSTEM2 RUNNING                V10.0A NO  NO   AG,AS

VM-ID      CPU-POOL  GR-CPU-Q  CPU-Q/  EFF-Q  MAX-U/  EFF-U  PROC
 2 SYSTEM2 *STDPOOL                30.00/ 25.00 100.00/ 25.00 1(+1)

VM-ID      SCHED ACT-I  VIRT CPUS
 2 SYSTEM2 DC    NO    00(RUN),01(SLEEP)

VM-ID      VM-MONJV
 2 SYSTEM2 NO VM-MONJV ASSIGNED

```

(Output continued on the next page)

- (15) The VM2000 administrator obtains detailed information on the status of the devices. If `INFORMATION=*ALL` is specified for a device which is assigned to multiple VMs for shared use, all of the VMs are output.
- (16) Devices which are not disk devices or CRD devices are assigned to the usage mode `EXCLUSIVE` in the event of implicit device assignment.
- (17) Disk device `990F` is assigned to the monitor VM explicitly and to VM2 implicitly. The usage mode is therefore `SH(I)` (`SHARED` with indirect I/O).
- (18) In the case of implicit device assignment, the disk devices are assigned in the usage mode `SHARED`. Input/output takes place by means of direct I/O because the devices are initially assigned to only one VM.
- (19) This command provides a VM administrator with information on his or her VM.

```

VM-ID          UNITS _____ (20)
  2 SYSTEM2    ASSIGNED BY VM-ADMIN
                EXCL:  CH,CI,FC1A,FC1B
                ASSIGNED BY GUEST
                EXCL:  CC42,CC43
                SHARED: 990F,FC1C,FC1D
...
VM-ID          PRIV  DETAILS
  2 SYSTEM2    AG    SYS2IMPL _____ (21)
                AS
*** Guest system operation on VM2:
*** /import-pubset pubset=4ivl,use=*exclusive _____ (22)
*** DMS035B IMPORT PUBSET TASK WITH TSN 'XAAS' FOR PUBSET WITH PUBSET ID
***          '4IVL' HAS BEEN CREATED AND STARTED
*** SRM5017 USER GROUP MANAGEMENT ON PUBSET '4IVL'INITIALIZED WITH '1'
***          USER GROUP(S)
*** PRO6000 GUARDS CATALOG ':4IVL:$TSOS.SYSCAT.GUARDS' OPENED
*** DMS03E0: SCA (SPEEDCAT) VERSION V19.0A00 RUNNING FOR CATALOG-ID 4IVL
*** DMS03E1: SCA RUNNING FOR CATALOG-ID 4IVL.
***          STATUS OF CATALOG: 00 002664 FILE ENTRIES AND
***          00000002 JOB VARIABLES IN 00000288 CATALOG BLOCKS
*** DMS038F IMPORT PUBSET PROCESSING COMPLETED .
***          PUBSET WITH PUBSET ID '4IVL' IN 'LOCAL-IMPORTED' STATE
*** NBR0740 COMMAND COMPLETED 'IMPORT-PUBSET';
***          (RESULT: SC2=000, SC1=000, MC=DMS038F); DATE: <date>
*** /show-device-configuration unit=(fc1c,fc1d),information=*vm2000 _____ (23)
*** MNEM UN-CLASS UN-TYPE  CONF-STATE  VM-ASSIGN  VM-USAGE _____ (24)
*** FC1C DVC      D3435    ATTACHED   BY-GUEST   EXCL _____ (25)
*** FC1D DVC      D3435    ATTACHED   BY-GUEST   EXCL
*** NBR0740 COMMAND COMPLETED 'SHOW-DEVICE-CONFIGURATION'; (RESULT:
***          SC2=000, SC1=000, MC=CMD0001); DATE: <date>

```

- (20) The type of device assignment (BY VM-ADMIN, BY GUEST) and the usage mode (EXCL, SHARED) are displayed for VM2.
- (21) The ASSIGN-BY-GUEST privilege for the VM and the assignment set assigned are displayed.
- (22) In the guest system, pubset 4IVL is imported in exclusive access mode. The pubset consists of the disk devices FC1C and FC1D.
- (23) The guest system operator obtains information on the VM2000 status of the implicitly assigned disk devices of his or her guest system.
- (24) The output columns VM-ASSIGN and VM-USAGE also inform the guest system operator about the type of assignment and usage.
- (25) For the disk devices FC1C and FC1D, the exclusive importing of the pubset has changed the usage mode from SHARED to EXCLUSIVE.

Changing the usage mode

```

/show-vm-device-status units=*std,information=*all,
                        select=*par(state=*assigned(vm-id=system2)) —— (26)
UNIT DEV-TYPE PAV   S ASSIGN-SET  USAGE VM-ID/(#VM) ASSIGNED-BY
CH   SKP2
CI   SKP2
CC42 HNC           SYS2IMPL  EXCL  2 SYSTEM2  GUEST
CC43 HNC           SYS2IMPL  EXCL  2 SYSTEM2  GUEST
990F D3435        SYS2IMPL  SH(I)  ( 2)  MIXED
                                1 MONITOR  VM-ADMIN
                                2 SYSTEM2  GUEST
FC1A D3435
FC1B D3435        EXCL  2 SYSTEM2  VM-ADMIN
FC1C D3435        SYS2IMPL  EXCL  2 SYSTEM2  GUEST ————— (27)
FC1D D3435        SYS2IMPL  EXCL  2 SYSTEM2  GUEST
/show-vm-device-usage units=(fc1c,fc1d),vm-id=system2,usage=*shared — (28)
/show-vm-device-status units=(fc1c,fc1d)
UNIT DEV-TYPE PAV   S ASSIGN-SET  USAGE VM-ID/(#VM) ASSIGNED-BY
FC1C D3435        SYS2IMPL  SH(D)  2 SYSTEM2  GUEST ————— (29)
FC1D D3435        SYS2IMPL  SH(D)  2 SYSTEM2  GUEST

```

- (26) The VM2000 administrator obtains detailed information on the status of the devices assigned to VM2.
- (27) For the disk devices, the exclusive importing of the pubset has changed the usage mode from SHARED to EXCLUSIVE, see (25).
- (28) The VM2000 administrator nevertheless wants to set the usage mode SHARED for these disk devices again.
- (29) In spite of the exclusive use of the pubset, SHARED usage is set again in the guest system.

Implicit device release

```

***
*** Guest system operation on VM2:
*** /export-pubset pubset=4ivl _____ (30)
*** DMS035D EXPORT-PUBSET TASK WITH TSN 'XAAV' FOR PUBSET WITH PUBSET ID
*** '4IVL' HAS BEEN CREATED AND STARTED
*** PRO6005 GUARDS CATALOG ':4IVL:$TSOS.SYSCAT.GUARDS' CLOSED
*** DMS03E2 NORMAL TERMINATION OF SCA (CATALOG ID '4IVL')
*** DMS037F EXPORT-PUBSET PROCESSING COMPLETED FOR PUBSET '4IVL'
*** NBR0740 COMMAND COMPLETED 'EXPORT-PUBSET';
*** (RESULT: SC2=000, SC1=000, MC=DMS037F); DATE: <date>
*** /detach-device unit=(fc1c,fc1d) _____ (31)
*** NKRO092 'DEVICE =FC1C': /DETACH-DEVICE PENDING ACCEPTED
*** NKRO092 'DEVICE =FC1D': /DETACH-DEVICE PENDING ACCEPTED
*** NKRO045 *** 'DEVICE =FC1C' DETACHED ***
*** NKRO045 *** 'DEVICE =FC1D' DETACHED ***
*** NBR0740 COMMAND COMPLETED 'DETACH-DEVICE';
*** (RESULT: SC2=000, SC1=000, MC=CMD0001); DATE: <date>
***
% VMS4009 DEVICE 'FC1C' REMOVED FROM VIRTUAL MACHINE (2,SYSTEM2)
(BY GUEST) _____ (32)
% VMS4009 DEVICE 'FC1D' REMOVED FROM VIRTUAL MACHINE (2,SYSTEM2) (BY GUEST)
/show-vm-device-status units=(fc1c,fc1d),information=*all
UNIT DEV-TYPE PAV S ASSIGN-SET USAGE VM-ID/(#VM) ASSIGNED-BY
FC1C D3435 SYS2IMPL _____ (33)
FC1D D3435 SYS2IMPL

```

- (30) Pubset 4IVL is exported in the guest system.
- (31) The pubset device(s) are detached in the guest system and consequently removed from the VM.
- (32) VM and VM2000 administrators are informed of the implicit device release by asynchronous messages.
- (33) The devices have their original status again.

Converting from explicit to implicit device assignment

```
/add-vm-devices units=(fc1c,fc1d),vm-id=system2 _____ (34)
```

```
VMS4005 DEVICE 'FC1C' ASSIGNED TO VIRTUAL MACHINE (2,SYSTEM2)
```

```
VMS4005 DEVICE 'FC1D' ASSIGNED TO VIRTUAL MACHINE (2,SYSTEM2)
```

```
/show-vm-device-status units=(fc1c,fc1d),information=*std
```

```
UNIT DEV-TYPE PAV S ASSIGN-SET USAGE VM-ID/(#VM) ASSIGNED-BY _____ (35)
```

```
FC1C D3435 SYS2IMPL EXCL 2 SYSTEM2 VM-ADMIN
```

```
FC1D D3435 SYS2IMPL EXCL 2 SYSTEM2 VM-ADMIN
```

```
***
```

```
*** Guest system operation on VM2:
```

```
*** /attach-device unit=(fc1c,fc1d) _____ (36)
```

```
*** NKRO042 'DEVICE =FC1C': ATTACH ACCEPTED
```

```
*** NKRO042 'DEVICE =FC1D': ATTACH ACCEPTED
```

```
*** NKRO040 'DEVICE =FC1C' ATTACHED
```

```
*** NKRO040 'DEVICE =FC1D' ATTACHED
```

```
*** NKVD010 DISK '4IVL.0' MOUNTED ON DEVICE 'FC1C'
```

```
*** NKVD010 DISK '4IVL.1' MOUNTED ON DEVICE 'FC1D'
```

```
*** NBR0740 COMMAND COMPLETED 'ATTACH-DEVICE';
```

```
*** (RESULT: SC2=000, SC1=000, MC=CMD0001); DATE: <date>
```

```
***
```

```
/remove-vm-devices units=(fc1c,fc1d),vm-id=system2 _____ (37)
```

```
VMS4085 DEVICE 'FC1C' STILL ATTACHED IN GUEST SYSTEM. DEVICE NOT REMOVED
```

```
VMS4085 DEVICE 'FC1D' STILL ATTACHED IN GUEST SYSTEM. DEVICE NOT REMOVED
```

```
/remove-vm-devices units=(fc1c,fc1d),vm-id=system2,
```

```
force=*no(wait-for-unassign=*yes) _____ (38)
```

```
VMS4087 DEVICE 'FC1C' REMAINS ASSIGNED TO VM (2,SYSTEM2) UNTIL DETACH IN  
IN GUEST SYSTEM HAS BEEN DONE
```

```
VMS4087 DEVICE 'FC1D' REMAINS ASSIGNED TO VM (2,SYSTEM2) UNTIL DETACH IN  
IN GUEST SYSTEM HAS BEEN DONE
```

- (34) The VM2000 administrator assigns the pubset devices explicitly and exclusively to VM2.
- (35) The output of /SHOW-VM-DEVICE-STATUS indicates this.
- (36) The devices are attached in the guest system.
- (37) The VM2000 administrator cannot remove the devices because they are still attached in the guest system.
- (38) By means of the **FORCE=*NO(WAIT-FOR-UNASSIGN=*YES)** operand the VM2000 administrator changes explicit assignment to implicit assignment (**FORCE=*YES** should only be used in exceptional cases).

```

/show-vm-device-status units=(fc1c,fc1d),information=*std
UNIT DEV-TYPE PAV   S ASSIGN-SET  USAGE VM-ID/(#VM) ASSIGNED-BY  _____ (39)
FC1C D3435                SYS2IMPL   SH(D)  2 SYSTEM2  GUEST
FC1D D3435                SYS2IMPL   SH(D)  2 SYSTEM2  GUEST
***
*** Guest system operation on VM2:
*** /detach-device unit=(fc1c,fc1d) _____ (40)
*** % NKR0092 'DEVICE      =FC1C': /DETACH-DEVICE PENDING ACCEPTED
*** % NKR0092 'DEVICE      =FC1D': /DETACH-DEVICE PENDING ACCEPTED
*** % NKR0045 *** 'DEVICE      =FC1C' DETACHED ***
*** % NKR0045 *** 'DEVICE      =FC1D' DETACHED ***
*** NBRO740 COMMAND COMPLETED 'DETACH-DEVICE';
***          (RESULT: SC2=000, SC1=000, MC=CMD0001); DATE: <date>
***
% VMS4009 DEVICE 'FC1C' REMOVED FROM VIRTUAL MACHINE (2,SYSTEM2)
          (BY GUEST) _____ (41)
% VMS4009 DEVICE 'FC1D' REMOVED FROM VIRTUAL MACHINE (2,SYSTEM2) (BY GUEST)
/show-vm-device-status units=(fc1c,fc1d),information=*std
UNIT DEV-TYPE PAV   S ASSIGN-SET  USAGE VM-ID/(#VM) ASSIGNED-BY  _____ (42)
FC1C D3435                SYS2IMPL
FC1D D3435                SYS2IMPL

```

- (39) The output of /SHOW-VM-DEVICE-STATUS indicates that the devices are now assigned implicitly to the VM. At the same time, the usage mode has also changed (SH(D)), see also (18).
- (40) The devices are detached in the guest system and consequently implicitly released.
- (41) VM and VM2000 administrators are informed of the implicit device release by asynchronous messages.
- (42) The devices are once again free.

Implicit device release at shutdown

```

/shutdown-vm vm-id=system2,action=*shutdown(quiet-time=0) _____ (43)
VMS2054 SHUTDOWN OF GUEST SYSTEM ON VM (2,SYSTEM2) INITIATED
% VMS2037 NON-INTERRUPTIBLE WAIT STATE FOR VIRTUAL MACHINE (2,SYSTEM2),
    CODE 80FFFFFF, CPU 01
% VMS2033 'EXC0557 SHUTDOWN PROCESSING COMPLETED' FROM VM (2,SYSTEM2)
    VIA SVP
% VMS2051 GUEST SYSTEM ON VM (2,SYSTEM2) DOWN; REASON: SHUTDOWN
% VMS2037 NON-INTERRUPTIBLE WAIT STATE FOR VIRTUAL MACHINE (2,SYSTEM2),
    CODE 80FFFFFF, CPU 00
% VMS4009 DEVICE 'CC42' REMOVED FROM VIRTUAL MACHINE (2,SYSTEM2) _____ (44)
% VMS4009 DEVICE 'CC43' REMOVED FROM VIRTUAL MACHINE (2,SYSTEM2)
% VMS4009 DEVICE '990F' REMOVED FROM VIRTUAL MACHINE (2,SYSTEM2)

```

```

/show-vm-attributes vm-id=system2,information=*all
    CPU-POOL(P)
VM-ID      VM-GROUP(G)  CPU-Q    MAX-U    PROC    MEM-SIZE  MAX-IO
  2 SYSTEM2 *STDPOOL(P) 30.00   100.00   1(+1)           128   (100)

```

```

VM-ID      STATE          VERSION PER ADMIN PRIV
  2 SYSTEM2 DOWN          V10.0A  NO  NO   AG,AS _____ (45)

```

```

VM-ID      CPU-POOL  GR-CPU-Q  CPU-Q/  EFF-Q  MAX-U/  EFF-U  PROC
  2 SYSTEM2 *STDPOOL           30.00/ 25.00 100.00/ 25.00 1(+1)

```

```

VM-ID      SCHED ACT-I  VIRT CPUS
  2 SYSTEM2 TS      NO    00(IDLE),01(IDLE)

```

```

VM-ID      VM-MONJV
  2 SYSTEM2 NO VM-MONJV ASSIGNED

```

```

VM-ID      UNITS
  2 SYSTEM2 ASSIGNED BY VM-ADMIN
    EXCL:   CH,CI,FC1A,FC1B _____ (46)

```

...

- (43) The VM2000 administrator initiates the shutdown in the guest system.
- (44) The implicitly assigned devices of VM2 are released (asynchronous messages to the VM and VM2000 administrators).
- (45) The concluding information command shows that the guest system on VM2 is no longer active.
- (46) Only the explicitly assigned devices are still with VM2.

Explicit device release upon termination of the VM

```

/delete-vm vm-id=system2 _____ (47)
VMS4009 DEVICE 'CH' REMOVED FROM VIRTUAL MACHINE (2,SYSTEM2)
VMS4009 DEVICE 'CI' REMOVED FROM VIRTUAL MACHINE (2,SYSTEM2)
VMS4009 DEVICE 'FC1A' REMOVED FROM VIRTUAL MACHINE (2,SYSTEM2)
VMS4009 DEVICE 'FC1B' REMOVED FROM VIRTUAL MACHINE (2,SYSTEM2)
VMS4619 VIRTUAL MACHINE (2,SYSTEM2) REMOVED FROM CPU POOL '*STDPOOL'
VMS4024 VIRTUAL MACHINE (2,SYSTEM2) TERMINATED
/show-vm-assignment-set set-name=sys2impl _____ (48)
ASSIGNMENT-SET #DEVICES VM-ID
SYS2IMPL      5      NONE
/modify-vm-device-attributes units=*by-assignment-set(set-name=sys2impl),
                           assign-by-guest=*no _____ (49)
/show-vm-assignment-set set-name=sys2impl _____ (50)
ASSIGNMENT-SET #DEVICES VM-ID
SYS2IMPL      0      NONE
/delete-assignment-set set-name=sys2impl _____ (51)
VMS4205 ASSIGNMENT SET 'SYS2IMPL' DELETED
/show-vm-assignment-set _____ (52)
ASSIGNMENT-SET #DEVICES VM-ID
*STDSET      0      NONE

```

- (47) VM2 is terminated. The explicitly assigned devices are removed.
- (48) Assignment set SYS2IMPL is no longer assigned to a VM, but it still contains 5 devices.
- (49) Implicit device assignment is no longer to be permitted for the devices in assignment set SYS2IMPL.
- (50) Assignment set SYS2IMPL now no longer contains devices; it can be deleted.
- (51) Assignment set SYS2IMPL is deleted.
- (52) Only the assignment set *STDSET still exists.

6.4.2 Assigning and removing pubsets of a VM

In the device management and information commands of VM2000, pubsets can be addressed by means of their catalog ID (cat-id, identical to the pubset name) or their pubres device.

The operand below determines the pubset in all the VM2000 commands concerned:

```
UNITS = *PUBSET-DEVICES(PUBSET = <cat-id 1..4> /
    *BY-PUBRES-DEVICE(UNIT = <alphanum-name 2..2> / <x-text 4..4> )
```

This operand corresponds to the operand which is used in the BS2000 configuration commands, see the [section “VM2000 in the guest systems” on page 238](#).

VM2000 determines the devices which belong to the pubset and executes the command for all the devices of the pubset. This makes device management simpler because the individual devices of a pubset no longer need to be determined and assigned or removed individually.

In the context of VM2000 device management, the term “pubset” is used for short in this manual when referring to the devices of a pubset. When necessary, the term “pubset devices” is used.



Volume sets **cannot** be addressed in this way using VM2000 commands. Volume sets which, for example, do not currently belong to an SM pubset must be addressed by means of their devices’ mnemonic device names.

The VM2000 administrator can also manage the pubset devices individually. However, individually assigned devices are **not** recognized as a pubset by VM2000 and the adjustments by VM2000 in the case of or after a pubset reconfiguration (see [page 353](#)) are then not available.

Pubres device (system disk of a pubset)

In BS2000 the pubres device is the disk device containing the metadata of an SF pubset. For simplicity’s sake, in VM2000 device management a “pubres device” is also understood as the volres device of the control volume set in an SM pubset.

In VM2000 device management the pubres device can assume the `PUBRES-FOR-ASSIGNMENT` (see [page 345](#)) and `PUBRES-FOR-ATTRIBUTES` (see [page 346](#)) attributes.

Devices of a pubset

VM2000 determines the pubset devices from the pubset's metadata.

When the pubset is addressed by way of its catalog ID, the pubset and its pubres device must also be entered in the monitor system's MRS catalog.

In order to determine the pubset devices, VM2000 briefly assigns the pubres device of an SF pubset or all volres devices of an SM pubset to the monitor VM. VM2000 then attaches these devices (`/ATTACH-DEVICE`) in order to read the list of pubset devices which is stored in its SVL (Standard Volume Label).

Access to a pubset

Access to a pubset by a guest system is only possible after the corresponding assignment of pubset devices to the VM, after the pubset devices have been attached, and after the pubset in the guest system has been imported.

Home pubset

390 On SU /390, the devices of the home pubset are automatically assigned explicitly to the monitor VM at startup of the monitor system.

x86 On SU x86, the devices of the home pubset must be assigned explicitly via the SE manager before the monitor system is started up, see [page 62](#).

The devices of the home pubset cannot be removed from the monitor VM.

Its home set must be assigned explicitly and exclusively to another VM before the guest system is started.

Accounting for pubsets

The use of pubsets is displayed implicitly via the use of the pubset devices in the VM2000 accounting record for devices (see [page 414](#)).

6.4.2.1 Explicit pubset assignment and removal

After a VM has been initialized, this VM can easily be assigned the devices of a pubset (pubset for short) using `/ADD-VM-DEVICES` or `/SWITCH-VM-DEVICES` with the `*PUBSET-DEVICES(...)` operand.

Explicit pubset assignment

Pubsets can be assigned explicitly to the VMs and thus to the guest systems

- by the VM2000 administrator, who assigns the required pubset devices to the VMs by specifying the catalog ID or the pubres device in the `*PUBSET-DEVICES(...)` operand in `/ADD-VM-DEVICES` or `/SWITCH-VM-DEVICES`.
- by the VM administrator with `ADMIN-PRIVILEGES=*MAX`, who assigns the required pubset devices to his or her VM by specifying the catalog ID or the pubres device in the `*PUBSET-DEVICES(...)` operand in `/ADD-VM-DEVICES`.



Pubsets for a VM can be entered in its VM definition with `/CREATE-/MODIFY-VM-DEFINITION`. The pubset is represented in the (inactive) VM definition only by the pubres device (suffix (PR) in `/SHOW-VM-DEFINITION`). Only when the VM definition is activated are the other pubset devices also determined and entered in the VM definition (suffix (PD) in `/SHOW-VM-DEFINITION`). When the VM is terminated, the pubset devices (except for the pubres device) are removed from the VM definition. Detailed information can be found in the [section "Working with VM definitions" on page 200](#).

If explicit pubset assignment has taken place for a VM, the pubres device of the pubset assumes the `PUBRES-FOR-ASSIGNMENT` attribute in VM2000 device management. The attribute therefore always refers to the VM concerned. The attribute is removed again when the pubset or pubres device is explicitly released.

A pubres device (and possibly its DRV mirror disk) with the `PUBRES-FOR-ASSIGNMENT` attribute is marked by the suffix (P) in the `ASSIGNED-BY` column of the information output of `/SHOW-VM-DEVICE-STATUS: VM-ADMIN(P)`.

When the VM is assigned a pubset by the **VM2000** administrator, the VM administrator receives an information message for every assigned pubset device and a termination message for the entire pubset.

After pubsets are explicitly assigned to the VM, the pubset devices have to be attached in the guest system and the pubset has to be imported. This is done using `/ATTACH-DEVICE UNIT=*PUBSET-DEVICES(...)` and `/IMPORT-PUBSET` in the guest system or by starting up the guest system. The pubset cannot be used in the guest system until it has been imported.

Explicit removal of pubsets

`/REMOVE-VM-DEVICES` or `/SWITCH-VM-DEVICES` explicitly removes a pubset which is no longer required from the VM. Before being removed, the pubset should be exported in the guest system using `/EXPORT-PUBSET`; the pubset devices should be detached using `/DETACH-DEVICE`. Implicitly and explicitly assigned pubsets can be removed. The pubset devices removed from a VM are then no longer available in the associated guest system.

The removal of devices that are still attached in the guest system is controlled by the `FORCE` operand. The `WAIT-FOR-UNASSIGN` operand can be used to convert explicit device assignment into implicit device assignment. The pubset devices then remain with the VM until they are detached in the guest system.

When the **VM2000** administrator removes a device from the VM, the VM administrator receives an information message about every released pubset device and a termination message for the entire pubset.

6.4.2.2 Implicit pubset assignment and release

In addition to explicit pubset assignment by the VM2000 or VM administrator, the guest system operator can assign the devices of a pubset (pubset for short) to itself (implicitly) if the requirements described below for the VM and the pubset devices are satisfied.

Requirements of the pubset devices for implicit pubset assignment

All pubset devices of a pubset which is envisaged for implicit assignment to a VM must have the `ASSIGN-BY-GUEST` attribute and should be assigned to precisely one assignment set. Information on assignment sets is provided in the section of the same name on [page 326](#).

The pubset devices assume the `ASSIGN-BY-GUEST` attribute in `/MODIFY-VM-DEVICE-ATTRIBUTES UNITS=*PUBSET-DEVICES(. . .)` and in the process are assigned to a created assignment set.



As a rule, the devices of a pubset should only be assigned to **one** assignment set. If a pubset was specified using `/MODIFY-VM-DEVICE-ATTRIBUTES UNITS=*PUBSET-DEVICES(. . .)`, the pubres device of the pubset in the VM2000 device management is assigned the `PUBRES-FOR-ATTRIBUTES` attribute. The attribute is withdrawn only if the pubres device was explicitly specified in the device list in `/MODIFY-VM-DEVICE-ATTRIBUTES`. The attribute is retained when `UNITS=*ALL / *PUBSET-DEVICES / *BY-ASSIGNMENT-SET` or a device list with wildcards was specified.

A pubres device (and possibly its DRV mirror disk) with the `PUBRES-FOR-ATTRIBUTES` attribute is marked by the suffix (P) in the `ASSIGN-SET` column of the information output of `/SHOW-VM-DEVICE-STATUS`, e.g. `*STDSET(P)`.

Information on whether pubset devices have the `ASSIGN-BY-GUEST` attribute and the assignment set to which they are assigned can be obtained using `/SHOW-VM-DEVICE-STATUS`.

The `ASSIGN-BY-GUEST` attribute can be removed from the device again using `/MODIFY-VM-DEVICE-ATTRIBUTES`.

Requirements of the VM for implicit pubset assignment

Each VM which to be able to implicitly assign itself pubsets must have the `ASSIGN-BY-GUEST` privilege for the relevant assignment sets to which the required pubset devices are assigned. This privilege can be set when the VM is initialized (see [page 135](#)) or with `/MODIFY-VM-ATTRIBUTES`; the assignment sets required are then assigned to the VM.



Assignment sets for a VM can be entered in the VM definition with `/CREATE-/MODIFY-VM-DEFINITION`. Detailed information can be found in the [section “Working with VM definitions” on page 200](#).

Information on whether a VM has the `ASSIGN-BY-GUEST` privilege and the assignment sets which are assigned to it can be obtained using `/SHOW-VM-ATTRIBUTES/-RESOURCES INFORMATION=*PRIVILEGES`.

`/MODIFY-VM-ATTRIBUTES` enables you to modify the set of assignment sets which is assigned to a VM or to remove the `ASSIGN-BY-GUEST` privilege from the VM.

Using `/SHOW-VM-DEVICE-STATUS SELECT=*PARAMETERS(ASSIGN-BY-GUEST=*YES(SET-NAME=*BY-GUEST(GUEST=<<vm-id>))) (/SHOW-VM-DEVICE-STATUS GUEST=<<vm-id> for short)` you can ascertain the devices which a guest system may assign itself implicitly.

The BS2000 command `/SHOW-DEVICE-CONFIGURATION UNIT=*PUBSET-DEVICES(...)` provides information on the options for implicit pubset assignment to the local VM in the guest system, see the “Commands” manual [[13](#)] and [page 251](#).



The home pubset must be assigned explicitly and exclusively to the VM before the guest system is started).

Implicit pubset assignment is not available for pubsets which should already be imported when the guest system starts up.

Implicit pubset assignment

The BS2000 command `/ATTACH-DEVICE UNIT=*PUBSET-DEVICES(...)` assigns all pubset devices to the VM implicitly without a mnemonic device name needing to be specified. At the same time the command attaches the pubset devices in the guest system.

Usage mode in the case of implicit device assignment:

- Pubset devices are assigned for shared use (usage mode `SHARED`).
- Pubset devices which are already assigned exclusively to another VM cannot be assigned implicitly.

Implicit release of pubsets

The BS2000 command `/DETACH-DEVICE UNIT=*PUBSET-DEVICES(...)` releases all devices of the pubset; they are removed from the VM.

The following points are worth noting about the implicit release of devices:

- Pubsets assigned to a VM implicitly are released when the guest system is shut down or when `/RESET-VM`, `/DELETE-VM` or `START-VM` (normal IPL) is issued for the relevant VM.
- In the following cases implicitly assigned pubset devices remain with the VM for diagnostic reasons:
 - abnormal system termination in the guest system
 - system shutdown in the guest system with automatic SLED, e.g. in the case of automatic restart and the restart option `DUMP=*SLED`
 - `/START-VM ... ,DIAGNOSTIC-IPL=*YES` for the VM

Exclusive use is changed to shared use. Other, implicitly assigned devices are released.

6.4.2.3 Interplay between implicit and explicit pubset assignment

If pubset devices are assigned explicitly, this status is not changed when `/ATTACH-DEVICE` or `/DETACH-DEVICE` is used.

A pubset that is assigned implicitly can subsequently be assigned explicitly by means of `/ADD-VM-DEVICES`. If the device is subsequently detached by means of `/DETACH-DEVICE` in the guest system, this status does not change.

Implicitly assigned pubsets can also be removed explicitly from the VM by the VM2000 or VM administrator by means of `/REMOVE-VM-DEVICES` or `/SWITCH-VM-DEVICES`, see [page 346](#). After `/SWITCH-VM-DEVICES` the pubset is assigned explicitly to the new VM.

Explicit assignment of an attached pubset to the guest system can be converted to implicit assignment by means of `/REMOVE-VM-DEVICES . . . , FORCE=*NO(WAIT-FOR-UNASSIGN=*YES)`. Subsequent detachment by means of `/DETACH-DEVICE` in the guest system releases the pubset.

In the case of pubset reconfiguration, VM2000 automatically adapts the pubset's assignment mode as required, see the [section "Pubset reconfiguration" on page 353](#).

6.4.2.4 Usage mode of pubsets

Exclusive use (usage mode EXCLUSIVE)

A pubset is used exclusively when it is assigned to only one VM and cannot be assigned to any other.

Exclusive use is said to apply in the following cases:

- The pubset is assigned to the VM explicitly by means of `/ADD-VM-DEVICES UNITS=*PUBSET-DEVICES(. . .), TYPE=*NONE`.
- Exclusive use is set with `/MODIFY-VM-DEVICE-USAGE UNITS=*PUBSET-DEVICES(. . .), USAGE=*EXCLUSIVE`.
- Shared use of disks of a pubset is converted to exclusive use when they are imported if the disks are assigned implicitly and only to this VM and the pubset is imported exclusively to this VM in the guest system (`/IMPORT-PUBSET . . . , USAGE=*EXCLUSIVE`).

`/MODIFY-VM-DEVICE-USAGE UNITS=*PUBSET-DEVICES(. . .), USAGE=*SHARED` can be used to set shared use for a pubset (but not for the home pubset) that is used exclusively by a VM.

Inputs/outputs for exclusively assigned devices take place directly between the guest system and the pubset device.

Shared use (usage mode SHARED)

Shared use describes the situation where a pubset is assigned to at least one VM and can be assigned to other VMs, see also the [section “Shared disk devices” on page 374](#).

Shared use is said to apply in the following cases:

- The pubset is assigned to the VM explicitly by means of `/ADD-VM-DEVICES UNITS=*PUBSET-DEVICES(...), TYPE=*SD`.
- The pubset is assigned to the VM implicitly.
- Shared use is set with `/MODIFY-VM-DEVICE-USAGE UNITS=*PUBSET-DEVICES(...), USAGE=*SHARED`
- When a pubset which is used exclusively is exported (`/EXPORT-PUBSET`), exclusive use of the disks of the pubset is converted to shared use if the disks are assigned implicitly to the VM (reversal of the procedure for `/IMPORT-PUBSET... ,USAGE=*EXCLUSIVE`).

A pubset that is assigned to a VM for shared use can be assigned to the VM exclusively by means of `/MODIFY-VM-DEVICE-USAGE UNITS=*PUBSET-DEVICES(...), USAGE=*EXCLUSIVE`, provided it is not already assigned to any other VM.



The usage mode of a pubset entered for the VM in its VM definition can be modified with `/MODIFY-VM-DEFINITION`. Detailed information can be found in the [section “Working with VM definitions” on page 200](#).

For information on input/output handling for the devices of shared pubsets, please refer to the section [“Input/output handling for shared devices” on page 331](#).

6.4.2.5 Notes on pubset specification in the VM2000 commands

Certain requirements and constraints must be observed for controlling pubsets in the VM2000 commands:

- **ADD-VM-DEVICES**
 - If the pubres device is specified or can be found by VM2000 by means of the catalog ID but the other pubres devices cannot be found, only the pubres device is assigned to the VM.
 - If another (found) pubres device cannot be assigned to the VM, e.g. because a pubset device is already assigned exclusively to another VM, the entire command is not executed.
 - Pubset devices may already be assigned to the VM. In this case an implicit assignment is changed into an explicit assignment by VM2000. The usage mode is adjusted by VM2000; if this is not possible, the entire command is not executed.
 - When the command is executed successfully, the pubres device is assigned the `PUBRES-FOR-ASSIGNMENT` attribute for this VM. The attribute is removed again in the event of explicit (pubset) release for the VM.
- **REMOVE-VM-DEVICES**
 - If the pubres device is specified or can be found by VM2000 by means of the catalog ID but the other pubres devices cannot be found, only the pubres device is removed from the VM.
 - The `PUBRES-FOR-ASSIGNMENT` attribute is removed from the pubres device for this VM.
 - Pubset devices may already have been removed from the VM.
 - When `FORCE=*NO(WAIT-FOR-UNASSIGN=*NO)` is specified, all pubset devices which are still assigned to the VM must be detached in the guest system; otherwise the entire command is not executed.
 - When `FORCE=*NO(WAIT-FOR-UNASSIGN=*YES)` is specified, the explicit assignment is converted into an implicit assignment by VM2000. In this case the `PUBRES-FOR-ASSIGNMENT` attribute is removed from the pubres device for this VM.
 - When the pubset is removed from the monitor VM, the pubset may not/no longer be imported in the monitor system.

- SWITCH-VM-DEVICES
 - If VM2000 cannot find the pubset devices, the command is not executed.
 - All pubset devices must be assigned to the FROM-VM. No pubset device may be assigned to the TO-VM.
 - If a pubset device cannot be removed and reassigned, the entire command is not executed.
 - When FORCE=*NO is specified, all pubset devices in the guest system of the FROM-VM must be detached.
 - If the FROM-VM is the monitor VM, the pubset may not/no longer be imported in the monitor system.
 - When the command is executed successfully, the pubres device is assigned the PUBRES-FOR-ASSIGNMENT attribute for the TO-VM. The attribute no longer applies after the pubres device has been removed for the FROM-VM.
- MODIFY-VM-DEVICE-ATTRIBUTES
 - If VM2000 cannot find the other pubset devices, the command is executed only for the pubres device.
 - When the command is executed successfully, the pubres device is assigned the PUBRES-FOR-ATTRIBUTES attribute. The attribute is removed only if the pubres device is specified explicitly in the device list in /MODIFY-VM-DEVICE-ATTRIBUTES. The attribute is retained when UNITS=*ALL / *PUBSET-DEVICES / *BY-ASSIGNMENT-SET or a device list with wildcards was specified.
- MODIFY-VM-DEVICE-USAGE
 - If VM2000 cannot find the pubset devices, the entire command is not executed.
 - If the usage mode cannot be changed for a pubset, the entire command is not executed, i.e.:
 - When USAGE=*EXCLUSIVE is specified, no pubset device in usage mode SH(I) may be assigned to the VM.
 - When USAGE=*SHARED is specified, no pubset device may be the current IPL device.
 - All pubset devices must be assigned to the VM.
- SHOW-VM-DEVICE-STATUS
 - If the pubres device is specified or can be found by VM2000 by means of the catalog ID but the other pubset devices cannot be found, only information on the pubres device is output.

6.4.2.6 Pubset reconfiguration

Configuration data and also the disk and volume set configuration of a pubset can be modified via command interfaces of the pubset reconfiguration in BS2000 during pubset operation (dynamic pubset reconfiguration). Basic information on this is provided in the section “Dynamic pubset reconfiguration” in the “Introduction to System Administration” [2].

Pubset reconfiguration is executed by the guest system for the pubsets which are assigned exclusively to it. For shared pubsets, pubset reconfiguration is initiated by any guest system and executed for all slave sharers under the control of the pubset master.

- VM2000 is informed if the system support of a guest system uses the BS2000 command `/MODIFY-PUBSET-PROCESSING` during ongoing operation to add (`*ADD`) or remove (`*REMOVE`) volumes to/from a pubset which is assigned to the VM.
- When a pubset is attached in the guest system using `/ATTACH-DEVICE UNIT=*PUBSET-DEVICES(. . .)` in a guest system, VM2000 detects a pubset reconfiguration which was performed by another system. However, only the adding of volumes (`*ADD`) is detected.

In both cases VM2000 adjusts the assignment mode (explicit, implicit), the usage mode (exclusive, shareable) and the device attributes (`ASSIGN-BY-GUEST` attribute) for the pubset devices if necessary, see [page 354](#). In special cases, manual adjustments by the VM2000 administrator may be required, see [page 355](#).

The modified pubset configuration is automatically taken into account in the next VM2000 command which addresses the pubset.

Adjustments by VM2000 when a new pubset device is detected

In the following cases VM2000 implements any adjustments which are required:

- The systems support of a guest system uses the BS2000 command `/MODIFY-PUBSET-PROCESSING` during ongoing operation to add a new volume (`*ADD`) to a pubset which is assigned to the VM.

In the case of a shared pubset, VM2000 implements the adjustments on the Server Unit for all the guest systems involved, provided at least one of these guest systems is running.

- The systems support of a guest system uses `/ATTACH-DEVICE UNIT=*PUBSET-DEVICES(...)` to attach a pubset to which new volumes were added from another system beforehand.
- The systems support of a guest system uses `/ATTACH-DEVICE UNIT=*PUBSET-DEVICES(...)` to attach a pubset whose pubset devices could not (yet) be found by VM2000 during the preceding explicit pubset assignment.

If the pubset is explicitly assigned to the VM, i.e. the pubset device has assumed the `PUBRES-FOR-ASSIGNMENT` attribute for the VM, VM2000 implements the following adjustments:

- If the pubres device has the usage mode `SHARED`, the new pubset device is assigned explicitly to the VM and assumes the usage mode `SHARED`.
- If the pubres device has the usage mode `EXCLUSIVE` and the new pubset device does not have the usage mode `SH(I)`, the new pubset device is assigned explicitly to the VM and assumes the usage mode `EXCLUSIVE`.

If the pubres device and the new pubset device are assigned implicitly to the VM, VM2000 implements the following adjustments:

- If the pubres device has the usage mode `SHARED`, the new pubset device assumes the usage mode `SHARED`.
- If the pubres device has the usage mode `EXCLUSIVE` and the new pubset device does not have the usage mode `SH(I)`, the new pubset device assumes the usage mode `EXCLUSIVE`.

If the device attribute `ASSIGN-BY-GUEST` was assigned for the pubset, i.e. the pubres device has the `PUBRES-FOR-ATTRIBUTES` attribute, or if the default value for the VM2000 parameter `ASSIGN-BY-GUEST` (see [page 538](#)) applies for the device attribute of the pubres device, the new pubset device assumes the same device attribute as the pubres device.

Adjustments by VM2000 when a pubset device is removed

If the systems support of a guest system uses the BS2000 command `/MODIFY-PUBSET-PROCESSING` during ongoing operation to remove a volume (`*REMOVE`) from a pubset which is assigned to the VM, VM2000 implements the following adjustments, as required:

- If the pubset is assigned explicitly to the VM, i.e. the pubres device has the `PUBRES-FOR-ASSIGNMENT` attribute for the VM, the remote device assumes the assignment mode implicitly.
- If the remote device had the usage mode `EXCLUSIVE`, it assumes the usage mode `SH(D)`.

In the case of a shared pubset, VM2000 implements the adjustments on the Server Unit for all the guest systems involved.

Manual adjustments by the VM2000 administrator

Manual adjustments by the VM2000 administrator are still required in multisystem operation for the special cases listed below as the usage and assignment modes for a device and VM cannot be adjusted by VM2000:

- If the pubset is assigned explicitly to an active VM but is not imported in the guest system and in this status a volume is removed from the pubset by a system on another Server Unit using `/MODIFY-PUBSET-PROCESSING`.
- If the home pubset is assigned explicitly to a VM in the `DOWN` status and in this status volumes are added to or removed from the home pubset by another system using `/MODIFY-PUBSET-PROCESSING`.

6.4.2.7 Mirror pubsets

Mirror pubsets, in other words pubsets in which the pubset volumes are subject to data mirroring, are supported by VM2000 for assigning and releasing pubsets. The actions of VM2000 depend on the type of data mirroring.

Dual Recording by Volume (DRV)

DRV is a recording method in BS2000 which enables the data to be stored in duplicate on two disks, see the “DRV” manual [5]. Depending on the operating mode, DRV is used to record data of a logical disk on one physical disk (mono mode) or on two physical disks (dual mode). DRV is not involved in conventional SRV mode (Single Recording by Volume).

When a disk is operated in mono mode (or in SRV mode), the required VM2000 function is executed only for the one device when the `*PUBSET-DEVICES` operand is specified for this logical disk. The disk device which is physically available or entered in the MRS catalog must be specified as the pubres device. The device attributes `PUBRES-FOR-ASSIGNMENT` and `PUBRES-FOR-ATTRIBUTES` are displayed for the pubres device when `/SHOW-VM-DEVICE-STATUS` is used, see [page 343](#).

When a disk is operated in dual mode, the required VM2000 function is executed when the `*PUBSET-DEVICES` operand is specified for both devices of the logical DRV disk concerned. Either of the two DRV disk devices can be specified or entered in the MRS catalog as the pubres device. The device attributes `PUBRES-FOR-ASSIGNMENT` and `PUBRES-FOR-ATTRIBUTES` are displayed for both pubres devices when `/SHOW-VM-DEVICE-STATUS` is used, see [page 343](#).

If the DRV configuration changes, e.g. because of a switch from dual to mono mode, the failure of a disk or the resumption of dual mode, this does not immediately result in the pubset device list being changed in the SVL of the pubres device(s). In this case a VM2000 command for the pubset is still effective for the pubset’s “old” device list. The pubset device lists are changed only when one of the pubsets is exported or imported or in the event of dynamic pubset reconfiguration, see [page 353](#).

Mirror disks in the local disk storage system

Clone units and additional mirror units (synonym: Business Continuance Volumes (BCVs)) are additional local mirror disks in external disk storage systems which can be split for other purposes without impairing ongoing input/output operations. See the “SHC-OSD” manual [20].

The following procedure applies for additional mirror units and clone units under VM2000:

- When a pubset with clone units or additional mirror units is operated, the required VM2000 function is executed on the pubset’s original or normal units when the `*PUBSET-DEVICES` operand is specified, provided the original or normal unit was specified for the pubres device or is entered in the MRS catalog (normal case).
- In exceptional cases one of the pubres device’s clone units or additional mirror units can also be specified. The required VM2000 function is then executed on the set of the pubset’s clone units or additional mirror units which belongs to the specified clone unit or additional mirror unit of the pubres device. In this case the software product SHC-OSD is also required in the monitor system.



The (first) access of SHC-OSD to the configuration data of an external disk storage system can take a few minutes. In this case the VM2000 command is aborted with a timeout (message `VMS4252`). The VM2000 command should be retried later. The required VM2000 function should be available for the mirror pubset after the configuration data has been read.

To operate a Symmetrix disk storage system via a fibre channel SHC-OSD requires gatekeeper devices. Gatekeeper devices are devices which are specially configured in the Symmetrix disk storage systems for handling the inputs/outputs of the host components’ SYMAPI functions. In this case one or more gatekeeper devices must therefore be assigned to the monitor VM and be attached in the monitor system.

The device attributes `PUBRES-FOR-ASSIGNMENT` and `PUBRES-FOR-ATTRIBUTES` are displayed for the pubres device concerned when `/SHOW-VM-DEVICE-STATUS` is used, see [page 343](#).



The statements above also apply analogously for local replication functions of other external disk storage systems provided these functions are supported by BS2000 and SHC-OSD.

Mirror disks in remote disk storage systems

When the REC (Remote Equivalent Copy, ETERNUS DX) and Symmetrix Remote Data Facility (SRDF) functions are used, the data of a local disk storage system is mirrored on **remote** disk storage systems, see the "SHC-OSD" manual [20].

When a pubset is this way, the required VM2000 function is executed on all of the pubset's source units when the `*PUBSET-DEVICES` operand is specified. The source unit must be specified as the `pubres` device or entered in the MRS catalog.

Only if VM2000 can access the target units in the remote disk storage system can a target unit also be specified as the `pubres` device. The required VM2000 function is then executed on the corresponding target units of the pubset.

The device attributes `PUBRES-FOR-ASSIGNMENT` and `PUBRES-FOR-ATTRIBUTES` are displayed for the `pubres` device concerned when `/SHOW-VM-DEVICE-STATUS` is used, see [page 343](#).



The statements above also apply analogously for remote replication functions of other external disk storage systems, provided these functions are supported by BS2000 and SHC-OSD.

6.4.2.8 Example of pubset management

This example, which consists of several parts, illustrates the various ways of assigning and releasing pubsets and how the usage mode is changed when VM2000 and a guest system are used together.

In principle the execution is the same as for [“Example of peripheral device management” on page 332](#), but it utilizes simplified device selection in the command by specifying the pubset.

Guest system operations are marked with “***”.

Asynchronous messages are marked with %.

Explicit pubset assignment

```

/creat-vm memory-size=128,vm-name=system2,cpu-quota=30 _____ (1)
VMS3050 VIRTUAL MACHINE (2,SYSTEM2) CREATED
VMS4615 VIRTUAL MACHINE (2,SYSTEM2) ASSIGNED TO CPU POOL '*STDPPOOL'
/add-vm-devices units=(ch,ci),vm-id=system2 _____ (2)
VMS4005 DEVICE 'CH' ASSIGNED TO VIRTUAL MACHINE (2,SYSTEM2)
VMS4005 DEVICE 'CI' ASSIGNED TO VIRTUAL MACHINE (2,SYSTEM2)
/add-vm-devices units=*pubset-devices(pubset=4ivk),vm-id=system2
VMS4005 DEVICE 'FC1A' ASSIGNED TO VIRTUAL MACHINE (2,SYSTEM2)
VMS4005 DEVICE 'FC1B' ASSIGNED TO VIRTUAL MACHINE (2,SYSTEM2)
VMS4220 PUBSET '4IVK' WITH PUBRES DEVICE 'FC1A' ASSIGNED TO VM (2,SYSTEM2)
/start-vm ipl-unit=fc1a,vm-id=system2 _____ (3)
VMS2023 CPU 00 OF VIRTUAL MACHINE (2,SYSTEM2) STARTED
VMS2023 CPU 01 OF VIRTUAL MACHINE (2,SYSTEM2) STARTED
***
*** Systemeinleitung des Gastsystems auf der VM2
***
% VMS2050 GUEST SYSTEM ON VM (2,SYSTEM2) READY _____ (4)

```

- (1) The VM2000 administrator creates a VM.
- (2) The VM2000 administrator explicitly assigns the KVP device pair and the devices of the home pubset to VM2. These devices are required by VM2 for startup and therefore cannot be assigned implicitly.
Pubset 4IVK is entered in the monitor system's MRS catalog and is consequently detected here by VM2000.
- (3) VM2 is started.
- (4) The guest system on the VM2 has reached SYSTEM READY.

Implicit pubset assignment

```

/CREATE-VM-ASSIGNMENT-SET SET-NAME=SYS2IMPL _____ (5)
VMS4201 ASSIGNMENT SET 'SYS2IMPL' CREATED
/MODIFY-VM-ATTRIBUTES VM-ID=SYSTEM2,
      PRIVILEGES=*PAR(ASSIGN-BY-GUEST=*YES(SET-NAME=SYS2IMPL)) ____ (6)
/SHOW-VM-DEVICE-STATUS UNITS=*PUBSET-DEVICES(PUBSET=4IVL) _____ (7)
% NKRO042 'DEVICE      =FC1C': ATTACH ACCEPTED
% NKRO040 'DEVICE      =FC1C' ATTACHED
% NKVD010 DISK '4IVL.0' MOUNTED ON DEVICE 'FC1C'
% NKRO045 *** 'DEVICE      =FC1C' DETACHED ***
UNIT DEV-TYPE PAV   S ASSIGN-SET  USAGE VM-ID/(#VM) ASSIGNED-BY
FC1C D3435
FC1D D3435
/SHOW-VM-DEVICE-STATUS UNITS=(CC42,CC43,990F)
UNIT DEV-TYPE PAV   S ASSIGN-SET  USAGE VM-ID/(#VM) ASSIGNED-BY
CC42 HNC
CC43 HNC
990F D3435
                               SH(D) 1 MONITOR  VM-ADMIN _____ (8)
/MODIFY-VM-DEVICE-ATTRIBUTES UNITS=*PUBSET-DEVICES(PUBSET=4IVL),
      ASSIGN-BY-GUEST=*YES(SET-NAME=SYS2IMPL) _____ (9)
VMS4240 DEVICE ATTRIBUTES OF PUBSET '4IVL' WITH PUBRES DEVICE 'FC1C' MODIFIED
/MODIFY-VM-DEVICE-ATTRIBUTES UNITS=(CC42,CC43,990F),
      ASSIGN-BY-GUEST=*YES(SET-NAME=SYS2IMPL)

```

- (5) The assignment set SYS2IMPL is created.
- (6) The VM2000 administrator assigns VM2 the ASSIGN-BY-GUEST privilege for the devices in assignment set SYS2IMPL. This enables the guest system operator to implicitly assign free devices to the VM (and also to release them again). This privilege could also have been assigned to the VM with /CREATE-VM provided the assignment set SYS2IMPL already exists at this time.
- (7) The VM2000 administrator wants to make some devices available to VM2 and uses the VM2000 administrator command to obtain information about the status of the devices first.
The pubres device FC1C is briefly attached in the monitor system in the course of command execution in order to ascertain the pubset data. Similar reconfiguration messages are not shown in the rest of this example.
- (8) All the relevant devices are free. Disk device 990F has already been assigned explicitly to the monitor VM for shared use with other VMs (VM-ADMIN) and therefore has the usage mode SH(D)(SHARED with direct I/O).
- (9) Implicit device assignment is to be permitted for the devices. The VM2000 administrator therefore specifies the ASSIGN-BY-GUEST attribute for the pubset and the devices concerned and assigns them to assignment set SYS2IMPL zu.


```

/show-vm-device-status select=*par(assign-by-guest=*yes(set-name=sys2impl))
UNIT DEV-TYPE PAV S ASSIGN-SET USAGE VM-ID/(#VM) ASSIGNED-BY ----- (10)
CC42 HNC          SYS2IMPL
CC43 HNC          SYS2IMPL
990F D3435       SYS2IMPL SH(D) 1 MONITOR VM-ADMIN
FC1C D3435       SYS2IMPL(P)
FC1D D3435       SYS2IMPL
/show-vm-assignment-set set-name=sys2impl ----- (11)
ASSIGNMENT-SET #DEVICES VM-ID
SYS2IMPL       5        2 SYSTEM2

```

- (10) All the devices concerned now have the `ASSIGN-BY-GUEST` attribute and are assigned to assignment set `SYS2IMPL`.
The `PUBRES-FOR-ATTRIBUTES` attribute is displayed for device `FC1C`.
- (11) The information output for the assignment set shows the related summary.

```

***
*** Guest system operation on VM2:
*** /attach-device unit=*pubset-devices(pubset=4iv1) _____ (12)
*** % NKR0042 'DEVICE      =FC1C': ATTACH ACCEPTED
*** % NKR0040 'DEVICE      =FC1C' ATTACHED
*** % NKR0042 'DEVICE      =FC1D': ATTACH ACCEPTED
*** % NKVD010 DISK '4IVL.0' MOUNTED ON DEVICE 'FC1C' _____ (13)
*** % NKR0040 'DEVICE      =FC1D' ATTACHED
*** % NKVD010 DISK '4IVL.1' MOUNTED ON DEVICE 'FC1D'
*** NBR0740 COMMAND COMPLETED 'ATTACH-DEVICE';
***          (RESULT: SC2=000, SC1=000, MC=CMD0001); DATE: <date>
*** /attach-device unit=(CC42,CC43,990f)
*** NKR0042 'DEVICE      =CC42': ATTACH ACCEPTED
*** NKR0042 'DEVICE      =CC43': ATTACH ACCEPTED
*** NKR0042 'DEVICE      =990F': ATTACH ACCEPTED
*** NKR0040 'DEVICE      =CC42' ATTACHED
*** NKR0040 'DEVICE      =CC43' ATTACHED
*** NKR0040 'DEVICE      =990F' ATTACHED
*** NKVD010 DISK 'W0990F' MOUNTED ON DEVICE '990F'
*** NBR0740 COMMAND COMPLETED 'ATTACH-DEVICE';
***          (RESULT: SC2=000, SC1=000, MC=CMD0001); DATE: <date>
***
% VMS4005 DEVICE 'FC1C' ASSIGNED TO VIRTUAL MACHINE (2,SYSTEM2) (BY GUEST)
% VMS4005 DEVICE 'FC1D' ASSIGNED TO VIRTUAL MACHINE (2,SYSTEM2) (BY GUEST)
% VMS4005 DEVICE 'CC42' ASSIGNED TO VIRTUAL MACHINE (2,SYSTEM2)
(BY GUEST) _____ (14)
% VMS4005 DEVICE 'CC43' ASSIGNED TO VIRTUAL MACHINE (2,SYSTEM2) (BY GUEST)
% VMS4005 DEVICE '990F' ASSIGNED TO VIRTUAL MACHINE (2,SYSTEM2) (BY GUEST)

```

- (12) The guest system operator uses the BS2000 command /ATTACH-DEVICE to attach the pubset. The devices of the pubset are assigned to VM2 implicitly here.
- (13) Disks are detected in the guest system on the attached disk devices.
- (14) The VM and VM2000 administrators are notified about the implicit device assignment to VM2 by asynchronous messages.

```

/show-vm-device-status units=*std,information=*all,
                select=*par(assign-by-guest=*yes(set-name=sys2impl)) — (15)
UNIT DEV-TYPE PAV   S ASSIGN-SET  USAGE VM-ID/(#VM) ASSIGNED-BY
CC42 HNC                SYS2IMPL  EXCL  2 SYSTEM2  GUEST  _____ (16)
CC43 HNC                SYS2IMPL  EXCL  2 SYSTEM2  GUEST  _____
990F D3435             SYS2IMPL  SH(I)  ( 2)  MIXED  _____ (17)
                                1 MONITOR VM-ADMIN
                                2 SYSTEM2  GUEST
FC1C D3435             SYS2IMPL(P) SH(D)  2 SYSTEM2  GUEST  _____ (18)
FC1D D3435             SYS2IMPL  SH(D)  2 SYSTEM2  GUEST  _____
/show-vm-attributes information=*all,vm-id=system2 _____ (19)
                CPU-POOL(P)
VM-ID          VM-GROUP(G) CPU-Q   MAX-U  PROC   MEM-SIZE  MAX-I/O
 2 SYSTEM2    *STDPOOL(P) 30.00 100.00 1(+1)   128 (100)

VM-ID          STATE          VERSION PER ADMIN PRIV
 2 SYSTEM2    RUNNING          V10.0A NO  NO   AG,AS

VM-ID          CPU-POOL  GR-CPU-Q  CPU-Q/ EFF-Q  MAX-U/ EFF-U  PROC
 2 SYSTEM2    *STDPOOL          30.00/ 25.00 100.00/ 25.00 1(+1)

VM-ID          SCHED ACT-I  VIRT CPUS
 2 SYSTEM2    DC    NO   00(RUN),01(SLEEP)

VM-ID          VM-MONJV
 2 SYSTEM2    NO VM-MONJV ASSIGNED

```

(Output continued on the next page)

- (15) The VM2000 administrator obtains detailed information on the status of the devices. If `INFORMATION=*ALL` is specified for a device which is assigned to multiple VMs for shared use, all of the VMs are output.
- (16) Devices which are not disk devices or CRD devices are assigned to the usage mode `EXCLUSIVE` in the event of implicit device assignment.
- (17) Disk device `990F` is assigned to the monitor VM explicitly and to VM2 implicitly. The usage mode is therefore `SH(I)` (`SHARED` with indirect I/O).
- (18) In the case of implicit device assignment, the disk devices are assigned in the usage mode `SHARED`. Input/output takes place by means of direct I/O because the devices are initially assigned to only one VM.
- (19) This command provides a VM administrator with information on his or her VM.

```

VM-ID          UNITS _____ (20)
  2 SYSTEM2    ASSIGNED BY VM-ADMIN
                EXCL:  CH,CI,FC1A,FC1B
                ASSIGNED BY GUEST
                EXCL:  CC42,CC43
                SHARED: 990F,FC1C,FC1D
...
VM-ID          PRIV  DETAILS
  2 SYSTEM2    AG    SYS2IMPL _____ (21)
                AS
*** Guest system operation on VM2:
*** /import-pubset pubset=4ivl,use=*exclusive _____ (22)
*** DMS035B IMPORT PUBSET TASK WITH TSN 'XAAU' FOR PUBSET WITH PUBSET ID
***          '4IVL' HAS BEEN CREATED AND STARTED
*** SRM5017 USER GROUP MANAGEMENT ON PUBSET '4IVL' INITIALIZED WITH '1'
***          USER GROUP(S)
*** PRO6000 GUARDS CATALOG ':4IVL:$TSOS.SYSCAT.GUARDS' OPENED
*** DMS03E0: SCA (SPEEDCAT) VERSION V19.0A00 RUNNING FOR CATALOG-ID 4IVL
*** DMS03E1: SCA RUNNING FOR CATALOG-ID 4IVL.
***          STATUS OF CATALOG: 00 002664 FILE ENTRIES AND
***          00000002 JOB VARIABLES IN 00000288 CATALOG BLOCKS
*** DMS038F IMPORT PUBSET PROCESSING COMPLETED.
***          PUBSET WITH PUBSET ID '4IVL' IN 'LOCAL-IMPORTED' STATE
*** NBR0740 COMMAND COMPLETED 'IMPORT-PUBSET';
***          (RESULT: SC2=000, SC1=000, MC=DMS038F); DATE: <date>
*** /show-device-config unit=*pubset-devices(pubset=4ivl),info=*vm2000 (23)
*** MNEM UN-CLASS UN-TYPE CONF-STATE VM-ASSIGN VM-USAGE _____ (24)
*** FC1C DVC      D3435  ATTACHED  BY-GUEST  EXCL _____ (25)
*** FC1D DVC      D3435  ATTACHED  BY-GUEST  EXCL
*** NBR0740 COMMAND COMPLETED 'SHOW-DEVICE-CONFIGURATION';
***          (RESULT:SC2=000, SC1=000, MC=CMD0001); DATE: <date>

```

- (20) The type of device assignment (BY VM-ADMIN, BY GUEST) and the usage mode (EXCL, SHARED) are displayed for VM2.
- (21) The ASSIGN-BY-GUEST privilege for the VM and the assignment set assigned are displayed.
- (22) In the guest system, pubset 4IVL is imported in exclusive access mode. The pubset consists of the disk devices FC1C and FC1D.
- (23) The guest system operator obtains information on the VM2000 status of the implicitly assigned disk devices of his or her guest system.
- (24) The output columns VM-ASSIGN and VM-USAGE also inform the guest system operator about the type of assignment and usage.
- (25) For the disk devices FC1C and FC1D, the exclusive importing of the pubset has changed the usage mode from SHARED to EXCLUSIVE.

Changing the usage mode

```
/show-vm-device-status units=*std,information=*all,  
select=*par(state=*assigned(vm-id=system2)) —— (26)
```

UNIT	DEV-TYPE	PAV	S	ASSIGN-SET	USAGE	VM-ID/(#VM)	ASSIGNED-BY
CH	SKP2				EXCL	2 SYSTEM2	VM-ADMIN
CI	SKP2				EXCL	2 SYSTEM2	VM-ADMIN
CC42	HNC			SYS2IMPL	EXCL	2 SYSTEM2	GUEST
CC43	HNC			SYS2IMPL	EXCL	2 SYSTEM2	GUEST
990F	D3435			SYS2IMPL	SH(I)	(2)	MIXED
						1 MONITOR	VM-ADMIN
						2 SYSTEM2	GUEST
FC1A	D3435				EXCL	2 SYSTEM2	VM-ADMIN(P)
FC1B	D3435				EXCL	2 SYSTEM2	VM-ADMIN
FC1C	D3435			SYS2IMPL(P)	EXCL	2 SYSTEM2	GUEST
FC1D	D3435			SYS2IMPL	EXCL	2 SYSTEM2	GUEST

```
/modify-vm-device-usage vm-id=system2,usage=*shared,  
units=*pubset-devices(pubset=4ivl) ————— (28)
```

VMS4230 DEVICE USAGE OF PUBSET '4IVL' WITH PUBRES DEVICE 'FC1C' MODIFIED

```
/show-vm-device-status units=*pubset-devices(pubset=4ivl)  
UNIT DEV-TYPE PAV S ASSIGN-SET USAGE VM-ID/(#VM) ASSIGNED-BY  
FC1C D3435 SYS2IMPL(P) SH(D) 2 SYSTEM2 GUEST ————— (29)  
FC1D D3435 SYS2IMPL SH(D) 2 SYSTEM2 GUEST
```

- (26) The VM2000 administrator obtains detailed information on the status of the devices assigned to VM2.
- (27) For the disk devices FC1C and FC1D, the exclusive importing of the pubset has changed the usage mode from SHARED to EXCLUSIVE, see (25).
- (28) The VM2000 administrator nevertheless wants to set the usage mode SHARED for these disk devices again.
- (29) In spite of the exclusive use of the pubset, SHARED usage is set again in the guest system.

Implicit pubset release

```

***
*** Guest system operation on VM2:
*** /export-pubset pubset=4ivl _____ (30)
*** DMS035D EXPORT-PUBSET TASK WITH TSN 'XAAX'FOR PUBSET WITH PUBSET ID
      '4IVL' HAS BEEN CREATED AND STARTED
*** PRO6005 GUARDS CATALOG ':4IVL:$TSOS.SYSCAT.GUARDS' CLOSED
*** DMS03E2 NORMAL TERMINATION OF SCA (CATALOG ID '4IVL')
*** DMS037F EXPORT-PUBSET PROCESSING COMPLETED FOR PUBSET '4IVL'
*** NBR0740 COMMAND COMPLETED 'EXPORT-PUBSET';
      (RESULT: SC2=000, SC1=000, MC=DMS037F); DATE: <date>
*** /detach-device unit=*pubset-devices(pubset=4ivl) _____ (31)
*** NKRO092 'DEVICE      =FC1C': /DETACH-DEVICE PENDING ACCEPTED
*** NKRO092 'DEVICE      =FC1D': /DETACH-DEVICE PENDING ACCEPTED
*** NKRO045 *** 'DEVICE      =FC1C' DETACHED ***
*** NKRO045 *** 'DEVICE      =FC1D' DETACHED ***
*** NBR0740 COMMAND COMPLETED 'DETACH-DEVICE';
      (RESULT: SC2=000, SC1=000, MC=CMD0001); DATE: <date>
***
% VMS4009 DEVICE 'FC1C' REMOVED FROM VIRTUAL MACHINE (2,SYSTEM2)
      (BY GUEST) _____ (32)
% VMS4009 DEVICE 'FC1D' REMOVED FROM VIRTUAL MACHINE (2,SYSTEM2) (BY GUEST)
/show-vm-device-status units=*pubset-devices(pubset=4ivl),information=*all
UNIT DEV-TYPE PAV   S ASSIGN-SET  USAGE VM-ID/(#VM) ASSIGNED-BY _____ (33)
FC1C D3435          SYS2IMPL(P)
FC1D D3435          SYS2IMPL

```

- (30) Pubset 4IVL is exported in the guest system.
- (31) The pubset device(s) are detached in the guest system and consequently removed from the VM.
- (32) VM and VM2000 administrators are informed of the implicit device release by asynchronous messages.
- (33) The devices have their original status again.

Converting from explicit to implicit pubset assignment

```

/add-vm-devices units=*pubset-devices(pubset=4ivl),vm-id=system2 _____ (34)
VMS4005 DEVICE 'FC1C' ASSIGNED TO VIRTUAL MACHINE (2,SYSTEM2)
VMS4005 DEVICE 'FC1D' ASSIGNED TO VIRTUAL MACHINE (2,SYSTEM2)
VMS4220 PUBSET '4IVL' WITH PUBRES DEVICE 'FC1C' ASSIGNED TO VM (2,SYSTEM2)
/show-vm-device-status information=*std,units=*pubset-devices(pubset=4ivl)
UNIT DEV-TYPE PAV S ASSIGN-SET USAGE VM-ID/(#VM) ASSIGNED-BY _____ (35)
FC1C D3435 SYS2IMPL(P) EXCL 2 SYSTEM2 VM-ADMIN(P)
FC1D D3435 SYS2IMPL EXCL 2 SYSTEM2 VM-ADMIN
*** Guest system operation on VM2:
*** /attach-device unit=*pubset-devices(pubset=4ivl) _____ (36)
*** NKRO042 'DEVICE =FC1C': ATTACH ACCEPTED
*** NKRO040 'DEVICE =FC1C' ATTACHED
*** NKRO042 'DEVICE =FC1D': ATTACH ACCEPTED
*** NKVD010 DISK '4IVL.0' MOUNTED ON DEVICE 'FC1C'
*** NKRO040 'DEVICE =FC1D' ATTACHED
*** NKVD010 DISK '4IVL.1' MOUNTED ON DEVICE 'FC1D'
*** NBR0740 COMMAND COMPLETED 'ATTACH-DEVICE';
*** (RESULT: SC2=000, SC1=000, MC=CMD0001); DATE: <date>
/remove-vm-devices vm-id=system2,units=*pubset-devices(pubset=4ivl) _____ (37)
VMS4085 DEVICE 'FC1C' STILL ATTACHED IN GUEST SYSTEM. DEVICE NOT REMOVED
VMS4085 DEVICE 'FC1D' STILL ATTACHED IN GUEST SYSTEM. DEVICE NOT REMOVED
VMS4223 VM2000 COMMAND /REMOVE-VM-DEVICES FOR PUBSET SPECIFIED BY PUBRES
DEVICE OR CATID '4IVL' REJECTED
/remove-vm-devices units=*pubset-devices(pubset=4ivl),vm-id=system2,
force=*no(wait-for-unassign=*yes) _____ (38)
VMS4087 DEVICE 'FC1C' REMAINS ASSIGNED TO VM (2,SYSTEM2) UNTIL DETACH IN
GUEST SYSTEM HAS BEEN DONE
VMS4087 DEVICE 'FC1D' REMAINS ASSIGNED TO VM (2,SYSTEM2) UNTIL DETACH IN
GUEST SYSTEM HAS BEEN DONE
VMS4235 SOME DEVICES OF PUBSET '4IVL' WITH PUBRES DEVICE 'FC1C' REMAIN
ASSIGNED TO VM (2,SYSTEM2) UNTIL DETACH IN GUEST SYSTEM HAS BEEN DONE

```

- (34) The VM2000 administrator assigns the pubset devices explicitly and exclusively to VM2.
- (35) The output of /SHOW-VM-DEVICE-STATUS indicates this. For the device FC1C the PUBRES=FOR=ASSIGNMENT attribute is displayed in the ASSIGNED-BY column.
- (36) The devices are attached in the guest system.
- (37) The VM2000 administrator cannot remove the devices because they are still attached in the guest system.
- (38) By means of the FORCE=***NO(WAIT-FOR-UNASSIGN=***YES)**** operand the VM2000 administrator changes explicit assignment to implicit assignment (FORCE=***YES** should only be used in exceptional cases).

```

/show-vm-device-status information=*std,
                               units=*pubset-devices(pubset=4iv1)
UNIT DEV-TYPE PAV   S ASSIGN-SET  USAGE VM-ID/(#VM) ASSIGNED-BY  (39)
FC1C D3435          SYS2IMPL(P) SH(D)  2 SYSTEM2  GUEST
FC1D D3435          SYS2IMPL   SH(D)  2 SYSTEM2  GUEST
***
*** Guest system operation on VM2:
*** /detach-device unit=*pubset-devices(pubset=4iv1) (40)
*** NKRO092 'DEVICE    =FC1C': /DETACH-DEVICE PENDING ACCEPTED
*** NKRO092 'DEVICE    =FC1D': /DETACH-DEVICE PENDING ACCEPTED
*** NKRO045 *** 'DEVICE    =FC1C' DETACHED ***
*** NKRO045 *** 'DEVICE    =FC1D' DETACHED ***
*** NBRO740 COMMAND COMPLETED 'DETACH-DEVICE';
***           (RESULT: SC2=000, SC1=000, MC=CMD0001); DATE: <date>
***
% VMS4009 DEVICE 'FC1C' REMOVED FROM VIRTUAL MACHINE (2,SYSTEM2)
           (BY GUEST) (41)
% VMS4009 DEVICE 'FC1D' REMOVED FROM VIRTUAL MACHINE (2,SYSTEM2) (BY GUEST)
/show-vm-device-status units=*pubset-devices(pubset=4iv1),information=*std
UNIT DEV-TYPE PAV   S ASSIGN-SET  USAGE VM-ID/(#VM) ASSIGNED-BY  (42)
FC1C D3435          SYS2IMPL(P)
FC1D D3435          SYS2IMPL

```

- (39) The output of /SHOW-VM-DEVICE-STATUS indicates that the devices are now assigned implicitly to the VM. The PUBRES-FOR-ASSIGNMENT attribute (ASSIGNED-BY column) has once more been removed from the pubres device for this VM. At the same time the usage mode has also changed (SH(D)) because the pubset in the guest system has not been imported exclusively.
- (40) The devices are detached in the guest system and consequently implicitly released.
- (41) VM and VM2000 administrators are informed of the implicit device release by asynchronous messages.
- (42) The devices are once again free.

Implicit device release at shutdown

```

/shutdown-vm vm-id=system2,action=*shutdown(quiet-time=0) _____ (43)
VMS2054 SHUTDOWN OF GUEST SYSTEM ON VM (2,SYSTEM2) INITIATED
% VMS2037 NON-INTERRUPTIBLE WAIT STATE FOR VIRTUAL MACHINE (2,SYSTEM2),
    CODE 80FFFFFF, CPU 01
% VMS2033 'EXC0557 SHUTDOWN PROCESSING COMPLETED' FROM VM (2,SYSTEM2)
% VMS2051 GUEST SYSTEM ON VM (2,SYSTEM2) DOWN; REASON: SHUTDOWN
% VMS2037 NON-INTERRUPTIBLE WAIT STATE FOR VIRTUAL MACHINE (2,SYSTEM2),
    CODE 80FFFFFF, CPU 00
% VMS4009 DEVICE 'CC42' REMOVED FROM VIRTUAL MACHINE (2,SYSTEM2) _____ (44)
% VMS4009 DEVICE 'CC43' REMOVED FROM VIRTUAL MACHINE (2,SYSTEM2)
% VMS4009 DEVICE '990F' REMOVED FROM VIRTUAL MACHINE (2,SYSTEM2)
/show-vm-attributes vm-id=system2,information=*all
      CPU-POOL(P)
VM-ID      VM-GROUP(G)  CPU-Q    MAX-U  PROC    MEM-SIZE  MAX-IO
  2 SYSTEM2 *STDPPOOL(P) 30.00   100.00 1(+1)      128   (100)

VM-ID      STATE          VERSION PER ADMIN PRIV
  2 SYSTEM2 DOWN          V10.0A  NO  NO    AG,AS _____ (45)

VM-ID      CPU-POOL  GR-CPU-Q  CPU-Q/  EFF-Q  MAX-U/  EFF-U  PROC
  2 SYSTEM2 *STDPPOOL          30.00/ 25.00 100.00/ 25.00 1(+1)

VM-ID      SCHED ACT-I  VIRT CPUS
  2 SYSTEM2 -      NO    00(IDLE),01(IDLE)

VM-ID      VM-MONJV
  2 SYSTEM2 NO VM-MONJV ASSIGNED

VM-ID      UNITS
  2 SYSTEM2 ASSIGNED BY VM-ADMIN
            EXCL:  CH,CI,FC1A,FC1B _____ (46)
...

```

- (43) The VM2000 administrator initiates the shutdown in the guest system.
- (44) The implicitly assigned devices of VM2 are released (asynchronous messages to the VM and VM2000 administrators).
- (45) The concluding information command shows that the guest system on VM2 is no longer active.
- (46) Only the explicitly assigned devices are still with VM2.

Explicit device release upon termination of the VM

```

/delete-vm vm-id=system2 _____ (47)
VMS4009 DEVICE 'CH' REMOVED FROM VIRTUAL MACHINE (2,SYSTEM2)
VMS4009 DEVICE 'CI' REMOVED FROM VIRTUAL MACHINE (2,SYSTEM2)
VMS4009 DEVICE 'FC1A' REMOVED FROM VIRTUAL MACHINE (2,SYSTEM2)
VMS4009 DEVICE 'FC1B' REMOVED FROM VIRTUAL MACHINE (2,SYSTEM2)
VMS4619 VIRTUAL MACHINE (2,SYSTEM2) REMOVED FROM CPU POOL '*STDPOOL'
VMS4024 VIRTUAL MACHINE (2,SYSTEM2) TERMINATED
/show-vm-assignment-set set-name=sys2impl _____ (48)
ASSIGNMENT-SET #DEVICES VM-ID
SYS2IMPL      5      NONE
/modify-vm-device-attributes units=*by-assignment-set(set-name=sys2impl),
                           assign-by-guest=*no _____ (49)
/show-vm-assignment-set set-name=sys2impl _____ (50)
ASSIGNMENT-SET #DEVICES VM-ID
SYS2IMPL      0      NONE
/delete-vm-assignment-set set-name=sys2impl _____ (51)
VMS4205 ASSIGNMENT SET 'SYS2IMPL' DELETED
/show-vm-assignment-set _____ (52)
ASSIGNMENT-SET #DEVICES VM-ID
*STDSET      0      NONE

```

- (47) VM2 is terminated. The explicitly assigned devices are removed.
- (48) Assignment set SYS2IMPL is no longer assigned to a VM, but it still contains 5 devices.
- (49) Implicit device assignment is no longer to be permitted for the devices in assignment set SYS2IMPL.
- (50) Assignment set SYS2IMPL now no longer contains devices; it can be deleted.
- (51) Assignment set SYS2IMPL is deleted.
- (52) Only the assignment set *STDSET still exists.

6.4.3 Special devices

Configuration Raw Device (CRD, SU /390)

Special system disks (Configuration Raw Devices (CRDs)) are used for storing the VM definitions (see [page 200](#)).

For high-availability functions in an SU cluster, the content of these system disks is also duplicated on disks in an external disk storage system. These external disks are then announced to all BS2000 systems involved (on SU /390) by means of the hardware generation and made accessible to them over Fibre Channel. In this manual the term Configuration Raw Device (CRD) only refers to these external disks.

CRD devices are always assigned implicitly to a VM, irrespective of the `ASSIGN-BY-GUEST` setting, by the guest system (usage mode `SHARED`), see [page 326](#). The VM and CRD device do **not** need to be prepared for the implicit device assignment (i.e. no privilege or attribute `ASSIGN-BY-GUEST` for the VM or device). Explicit assignment of CRD devices is rejected.

CRD devices have the device type `HA-CRD`, visible, for example, in `/SHOW-VM-DEVICE-STATUS INF=*STD/*ALL` in the `DEV-TYPE` column or in the `S` variable `TYPE`.

Virtual console

It is advisable to operate guest systems via KVP consoles or logical consoles, see [page 102](#).

The operating strategy of VM2000 on SU /390 also provides for an emulation of the guest system console by the VM2000 hypervisor, see [section “Operating the guest systems\(VC dialog via \\$VMCONS\)” on page 114](#).



Virtual consoles must be assigned to the VM explicitly (`TYPE=*VC`). The attribute `ASSIGN-BY-GUEST=*YES` cannot be set for virtual consoles.



On SU x86 virtual consoles (as generated devices) are not available. The VC dialog via `$VMCONS` is nevertheless possible.

Dummy tape devices

Dummy tape devices defined by systems support are used as backup devices in tape device management in BS2000. The attribute `ASSIGN-BY-GUEST=*YES` should not be set for them for implicit device assignment. The device can thus be attached in several guest systems simultaneously (`/ATTACH-DEVICE`) without being assigned to the VM. No inputs/outputs are executed by users to dummy tape devices.

Communication devices

To connect a guest system to a local area network (LOCLAN / ZASLAN / BRGLAN) and/or to a wide area network (WAN), the same options are available as for native operation.

For details on how to configure the communication devices, see [section “BS2000 devices connected to SU x86” on page 50](#).

Snap units (virtual devices)

Snap units are virtual devices of the disk storage systems. They create a “Copy on Write” copy of a disk. A copy of this type enables the original disk to be restored.

Snap units are configured/generated in the disk storage system and when the Server Unit hardware is generated (using IOGEN (SU /390) or in X2000 (SU x86)).

VM2000 detects snap units in Symmetrix and ETERNUS DX S2 disk storage systems.

All snap units detected by VM2000 are marked with an “S” in the `S` column of the information output for `/SHOW-VM-DEVICE-STATUS`. This command can also be used to search specifically for snap units.



Snap units in other disk storage systems are not always recognized by VM2000 and flagged in the information output.

Modern disk storage systems (e.g. ETERNUS DX S3) also offer snap functionality without dedicated snap units. The implicit allocation of snapsets described below can still be used in VM2000.

Guest systems can use snap units in two variants:

- Using Snapsets

A Snapset is a backup copy of a pubset which was created on snap units in the disk storage system. Each pubset disk corresponds to a snap unit. Snapsets are managed using BS2000 commands (e.g. `/RESTORE-FROM-SNAPSET`). Snap units are automatically selected for creating Snapsets by BS2000. Snap units are attached automatically when the pubset is imported and, under VM2000, implicitly assigned to the VM.

Under VM2000 the `AUTO-SNAP-ASSIGNMENT` privilege enables the guest system to implicitly assign itself snap units of a Snapset on a VM without the VM and device having to be prepared for the implicit device assignment (i.e. no `ASSIGN-BY-GUEST` privilege or attribute for the VM and device).

By default, a VM is assigned the `AUTO-SNAP-ASSIGNMENT` privilege when it is initialized (see [page 135](#)). The privilege is displayed with `AS` in `/SHOW-VM-ATTRIBUTES/-RESOURCES INFORMATION=*PRIVILEGES`.



`/CREATE-/MODIFY-VM-DEFINITION` enables the `AUTO-SNAP-ASSIGNMENT` privilege to be entered for a VM in the VM definition. Detailed information can be found in the section [“Working with VM definitions” on page 200](#).

- Snap session via SHC-OSD

In snap sessions under SHC-OSD, snap pairs (original unit and snap unit) are created by assigning one snap unit to each device which is to be mirrored. A corresponding number of snap units can also be assigned to a pubset (or to the pubset devices). Snap units can also be selected automatically (`*AUTO-SELECT` operand value).

Under VM2000 the snap units of a snap session via SHC-OSD must always satisfy the conditions for implicit device assignment or be assigned explicitly to the VM.

Emulated disk devices on a Management Unit (MU, SU /390)

It is possible to generate emulated disks for SU /390 on an MU (as with emulated local disks on SU x86). These disks are used for an initial BS2000 installation or for a BS2000 emergency system. VM2000 detects these special disk devices and prevents their shared use (usage mode `SHARED`). During a VM Migration, BS2000 automatically detaches them in the guest system (like disk devices and alias devices).

6.4.4 Shared disk devices

VM2000 supports SPVS mode (SPVS=Shared Pubset) of disks.

When the software product HIPLEX MSCF and a corresponding configuration of the BS2000 servers are used, simultaneous access to a shareable pubset is possible via several BS2000 servers (see the “HIPLEX MSCF” manual [10]).

Depending on whether the virtual machines wishing to share disks are set up on the same Server Unit or are distributed across several BS2000 servers in a multiprocessor network, the VM2000 administrator must take different measures which are described on the pages below.

In a multiprocessor network, not only Server Units with or without VM2000 operation can execute, but also other BS2000 servers with or without VM2000 operation which wish to work with shareable disks.

The term **BS2000 server** in this section refers to a BS2000 system irrespective of whether it runs on a Server Unit /390 or x86 (on the same SE server or on different SE servers) or on an S or SQ server.

At most 16 BS2000 servers can work simultaneously with a shared pubset.

Input/output handling for shared disks

See [page 331](#).

Sharing of disks by several VMs on one Server Unit

The shared use of a disk device by different VMs on one Server Unit is initiated by implicit or explicit device assignment to the VM in `SHARED` usage mode, see [page 330](#) (e.g. with `/ADD-VM-DEVICES . . . ,TYPE=*SD`). The `SHARED` usage mode is retained at `/SWITCH-VM-DEVICES`.

Desired configuration:

VMx and VMy wish to use the disk devices D1, D2 and D3 for SPVS mode.

Action to be taken by the VM2000 administrator:

Disk devices D1 through D3 must be assigned to each VM as shareable, e.g. with the commands:

```
/ADD-VM-DEVICES UNITS=(D1,D2,D3),VM-ID=VMx,TYPE=*SD
```

```
/ADD-VM-DEVICES UNITS=(D1,D2,D3),VM-ID=VMy,TYPE=*SD
```

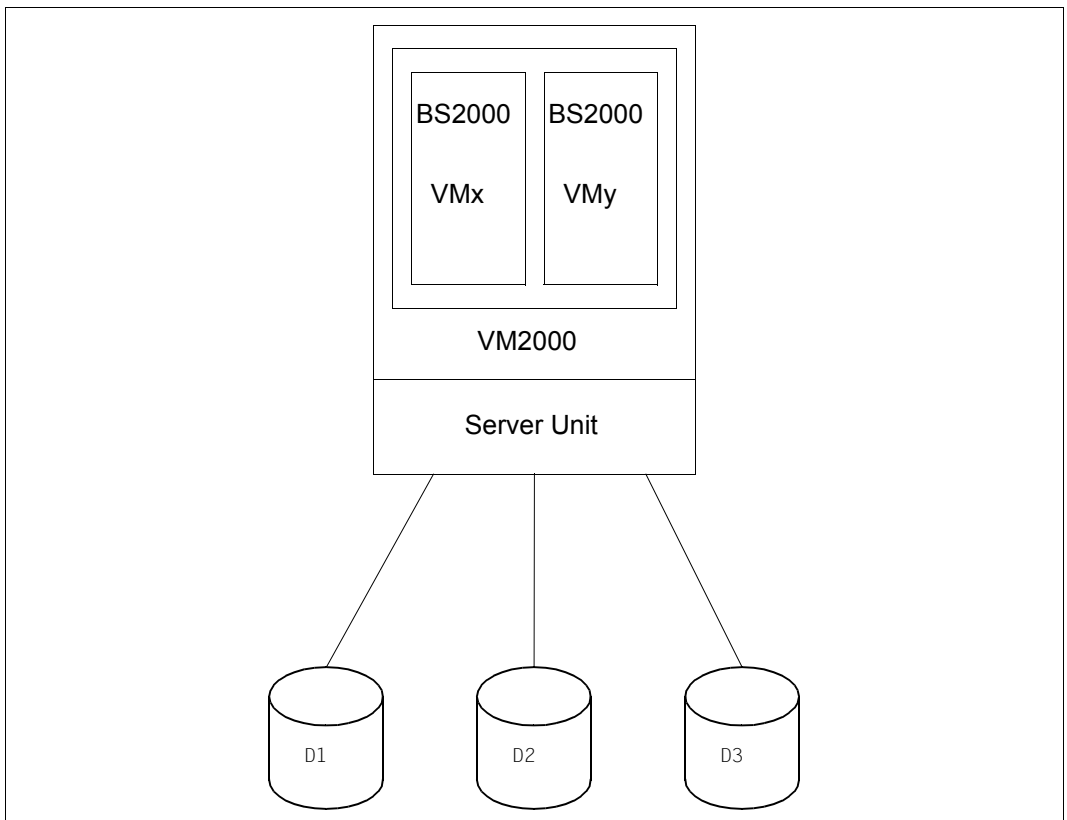


Figure 20: Sharing of disks by several VMs on one Server Unit

Sharing of disks in a VM2000 multiprocessor network

In a multiprocessor environment, several BS2000 servers with VM2000 are operated in parallel. Each BS2000 system can access shared peripheral devices. The BS2000 systems run as guest systems under VM2000.

The following configurations may be possible:

a) Desired configuration:

On BS2000 server 1 only VMm and on BS2000 server 2 only VMy wish to use disk devices D1, D2 and D3 for SPVS mode (see [figure 21 on page 377](#)).

Action to be taken by the VM2000 administrator:

Disk devices D1 through D3 should be assigned to VMm and VMy **exclusively** with the command:

```
/ADD-VM-DEVICES UNITS=(D1,D2,D3),VM-ID=VMm,TYPE=*NONE
/ADD-VM-DEVICES UNITS=(D1,D2,D3),VM-ID=VMy,TYPE=*NONE
```

b) Desired configuration:

On BS2000 server 1 only VMm and on BS2000 server 2 both VMs wish to use disk devices D1, D2 and D3 for SPVS mode (see [figure 21 on page 377](#)).

Action to be taken by the VM2000 administrator:

- Disk devices D1 through D3 should be assigned to VMm **exclusively** with the command:

```
/ADD-VM-DEVICES UNITS=(D1,D2,D3),VM-ID=VMm,TYPE=*NONE
```

- Disk devices D1 through D3 must be assigned to both VMs (VMx and VMy) as **shareable**, e.g. with the command:

```
/ADD-VM-DEVICES UNITS=(D1,D2,D3),VM-ID=VMx,TYPE=*SD
/ADD-VM-DEVICES UNITS=(D1,D2,D3),VM-ID=VMy,TYPE=*SD
```

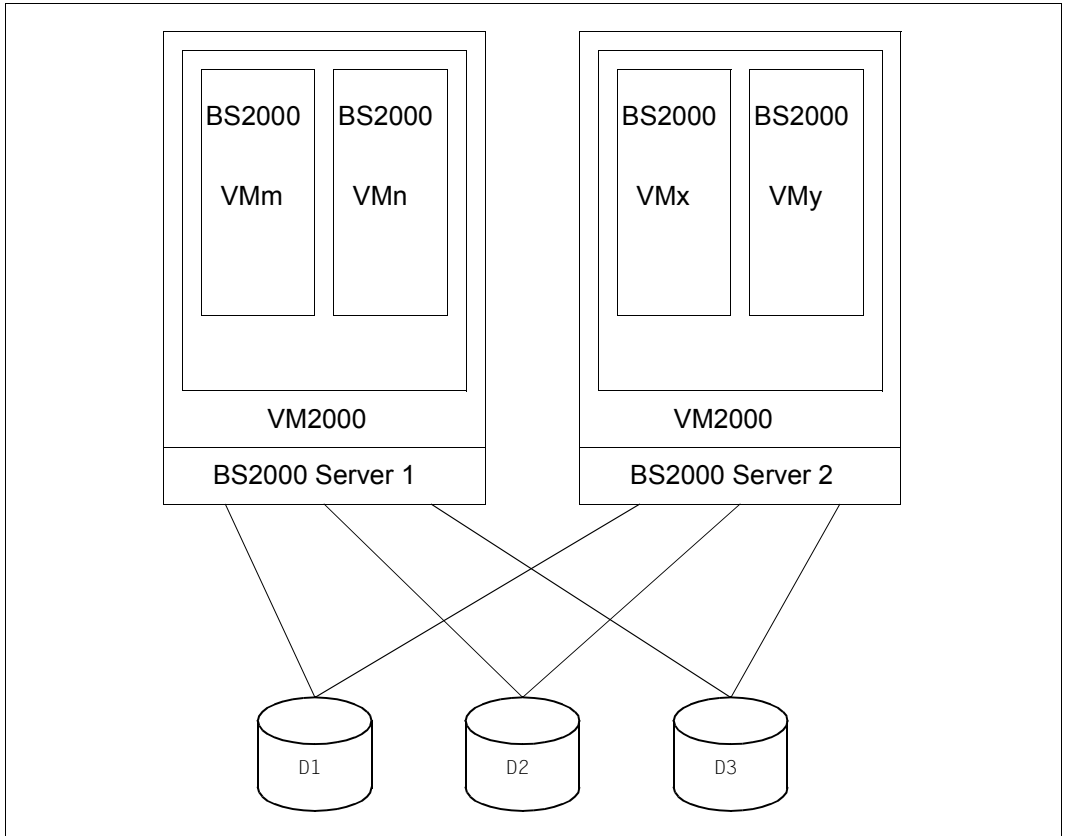



Figure 21: Sharing of disks by VMs on different BS2000 servers

Sharing of disks in a mixed multiprocessor network

This section applies to configurations that meet the following **general** criteria:

- SPVS mode between several BS2000 systems on different servers of different server series
- At least one of the BS2000 systems active in SPVS mode is running as a guest system under VM2000
- At least one of the BS2000 systems active in SPVS mode is running in native mode

Example of a mixed multiprocessor network

The [figure 22 on page 379](#) shows an example of a configuration of the Fibre Channel peripherals in which, in addition to a native-mode BS2000 system, two other BS2000 servers (on each of which several BS2000 systems are running as guest systems under VM2000) access shareable disk devices.

Desired configuration:

On BS2000 server 1 only VMm and on BS2000 server 2 both VMs wish to use disk devices D1, D2 and D3 for SPVS mode. On BS2000 server 3 a BS2000 system is operated without VM2000, and, together with the VMs on the other BS2000 servers, it wishes to use the disks for SPVS mode.

Action to be taken by the VM2000 administrator:

- Disk devices D1 through D3 should be assigned to VMm on BS2000server 1 **exclusively** with the command:

```
/ADD-VM-DEVICES UNITS=(D1,D2,D3), VM-ID=VMm, TYPE=*NONE
```
- Disk devices D1 through D3 must be assigned to both VMs (VMx and VMy on BS2000 server 2) as **shareable**, e.g. with the command:

```
/ADD-VM-DEVICES UNITS=(D1,D2,D3), VM-ID=VMx, TYPE=*SD
/ADD-VM-DEVICES UNITS=(D1,D2,D3), VM-ID=VMy, TYPE=*SD
```
- BS2000 on BS2000 server 3 acts like a BS2000 in the native network (see also the “HIPLEX MSCF” manual [10]).

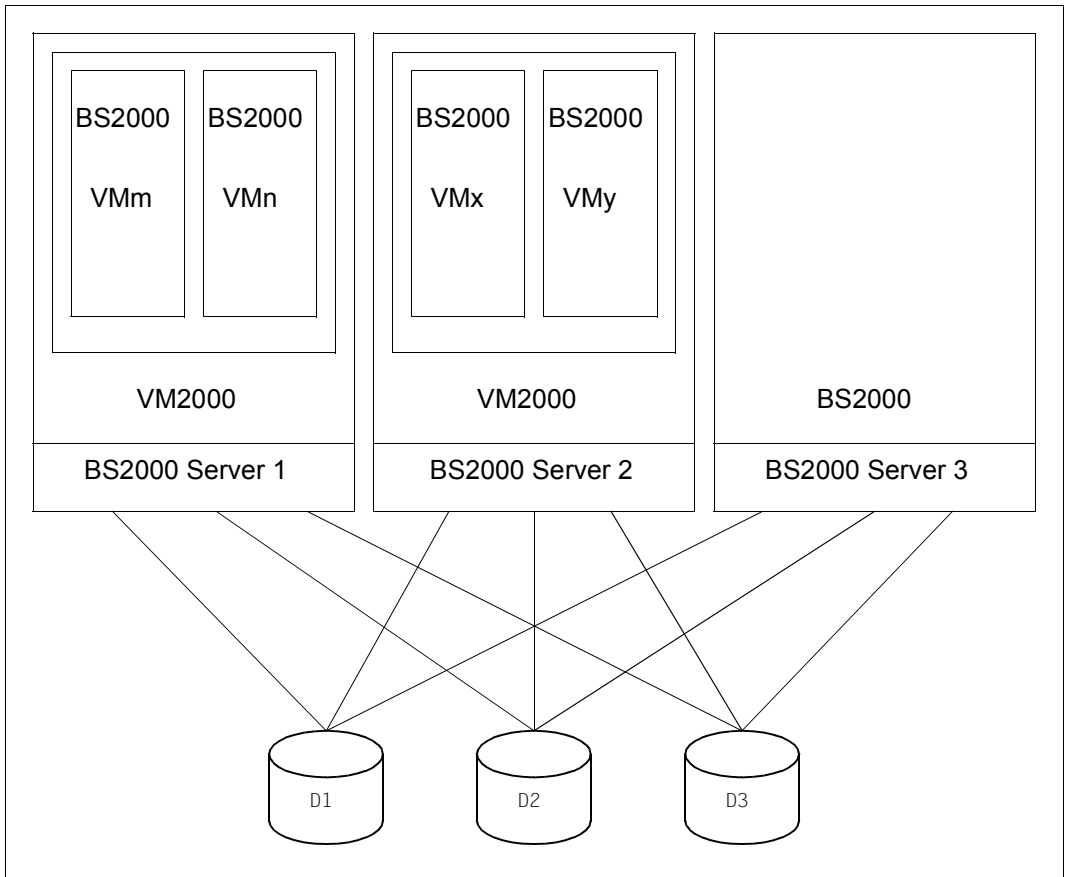


Figure 22: Sharing of channel disks in the mixed multiprocessor network

6.4.5 Parallel access volume (PAV, SU /390)

Input/output requests of different applications to the same device are generally serialized. Input/output requests that come later have to wait until the previous input/output is completed. Up to now it has only been possible to improve performance in this respect by means of appropriate data organization on different data carriers.

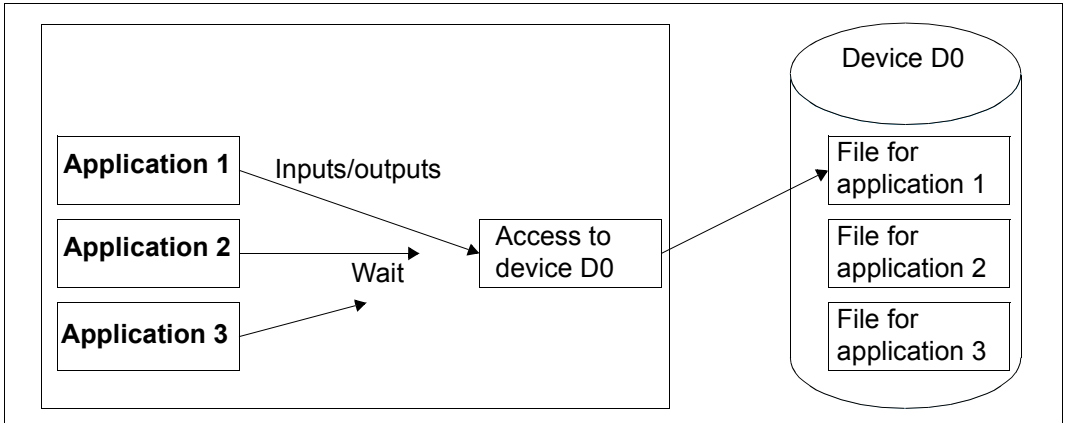


Figure 23: Applications with input/output load on one device (serialized)

For all disk storage systems operated via Fibre Channel, BS2000 OSD/BC offers the function Parallel Access Volume (PAV) which enables multiple I/Os to a disk device (a logical volume) to be performed in parallel.

x86 PAV devices are not available on SU x86. The inputs/outputs there are automatically parallelized by X2000.

A PAV device consists of a real **base device** (BASE) with up to seven **alias devices** (ALIAS).

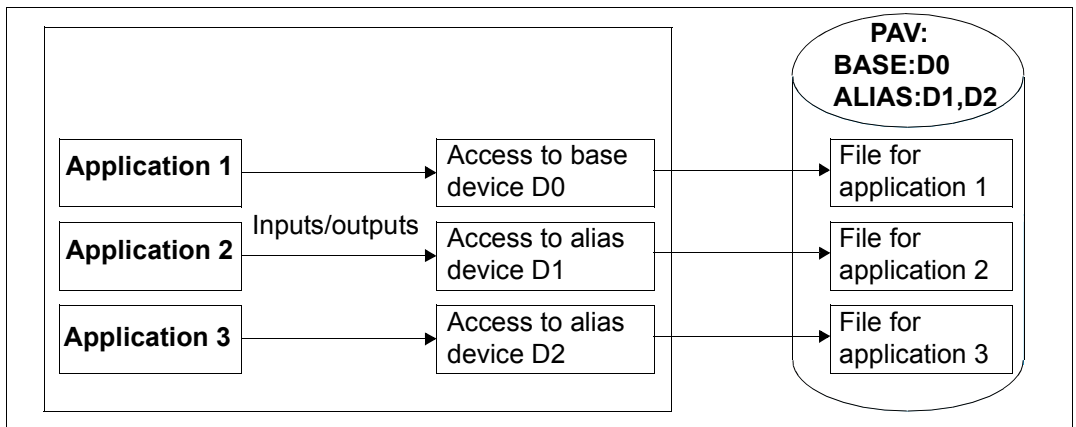


Figure 24: Applications with input/output load on one device (parallel access volume)

Further information on PAV is provided in the “Introduction to System Administration” [2].

(Static) PAV in native operation

PAV can be used on the channel for disk devices of the type D3435 in FBA format.

Here the PAVs are set up only when the IO configuration data is generated (DVC statement of IOGEN). The PAV properties are detected by the operating system from the device's generation data. Changes to the PAV structure require generation to be performed again or dynamic modification of the IO configuration, see [page 383](#).

At hardware generation (see the “System Installation” manual [1]), the base device and alias devices are generated as independent devices of the same type with the same Logical Unit Numbers but different unit addresses and mnemonic device names on the same controller.

When the base device is attached, BS2000 automatically attaches the associated alias devices. After the base and alias devices have been attached, I/Os for the PAV can be processed in parallel via base and alias devices. Device assignment in the guest system continues to apply only for the base device. I/Os are issued to the base device by the applications. The operating system controls execution via the base or alias device.

The BS2000 command `/SHOW-DEVICE-CONFIGURATION INFORMATION=*PAV` provides information on PAVs.

(Static) PAV under VM2000

PAVs can be used under VM2000 for the monitor system and the guest systems.

The base device can be assigned to a VM explicitly or implicitly (see [page 324](#)).

Alias devices are always assigned to a VM implicitly, regardless of the `ASSIGN-BY-GUEST` setting, if the base device is attached in the guest system. Explicit assignment of alias devices is rejected.



If a device (alias device) has been assigned to a VM explicitly because the “alias device” property cannot be detected, this assignment is reversed as soon as it is detected (message `VMS4192`).

Alias devices always have the same usage mode as the associated base device. The usage mode of a base device can be changed with `/MODIFY-VM-DEVICE-USAGE USAGE=*SHARED/*EXCLUSIVE` (the usage mode of its alias devices thus changes as well).

For information on I/Os for shared devices, see also [page 331](#).

An (implicitly or explicitly assigned) base device can be detached from a VM explicitly. In implicit release, the base device is released by the guest system (see [page 328](#)). Alias devices are released automatically with the base device. Explicit removal of alias devices is rejected.

You can obtain information on PAVs under VM2000 by means of `/SHOW-VM-DEVICE-STATUS`. The `PAV-ATTRIBUTE` operand lets you control the selection of PAVs. The `INFORMATION=*PAV` operand displays the PAV structure for the relevant device.

In order to obtain as even a distribution of I/Os as possible for shared disks under VM2000, the operating system in the guest systems prefers the base device or a special alias device. The selection is made via the VM index. Preferred base or alias devices can also be defined explicitly in each guest system by means of the BS2000 command (see [page 245](#))
`/MODIFY-IO-UNIT UNIT=*DEVICE(NAME=...,STATE=*PAV-PREFERRED-DEVICE(...))`

Dynamic PAV in native operation

Static PAV, as described above, requires careful planning of future device utilization. When generation in BS2000 takes place, it must be borne in mind that a separate address is required for each alias device.

Dynamic PAV (the IORM function DPAV, see [page 392](#) and the “Utility Routines” manual [3]) requires fewer alias devices. As with static PAV, alias devices must be generated, but it is not necessary to provide the maximum number of alias devices required for each volume in advance. DPAV autonomously assigns alias devices to those volumes which profit from this the most.



The IORM function DPAV is offered on the SU /390 for disk devices on the channel in native mode and under VM2000.

Dynamic PAV under VM2000

DPAV under VM2000 requires the IORM subsystem in the monitor system.

When a bottleneck occurs for a PAV device in a guest system, the IORM subsystem in the guest system requests the IORM subsystem in the monitor system to coordinate and execute the following actions:

1. Search for the alias device which is utilized least.
2. Request all BS2000 guest systems to detach the selected alias device.
Here the alias device is removed from the VM because an alias device is only implicitly assigned to a VM.
3. Assign the selected alias device to the new base device by means of a dynamic modification of the configuration (`/REMOVE-IO-UNIT`, `/ADD-IO-UNIT`).
4. Inform all BS2000 guest systems of the new assignment.
In this case the newly configured alias device is also attached, and consequently implicitly assigned to its own VM, in the guest systems in which the base device is attached.

Example of the use of (static) PAV under VM2000

In this example a base device is assigned to the monitor system. The base device is attached and then detached again in the monitor system.

```

/show-vm-device-status units=*std,information=*pav,
                        select=*par(state=*disposable,pav-attribute=*base)  (1)
UNIT DEV-TYPE PAV  S ASSIGN-SET  USAGE VM-ID/(#VM) ASSIGNED-BY
2300 STDDISK  BASE  _____ (2)
      (BASE: 2300; ALIAS: 2310,2320,2330)
2301 STDDISK  BASE
      (BASE: 2301; ALIAS: 2311,2321,2331)
2302 STDDISK  BASE
      (BASE: 2302; ALIAS: 2312,2322,2332)
2303 STDDISK  BASE
      (BASE: 2303; ALIAS: 2313,2323,2333)
2304 STDDISK  BASE
      (BASE: 2304; ALIAS: 2314,2324,2334)
2305 STDDISK  BASE
      (BASE: 2305; ALIAS: 2315,2325,2335)
... (output abbreviated)
5400 STDDISK  BASE
      (BASE: 5400; ALIAS: 540C)
/add-vm-devices units=2300,vm-id=monitor _____ (3)
VMS4005 DEVICE '2300' ASSIGNED TO VIRTUAL MACHINE (1,MONITOR)
/show-vm-device-status units=23*,information=*pav,
                        select=*par(state=*assigned(vm-id=monitor))  (4)
UNIT DEV-TYPE PAV  S ASSIGN-SET  USAGE VM-ID/(#VM) ASSIGNED-BY
2300 STDDISK  BASE                EXCL  1 MONITOR  VM-ADMIN
      (BASE: 2300; ALIAS: 2310,2320,2330)

```

- (1) The VM2000 queries which base devices are free. Detailed information is to be displayed on the configuration of the PAVs (base and alias devices).
- (2) The list of free base devices and their alias devices is output.
- (3) The base device 2300 is assigned explicitly to the monitor VM.
- (4) The VM2000 administrator displays all devices whose mnemonic names begin with 23 and are assigned to the monitor VM. Only the base device 2300 is currently assigned.


```

***
*** Guest system operation on the monitor VM:
*** /attach-device unit=2300 _____ (5)
*** NKRO042 'DEVICE      =2300': ATTACH ACCEPTED
*** NKRO042 'DEVICE      =2300': ATTACHED
*** NKRO042 'DEVICE      =2310': ATTACH ACCEPTED _____ (6)
*** NKRO042 'DEVICE      =2320': ATTACH ACCEPTED
*** NKRO042 'DEVICE      =2330': ATTACH ACCEPTED
*** NKVD010 DISK 'PF1.00' MOUNTED ON DEVICE '2300'
*** NBR0740 COMMAND COMPLETED 'ATTACH-DEVICE';
***          (RESULT: SC2=000, SC1=000, MC=CMD0001); DATE: <date>
*** NKRO073 ALIAS DEVICE '2310' LINKED TO BASE DEVICE '2300'
*** NKRO073 ALIAS DEVICE '2320' LINKED TO BASE DEVICE '2300'
*** NKRO073 ALIAS DEVICE '2330' LINKED TO BASE DEVICE '2300'
*** NKRO040 'DEVICE      =2310' ATTACHED
*** NKRO040 'DEVICE      =2320' ATTACHED
*** NKRO040 'DEVICE      =2330' ATTACHED
***
% VMS4005 DEVICE '2310' ASSIGNED TO VIRTUAL MACHINE (1,MONITOR)
          (BY GUEST) _____ (7)
% VMS4005 DEVICE '2320' ASSIGNED TO VIRTUAL MACHINE (1,MONITOR) (BY GUEST)
% VMS4005 DEVICE '2330' ASSIGNED TO VIRTUAL MACHINE (1,MONITOR) (BY GUEST)

```

```

/show-vm-device-status units=23*,information=*pav,
                        select=*par(state=*assigned(vm-id=monitor))
UNIT DEV-TYPE PAV    S ASSIGN-SET  USAGE VM-ID/(#VM) ASSIGNED-BY
2300 D3435    BASE      EXCL  1 MONITOR  VM-ADMIN
      (BASE: 2300; ALIAS: 2310,2320,2330)
2310 D3435    ALIAS      EXCL  1 MONITOR  GUEST _____ (8)
      (BASE: 2300; ALIAS: 2310,2320,2330)
2320 D3435    ALIAS      EXCL  1 MONITOR  GUEST
      (BASE: 2300; ALIAS: 2310,2320,2330)
2330 D3435    ALIAS      EXCL  1 MONITOR  GUEST
      (BASE: 2300; ALIAS: 2310,2320,2330)

```

- (5) The base device is attached in the monitor system.
- (6) The alias devices are thus assigned and attached to the monitor VM implicitly.
- (7) VM and VM2000 administrators are informed about the implicit device assignment by asynchronous messages.
- (8) The VM2000 administrator repeats the command from (4). Now the alias devices are assigned implicitly to the monitor VM with the same usage mode.

```

/show-vm-attributes vm-id=monitor,information=*units _____ (9)
VM-ID          UNITS
 1 MONITOR     ASSIGNED BY VM-ADMIN
                EXCL:   C2,C3,V0,V1,2300,2430,2431,2432,2433
                SHARED: 22F4,22F5,22F6,22F7,58F2
                ASSIGNED BY GUEST
                EXCL:   2310,2320,2330
***
*** Guest system operation on the monitor VM:
*** /detach-device unit=2300 _____ (10)
*** NKRO092 'DEVICE      =2300': /DETACH-DEVICE PENDING ACCEPTED
*** NKRO045 *** 'DEVICE      =2300' DETACHED ***
*** NBRO740 COMMAND COMPLETED 'DETACH-DEVICE';
***           (RESULT: SC2=000, SC1=000, MC=CMD0001); DATE: <date>
*** NKRO074 ALIAS DEVICE '2310' UNLINKED FROM BASE DEVICE '2300' _____ (11)
*** NKRO074 ALIAS DEVICE '2320' UNLINKED FROM BASE DEVICE '2300'
*** NKRO074 ALIAS DEVICE '2330' UNLINKED FROM BASE DEVICE '2300'
*** NKRO045 *** 'DEVICE      =2310' DETACHED ***
*** NKRO045 *** 'DEVICE      =2320' DETACHED ***
*** NKRO045 *** 'DEVICE      =2330' DETACHED ***
***
% VMS4009 DEVICE '2310' REMOVED FROM VIRTUAL MACHINE (1,MONITOR)
                (BY GUEST) _____ (12)
% VMS4009 DEVICE '2320' REMOVED FROM VIRTUAL MACHINE (1,MONITOR) (BY GUEST)
% VMS4009 DEVICE '2330' REMOVED FROM VIRTUAL MACHINE (1,MONITOR) (BY GUEST)

/show-vm-device-status units=23*,information=*pav,
                select=*par(state=*assigned(vm-id=monitor)) _____ (13)
UNIT DEV-TYPE PAV   S ASSIGN-SET  USAGE VM-ID/(#VM) ASSIGNED-BY
2300 D3435   BASE                               EXCL 1 MONITOR VM-ADMIN
                (BASE: 2300; ALIAS: 2310,2320,2330)
/remove-vm-devices units=2300,vm-id=monitor
VMS4005 DEVICE '2300' REMOVED FROM VIRTUAL MACHINE (1,MONITOR)

```

- (9) /SHOW-VM-ATTRIBUTES provides a VM administrator with information on the devices of his or her VM.
- (10) The base device is detached again in the monitor system.
- (11) The alias devices are thus implicitly detached and released.
- (12) VM and VM2000 administrators are informed of the implicit device release by asynchronous messages.
- (13) Only the base device is assigned explicitly to the monitor VM.

6.4.6 Using the Highspeed Net Connect HNC (SU /390)

The Highspeed Network Connect HNC connects an SU /390 with different IP networks. The connection to the networks can be set up via the direct port on the HNC or via the Net Unit. The Net Unit offers a number of networks in the SE server. The HNC is a component of the SE server and is operated and managed via the SE Manager, see the “Operation and Administration” manual [19].

With one HNC, network connections to the monitor system and all other guest systems can be established under VM2000.

The data transfer between the various BS2000 guest systems of an SU /390 takes place in the HNC's internal network, without placing a load on private or customer networks.

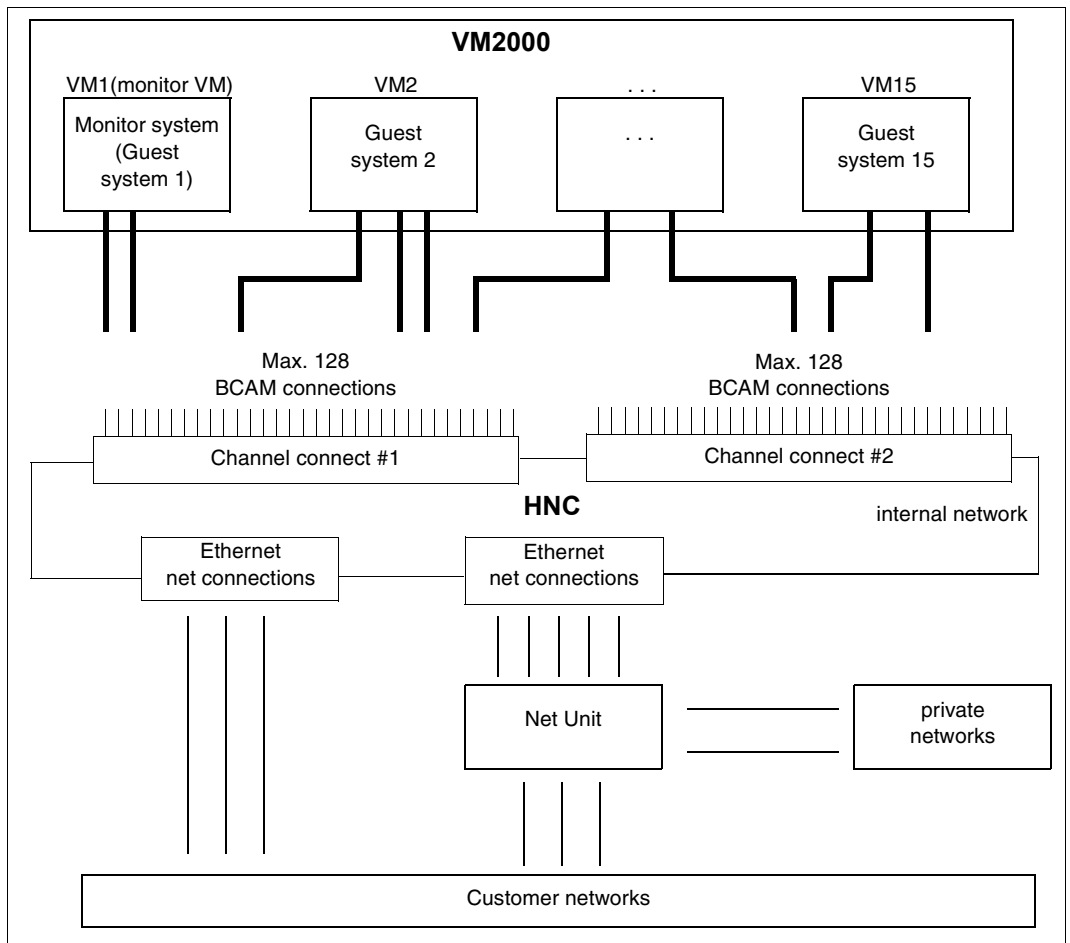


Figure 25: Using the HNC under VM2000

The HNC has 2 channel connects. On each channel connect, 128 BCAM network connections can be configured. Up to 4 HNCs can be connected on an SU /390, for example to set up redundant BCAM network connections. The HNC can be used to set up connections to different networks, e.g. client networks (DANPUx), SE private networks (DANPRxx) or the internal network (LOCLAN). For a successful connection, a BCAM line adapter must be defined for every guest system to the desired network and a corresponding address pair must be set up.

Specimen configuration

In the following example, such a configuration is assumed. The statements needed for installation, generation and assignment are shown.

Three Ethernet networks and the internal network are installed. Three guest systems are running under VM2000:

- The monitor system (MONIT in VM1)
- Two production systems (PROD1 in VM2, PROD2 in VM3)

An HNC is installed on two channels (channel connect #1 (C0) and #2 (C1)).

The assignment of the device address pairs to VMs, channel connects and networks can be seen from [figure 26 on page 389](#).

Example

The device address pair F0,F1 on channel connect #1 (C0) belongs to a monitor VM (monitor system) BCAM line adapter: F0,F1,(VM1,#1).

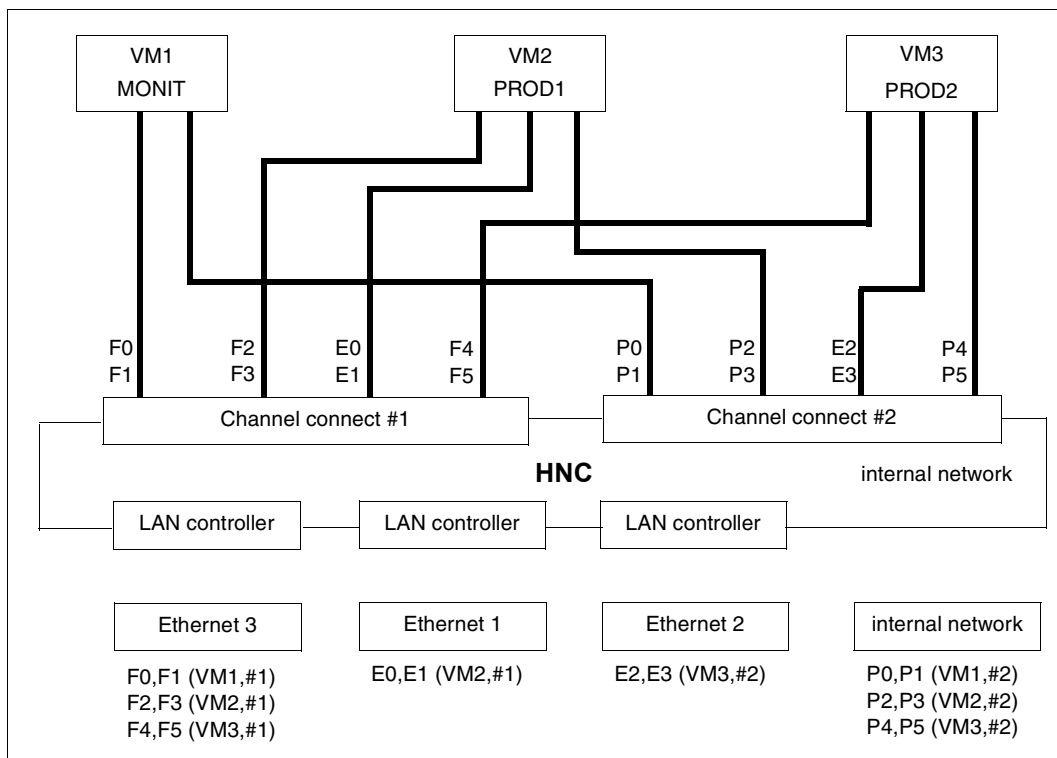


Figure 26: Specimen configuration for HNC

Installation of the specimen configuration

The device address pairs for the BCAM line adapters (assigning the network and a network address in each case) are set up by Customer Service when the HNC is installed.

Generation of the specimen configuration

To generate the monitor system and the guest systems the appropriate generation statements must be specified for the channel connects and for the device addresses. In the above example these must be specified as follows when they are connected to, for example, channel K0 and K1:

```
* Channel connect #1 of HNC
  CTL C0,,(K0,0)
* Channel connect #2 of HNC
  CTL C1,,(K1,0)
* ETHERNET3 via channel connect #1 (C0)
  DVC F0,6D,A,00,(C0)
  DVC F1,6D,A,01,(C0)
  DVC F2,6D,A,02,(C0)
  DVC F3,6D,A,03,(C0)
  DVC F4,6D,A,04,(C0)
  DVC F5,6D,A,05,(C0)
* ETHERNET1 via channel connect #1 (C0)
  DVC E0,6D,A,06,(C0)
  DVC E1,6D,A,07,(C0)
* Internal network via channel connect #2 (C1)
  DVC P0,6D,A,00,(C1)
  DVC P1,6D,A,01,(C1)
  DVC P2,6D,A,0C,(C1)
  DVC P3,6D,A,03,(C1)
  DVC P4,6D,A,04,(C1)
  DVC P5,6D,A,05,(C1)
* ETHERNET2 via channel connect #2 (C1)
  DVC E2,6D,A,06,(C1)
  DVC E3,6D,A,07,(C1)
```

The BCAM line adapters to the device address pairs must be defined by using the appropriate BCAM statements (SOF definitions) (see the "BCAM" manual [8]).

Assigning the specimen configuration to VM2000

The information for setting up the monitor VM is stored in the configuration file of the monitor VM. While it is not essential, the network peripherals of the monitor VM should also be assigned via the configuration file, as they are then automatically available and ATTACHED when BCAM is started. The following statement is required for this in the above example:

```
/ADD-VM-DEVICES UNITS=(F0,F1,P2,P3),VM-ID=MONIT
```

In the above example, the following statements will be output for the network configuration of the production systems after setting up the VMs:

```
/ADD-VM-DEVICES UNITS=(F2,F3,E0,E1,P2,P3),VM-ID=PROD1
```

```
/ADD-VM-DEVICES UNITS=(F4,F5,E2,E3,P4,P5),VM-ID=PROD2
```

6.4.7 Notes on configuration for VM2000 operation

In theory the peripheral devices belonging to a Server Unit can be freely distributed over the virtual machines. The following guidelines should be borne in mind when configuring the virtual machines:

Notes on configuration for all Server Units

- The operation of the guest system on a VM (operating) is normally carried out by means of BS2000 consoles (see [page 102](#)).

Alternatively guest systems can also be operated via \$VMCONS.

Notes on configuration for the SU x86

- In each guest system (and the monitor system as well) the configuration statuses of the KVP devices that are not used as a KVP console in the relevant guest system should be set to DETACHED via the startup parameter service (IOCONF parameter set, MODIFY-IO-UNIT statement). The KVP devices used in the guest system should remain ATTACHED (default).

Notes on configuration for the SU /390

- If all KVP devices for guest systems have been generated as DETACHED (recommended) during hardware generation, and there are also no redundant KVP devices (KVP devices of the redundant MU that are assigned to a VM but are not being used as an IPL console), the configurations statuses of the redundant KVP devices in every guest system should be set to ATTACHED in the startup parameter service (IOCONF parameter service, MODIFY-IO-UNIT statement).
- If different virtual machines are working with channel devices that are attached to **one** device controller, heavy I/O utilization of these devices may result in bottlenecks. To avoid this, all the devices attached to the same device controller should be assigned to **one** virtual machine wherever possible.
- Under VM2000, disk devices can be assigned to the VMs for shared use. If a disk device is shared by at least two VMs on an SU /390, all of the input/output traffic of the shared disk devices is coordinated by the VM2000 hypervisor. On SU /390 disk devices should therefore not be operated as shareable unnecessarily.

6.4.8 Use of IORM in VM2000 operation

The BS2000 utility routine IORM (IO Resource Manager) offers functions for autonomous, dynamic control of the input/output resources channel, controller, path and device:

- IOPT: I/O Priority handling for Tasks
- DPAV: Dynamic Parallel Access Volume
- DDAL: Optimized Dynamic Device Allocation in operation with the storage system ETERNUS CS
- TCOM: Dynamic Tape Compression
- IOLVM: I/O Limit for Virtual Machines

x86 The IORM functions DPAV and IOLVM have no relevance for SU x86.

During ongoing operation, IORM collects data on the utilization of the I/O resources and controls I/O operation in accordance with the specified threshold values.

You will find a detailed description of IORM in the “Utility Routines” manual [3].

IORM works on a cross-VM basis but not on a cross-Server Unit basis.

In VM2000 operation, IORM should be started on the monitor system and on all BS2000 guest systems. IORM is administered via the monitor system. The central data storage of IORM is also located there. The IORM subsystems on the monitor system and on the BS2000 guest systems communicate via an internal interface.

In VM2000 operation, the functions of IORM are used for selected VMs or they apply globally for all VMs on a Server Unit:

- IOPT
The IOPT function is enabled on the guest systems on which IOPT is to be active.
- DPAV (SU /390)
The DPAV function must be enabled on the monitor system and on the guest systems on which DPAV is to be active. The actual switchover of alias devices is coordinated and executed by DPAV on the monitor system, see [page 383](#).
- DDAL
This function extends the optimized (local) device selection in native mode to all guest systems of a Server Unit in VM2000 operation. For this purpose it is important that IORM is started on the monitor system and on all BS2000 guest systems and that the DDAL function is enabled on all of these.

- TCOM
The TCOM function is enabled on the guest systems on which TCOM is to be active.
- IOLVM (SU /390)
Less important but I/O-intensive guest systems can hinder other, more important guest systems. This can occur when the I/O-intensive guest systems execute I/Os on the same (logical) device. It also occurs when I/Os are executed on different (logical) devices which are located on the same physical device or are connected over the same paths or can be reached via the same ports or are connected to the same channels.

IORM uses the IOLVM function to specifically slow down I/O operations of the user's own guest system if I/O resources (channel, port, path, disk) of a disk device that are used jointly exceed the specific I/O limit for the guest system. The I/O limit is specified as a percentage value of the average I/O throughput of the jointly used I/O resource.

The I/O limit for IOLVM is defined as the maximum I/O utilization of the VM in the `MAX-IO-UTILIZATION` operand when the VM is initialized (see [page 135](#)) or with `/MODIFY-VM-ATTRIBUTES`.



`/CREATE-/MODIFY-VM-DEFINITION` enables the I/O limit for a VM to be entered in the VM definition. Detailed information can be found in the [section "Working with VM definitions" on page 200](#).

The IOLVM function is enabled on the guest systems on which IOLVM is to be active.

In the VM2000 information commands `/SHOW-VM-ATTRIBUTES` and `/SHOW-VM-RESOURCES` the `MAX-IO` column displays what value is set for the maximum I/O utilization of the VM. The display also indicates whether this value is effective, i.e. whether the IOLVM function has been enabled on the guest system.

Example

With the setting `MAX-IO-UTILIZATION=20`, IOLVM exerts control on the VM in the guest system when the I/O utilization exceeds 20% for a shared disk, for a path, for a port or for a channel.

6.4.9 Dynamic I/O configuration modification

6.4.9.1 Changing the configuration of channel devices using BS2000 (SU /390)

On SU /390, the input/output configuration of the channel peripherals can be changed during operation (dynamically). In other words, additions, changes or reductions can be made to the existing configuration without having to reload the system (IMPL). The changes are executed immediately on the active IOCF (IORSF) of the Server Unit and thus take effect immediately.

x86 No channels are available on SU x86.

The system administrator starts dynamic I/O configuration modification with the command `/START-CONFIGURATION-UPDATE`. When this initiation is successfully concluded, the system administrator can change the I/O configuration dynamically with the commands `/ADD-IO-UNIT`, `/REMOVE-IO-UNIT` and `/MODIFY-IO-UNIT`.

Dynamic I/O configuration modification is concluded with the `/STOP-CONFIGURATION-UPDATE` command.

For more information on dynamic I/O configuration modification, which also applies to use under VM2000, see the “Introduction to System Administration” [2].

Dynamic I/O configuration modification via VM2000

Under VM2000 the commands for dynamic I/O configuration modification can only be entered in the monitor system. The `/START-CONFIGURATION-UPDATE` command is rejected if a guest system is in the startup phase or in a VM Migration. On the other hand, a guest system cannot be started (`/START-VM`) or migrated (`/MIGRATE-VM`) while dynamic I/O configuration modification is active.

When `/START-CONFIGURATION-UPDATE` is entered, message `NKR0180` indicates how many guest systems are active and how many of them support dynamic I/O configuration modification.

The added devices are detected automatically by VM2000 and made known to all the active guest systems. The VM2000 administrator is informed of this by message `VMS4065` and can then assign the new devices with `/ADD-VM-DEVICES`. The new devices must be attached in the guest system with `/ATTACH-DEVICE` before they can be operated in the current session. Guest systems that are started after dynamic I/O configuration modification recognize the new configuration automatically.

Changes to the configuration are automatically incorporated into the configuration descriptions of the monitor system and all guest systems.

The devices to be removed must not be assigned to a VM. The removed devices (`/REMOVE-IO-UNIT`) are also removed automatically from the configuration description of the active guest systems. The VM2000 administrator is informed of this by message `VMS4066`.

If a controller with several channel paths is to have a path changed with `/MODIFY-IO-UNIT`, the relevant path must be removed from **all** guest systems beforehand with `/REMOVE-DEVICE-CONNECTION`. This removal is facilitated by global reconfiguration in monitor system (see [page 308](#)).

The information commands of VM2000 and of the device management facility in BS2000 provide information on the current configuration.

6.4.9.2 Changing the configuration of devices via X2000 (SU x86)

The configuration of the devices managed on the SU x86 by X2000 can be changed during ongoing VM2000 operation using the SE Manager, see the “Operation and Administration” manual [19].

1. Adding new devices

When it has been physically connected, the new device is defined and parameterized. The new device is reported by X2000 and is automatically recognized by VM2000, the monitor system and all guest systems. The VM2000 administrator is informed of this with the message `VMS4065`. The VM2000 administrator can then assign the new device to a VM, e.g. with `/ADD-VM-DEVICES`.

2. Changing device properties

When use of the device concerned has been prohibited in all guest systems by detaching it with `/DETACH-DEVICE`, the device properties can be changed. In this case the device must be removed from the VM only if its mnemonic device name changes. When the device properties have been changed, the device can be attached again to the guest system with `/ATTACH-DEVICE`.

3. Removing devices

The device concerned should be detached from all guest systems beforehand and removed from the VM with `/REMOVE-VM-DEVICES`. The relevant device is made invalid in the configuration of VM2000, in the monitor system and all guest systems.



The adding and removing of devices is immediately taken into account by the monitor system and all active guest systems.

6.4.9.3 Changing the configuration of devices in the disk storage system

When the configuration of a disk storage system is changed by Customer Service, none of the devices involved may be assigned to a VM.

6.4.10 Checking and updating of the VM2000 disk configuration (SU /390)

The VM2000 disk configuration can also change during ongoing VM2000 operation, e.g. by adding new or reconfiguring existing disk devices. Therefore, checking and updating the VM2000 disk configuration may become necessary even after starting VM2000.

In the following cases, VM2000 automatically checks and updates the disk configuration of affected disk devices:

- a dynamic I/O configuration modification (see [section “Dynamic I/O configuration modification” on page 394](#))
- every exclusive assignment of a disk device to a VM or an assignment of a shareable disk device to the first VM using `/ADD-VM-DEVICES`
- a request for the hardware data of a disk device by a guest system (for SHC-OSD), if the device is yet unknown in VM2000

In some cases, VM2000 is unable to check the disk configuration automatically.

In VM2000 V11.5 and higher, the VM2000 administrator can manually check and update the VM2000 disk configuration with the `/CHECK-VM-DISK-CONFIGURATION VM2000` command, see [page 461](#).

In the following cases, it can be helpful to check and update the VM2000 disk configuration manually with `/CHECK-VM-DISK-CONFIGURATION`:

- When VM2000 is started, there are already disk devices defined in the IOCF (IORSF) but not configured in the disk storage system. These disk devices can be configured in the disk storage system at a later point.
- Free devices in the disk storage system have been reconfigured there and they have probably received different internal device numbers.

In both cases, `/CHECK-VM-DISK-CONFIGURATION` identifies the most recent hardware data and the PAV configuration of these disk devices and then updates the VM2000 disk configuration. These devices do not have to be assigned to a VM.

`/CHECK-VM-DISK-CONFIGURATION` initiates checking the VM2000 disk configuration (VMS4910 message). The VM2000 hypervisor checks the data of all generated disk devices and updates the data of the VM2000 disk configuration. The completion of the check is reported asynchronously to the VM2000 administrator and the console of the monitor system with the VMS4912 message.

In the above two cases, transfer of the correct hardware data to SHC-OSD is only ensured with `/CHECK-VM-DISK-CONFIGURATION`.

6.5 Backing up and restoring the VM2000 configuration

By saving the current VM2000 configuration, the VM2000 administrator is able to restore the saved VM2000 configuration after a (re-)start of the whole VM2000 system.

It is consequently no longer necessary to write or adapt a suitable procedure file with VM2000 commands to configure the VM2000 configuration.

The backup of a VM2000 configuration can also be used to restore the VM2000 configuration on another Server Unit (e.g. a backup) on which no BS2000 guest systems run except the monitor system.

6.5.1 Backing up a VM2000 configuration

The VM2000 administrator can create the backup of a VM2000 configuration using the `/SAVE-VM-CONFIGURATION` command (see [page 572](#)).

In this case the components of the VM2000 configuration are stored in a backup file on the monitor system's home pubset, see [section "Backup file for a VM2000 configuration" on page 401](#).

Some components of the VM2000 configuration are not backed up, see [section "VM2000 components not backed up" on page 405](#).

Persistent VMs are not saved because their persistent VM definitions are also available after the Server Unit has been rebooted and can be reactivated with `/ACTIVATE-VM-DEFINITION`. For each persistent VM a warning (`VMS4817`) is issued in the case of `/SAVE-VM-CONFIGURATION`.

A VM2000 configuration can only be backed up successfully if the prerequisites described below are satisfied at command entry time:

- No VM may be in the IN HOLD (WAIT) status
- All VMs in the RUNNING status must have reached SYSTEM READY
- Memory reconfiguration may not be in progress
- VM Migration may not be in progress

Otherwise the command is rejected.

When the prerequisites are fulfilled and there is an attached extra-CPU, the warning message `VMS4814` is issued. This is used to indicate that (chargeable) extra CPUs will be attached when the backup is read in.

6.5.2 Modifying the backup of a VM2000 configuration

The backup file in which a VM2000 configuration is stored can be edited using conventional editors. However, this is not recommended owing to the complexity of the file.

If you nevertheless want to edit the file, the directory with the start and end tags must be retained with the value ranges it supports. See also the [section “Structure of the contents” on page 401](#).

The dependencies which can exist between components of the VM2000 configuration must also be borne in mind.

Errors and inconsistencies in editing can result in it not being possible to execute `/RESTORE-VM-CONFIGURATION` (or only partially).

6.5.3 Restoring a VM2000 configuration

The VM2000 administrator can restore a VM2000 configuration using the `/RESTORE-VM-CONFIGURATION` command (see [page 568](#)).

In this case the components of the VM2000 configuration are restored from a backup file which was created beforehand on the monitor system's home pubset with `/SAVE-VM-CONFIGURATION`.

Components of the VM2000 configuration which were not backed up (see [section “VM2000 components not backed up” on page 405](#)) must, if necessary, be restored manually.

A VM2000 configuration can only be restored successfully if the prerequisites described below are satisfied at command entry time.

If one of the prerequisites is not fulfilled, the command is rejected or continued. The consequences of continuing the command are described in the various prerequisites.

Prerequisites:

- The current VM2000 version must be greater (younger) than or equal to the backed-up VM2000 version

If the current VM2000 version is less (older) than the backed-up VM2000 version, the backed-up VM2000 configuration could contain components which are not known in the current (older) VM2000 version.

- The current real main memory must be at least as large as at the time of the backup
Otherwise the warning message VMS4811 is output and processing is continued. If during further processing a VM cannot be configured because of a lack of main memory, the message VMS4803 is output for this VM.
- Prerequisites for the real CPUs:
 - The number of operable normal CPUs (ATT or DET status) must be at least as high as at the time of the backup
Otherwise two cases are distinguished:
 1. If the backup contains not only the CPU pool *STDP00L but also another VM2000 CPU pool, the command is rejected with the message VMS4812.
 2. If in addition to the CPU pool *STDP00L the backup contains no other VM2000 CPU pool, the warning message VMS4813 is output and processing is continued. If during further processing a VM cannot be configured again because the multiprocessor level is too high, the message VMS4803 is output for this VM.
 - The number of operable extra CPUs must be at least as high as at the time of the backup.
Otherwise two cases are distinguished:
 1. If the backup contains not only the CPU pool *STDP00L but also another VM2000 CPU pool, the command is rejected with the message VMS4812.
 2. If in addition to the CPU pool *STDP00L the backup contains no other VM2000 CPU pool, the warning message VMS4813 is output and processing is continued.
- Only the static CPU pools may exist
- No VM groups may exist
- Only the standard assignment set may exist
- No BS2000 VMs except the monitor VM may be configured on the system
- The VM name of a VM from the backup may not be the same as the VM name of an existing persistent VM definition

- Prerequisites for the current monitor VM:
 - Memory reconfiguration may not be in progress
 - In the backed-up configuration the VM name of the current monitor VM is not assigned to any other VM than the monitor VM
Otherwise the warning message VMS4816 is output and processing is continued. If in the course of further processing a VM cannot be configured because of the VM name, message VMS4803 is output for this VM.
 - On SU /390 the location of the current monitor VM may not hinder the configuration of a backed-up VM (the location of the current monitor VM can change as a result of the changed size of the hypervisor)
Otherwise the warning message VMS4816 is output and processing is continued. If in the course of further processing a VM cannot be configured because of the location of the monitor VM, the message VMS4803 is output for this VM.
 - The main memory size of the current monitor VM may not be greater than the backed-up main memory size
On SU x86 the maximum main memory size of the current monitor VM may also not be greater than the backed-up maximum main memory size.
Otherwise the warning message VMS4816 is output and processing is continued. If in the course of further processing a VM cannot be configured because of the main memory size or the maximum main memory size of the monitor VM, the message VMS4803 is output for this VM.
 - The current explicit device assignments of the monitor VM must be a subset of the backed-up explicit device assignments
This prerequisite is not checked. If in the course of further processing the assignment of a device to a VM cannot be set up because of the assignment of this device to the current monitor VM, the message VMS4803 is output for this device.
- All devices which are assigned to a VM or an assignment set in the backed-up VM2000 configuration must be available to VM2000 again in the current system
This prerequisite is not checked. If in the course of further processing an assignment cannot be set up because a device is missing, the message VMS4803 is output for this device.

6.5.4 Backup file for a VM2000 configuration

When `/SAVE-VM-CONFIGURATION` is processed successfully, the current VM2000 configuration is stored in a backup file on the monitor system's home pubset. The file has the format of an XML document.

6.5.4.1 Storage location

The VM2000 administrator can define the name of the backup file explicitly.

If the backup file is to be assigned the default name or if the file name is specified without a user ID, the file name is completed in accordance with the caller's runtime environment:

- Command entry from a user task
 - The file name is completed with the caller's user ID. It is permissible to create the backup file under a foreign user ID if the caller has the TSOS privilege.
- Command entry from a KVP console or a logical console
 - Without operator LOGON
 - The file name is completed with the TSOS user ID. This ID is also the only one which may be specified in the file name.
 - With operator LOGON
 - The file name is completed with the operator user ID. It is permissible to create the backup file under a foreign user ID if the operator user ID has the TSOS privilege.
- Command entry via `$VMCONS`
 - The file name is completed with the user ID which is entered in the VM2000 parameter `VMCONS-OPERID` in the parameter file for the VM2-MON subsystem (see [page 52](#)). It is permissible to create the backup file under a foreign user ID if this user ID has the TSOS privilege.

6.5.4.2 Structure of the contents

The backup file has the format of an XML document. The XML document presents a tree structure. Every XML element begins with a **start tag** with the format `<name>` and ends with the associated **end tag** `</name>` where *name* is an identifier for the tag.

The table below shows the structure of the VM2000 backup file with the meanings of the backed-up VM2000 components and the possible values. The end tags of the "pages" are not shown in order to keep the display concise.

XML tag	Meaning	Possible values
<code><vm2000_config></code>	Start of VM2000 configuration data	

XML tag	Meaning	Possible values
<pre><global_data> <vm2000_version> <max_num_vms> <max_num_vm_groups> <mon_vm_index> <real_mem_size> <new_dev_assign_set> <num_devices> </global_data></pre>	<p>Start of global data</p> <p>Version of VM2000</p> <p>Maximum number of VMs</p> <p>Maximum number of VM groups</p> <p>VM index of the monitor VM</p> <p>Size of the real main memory (MB)</p> <p>Assignment set for newly added devices</p> <p>Number of devices</p> <p>End of global data</p>	<pre><product-version> <integer 1..99> <integer 1..50> <integer 1..99> <integer 1.. 1048576 *STDSET / <name 1..8> <integer 1..32767></pre>
<pre><cpu_pools> <cpu_pool_name> . . . </cpu_pools></pre>	<p>Start of VM2000 CPU pools</p> <p>Name of the first CPU pool</p> <p>Further CPU pools (as before)</p> <p>End of VM2000 CPU pools</p>	<pre>*STDPOOL / <name 1..8></pre>
<pre><real_cpus> <real_cpu> <cpu_id> <cpu_attr> <cpu_state> <cpu_pool_name> </real_cpu> . . . </real_cpus></pre>	<p>Start of real CPUs</p> <p>First real CPU</p> <p>CPU identifier</p> <p>Type of CPU</p> <p>State of the CPU</p> <p>Name of the CPU's CPU pool</p> <p>End of first real CPU</p> <p>Further real CPUs (structure as before)</p> <p>End of real CPUs</p>	<pre><x-text 1..2> EXTRA / NORMAL / SPARE ATT / DET / ERR / OFFLINE / WAIT-FOR-MAINT *STDPOOL / <name 1..8></pre>
<pre><vm_groups> <vm_group> <vm_group_name> <cpu_quota> <max_cpu_util> <cpu_pool_name> </vm_group> . . . </vm_groups></pre>	<p>Start of VM groups</p> <p>First VM group</p> <p>Name of the VM group</p> <p>CPU quota of the VM group</p> <p>Max. CPU utilization of the VM group</p> <p>Name of the VM group's CPU pool</p> <p>End of first VM group</p> <p>Further VM groups (structure as before)</p> <p>End of VM groups</p>	<pre><name 1..8> <integer 1..9999> <integer 1..10000> *STDPOOL / <name 1..8></pre>
<pre><assign_sets> <assign_set_name> . . . </assign_sets></pre>	<p>Start of assignment sets</p> <p>Name of the first assignment set</p> <p>Further assignment sets (as before)</p> <p>End of assignment set</p>	<pre>*STDSET / <name 1..8></pre>

XML tag	Meaning	Possible values
<pre> <vms> <vm> <vm_index> <vm_name> <vm_group_name> <password> <mem_size> <min_mem_size> <max_mem_size> <mp_grade> <cpu_quota> <max_cpu_util> <location> <cpu_pool_name> <max_io_util> <admin_privileg> <vm_active_idle> <io_reset> <io_priority> <auto_snap_assign> <assign_by_guest> <assign_set_usage> <assign_sets> <assign_set_name> . . . </assign_sets> <auto_start> <ipl_unit> <skp_mc_out> <skp_mc_in> </vm> . . . </vms> </pre>	<pre> Start of BS2000 VMs First BS2000 VM VM index VM name Name of the VM's VM group Password of the VM VM's main memory size Min. main memory size of the VM Max. main memory size of the VM Multiprocessor level of the VM CPU quota of the VM Max. CPU utilization of the VM Location of the VM in the main memory (MB) Name of the VM's CPU pool Max. I/O utilization of the VM VM administrator's range of commands Control of the VM via real CPU IO-RESET privilege of the VM IO-PRIORITY privilege of the VM AUTO-SNAP-ASSIGNMENT privilege of VM ASSIGN-BY-GUEST privilege of the VM Type of specification for assignment sets Assignment sets of the VM Name of the VM's first assignment set Further assignment sets (as before) End of the VM's assignment sets Display of automatic start of the guest system on the VM IPL device for the start of the guest system on the VM Output path of KVP console when starting the guest system on the VM Input path of KVP console when starting the guest system on the VM End of first BS2000 VM Further VMs (structure as before) End of BS2000 VMs </pre>	<pre> <integer 1..99> <name 1..8> <name 1..8> <encrypted text 8..8> <integer 1..1048576> <integer 1..1048576> <integer 1..1048576> <integer 1..32> / *MAXIMUM / *EXTRA-AND-NORMAL <integer 1..9999> <integer 1..10000> <x-text 1..8> *STDPOOL / <name 1..8> <integer 1..100> *MAXIMUM / *MINIMUM / *STANDARD *AT-DEDICATED-CPUS / *NO *NO / *YES *NO / *YES *NO / *YES *NO / *YES *ALL / *EXCEPT / *LIST *STDSET / <name 1..8> *NO / *YES <alphanum-name 2..2> / <x-text 4..4> <alphanum-name 2..2> <alphanum-name 2..2> </pre>

XML tag	Meaning	Possible values
<pre> <devices> <device> <mn> <pubres_attr_ind> <assign_by_guest> <assign_set_name> <usage_type> <explicit_sharers> <explicit_sharer> <vm_index> <pubres_assign_ind> </explicit_sharer> ... </explicit_sharers> </device> ... </devices> </pre>	<pre> Start of devices First device Mnemonic device name PUBRES-FOR-ATTRIBUTES attribute ASSIGN-BY-GUEST attribute Name of the device's assignment set Usage mode of the device Sharing VMs First sharing VM VM index of the VM PUBRES-FOR-ASSIGNMENT attribute End of first sharing VM Further VMs (structure as before) End of sharing VMs End of first device Further devices (structure as before) End of devices </pre>	<pre> <alphanum-name 2..2> / <x-text 4..4> *NO / *YES *NO / *YES *STDSET / <name 1..8> EXCL / SHARED / VC <integer 1..99> *NO / *YES </pre>
<pre> </vm2000_config> </pre>	<pre> End of VM2000 configuration data </pre>	

6.5.4.3 VM2000 components not backed up

The following components of the VM2000 configuration are **not** backed up:

- Passwords of \$VMCONS
- MONJVs
- VM definitions
- Persistent VMs
- Monitor VM:
 - The multiprocessor level, main memory sizes and password of the monitor VM are backed up, but they are not included when restoration takes place.
 - Trace level
- Configuration statuses of the VMs

The `AUTO-START=*YES` attribute is only backed up for a VM whose guest system was started with a KVP pair as main console and using `INFORMATION-BYTE=*FAST/*AUTOMATIC`. An automatic restart of the guest system is possible for such a VM after the VM2000 configuration has been restored.
- The following applies for device configuration:
 - The device assignments to a pubset are not part of the VM2000 configuration.

In other words when the pubset structure or the device attributes change after the backup, the devices concerned do not receive the current assignments and attributes for the pubset when restoration takes place, but those which were saved for the devices when the backup was performed.
 - The assignments to VMs and the assignment to an assignment set are backed up for each device.

If a device does not belong to the current configuration when restoration takes place, these assignments cannot be restored.

6.5.4.4 Example of a backup file (SU /390)

For the sake of clarity some outputs in the example below are abbreviated ("...").

```
<vm2000_config>
  <global_data>
    <vm2000_version>V11.5A00</vm2000_version>
    <max_num_vms>15</max_num_vms>
    <max_num_vm_groups>8</max_num_vm_groups>
    <mon_vm_index>1</mon_vm_index>
    <real_mem_size>15872</real_mem_size>
    <new_dev_assign_set>*STDSET</new_dev_assign_set>
    <num_devices>20061</num_devices>
  </global_data>
  <cpu_pools>
    <cpu_pool_name>*STDPOOL</cpu_pool_name>
    <cpu_pool_name>USRCPOOL</cpu_pool_name>
  </cpu_pools>
  <real_cpus>
    <real_cpu>
      <cpu_id>00</cpu_id>
      <cpu_state>ATT</cpu_state>
      <cpu_attr>NORMAL</cpu_attr>
      <cpu_pool_name>*STDPOOL</cpu_pool_name>
    </real_cpu>
    <real_cpu>
      <cpu_id>01</cpu_id>
      <cpu_state>ATT</cpu_state>
      <cpu_attr>NORMAL</cpu_attr>
      <cpu_pool_name>USRCPOOL</cpu_pool_name>
    </real_cpu>
    <real_cpu>
      <cpu_id>02</cpu_id>
      <cpu_state>DET</cpu_state>
      <cpu_attr>SPARE</cpu_attr>
    </real_cpu>
  </real_cpus>
```

```
<vm_groups>
  <vm_group>
    <vm_group_name>USRGROUP</vm_group_name>
    <cpu_quota>2500</cpu_quota>
    <max_cpu_util>2500</max_cpu_util>
    <cpu_pool_name>USRCPOOL</cpu_pool_name>
  </vm_group>
  <vm_group>
    <vm_group_name>MONGROUP</vm_group_name>
    <cpu_quota>5000</cpu_quota>
    <max_cpu_util>10000</max_cpu_util>
    <cpu_pool_name>*STDPOOL</cpu_pool_name>
  </vm_group>
</vm_groups>
<assign_sets>
  <assign_set_name>*STDSET</assign_set_name>
  <assign_set_name>USRASSET</assign_set_name>
  <assign_set_name>MNEASSET</assign_set_name>
</assign_sets>
<vms>
  <vm>
    <vm_index>1</vm_index>
    <vm_name>MONITOR</vm_name>
    <vm_group_name>MONGROUP</vm_group_name>
    <mem_size>512</mem_size>
    <min_mem_size>512</min_mem_size>
    <location>00000020</location>
    <mp_grade>2</mp_grade>
    <cpu_quota>100</cpu_quota>
    <max_cpu_util>9900</max_cpu_util>
    <cpu_pool_name>*STDPOOL</cpu_pool_name>
    <max_io_util>100</max_io_util>
    <admin_privilege>*STANDARD</admin_privilege>
    <vm_active_idle>*NO</vm_active_idle>
    <io_reset>*YES</io_reset>
    <io_priority>*NO</io_priority>
    <auto_snap_assign>*YES</auto_snap_assign>
    <assign_by_guest>*YES</assign_by_guest>
    <assign_set_usage>*LIST</assign_set_usage>
    <assign_sets>
      <assign_set_name>*STDSET</assign_set_name>
    </assign_sets>
    <auto_start>*NO</auto_start>
  </vm>
</vms>
```

```

<vm>
  <vm_index>2</vm_index>
  <vm_name>G4IVU</vm_name>
  <mem_size>256</mem_size>
  <min_mem_size>256</min_mem_size>
  <location>00000220</location>
  <mp_grade>2</mp_grade>
  <cpu_quota>2500</cpu_quota>
  <max_cpu_util>10000</max_cpu_util>
  <cpu_pool_name>USRCPOOL</cpu_pool_name>
  <max_io_util>100</max_io_util>
  <admin_privileg>*STANDARD</admin_privileg>
  <vm_active_idle>*NO</vm_active_idle>
  <io_reset>*NO</io_reset>
  <io_priority>*NO</io_priority>
  <auto_snap_assign>*YES</auto_snap_assign>
  <assign_by_guest>*YES</assign_by_guest>
  <assign_set_usage>*ALL</assign_set_usage>
  <auto_start>*YES</auto_start>
  <ipl_unit>E024</ipl_unit>
  <skp_mc_out>CH</skp_mc_out>
  <skp_mc_in>CI</skp_mc_in>
</vm>
. . .
</vms>
<devices>
  <device>
    <mn>CR</mn>
  </device>
  <device>
    <mn>CU</mn>
  </device>
  <device>
    <mn>CB</mn>
  </device>
  <device>
    <mn>CC</mn>
    <usage_type>VC</usage_type>
    <explicit_sharers>
      <explicit_sharer>
        <vm_index>2</vm_index>
      </explicit_sharer>
    </explicit_sharers>
  </device>
. . .

```



```
<device>
  <mn>E02F</mn>
  <assign_by_guest>*YES</assign_by_guest>
  <assign_set_name>*STDSET</assign_set_name>
  <usage_type>SHARED</usage_type>
  <explicit_sharers>
    <explicit_sharer>
      <vm_index>1</vm_index>
    </explicit_sharer>
    <explicit_sharer>
      <vm_index>3</vm_index>
    </explicit_sharer>
    <explicit_sharer>
      <vm_index>4</vm_index>
    </explicit_sharer>
    <explicit_sharer>
      <vm_index>5</vm_index>
    </explicit_sharer>
  </explicit_sharers>
</device>
. . .
<device>
  <mn>E024</mn>
  <pubres_attr_ind>*YES</pubres_attr_ind>
  <assign_by_guest>*YES</assign_by_guest>
  <assign_set_name>USRASSET</assign_set_name>
  <usage_type>EXCL</usage_type>
  <explicit_sharers>
    <explicit_sharer>
      <vm_index>2</vm_index>
      <pubres_assign_ind>*YES</pubres_assign_ind>
    </explicit_sharer>
  </explicit_sharers>
</device>
. . .
</devices>
</vm2000_config>
```

6.6 Password protection

VM2000 has a twofold password protection system:

- Password protection for administering a VM. This password is defined when a VM is initialized and checked during dialog access to a VM (ADMIN dialog or VC dialog).
- Password protection for access to \$VMCONS. This password is defined in the parameter file of the VM2-MON subsystem and checked during connection setup to \$VMCONS.



Passwords consisting only of zeros (X'00..00') are ignored; the desired password is not defined (same effect as `PASSWORD=*NONE`).

Password protection for access to a VM

When initializing the VM (see [page 135](#)), the VM2000 administrator can use the `PASSWORD` operand to define a password which authorizes initiation of an administration dialog from a privileged user task or via \$VMCONS (ADMIN or VC dialog) with a VM. If a password is defined, it must be specified when a dialog is initiated with `/BEGIN-VM-DIALOG`.

The password can be changed or deleted by the VM2000 administrator by means of `/MODIFY-VM-ATTRIBUTES` during VM operation. The password remains valid until the VM is terminated (`/DELETE-VM`) or until the end of the current session (shutdown of the monitor system). In particular, it also remains valid after an automatic restart of the monitor system or of \$VMCONS or after a migration of the VM.



On SU /390 the password for administering the monitor VM can be defined via the configuration file for the monitor VM (see [page 59](#)) and on SU x86 via the configuration of VM2000 in the SE manager (see [page 62](#)).

`/CREATE-/MODIFY-VM-DEFINITION` enables the password for a VM to be entered in the VM definition. Detailed information can be found in the [section "Working with VM definitions" on page 200](#).

Password protection for access to \$VMCONS

A password can be specified in the parameter file of the VM2-MON subsystem which grants authorization for establishing a connection to \$VMCONS (`VMCONS-PASSWORD`, see [page 52](#)). If a password has been declared, it must be given before a connection to \$VMCONS can be established.

The password can be changed during operation by means of `/MODIFY-VMCONS-PARAMETERS` (see [page 547](#)). The password remains valid until the end of the of the current session or until the command is entered again. It also remains valid after an automatic restart of \$VMCONS. However, it is no longer available after an automatic restart of the monitor system. Modifications for the next session must be made via the parameter file.

6.7 Accounting in VM2000

VM2000 supplies two types of accounting records:

- Accounting record for devices. This record contains job accounting data on devices assigned to a VM.
- Accounting record for a VM. This record contains VM-specific job accounting data.

Device accounting records are written at the following times:

- When implicitly or explicitly assigned devices are removed from a VM or implicitly assigned devices are released by the guest system.

Devices are removed from a VM by VM2000 by:

- `/REMOVE-VM-DEVICES` or `/SWITCH-VM-DEVICES` (implicitly or explicitly assigned devices selectively)
- `/DELETE-VM` (all devices)
- `/SHUTDOWN`, abnormal system termination or restart in the guest system, `/SHUTDOWN-VM`, `/START-VM` or `/RESET-VM` (implicitly assigned devices, see [page 328](#))
- `/SHUTDOWN` in the monitor system (`/DELETE-VM` for all VMs)
- A restart in the monitor system (implicitly assigned devices are released before `SYSTEM READY`, see [page 329](#))
- VM Migration (on the source SU)

The guest system on a VM releases implicitly assigned devices by means of:

- `/DETACH-DEVICE` in the guest system
- When `/MODIFY-VM-ATTRIBUTES` is specified and the same name is given for the VM as before and devices are assigned to the VM

An accounting record for a VM is written at the following times:

- The VM's main memory is reconfigured with `/EXTEND-VM-MEMORY` or `/REDUCE-VM-MEMORY`
- A VM is terminated with `/DELETE-VM`.
- The same VM name is assigned to the VM as before using `/MODIFY-VM-ATTRIBUTES`
- The monitor system is terminated with `/SHUTDOWN-VM VM-ID=*VM2000` or `/SHUTDOWN`
- VM Migration (on the source SU)



Interruption-free switching between to and from daylight savings time is supported by appropriate information in the accounting records.

If the user of the VM changes (without the VM being terminated and newly initialized), an accounting record can be created via the VM name with `/MODIFY-VM-ATTRIBUTES`. The new name must be the same as the old one.

The accounting records are written by the BS2000 accounting system in the monitor system (see the “Introduction to System Administration” [2]). The accounting system in the monitor system must therefore be active at all times.

The accounting records can be analyzed with the software product RAV (see the “RAV” manual [7]). In this context, VM names can be managed in the same way as user IDs (see [“Recommendations for the definition and use of VM names” on page 136](#)).

Other guest systems do not write VM2000 accounting records.

Structure of the accounting records

The accounting records are divided up into four sections:

- Record description section
- ID section
- Basic information
- Variable information

These record sections contain the field number, displacement, length and format of the data field.

The **field number** indicates the current sequence number within the record section.

The **displacement** is the distance of the data field from the start of the record section.

The **length** is the length of the data field in bytes.

The **format** is the format of the data field:

- A alphanumeric (including “\$”, “#” and “@”)
- B binary number
- C printable characters
- F BS2000 file name
- Z decimal number, unpacked (0...9)
- undefined

6.7.1 Accounting record for devices

Structure of the record description section

The record description section contains the record ID, the time of day as well as the length of the ID section and the basic information.

Field no.	Displ.	Length	Format	Meaning
1	00	4	A	Record ID 'VACD'
2	04	8	-/B	Time Stamp
3	0C	2	B	Length of ID section
4	0E	2	B	Length of basic information
5	10	4	-	Reserved

Structure of the ID section

The ID section contains the VM identification, i.e. the VM index and the VM name.

Field no.	Displ.	Length	Format	Meaning
1	00	3	Z	VM index
2	03	3	-	Reserved
3	06	8	A	VM name
4	0E	2	-	Reserved

Structure of the basic information

The basic information contains the information regarding summer time/winter time, date and time of the release of the devices.

Field no.	Displ.	Length	Format	Meaning
1	00	6	Z	Date of release of devices, 1st section (format: yymmdd)
2	06	6	Z	Time of release of devices (format:hmmss) (format: hhmmss)
3	0C	2	Z	Date of release of devices, 2nd section: century of release (format: yy)
4	0E	1	C	Time of year of the release of the devices (S=summer time, W=winter time)
5	0F	3	-	Reserved

Structure of the variable information

The variable information contains

- the individual devices
- summer time/winter time, date and time of assignment to the VM
- device type in the monitor system
- mnemonic device name in the monitor system

Field no.	Displ.	Length	Format	Meaning
1	00	2	B	Number of extensions = 1
2	02	2	B	Distance between record extension for devices and start of record

If the displacement value is 0, the corresponding record extension is not specified.

Record extension for devices

Field no.	Displ.	Length	Format	Meaning
1	00	2	A	Extension identification = 'DV'
2	02	1	B	Number of devices = number of extensions of type 'DV'
3	03	1	B	Length of extension of type 'DV'
4	04	2	-	Reserved
5	06	6	Z	Date of assignment of device, 1st section (format: yymmdd)
6	0C	6	Z	Time of assignment of device (format: hhmmss)
7	12	8	C	Device type
8	1A	4	C	Mnemonic device name
9	1E	2	Z	Date of assignment of device, 2nd section: century of assignment (format: yy)
10	20	1	C	Time of year of the assignment of the devices (S=summer time, W=winter time)
(n-1) times fields 5 to 10 in accord. with number of devices in field 2				see fields 5 to 10

6.7.2 Accounting record for a VM

Structure of the record description section

The record description section contains the record ID, the time of day and the length of the ID section and the basic information.

Field no.	Displ.	Length	Format	Meaning
1	00	4	A	Record ID 'VACM'
2	04	8	-/B	Time Stamp
3	0C	2	B	Length of ID section
4	0E	2	B	Length of basic information
5	10	4	-	Reserved

Structure of the ID section

The ID section contains the VM identification, i.e. the VM index and the VM name.

Field no.	Displ.	Length	Format	Meaning
1	00	3	Z	VM index
2	03	3	-	Reserved
3	06	8	A	VM name
4	0E	2	-	Reserved

Structure of the basic information

The basic information contains

- start of the accounting period (summer time/winter time, date and time)
- end of the accounting period (summer time/winter time, date and time)
- CPU time used
- main memory size (see [page 315](#))

Structure of the variable section

Field no.	Displ.	Length	Format	Meaning
1	00	2	B	Length of variable section (=0)

The VM accounting record has no variable section.

6.8 Hardware error logging under VM2000

Hardware error logging (HEL) is a permanent procedure for logging hardware errors, e.g.:

- Machine fault
- Error caused by channel interrupt
- Fault in operation in peripheral devices

These errors are logged in the so called “HEL records” of the HEL file.

The following information is also stored in the HEL file:

- Statistical information from peripheral devices
- Information on debugging and diagnostics programs.

HEL entries help to trace problems and are not required for the operation of VM2000. For more information on working with HEL, refer to the “ELSA” manual [6].

The errors and events resulting in entries in the HEL file are reported in native mode as under VM2000 by the individual guest systems to the local error logging system (ELS) of BS2000 and stored by ELS in a local HEL file of the guest system. Under VM2000 this is referred to as “VM-local hardware error logging (HEL)”.

The same physical event can affect several guest systems. Each guest system affected notes the event in its HEL file.

Example

When an error occurs in connection with a channel interrupt or I/O timeout, the error is noted and logged in each guest system affected.

Global hardware error logging (HEL)

All HEL records encountered under VM2000 on a Server Unit but which are in different virtual machines are stored in a central file in the monitor system (global VM HEL file) as well as in the local VM HEL file.

This “VM-global hardware error logging (VMHEL)” is carried out by VM2000 for all guest systems.

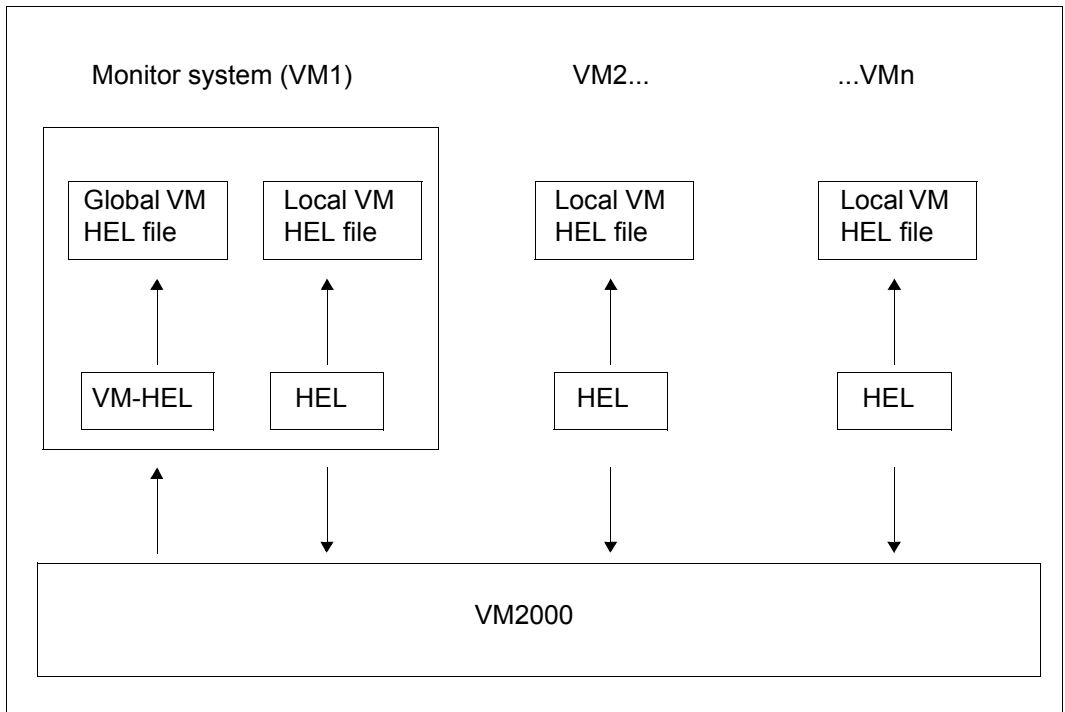


Figure 27: Concept of cross-VM hardware error logging under VM2000

Local hardware error logging (HEL) in every guest system, also that in the monitor system, processes only the local HEL file in the guest system and does not know the global HEL file.

VM-HEL processes the global VM HEL file and is performed exclusively in the monitor system. The records to be stored are supplied to the global VM-HEL by the local HELs of each VM.

All attributes and processing options of the local VM HEL file apply equally to the global VM HEL file, e.g. automatic exchange of the HEL file.

The layout of the global VM-HEL and local HEL records is identical (a detailed description of the analysis of these records can be found in the “ELSA” manual [6]).

The following control commands are available for the global VMHEL. The functions of these commands correspond to the specified control commands of the local HEL but apply to the global VMHEL or the global VMHEL file in the monitor system. These commands are only available under VM2000 in the monitor system.

VMHEL command (corresponding HEL command)	Meaning
CHANGE-VMHEL-FILE (CHANGE-HEL-FILE)	Closes current global (local) HEL file and opens a new file
MODIFY-VMHEL-CHECK (MODIFY-HEL-CHECK)	Controls global (local) threshold monitoring
MODIFY-VMHEL-LOGGING (MODIFY-HEL-LOGGING)	Controls the saving of the global (local) HEL records
MODIFY-VMHEL-TELESERVICE-ALARM (MODIFY-HEL-TELESERVICE-ALARM)	Specifies if and in what period of time the “Call-Teleservice” message is to be output when a global (local) error threshold is reached
SHOW-VMHEL-CHECK (SHOW-HEL-CHECK)	Shows the current settings for the global (local) threshold monitoring
SHOW-VMHEL-LOGGING (SHOW-HEL-LOGGING)	Requests information on the global (local) logging records
SHOW-VMHEL-STATUS (SHOW-HEL-STATUS)	Requests general information about the status of the global (local) hardware error logging
SHOW-VMHEL-TELESERVICE-ALARM (SHOW-HEL-TELESERVICE-ALARM)	Requests information about the set global (local) teleservice parameters
START-VMHEL-LOGGING (START-HEL-LOGGING)	Activates global (local) hardware error logging and opens global (local) HEL file
STOP-VMHEL-LOGGING (STOP-HEL-LOGGING)	Ends global (local) hardware error logging and closes global (local) HEL file



The commands require the system privilege HWMANT (HARDWARE-MAINTENANCE). The VMHEL commands have the same syntax as the HEL commands. The HEL commands are described in detail in the “Commands” manual [13].

The messages of the global VMHEL have the message code HLVnnnn. The meaning and response texts for a message can be inquired during ongoing operation using the BS2000 command /HELP-MSG-INFORMATION HLVnnnn.

6.9 Monitoring under VM2000

The following monitoring options are available under VM2000:

- Monitoring under VM2000 with `/SHOW-VM-STATUS`
- Monitoring in the guest systems or in the monitor system with the aid of the measurement monitor `openSM2`

The following restrictions govern both options:

- Under VM2000, CPU times must not be calculated as the difference between two `STCK` values
- IDLE times cannot be monitored precisely in a guest system under VM2000

6.9.1 Measurement with `/SHOW-VM-STATUS`

`/SHOW-VM-STATUS` gives the VM2000 administrator an overview of the current measured values for active objects under VM2000, see [page 659](#). The command supplies measured values in the following categories once or periodically:

- Operand `INFORMATION=*TIMER/*ALL`:
Values for usage of CPU capacity for the real CPUs, the CPU pools, the VM groups, and the VMs.
- Operand `INFORMATION=*COUNTER/*ALL`:
Events which were executed by the VM2000 hypervisor for real or virtual CPUs.
- Operand `INFORMATION=*SCHEDULE/*ALL`:
Measured values for scheduling by the VM2000 hypervisor for real CPUs and VMs.

x86 The operand values `INFORMATION=*COUNTER/*SCHEDULE` are not available on SU x86.

These values are output in each case as absolute values and also as percentages.

The one-off output of measured values (`PERIOD=*RECENT`) takes place synchronously and shows the measured values from the immediate past. One-off output can be called in parallel by several VM2000 administrators.

In the case of `/SHOW-VM-STATUS PERIOD=<integer>` you can specify the interval at which the measured values are to be output. You can set an interval of 5 seconds to 1 hour. It makes sense to set several minutes so that the time values provide meaningful information as regards the load imposed on the CPU by the VMs. Periodic output can only be used by one VM2000 administrator at a time.

6.9.2 Measurement with the openSM2 measurement monitor

The openSM2 (for short: SM2) measurement monitor can collect measurement values in the monitor system and in the guest systems. SM2 provides measured values for the guest system.

The scope of the VM2000 measured values (in the VM2000 report and in the SM2R1 reports 98 and 99) differs for the monitor system and the guest systems: in the monitor system the measured values of all VMs are output, in a guest system only the measured values of the VM on which the guest system is running.

The measurement methods and reports are described in the “openSM2” manual [9]. The peculiarities and interpretations of the measured values under VM2000 are described in the section entitled “SM2 together with VM2000”.



In the monitor system and in all guest systems, CPU pools and VM groups can also be seen in the SM2 outputs.

The following should also be noted for SU /390:

- The Channel Subsystem Monitoring Facility is required in order to measure the device-specific operating times (monitoring program `SERVICETIME`). This firmware feature can only be allocated to **one** guest system at a time. This means that the first guest system to call this measurement function by means of the SM2 statement `//START-MEASUREMENT-PROGRAM TYPE=*SERVICETIME` during VM2000 operation occupies this firmware feature for the relevant VM.

If another guest system attempts to occupy this firmware feature when the Channel Subsystem Monitoring Facility is already allocated to a VM, SM2 issues a warning. In this case, SM2 can only record the `DEVICE QUEUE` and `REMAINING SERVICE TIME`.

The Channel Subsystem Monitoring Facility can be released again:

- by means of the SM2 statement `//STOP-MEASUREMENT-PROGRAM TYPE=*SERVICETIME`
- when the guest system is restarted on the VM
- With the VM2000 commands `/DELETE-VM`, `/MIGRATE-VM` (on the source SU), `/RESET-VM` and `/START-VM`

The VM2000 administrator receives the current occupation status with `/SHOW-VM-RESOURCES INFORMATION=*STD/*ALL`. If the Channel Subsystem Monitoring Facility is occupied by a VM, message `VMS2035` is output as well.

- The Channel Subsystem Monitoring Facility is activated for exclusively used devices and for shareable devices that are only assigned to one VM (direct I/O). It is **not** activated for shareable devices that are assigned to more than one VM (indirect I/O). SM2 issues a warning message here. In this case, SM2 can only record the `DEVICE QUEUE` and `REMAINING SERVICE TIME`.

7 VM2000 commands

This chapter contains a description of all VM2000 commands. The command syntax is explained in the "Commands" manual [13].

The section [section "VM2000 Operating strategy" on page 90](#) describes the input options and input media for the VM2000 commands.

You can find a description of the privileged functions in the commands as of [page 232](#).

Notational conventions

The command descriptions contain a great deal of information which only applies for SU / 390 or SU x86. These are labeled as follows:

390 This comment applies only for SU /390

x86 This comment applies only for SU x86

7.1 Overview of commands for VM2000 operation

VM2000 commands can be split up into two groups:

- VM2000 administrator commands, e.g. /CREATE-VM
- VM administrator commands, e.g. /START-VM

VM2000 administrator commands

- are normally intended for use by the VM2000 administrator (who is also the VM administrator of the monitor VM)
- can be entered in an ADMIN dialog with the monitor VM (recommendation) and via BS2000 consoles or logical consoles in the monitor system
- require the OPERATING privilege or the VM2000-ADMINISTRATION privilege in the ADMIN dialog via a user task
- are used to operate the whole VM2000 system.

VM administrator commands

- are normally intended for use by the VM administrator
- can only be input by the VM administrator in the ADMIN dialog for his/her VM
- require the OPERATING privilege or the VIRTUAL-MACHINE-ADMINISTRATION privilege in the ADMIN dialog via a user task
- are used to operate a virtual machine
- can be used by the VM2000 administrator for any other VMs
- can have operand values whose use is restricted to the VM2000 administrator

Exceptions arise when the command/function range is extended and reduced for the VM and VM2000 administrator (ADMIN-PRIVILEGES, see [page 234](#)).

7.1.1 Table of VM2000 commands

The following table lists the VM2000 commands in alphabetical order.

Command name	VM2000 administrator	VM administrator	Privileged operands (VM-ID=)
ACTIVATE-VM-DEFINITION	x		
ADD-VM-DEVICES	x	x ¹	
ADD-VM-RESOURCES	x	x ¹	
ADD-VM-TO-VM-GROUP	x		
ASSIGN-VM-GROUP-TO-CPU-POOL	x		
ASSIGN-VM-TO-CPU-POOL	x		
ATTACH-VM-RESOURCES	x		
BEGIN-VM-DIALOG	x	x	
CALL-VM-PROCEDURE	x ²	x ²	
CHECK-VM-DISK-CONFIGURATION	x		
CHECK-VM-MIGRATION	x		
CREATE-VM	x		
CREATE-VM-ASSIGNMENT-SET	x		
CREATE-VM-CPU-POOL	x		
CREATE-VM-DEFINITION	x		
CREATE-VM-GROUP	x		
DELETE-VM	x	x	*ALL
DELETE-VM-ASSIGNMENT-SET	x		
DELETE-VM-CPU-POOL	x		
DELETE-VM-DEFINITION	x		
DELETE-VM-GROUP	x		
DETACH-VM-RESOURCES	x		
END-VM-DIALOG	x	x	
EXTEND-VM-MEMORY	x		
HOLD-VM	x	x	*ALL
MIGRATE-VM	x		
MIGRATE-VM-DEFINITION	x		
MODIFY-VM-ATTRIBUTES	x	x ¹	
MODIFY-VM-DEFINITION	x		
MODIFY-VM-DEVICE-ATTRIBUTES	x		

Command name	VM2000 administrator	VM administrator	Privileged operands (VM-ID=)
MODIFY-VM-DEVICE-USAGE	x	x ¹	
MODIFY-VM-GROUP-ATTRIBUTES	x		
MODIFY-VMCONS-PARAMETERS	x		
MOVE-VM	x		
RECOVER-VM-DEFINITION	x		
REDUCE-VM-MEMORY	x		
REMOVE-VM-DEVICES	x	x	
REMOVE-VM-FROM-VM-GROUP	x		
REMOVE-VM-RESOURCES	x	x	
RESET-VM	x	x	
RESTORE-VM-CONFIGURATION	x		
RESUME-VM	x	x	*ALL
SAVE-VM-CONFIGURATION	x		
SEND-VM-MESSAGE	x	x	
SHOW-VM-ASSIGNMENT-SET	x		
SHOW-VM-ATTRIBUTES	x	x	*VM2000 *BY-VM-GROUP *BY-CPU-POOL <name 1..8 with-wild(20)>
SHOW-VM-CPU-POOL	x		
SHOW-VM-DEFINITION	x		
SHOW-VM-DEVICE-STATUS	x	x ¹	
SHOW-VM-GROUP	x		
SHOW-VM-RESOURCES	x	x ¹	
SHOW-VM-STATUS	x		
SHUTDOWN-VM	x	x	*VM-GUESTS *VM2000
START-VM	x	x	
SWITCH-VM-CPU	x		
SWITCH-VM-DEVICES	x		

¹ Command available to VM administrators with ADMIN-PRIVILEGES=*MAXIMUM (see [page 235](#))

² Command available only in ADMIN dialog via \$VMCONS

7.1.2 Grouping of VM2000 commands according to function

Operating a VM

Command	Function	Authorization	Privileged operands (VM-ID=)
CREATE-VM	Initializes a VM. The VM is assigned attributes and resources.	VM2000 Administrator	
MODIFY-VM-ATTRIBUTES	Modifies VM attributes	VM2000 Administrator ¹	
START-VM	Starts a guest system on a VM	VM administrator	
HOLD-VM	Places a VM in the wait state	VM administrator	*ALL
RESUME-VM	Cancels the wait state for a VM	VM administrator	*ALL
EXTEND-VM-MEMORY	Increases main memory for a VM	VM2000 Administrator	
REDUCE-VM-MEMORY	Reduces main memory for a VM	VM2000 Administrator	
MOVE-VM	Moves a VM in main memory	VM2000 Administrator	
MIGRATE-VM	Migrates a VM	VM2000 Administrator	
CHECK-VM-MIGRATION	Checks if a VM can be migrated	VM2000 Administrator	
SHOW-VM-ATTRIBUTES	Shows the VM attributes	VM administrator	*VM2000 *BY-VM-GROUP *BY-CPU-POOL <name 1..8 with-wild(20)>
RESET-VM	Aborts the guest system on a VM	VM administrator	
SHUTDOWN-VM	Executes the shutdown in the guest system	VM administrator	*VM-GUESTS *VM2000
DELETE-VM	Terminates a VM	VM administrator	*ALL

¹ Command available to VM administrators with ADMIN-PRIVILEGES=*MAXIMUM (see [page 235](#))

Working with VM definitions

Command	Function	Authorization
CREATE-VM-DEFINITION	Creates a VM definition	VM2000 administrator
ACTIVATE-VM-DEFINITION	Activates a VM definition	VM2000 administrator
MIGRATE-VM-DEFINITION	Migrates a VM definition	VM2000 administrator
MODIFY-VM-DEFINITION	Modifies a VM definition	VM2000 administrator
SHOW-VM-DEFINITION	Shows attributes of VM definitions	VM2000 administrator
RECOVER-VM-DEFINITION	Recovers a VM definition	VM2000 administrator
DELETE-VM-DEFINITION	Deletes a VM definition	VM2000 administrator

Operating VM groups (SU /390)

Command	Function	Authorization
CREATE-VM-GROUP	Creates a VM group	VM2000 administrator
ADD-VM-TO-VM-GROUP	Adds a VM to a VM group	VM2000 administrator
REMOVE-VM-FROM-VM-GROUP	Removes a VM from a VM group	VM2000 administrator
MODIFY-VM-GROUP-ATTRIBUTES	Modifies the attributes of a VM group	VM2000 administrator
SHOW-VM-GROUP	Shows attributes of VM groups	VM2000 administrator
DELETE-VM-GROUP	Deletes a VM group	VM2000 administrator

Managing devices

Command	Function	Authorization
CREATE-VM-ASSIGNMENT-SET	Creates an assignment set	VM2000 administrator
DELETE-VM-ASSIGNMENT-SET	Deletes an assignment set	VM2000 administrator
SHOW-VM-ASSIGNMENT-SET	Shows attributes of the assignment sets	VM2000 administrator
ADD-VM-DEVICES	Allocates available devices to a VM	VM2000 administrator ¹
SWITCH-VM-DEVICES	Deallocates devices from a VM and allocates them to another VM	VM2000 administrator
MODIFY-VM-DEVICE-ATTRIBUTES	Assigns device attributes	VM2000 administrator
MODIFY-VM-DEVICE-USAGE	Changes the usage mode of devices of a VM	VM2000 administrator ¹
SHOW-VM-DEVICE-STATUS	Shows detailed device information	VM2000 administrator ¹
REMOVE-VM-DEVICES	Deallocates devices from a VM	VM administrator

¹ Command available to VM administrators with ADMIN-PRIVILEGES=*MAXIMUM (see [page 235](#))

Managing CPU pools

Command	Function	Authorization
CREATE-VM-CPU-POOL	Creates a CPU pool	VM2000 administrator
ASSIGN-VM-GROUP-TO-CPU-POOL	Assigns a VM group to another CPU pool	VM2000 administrator
ASSIGN-VM-TO-CPU-POOL	Assigns a VM to another CPU pool	VM2000 administrator
SWITCH-VM-CPU	Deletes CPUs from a CPU pool and assigns them to another CPU pool	VM2000 administrator
SHOW-VM-CPU-POOL	Shows attributes of CPU pools	VM2000 administrator
DELETE-VM-CPU-POOL	Deletes a CPU pool	VM2000 administrator

Managing the VM2000 configuration

Command	Function	Authorization
CHECK-VM-DISK-CONFIGURATION	Checks the VM2000 disk configuration	VM2000 administrator
SAVE-VM-CONFIGURATION	Saves the current VM2000 configuration	VM2000 administrator
RESTORE-VM-CONFIGURATION	Restores the saved VM2000 configuration	VM2000 administrator

VM2000 management

Command	Function	Authorization
SHOW-VM-RESOURCES	Shows the current status of VM2000 resources	VM2000 administrator ¹
SHOW-VM-STATUS	Outputs monitored values on the utilization of the overall VM2000 system	VM2000 administrator
ATTACH-VM-RESOURCES	Attach real CPUs	VM2000 administrator
DETACH-VM-RESOURCES	Detach real CPUs	VM2000 administrator

¹ Command available to VM administrators with ADMIN-PRIVILEGES=*MAXIMUM (see [page 235](#))

Administration and operating (ADMIN dialog, VC dialog)

Command	Function	Authorization
BEGIN-VM-DIALOG	Starts administration or operation	VM administrator
END-VM-DIALOG	Terminates administration or operation	VM administrator
MODIFY-VMCONS-PARAMETERS	Modifies the parameters for \$VMCONS	VM2000 administrator
CALL-VM-PROCEDURE ¹	Starts a VM2000 procedure file with VM2000 commands	VM administrator
SEND-VM-MESSAGE	Sends a message to VM administrators	VM administrator

¹ Command available only in ADMIN dialog via \$VMCONS

7.2 Command return codes

VM2000 returns information on the analysis of the command entered and on the execution of the command in a command return code. This command return code can be compared with a return code in a program and allows you to react appropriately to specific errors.

The command return code comprises three parts:

- The maincode, a message code that can be specified with the `HELP-MSG-INFORMATION` command in order to obtain detailed information.
- Subcode 1, which assigns the error situation to an error class that indicates how serious an error is.
- Subcode 2, which can contain supplementary information (a value other than zero).

Command return codes which can be returned by a VM2000 command on execution form part of the command description. In each case, a table follows the command description showing subcode 1, subcode 2, the main code and the meaning. VM2000 knows the following general return codes:

(SC2)	SC1	Maincode	Bedeutung
	0	CMD0001	Command successfully executed
	1	CMD0202	Syntax or semantic error
	32	CMD0221	Internal system error
	64	CMD0216	Required privilege not present
	65	CMD2241	Subsystem not loaded
	128	CMD2280	Subsystem not available
	128	VMS4504	Memory bottleneck
	128	VMS4513	VM2000 Hypervisor bottleneck
	130	VMS6000	VM2000 Agent not available
	130	VMS6001	Administration component of the carrier system not available
	64	VMS9001	Function not available for input medium or guest system
	64	VMS9004	Functionality not supported on current HSI or with current parameter assignment



Even when SC1 is not equal to zero and with the setting `ERROR-MECHANISM=*SPIN-OFF-COMPATIBLE (SET-/MODIFY-PROCEDURE-OPTIONS)`, VM2000 information commands do **not** trigger the spin-off mechanism.

Command return codes in a user task

When VM2000 commands are input via a privileged user task, the command return code is stored in standardized S variables and can be analyzed with the built-in functions of `SDF-P-BASYS - MAINCODE, SUBCODE1` and `SUBCODE2`, see the “Commands“ manual [13].

Command return codes via \$VMCONS or at a BS2000 console

With command input via \$VMCONS or from a BS2000 console, the command name and the command return code are output as inserts of the standard termination message

NBR0740 (guaranteed message), e.g.

```
NBR0740 COMMAND COMPLETED 'ADD-VM-DEVICES';
      (RESULT: SC2=000, SC1=000, MC=CMD0001); DATE: <date>
```

Commands, operands and operand values which are not supported

Some of the VM2000 commands, operands and operand values have no meaning on certain Server Units and are not supported on them, see also [“Notational conventions” on page 423](#). If they are entered despite this, they are rejected by VM2000 with a message and a return code.

Entry	Message	Return code, see page 431
Command	VMS3011	0, 64, VMS9004
Operand	VMS3012 VMS3030	0, 64, VMS9004
Operand value	VMS3032	0, 64, VMS9004

7.3 Guaranteed messages

For a number of VM2000 messages, message codes and inserts (number and semantics) are guaranteed as fixed components for future VM2000 versions. Such messages are called guaranteed messages.

Guaranteed messages of VM2000 are listed under the relevant commands in the “Guaranteed messages” section.

If the software product SDF-P is used, VM2000 outputs the guaranteed messages in structured S variables. Via S variables you can access certain message data directly without having to know the output layout of the messages. It is thus possible to control further processing in S procedures depending on the contents of these variables.

Guaranteed messages of VM2000 are listed under the relevant commands in the “Guaranteed messages” section.

For information on working with S variables, see the “Commands” manual [\[13\]](#).

7.4 SHOW output in S variables

VM2000 shows output in S variables for the information commands of VM2000 (with the exception of /SHOW-VM-STATUS) if these commands are executed in a user task. The S variables can be analyzed with the software product SDF-P.

The output in S variables is a component of the respective command descriptions. The S variables are listed in table form at the end of the command description, with their name, meaning and content.

In a structured output in S variables the current individual items of information are each stored as the contents of an S variable. Via the names of the S variables the user accesses the desired item of information in the information command, regardless of the output layout. The names of the S variables are preset for each information command and guaranteed for the follow-up versions, i.e. they will not be changed.

Name components of the S variables

The names of the list elements (e.g. VM-INDEX) are preset for the various information commands. They are appended to the S variable names declared by the user. The names are oriented as far as possible toward the corresponding operand names of output designations. If the information at this level continues to be hierarchically subdivided, further names are appended, each separated by a period.

Name components of the S variables

As far as possible, the contents of the S variables correspond to the associated operand values. The data type of the S variable determines the character set from which the contents of the S variable come.

Contents of the S variables

In the “Output in S variables” sections, the tables are sorted according to application groups. The S variables have a defined data type: string, integer or Boolean. The column T (type) indicates the data type of the contents: S (string), I (integer), B (Boolean).

For information on working with S variables, see the “Commands“ manual [13].

For an example of the evaluation of S variables under VM2000, turn to [page 130](#).

7.5 Description of the commands

The commands are described alphabetically under the following headings:

- Command name and function
- Description of the command function
- Representation of the command format
- Description of the command operands
- Description of the command return codes
- List of guaranteed messages
- For information commands: output in S variables
- For information commands: output formats
- Example if required

Command name	Function
ACTIVATE-VM-DEFINITION	Activate VM definition
ADD-VM-DEVICES	Allocate devices to a VM
ADD-VM-TO-VM-GROUP	Add a VM to a VM group
ASSIGN-VM-GROUP-TO-CPU-POOL	Assign a VM group to a CPU pool
ASSIGN-VM-TO-CPU-POOL	Assign a VM to a CPU pool
ATTACH-VM-RESOURCES	Attach real CPUs
BEGIN-VM-DIALOG	Start administration or operation
CALL-VM-PROCEDURE	Start a VM2000 procedure file
CHECK-VM-DISK-CONFIGURATION	Checks the VM2000 disk configuration
CHECK-VM-MIGRATION	Checks if a VM can be migrated
CREATE-VM	Initialize a VM
CREATE-VM-ASSIGNMENT-SET	Create assignment set
CREATE-VM-CPU-POOL	Create a CPU pool
CREATE-VM-DEFINITION	Create a VM definition
CREATE-VM-GROUP	Create a VM group
DELETE-VM	Terminate a VM
DELETE-VM-ASSIGNMENT-SET	Deletes an assignment set
DELETE-VM-CPU-POOL	Delete a CPU pool

Command name	Function
DELETE-VM-DEFINITION	Delete a VM definition
DELETE-VM-GROUP	Delete a VM group
DETACH-VM-RESOURCES	Detach real CPUs
END-VM-DIALOG	Terminate administration or operation
EXTEND-VM-MEMORY	Increase main memory for a VM
HOLD-VM	Suspend VM
MIGRATE-VM	Migrates a VM
MIGRATE-VM-DEFINITION	Migrates a VM definition
MODIFY-VM-ATTRIBUTES	Modify attributes of a VM
MODIFY-VM-DEFINITION	Modify a VM definition
MODIFY-VM-DEVICE-ATTRIBUTES	Modify device attributes
MODIFY-VM-DEVICE-USAGE	Modify usage mode of the devices of a VM
MODIFY-VM-GROUP-ATTRIBUTES	Modify attributes of a VM group
MODIFY-VMCONS-PARAMETERS	Modify parameters of \$VMCONS
MOVE-VM	Move a VM in main memory
RECOVER-VM-DEFINITION	Recover a VM definition
REDUCE-VM-MEMORY	Reduce main memory for a VM
REMOVE-VM-DEVICES	Deallocate devices from VM
REMOVE-VM-FROM-VM-GROUP	Remove a VM from a VM group
RESET-VM	Aborts the guest system on a VM
RESTORE-VM-CONFIGURATION	Restores the saved VM2000 configuration
RESUME-VM	Resume VM operation
SAVE-VM-CONFIGURATION	Saves the current VM2000 configuration
SEND-VM-MESSAGE	Pass messages to VM administrators
SHOW-VM-ASSIGNMENT-SET	Output assignment sets
SHOW-VM-ATTRIBUTES	Output attributes of a VM
SHOW-VM-CPU-POOL	Output attributes of a CPU pool
SHOW-VM-DEFINITION	Output a VM definition
SHOW-VM-DEVICE-ATTRIBUTES	Output detailed device information
SHOW-VM-GROUP	Output attributes of a VM group
SHOW-VM-RESOURCES	Output status of VM2000 resources
SHOW-VM-STATUS	Output VM2000 monitored data
SHUTDOWN-VM	Execute a shutdown in the guest system and for VM2000

Command name	Function
START-VM	Start a guest system on a VM
SWITCH-VM-CPU	Delete CPUs from a CPU pool and add them to another CPU pool
SWITCH-VM-DEVICES	Deallocate devices from one VM, allocate them to another

ACTIVATE-VM-DEFINITION

Activate a VM definition

`/ACTIVATE-VM-DEFINITION` activates a VM definition, i.e. a VM is initialized with the attributes entered in the VM definition. The devices entered in the VM definition are assigned to the VM. If required, the guest system on the VM is started in accordance with the settings for automatic startup in the VM definition. The VM definition may not belong to a VM which has already been initialized.

The VM can be monitored with a monitor job variable.

This command is reserved for the VM2000 administrator.

ACTIVATE-VM-DEFINITION

VM-NAME = <name 1..8>

,**MONJV**= *NONE / <filename 1..54 without-gen-vers>

,**JV-PASSWORD** = *NONE / <c-string 1..4> / <x-string 1..8> / <integer -2147483647..2147483648>

VM-NAME = <name 1..8>

Name of the VM definition.

Identical to the name of the virtual machine which is to be initialized.

MONJV =

Defines a MONJV for monitoring the VM (see [page 145](#)).

MONJV = *NONE

No MONJV is defined.

MONJV = <filename 1..54 without-gen-vers>

The specified MONJV is supplied with data by VM2000; the sender of the command must therefore have write permission for the specified MONJV.

If no catalog ID or user ID is specified in the file name, VM2000 completes the file name, in accordance with the runtime environment of the sender of the command.

If a file name which does not yet have a job variable is specified, VM2000 creates the MONJV as shareable and without a password.

JV-PASSWORD = *NONE / <c-string 1..4> / <x-string 1..8> / <integer ...>

Password of the MONJV for checking access authorization.

The input field is automatically blanked in the guided dialog.

The value input is not logged.



This operand is only evaluated if a previously created job variable was specified with MONJV.

Command return code, see also [page 431](#)

(SC2)	SC1	Maincode	Bedeutung
	0	CMD0001	Command successfully executed
2	0	VMS2306	VM definition could not be updated (last IPL parameter in a definition with AUTO-IPL=*YES)
	64	VMS2101	VM2000 shutdown in progress
	64	VMS2300	VM definition does not exist
	64	VMS2303	VM definition cannot be accessed
	64	VMS2314	Conflict in the device usage mode between the pubset and the PUBRES device
	64	VMS2316	VM index greater than the current maximum number of VMs
	64	VMS2318	VM index is already used by an initialized VM
	64	VMS2332	Storage for VM definitions cannot be reached (SU /390)
	64	VMS3035	IO-PRIORITY cannot be set (total of virtual CPUs with privilege too high)
	64	VMS4004	Device already assigned to a VM
	64	VMS4006	Device not available (not defined)
	64	VMS4010	Maximum permitted number of VMs already reached
	64	VMS4011	Requested memory size or location not available
	64	VMS4014	SVP error
	64	VMS4015	VM already initialized
	64	VMS4016	Device cannot be used as a virtual console
	64	VMS4032	Device cannot be assigned to several VMs at the same time
	64	VMS4033	Maximum number of sharers already reached
	64	VMS4034	Device is currently in shared use
	64	VMS4064	No channel path available
	64	VMS4067	Resource bottleneck in the hardware
	64	VMS4089	Virtual console must be assigned with TYPE=*VC
	64	VMS4170	I/O execution mode cannot be set to "indirect"
	64	VMS4200	Assignment set not yet created
	64	VMS4250	Device is not a PUBRES device
	64	VMS4251	Device list of the pubset is inconsistent
	64	VMS4252	Device list for PUBRES cannot be determined
	64	VMS4340	MONJV could not be accessed
	64	VMS4400	VM group not yet created
	64	VMS4513	Hypervisor memory bottleneck
	64	VMS4600	CPU pool not yet created
	64	VMS4612	No attached CPU in the CPU pool

Guaranteed messages

VMS4005

Only on SU /390: VMS3050, VMS4425, VMS4615

Only on SU x86: VMS6020

Example

See [section “Examples of working with VM definitions” on page 207](#).

ADD-VM-DEVICES

Allocate devices to a VM

`/ADD-VM-DEVICES` is used to assign individual devices or all devices of a pubset to a VM explicitly. Individual devices are addressed using their mnemonic device names. The devices of a pubset are determined by means of the catalog ID of the pubset or the mnemonic device name of the pubres device.

The assigned devices are noted in the VM definition.

No devices can be assigned explicitly to a VM while it is being migrated (VM Migration).



The devices must then be attached in the guest system so that they can be addressed in this system. A pubset must be imported in the guest system before it is used.

390 Alias devices (PAV) and CRD devices cannot be assigned explicitly.

This command is reserved for the VM2000 administrator and VM administrators with `ADMIN-PRIVILEGES=*MAXIMUM`.

ADD-VM-DEVICES

```

UNITS = *PUBSET-DEVICES(...) /
    list-poss(28): *DEVICE-RANGE(...) / <alphanum-name 1..4 with-wild(20)>
*PUBSET-DEVICES(...)
    |
    |   PUBSET = *BY-PUBRES-DEVICE(...) / <cat-id 1..4>
    |   |
    |   |   *BY-PUBRES-DEVICE(...)
    |   |   |
    |   |   |   UNIT = <alphanum-name 2..2> / <x-text 4..4>
    |
    |
    |   *DEVICE-RANGE(...)
    |   |
    |   |   FROM = <alphanum-name 2..2> / <x-text 4..4>
    |   |   |
    |   |   |   ,TO = <alphanum-name 2..2> / <x-text 4..4>
    |
    |
    |   ,VM-IDENTIFICATION = <integer 1..99> / <name 1..8>
    |
    |   ,TYPE = *NONE / *SD / *VC

```

UNITS =

Specifies the devices to be assigned to a VM.

UNITS = *PUBSET-DEVICES(...)

All devices of a pubset are to be assigned to the VM.



See also [“Notes on pubset specification in the VM2000 commands” on page 351](#) and [“Pubset reconfiguration” on page 353](#).

PUBSET = *BY-PUBRES-DEVICE(...)

Determines the devices of the pubset by means of the pubres device.

UNIT = <alphanum-name 2..2> / <x-text 4..4>

Mnemonic device name of the pubres device.

PUBSET = <cat-id 1..4>

Catalog ID of the pubset. The pubset must be entered together with its pubres device in the monitor system's MRS catalog.

UNITS = *DEVICE-RANGE(...)

All the devices in this range of names are to be assigned to the VM.



Device names `<x-text 4..4>` (in `*DEVICE-RANGE`) are selected from `FROM` to `TO` in hexadecimal order. Otherwise, device names `<alphanum-name 2..2>` are selected in alphabetical order.

390

If `UNITS` is specified with `*DEVICE-RANGE` or with wildcards, alias devices (PAV) and CRD devices are ignored.

FROM = <alphanum-name 2..2> / <x-text 4..4>

Defines the start of the name range.

TO = <alphanum-name 2..2> / <x-text 4..4>

Defines the end of the name range. The mnemonic device name must be in the same value range (2- or 4-digit mn) as the `FROM` device name and must be greater than or equal to the `FROM` device name in ascending order in the value range.

UNITS = <alphanum-name 1..4 with-wild(20)>

Defines the devices to be assigned to the VM.

VM-IDENTIFICATION = <integer 1..99> / <name 1..8>

Identifies the virtual machine by means of a VM index or VM name.

TYPE =

Defines the devices to be assigned to the VM.

TYPE = *NONE

The device is assigned exclusively (usage mode `EXCLUSIVE`). Exclusively assigned devices are listed in the information commands after the keyword `EXCL`.

TYPE = *SD

The device is declared as shareable (shared device, usage mode `SHARED`). The device can be assigned to several VMs at the same time (see also [page 374](#)). Shared devices are listed in the information commands after the keyword `SHARED`.

TYPE = *VC

The device is assigned exclusively as a virtual console (SU /390). It must be appropriately generated (see [page 47](#)). Only one device for each VM can be operated as a virtual console. A virtual console cannot be assigned to the monitor VM. It is not permissible to specify a list in the `UNITS` operand for `TYPE=*VC`. Virtual consoles are marked in the information commands of VM2000 with the suffix `(VC)`.

Command return code, see also [page 431](#)

(SC2)	SC1	Maincode	Bedeutung
	0	CMD0001	Command successfully executed
1	0	CMD0001	Device or pubset already assigned, no action required
1	0	VMS4035	No corresponding device found (perhaps only alias devices were specified)
1	0	VMS4180	Specified set of devices empty
2	0	CMD0001	Device already implicitly assigned by the guest system, device now explicitly assigned
2	0	VMS2306	VM definition could not be updated (SU /390)
2	0	VMS4221	Not all of the pubset's devices could be assigned
2	0	VMS4222	Only the pubres device could be assigned
	64	VMS3002	Invalid operand value (e.g. *DEVICE-RANGE operand)
	64	VMS3003	Invalid combination of operands
	64	VMS4000	VM not yet created
	64	VMS4004	Device already assigned to a VM
	64	VMS4006	Device not available
	64	VMS4016	Device cannot be used as a virtual console
	64	VMS4026	VM already has a virtual console
	64	VMS4032	Device cannot be assigned to several VMs at the same time
	64	VMS4033	Maximum number of sharers already reached
	64	VMS4034	Device is currently in shared use
	64	VMS4060	Only one virtual console possible per VM
	64	VMS4064	No channel path available
	64	VMS4067	Resource bottleneck in the hardware
	64	VMS4089	Virtual console must be assigned with TYPE=*VC
	64	VMS4170	I/O execution mode cannot be set to "indirect"
	64	VMS4190	Device is an alias device (PAV)
	64	VMS4195	Device is a CRD device
	64	VMS4223	Command not executed (operand *PUBSET-DEVICES)
	64	VMS9005	Command not or only partially processed
	128	VMS3042	VM being migrated

Guaranteed messages

VMS4004, VMS4005, VMS4016, VMS4026, VMS4030, VMS4032, VMS4033, VMS4034, VMS4064, VMS4067, VMS4068, VMS4088, VMS4089, VMS4170

Only if *PUBSET-DEVICES is specified: VMS4220, VMS4221, VMS4222, VMS4223, VMS4234

Only if UNITS is specified without *DEVICE-RANGE and without wildcards: VMS4006, VMS4190, VMS4195

Example

```

/add-vm-devices unit=*pubset-devices(pubset=4ivw),vm-id=system2 _____ (1)
VMS4005 DEVICE 'E059' ASSIGNED TO VIRTUAL MACHINE (2,SYSTEM2) _____ (2)
VMS4005 DEVICE 'E05A' ASSIGNED TO VIRTUAL MACHINE (2,SYSTEM2)
VMS4005 DEVICE 'E05B' ASSIGNED TO VIRTUAL MACHINE (2,SYSTEM2)
VMS4220 PUBSET '4IVW' WITH PUBRES DEVICE 'E059' ASSIGNED TO VM (2,SYSTEM2)

/add-vm-devices (ch,ci),vm-id=system2 _____ (3)
VMS4005 DEVICE 'CH' ASSIGNED TO VIRTUAL MACHINE (2,SYSTEM2)
VMS4005 DEVICE 'CI' ASSIGNED TO VIRTUAL MACHINE (2,SYSTEM2)

/add-vm-devices e062,vm-id=system2,type=*sd _____ (4)
VMS4005 DEVICE 'E062' ASSIGNED TO VIRTUAL MACHINE (2,SYSTEM2) (TYPE=SD)

/add-vm-devices cc,vm-id=system2,type=*vc _____ (5)
VMS4005 DEVICE 'CC' ASSIGNED TO VIRTUAL MACHINE (2,SYSTEM2) (TYPE=VC)

/show-vm-attributes information=*units,vm-id=system2
VM-ID          UNITS
  2 SYSTEM2    ASSIGNED BY VM-ADMIN _____ (6)
                EXCL: CC(VC),CH,CI,E059,E05A,E05B
                SHARED: E062

```

- (1) The VM2000 administrator assigns the home pubset devices to VM2.
- (2) VM2000 reports that the devices have been successfully assigned. Pubset 4IVW is entered together with its pubres device E059 in the monitor system's MRS catalog and is therefore already detected here by VM2000.
- (3) The VM2000 administrator assigns the KVP device pair to VM2.
- (4) A disk device is assigned for shared use with other VMs.
- (5) The VM2000 administrator assigns the KVP console device pair to VM2.
- (6) List of the mnemonic device names that are explicitly assigned to the VM2. EXCL: indicates the devices that are assigned for exclusive use. The (VC) suffix designates a virtual console. The list for SHARED: contains the devices that are assigned for shared use with other VMs.

See also the detailed examples for device and pubset management on [page 332](#) and on [page 359](#).

ADD-VM-TO-VM-GROUP

Add a VM to a VM group (SU /390)

x86 No VM groups are available on SU x86. The command is rejected with message VMS3011 and with general return code VMS9004.

/ADD-VM-TO-VM-GROUP is used to add a VM to a VM group.

The assignment of the VM to a VM group is noted in its VM definition.

A VM cannot be assigned to a VM group while it is being migrated (VM Migration).

The VM may not already have been added to a VM group.

The VM must be assigned to the CPU pool of the VM group.

This command is reserved for the VM2000 administrator.

ADD-VM-TO-VM-GROUP

VM-IDENTIFICATION = <integer 1..99> / <name 1..8>

,**VM-GROUP-NAME** = <name 1..8>

,**MEMBER-CPU-QUOTA** = <fixed 0.01..99.99>

VM-IDENTIFICATION = <integer 1..99> / <name 1..8>

Identifies the virtual machine by means of a VM index or VM name.

VM-GROUP-NAME = <name 1..8>

Name of the VM group.

MEMBER-CPU-QUOTA = <fixed 0.01..99.99>

Member CPU quota of the VM.

Determines the VM's own CPU share in comparison to the other VMs in the VM group. The VM's previous CPU quota is relinquished and replaced by this member CPU quota (see [page 217](#)).

Command return code, see also [page 431](#)

(SC2)	SC1	Maincode	Bedeutung
	0	CMD0001	Command successfully executed
2	0	CMD0001	Decimal specifications rounded to 2 decimal places
2	0	VMS2306	VM definition could not be updated (SU /390)
	64	VMS4000	VM not yet created
	64	VMS4400	VM group not yet created
	64	VMS4422	VM not assigned to the CPU pool of the VM group
	64	VMS4424	VM already belongs to a VM group
	128	VMS3042	VM being migrated

Guaranteed messages

VMS4425

Example

```
/add-vm-to-vm-group vm-id=c1sys1,vm-group-name=gcust1,
                    member-cpu-quota=1 _____ (1)
VMS4425 VIRTUAL MACHINE (2,C1SYS1) ASSIGNED TO VM GROUP 'GCUST1'
```

- (1) The customer VM C1SYS1 is added to the VM group GCUST1. The member CPU quota selected is 1; the CPU quota which the VM was given when it was created is relinquished.

See also the detailed [“Example of operating VM groups”](#) on page 223.

ASSIGN-VM-GROUP-TO-CPU-POOL

Assign a VM group to a CPU pool (SU /390)

x86 No VM groups are available on SU x86. The command is rejected with message VMS3011 and with general return code VMS9004.

/ASSIGN-VM-GROUP-TO-CPU-POOL is used to assign a VM group to a (different) CPU pool. The VM group is assigned a (new) CPU quota. Together with the VM group, the VMs which are assigned to the VM group are also assigned to the (different) CPU pool.

A VM group cannot be assigned to another CPU pool while a VM in the group is being migrated (VM Migration).

This command is reserved for the VM2000 administrator.

ASSIGN-VM-GROUP-TO-CPU-POOL

```

VM-GROUP-NAME = <name 1..8>
, TO-CPU-POOL = *STDPOOL / <name 1..8>
, CPU-QUOTA = <fixed 0.01..99.99>
, ATTACHED-VM-CPUS = *CHECK-NUMBER / *ADJUST-NUMBER

```

VM-GROUP-NAME = <name 1..8>

Name of the VM group.

TO-CPU-POOL = *STDPOOL / <name 1..8>

Name of the CPU pool to which the VM group is to be assigned.

CPU-QUOTA = <fixed 0.01..99.99>

CPU quota of the VM group. Determines the VM group's own CPU share in comparison to the other (individual) VMs and VM groups which are assigned to the CPU pool (TO-CPU-POOL operand) (see [page 283](#)).

ATTACHED-VM-CPUS =

Determines command execution and the implicit actions of VM2000 for the virtual CPUs of all VMs of the VM group.

ATTACHED-VM-CPUS = *CHECK-NUMBER

The command is executed when the number of attached virtual CPUs of every VM in the VM group is less than or equal to the number of attached real CPUs in the CPU pool to which the VM group is to be assigned, see [page 272](#). If a VM in the VM group does not satisfy this condition, the command is rejected.

ATTACHED-VM-CPUS = *ADJUST-NUMBER

The command is executed unless a VM in the VM group is in the RUNNING or IN HOLD (WAIT) status and the CPU pool to which the VM group is to be assigned contains no attached real CPU.

With this operand value, VM2000 initiates asynchronous actions in the following cases:

- The number of attached virtual CPUs in a VM in the VM group is greater than the number of attached real CPUs in the CPU pool to which the VM group is assigned:
VM2000 detaches the excess virtual CPUs (implicit /DETACH-DEVICE in the BS2000 guest system for a corresponding number of virtual CPUs). These detached CPUs cannot initially be attached again by the guest system; they are identified accordingly by VM2000 (status of the virtual CPU in the VM2000 information commands: BLOCK).
- The number of attached virtual CPUs in a VM in the VM group is less than the number of attached real CPUs in the CPU pool to which the VM group is assigned **and** the number of attached virtual CPUs in this VM in the VM group is less than its multiprocessor level:

VM2000 cancels the BLOCK status for the required number of virtual CPUs of the VM and attaches them (implicit /ATTACH-DEVICE in the BS2000 guest system for the virtual CPU).

Command return code, see also [page 431](#)

(SC2)	SC1	Maincode	Bedeutung
	0	CMD0001	Command successfully executed
2	0	CMD0001	Decimal specifications rounded to 2 decimal places
5	0	CMD0001	Implicit reconfiguration started for virtual CPU(s)
	64	VMS4400	VM group not yet created
	64	VMS4600	CPU pool not yet created
	64	VMS4612	Too few attached CPUs added to the CPU pool
	64	VMS4626	VM group is already assigned to the CPU pool
	128	VMS3042	VM of the VM group is being migrated

Guaranteed messages

VMS4620, VMS4621, VMS4627

Example

```
/assign-vm-group-to-cpu-pool vm-group-name=extgroup,to-cpu-pool=exclpool,
    cpu-quota=1,attached-vm-cpus=*check-number
VMS4627 CPU POOL ASSIGNMENT OF VM GROUP 'EXTGROUP' CHANGED FROM
    CPU POOL '*STDPOOL' TO CPU POOL 'EXCLPOOL'
```

ASSIGN-VM-TO-CPU-POOL

Assign a VM to a CPU pool

`/ASSIGN-VM-TO-CPU-POOL` is used to assign a VM which does not belong to a VM group to a (different) CPU pool. The VM is assigned a (new) CPU quota.

The assignment of the VM to a CPU pool is noted in its VM definition.

A VM cannot be assigned to another CPU pool while it is being migrated (VM Migration).

x86 On SU x86 the command is not executed if the CPU pool to which the VM is to be assigned contains no attached CPU.

This command is reserved for the VM2000 administrator.

ASSIGN-VM-TO-CPU-POOL
<p>VM-IDENTIFICATION = <integer 1..99> / <name 1..8> ,TO-CPU-POOL = *STDPOOL / <name 1..8> ,CPU-QUOTA = <fixed 0.01..99.99> ,ATTACHED-VM-CPUS = *CHECK-NUMBER / *ADJUST-NUMBER</p>

VM-IDENTIFICATION = <integer 1..99> / <name 1..8>

Identifies the virtual machine by means of a VM index or VM name.

TO-CPU-POOL = *STDPOOL / <name 1..8>

Name of the CPU pool to which the VM is to be assigned.

CPU-QUOTA = <fixed 0.01..99.99>

CPU quota of the VM. Determines the VM's own CPU share in comparison to the other VMs or VM groups which are assigned to the CPU pool (`TO-CPU-POOL` operand) (see [page 283](#)).

ATTACHED-VM-CPUS =

Determines command execution and the implicit actions of VM2000 for the virtual CPUs of the VM.

ATTACHED-VM-CPUS = *CHECK-NUMBER

The command is executed if the number of attached virtual CPUs in the VM is less than the number of attached real CPUs in the CPU pool to which the VM is to be assigned, see [page 272](#). Otherwise the command is rejected.

ATTACHED-VM-CPUS = *ADJUST-NUMBER

The command is executed unless the VM is in the RUNNING or IN HOLD (WAIT) status and the CPU pool to which the VM is to be assigned contains no attached real CPU.

With this operand value, VM2000 initiates asynchronous actions in the following cases:

- The number of attached virtual CPUs in the VM is greater than the number of attached real CPUs in the CPU pool to which the VM is assigned:

VM2000 detaches the excess virtual CPUs (implicit /DETACH-DEVICE in the BS2000 guest system for a corresponding number of virtual CPUs). These detached CPUs cannot initially be attached again by the guest system; they are identified accordingly by VM2000 (status of the virtual CPU in the VM2000 information commands: BLOCK).

- The number of attached virtual CPUs in the VM is less than the number of attached real CPUs in the CPU pool to which the VM is assigned, **and** the number of attached virtual CPUs in the VM is less than its multiprocessor level:

VM2000 cancels the BLOCK status for the required number of virtual CPUs of the VM and attaches them (implicit /ATTACH-DEVICE in the BS2000 guest system for the virtual CPU).

Command return code, see also [page 431](#)

(SC2)	SC1	Maincode	Bedeutung
	0	CMD0001	Command successfully executed
2	0	CMD0001	Decimal specifications rounded to 2 decimal places
2	0	VMS2306	VM definition could not be updated (SU /390)
3	0	CMD0001	Implicit attach started for virtual CPU(s)
4	0	CMD0001	Implicit detach started for virtual CPU(s)
	64	VMS4000	VM not yet created
	64	VMS4600	CPU pool not yet created
	64	VMS4612	Too few attached CPUs added to the CPU pool
	64	VMS4616	VM already assigned to the CPU pool
	64	VMS4622	VM belongs to a VM group
	128	VMS3042	VM being migrated

Guaranteed messages

VMS4618, VMS4620, VMS4621

Example

```
/assign-vm-to-cpu-pool vm-id=c1sys1,to-cpu-pool=pcust1,cpu-quota=80
VMS4618 CPU POOL ASSIGNMENT OF VIRTUAL MACHINE (2,C1SYS1) CHANGED
      FROM CPU POOL '*STDPPOOL' TO CPU POOL 'PCUST1'
```

See also the detailed [“Example of managing CPU pools” on page 278](#).

ATTACH-VM-RESOURCES

Attach real CPUs

/ATTACH-VM-RESOURCES is used to attach detached real normal CPUs and extra CPUs for VM2000 operation.

This command is reserved for the VM2000 administrator.

ATTACH-VM-RESOURCES

UNIT = *CPU(...) / ***EXTRA-CPU(...)**

***CPU(...)**

CPU-IDENTIFICATION = *ANY(...) / list-poss(63): <x-text 1..2>

***ANY(...)**

CPU-POOL-NAME = *UNIQUE / ***STDPOOL** / <name 1..8>

***EXTRA-CPU(...)**

CPU-IDENTIFICATION = *ALL(...) / ***ANY(...)** / list-poss(63): <x-text 1..2>

***ALL(...)**

CPU-POOL-NAME = *UNIQUE / ***STDPOOL** / <name 1..8> / ***ALL**

***ANY(...)**

CPU-POOL-NAME = *UNIQUE / ***STDPOOL** / <name 1..8>

UNIT = *CPU(...)

Specifies real normal CPUs to be attached.



The attachment of a real processor has no effect on the reconfiguration state of the virtual CPUs of a VM. Virtual CPUs may be attached in the BS2000 guest system by means of the BS2000 command /ATTACH-DEVICE UNIT=*CPU(CPU-IDENTIFIER=<mn>).

CPU-IDENTIFICATION = *ANY(...)

Selects any real normal CPU from a CPU pool.

CPU-POOL-NAME =

Determines the CPU pool.

CPU-POOL-NAME = *UNIQUE

A real normal CPU from the CPU pool (*STDPOOL) is selected (operand provided for reasons of compatibility with earlier VM2000 versions).

CPU-POOL-NAME = *STDPOOL / <name 1..8>

Name of the CPU pool.

CPU-IDENTIFICATION = list-poss(63): <x-text 1..2>

Identifier of the real normal CPU.

UNIT = *EXTRA-CPU(...)

Specifies extra CPUs to be attached, see [page 266](#).

CPU-IDENTIFICATION = *ALL(...)

Selects all extra CPUs from a CPU pool.

CPU-POOL-NAME =

Determines the CPU pool.

CPU-POOL-NAME = *UNIQUE

All extra CPUs from the CPU pool (*STDPOOL) are selected (operand provided for reasons of compatibility with earlier VM2000 versions).

CPU-POOL-NAME = *STDPOOL / <name 1..8>

Name of the CPU pool.

CPU-POOL-NAME = *ALL

All extra CPUs from all CPU pools are selected.

CPU-IDENTIFICATION = *ANY(...)

Selects any extra CPU from a CPU pool.

CPU-POOL-NAME =

Determines the CPU pool.

CPU-POOL-NAME = *UNIQUE

An extra CPU from the only existing CPU pool (*STDPOOL) is selected (operand provided for reasons of compatibility with earlier VM2000 versions).

CPU-POOL-NAME = *STDPOOL / <name 1..8>

Name of the CPU pool.

CPU-IDENTIFICATION = list-poss(63): <x-text 1..2>

Identifier of the extra CPU.

Command return code, see also [page 431](#)

(SC2)	SC1	Maincode	Bedeutung
	0	CMD0001	Command successfully executed
1	0	CMD0001	No action required
	64	VMS3002	Invalid operand value (operand CPU-ID)
	64	VMS4043	CPU not known in system
	64	VMS4072	CPU defective
	64	VMS4073	CPU not attached because of CPU attribute
	64	VMS4074	No additional (extra) CPU available
	64	VMS4150	CPU could not be attached because of its state
	64	VMS4152	CPU is OFFLINE
	64	VMS4270	No extra CPU in the configuration
	64	VMS4600	CPU pool not yet created
	64	VMS4609	Several CPU pools created
	64	VMS4611	Selected CPUs do not belong to CPU pool
	64	VMS9005	Command not or only partially processed

Guaranteed messages

VMS4043, VMS4044, VMS4046, VMS4072, VMS4073, VMS4075, VMS4150, VMS4152

Example

```

/show-vm-resources information=*cpu _____ (1)
VM-ID      CPU-POOL  GR-CPU-Q  CPU-Q/  EFF-Q  MAX-U/  EFF-U  PROC
 1 M4IVR    *STDPOOL   20.00    1.00/ 12.04  80.00/ 80.00  2(+1)
 2 G4IVQ    *STDPOOL           26.00/ 15.66 100.00/100.00  4(+1)
 3 G4IVP    *STDPOOL   50.00    4.00/ 24.09 100.00/ 50.00  2(+1)
 4 G4IVO    *STDPOOL   50.00    1.00/  6.02 100.00/ 50.00  1(+1)
 5 G4IVJ    *STDPOOL           70.00/ 42.16 100.00/100.00  2(+1)

VM-ID      SCHED  ACT-I  VIRT  CPUS
 1 M4IVR    TS     NO    00(RUN),01(RUN),02(OFF)
 2 G4IVQ    TS     NO    00(RUN),01(RUN),02(BLOCK),03(BLOCK),
           04(OFF)
 3 G4IVP    TS     NO    00(RUN),01(RUN),02(OFF)
 4 G4IVO    TS     NO    00(RUN),01(SLEEP)
 5 G4IVJ    -      NO    00(IDLE),01(IDLE),02(OFF)

CPU-ATTR   CPU-POOL  REAL  CPUS
NORMAL     *STDPOOL  00(ATT),01(DET)
EXTRA      *STDPOOL  02(DET),03(DET) _____ (2)
SPARE      *STDPOOL  04(DET)

/attach-vm-resources unit=*cpu(cpu-id=01) _____ (3)
VMS4044 CPU 01 ATTACHED

```

```

/attach-vm-resources unit=*extra-cpu(cpu-id=*all) ----- (4)
VMS4075 EXTRA-CPU 02 ATTACHED
VMS4075 EXTRA-CPU 03 ATTACHED

```

```

/show-vm-resources information=*cpu ----- (5)
VM-ID      CPU-POOL  GR-CPU-Q  CPU-Q/  EFF-Q  MAX-U/  EFF-U  PROC
1 M4IVR    *STDPOOL  20.00     1.00/  12.04  80.00/  80.00  2(+1)
2 G4IVQ    *STDPOOL           26.00/  15.66  100.00/100.00  4(+1)
3 G4IVP    *STDPOOL  50.00     4.00/  24.09  100.00/  50.00  2(+1)
4 G4IVO    *STDPOOL  50.00     1.00/   6.02  100.00/  50.00  1(+1)
5 G4IVJ    *STDPOOL           70.00/  42.16  100.00/100.00  2(+1)

```

```

VM-ID      SCHED  ACT-I  VIRT  CPUS
1 M4IVR    TS     NO     00(RUN),01(RUN),02(OFF)
2 G4IVQ    TS     NO     00(RUN),01(RUN),02(STOP),03(STOP),
           04(OFF)
3 G4IVP    TS     NO     00(RUN),01(RUN),02(OFF)
4 G4IVO    TS     NO     00(RUN),01(SLEEP)
5 G4IVJ    -      NO     00(IDLE),01(IDLE),02(OFF)

```

```

CPU-ATTR   CPU-POOL  REAL  CPUS
NORMAL     *STDPOOL  00(ATT),01(ATT)
EXTRA      *STDPOOL  02(ATT),03(ATT) ----- (6)
SPARE      *STDPOOL  04(DET)

```

- (1) The VM2000 administrator requests information on the CPU state.
- (2) Real normal CPU 01 and the extra CPUs are detached.
- (3) Normal CPU 01 is attached.
- (4) All the extra CPUs are attached.
- (5) The VM2000 administrator requests information on the CPU state.
- (6) All real normal CPU and all extra CPUs are now attached.

See also the detailed [“Example of managing CPU pools” on page 278](#).

BEGIN-VM-DIALOG

Start administration or operation

`/BEGIN-VM-DIALOG` is used to open a dialog from a privileged user task or after a connection has been established to `$VMCONS`,

- for administering the VM using VM2000 commands (ADMIN dialog).
Up to 15 ADMIN dialogs can be conducted concurrently for each VM from different, privileged user tasks. In addition, one ADMIN dialog can be conducted via `$VMCONS`.
- for operating the guest system via `$VMCONS` (VC dialog).
Up to eight VC dialogs can be conducted concurrently on each VM via `$VMCONS`.

Guest system operation with BS2000 consoles is described on [page 102](#).

`/BEGIN-VM-DIALOG` cannot be entered at a monitor system BS2000 console. Open dialogs are terminated by means of `/END-VM-DIALOG`, `/DELETE-VM`, `/LOGOFF` of the user task or when the connection to `$VMCONS` is terminated.

BEGIN-VM-DIALOG

```

VM-IDENTIFICATION = <integer 1..99> / <name 1..8>
, PASSWORD = *NONE / <c-string 1..8> / <x-string 1..16>
, TYPE = *STD / *BOTH / *ADMIN(...) / *VC(...)
      *ADMIN(...) / *VC(...)
      | OUTPUT-PREFIX = *YES / *NO

```

VM-IDENTIFICATION = <integer 1..99> / <name 1..8>

Identifies the virtual machine by means of a VM index or VM name.

PASSWORD = *NONE / <c-string 1..8> / <x-string 1..16>

Password which was defined when the VM was initialized (see [page 135](#)) or with `/MODIFY-VM-ATTRIBUTES`.

TYPE =

Defines the type of dialog to be opened for command input via a \$VMCONS connection. This operand is ignored with command input from a privileged task, as in this case only one ADMIN dialog (without output prefix) can be started.

TYPE = *STD

The following applies in a user task: an ADMIN dialog is to be started.

The following applies for a \$VMCONS connection:

390 An ADMIN dialog and a VC dialog are to be started.

x86 An ADMIN dialog is to be started.

TYPE = *BOTH

Both an ADMIN dialog and a VC dialog are to be opened. The VM prefix or GS prefix are attached to the outputs from the ADMIN or VC dialog.

TYPE = *ADMIN(...)

Operation of the VM using VM2000 commands (ADMIN dialog).

OUTPUT-PREFIX = *YES / *NO

Specifies whether the VM prefix VMnn is attached to the outputs of the ADMIN dialog.

TYPE = *VC(...)

Operation of the guest system (VC dialog).

OUTPUT-PREFIX = *YES / *NO

Specifies whether the GS prefix GSnn is attached to the outputs of the VC dialog.

Command return code, see also [page 431](#)

(SC2)	SC1	Maincode	Bedeutung
	0	CMD0001	Command successfully executed
1	0	CMD0001	No action required
	64	VMS1000	You have already opened an ADMIN dialog
	64	VMS1001	ADMIN dialog already opened for the VM with another partner
	64	VMS1024	Invalid password specified
	64	VMS1035	Maximum number of VC dialogs for the VM has been reached
	64	VMS1050	A VC dialog with KVP could not be configured
	64	VMS1522	Maximum number of ADMIN/VC dialogs has been reached
	64	VMS2101	VM2000 shutdown in progress
	64	VMS4000	VM not yet created

Example (privileged user task)

```
/begin-vm-dialog vm-id=system2,password=c'sys2',type=*std _____ (1)
```

(1) An ADMIN dialog is opened from a privileged user task.

Example (via \$VMCONS)

```
vm02:/begin-vm-dialog vm-id=system2,password=c'sys2',type=*both _____ (1)
```

```
VM01: % VMS1033 PARTNER 'OMS120 D016ZE04' HAS STARTED A VC DIALOG WITH  
VIRTUAL MACHINE (2,SYSTEM2) _____ (2)
```

```
VM01: % VMS1013 PARTNER 'OMS120 D016ZE04' HAS STARTED AN ADMINISTRATION  
DIALOG WITH VIRTUAL MACHINE (2,SYSTEM2).
```

```
ADMINISTRATION-ID USED: @002
```

```
VM02:VMS3000 VM2000 COMMAND /BEGIN-VM-DIALOG FOR  
VIRTUAL MACHINE (2,SYSTEM2) PROCESSED SUCCESSFULLY
```

```
VM02:NBRO740 COMMAND COMPLETED 'BEGIN-VM-DIALOG';  
RESULT: SC2=000, SC1=000, MC=CMD0001); DATE: <date>
```

- (1) After a connection has been established to \$VMCONS, the ADMIN dialog is opened along with a VC dialog with VM2.
- (2) The VM2000 administrator is informed of the start of the ADMIN dialog and the VC dialog.

CALL-VM-PROCEDURE

Start a VM2000 procedure file

`/CALL-VM-PROCEDURE` is used to start a VM2000 procedure file in which a sequence of VM2000 commands is stored.

All VM2000 commands can be used in the procedure file except the following: `/CALL-VM-PROCEDURE`, `/BEGIN-VM-DIALOG` and `/END-VM-DIALOG`.

The following BS2000 commands are permissible:

- `/STEP`
prevents abortion of the procedure in the event of an error. The procedure is continued normally starting from the `/STEP` command.
- `/REMARK`
allows comments logged during the command sequence to be inserted in the procedure file.

The procedure file must be cataloged as a SAM or ISAM file. It must have been generated in standard file format, i.e. with a variable record format and with `BLKCTRL=DATA` and a maximum record length of 2032 bytes. This format is generated by default when the editor EDT is used.

Continuation lines

If a command is more than one line long, the hyphen (-) is used as a continuation character. The hyphen can be positioned after any comma in the operand field and indicates that there is a continuation line. A hyphen may be followed only by blanks.

Each continuation line begins with a slash, followed by the rest of the operands of the command.

Commands in procedure files may have a maximum length of 300 characters, not including hyphens and fill characters (blanks).

A procedure containing commands with continuation lines can no longer be processed by means of `/RUN`.

Processing the VM2000 procedure file

`/CALL-VM-PROCEDURE` processes the commands sequentially. If one of the commands produces an error, processing will be continued with the next `/STEP`.

`/CALL-VM-PROCEDURE` can be entered only in an ADMIN dialog via `$VMCONS`. It can be entered not via a user task (where S or non-S procedures are available) or at a monitor system BS2000 console (where such a procedure file can be started using `/RUN`).

If the procedure file contains commands which are reserved for the VM2000 administrator, /CALL-VM-PROCEDURE must be entered in the ADMIN dialog with the **monitor VM**.

CALL-VM-PROCEDURE

FILE-NAME = <filename 1..54 without-gen-vers>
,VM-IDENTIFICATION = *CURRENT / <integer 1..99> / <name 1..8>
,LIST = *YES / *NO

FILE-NAME = <filename 1..54 without-gen-vers>

File name of the procedure file.

VM-IDENTIFICATION =

Identification of the virtual machine. The VM must already have been initialized.

VM-IDENTIFICATION = *CURRENT

The VM identification assigned previously by means of /BEGIN-VM-DIALOG is used.

VM-IDENTIFICATION = <integer 1..99> / <name 1..8>

Identifies the virtual machine by means of a VM index or VM name.



Here the significance of the VM-IDENTIFICATION operand is quite different to its meaning in other VM2000 commands. In all commands this operand value replaces the default (VM-IDENTIFICATION=*CURRENT or VM-IDENTIFICATION not specified) in the procedure file for which the VM-IDENTIFICATION operand is **optional**.

In the case of all commands in the procedure file where the VM-IDENTIFICATION operand is **mandatory**, the VM-IDENTIFICATION is not replaced.

If /CREATE-VM is used in a procedure file where no specification has been made for the VM-INDEX and VM-NAME operands, they will not be replaced.

LIST =

Defines the type of logging for procedure execution.

LIST = *YES

When the procedure is executed, procedure file commands and messages are logged to the VM terminal.

LIST = *NO

Logging of the commands and messages is suppressed. Only those messages relating to errors which occurred during processing of the procedure are output.

Command return code, see also [page 431](#)

(SC2)	SC1	Maincode	Bedeutung
	0	CMD0001	Command successfully executed
	64	VMS1506	Procedure file is not of type SAM or ISAM
	64	VMS1562	Error on opening procedure file
	64	VMS3010	Command not allowed in procedure file
	64	VMS4000	VM not yet created
	128	VMS1505	Procedure mode already active for VM

Example of a procedure file

```

/REMARK TESTVM MEMORY=512 MBYTE _____ (1)
/CREATE-VM MEM=512,VM-NAME=TESTVM _____ (2)
/REMARK ADD DEVICES
/ADD-VM-DEVICES UNITS=(Z2,Z3,D0,D1),VM-NAME=TESTVM _____ (3)
/REMARK DIALOG-STARTUP ON TESTVM
/START-VM IPL-UNIT=D0,-
/INFORMATION-BYTE=*DIALOG,VM-IDENTIFICATION=TESTVM _____ (4)
/STEP _____ (5)
/REMARK TESTVM2 MEMORY=1024 MBYTE
/CREATE-VM MEM=1024,VM-NAME=TESTVM2 _____ (6)

```

- (1) Comment line
- (2) A VM with the VM name TESTVM is initialized.
- (3) Devices are assigned to the VM with the VM name TESTVM.
- (4) The guest system on the VM is started. The command is input with a continuation line.
- (5) If any of the commands under (2), (3) or (4) cannot be executed, the procedure is continued from (5).
- (6) An additional VM with the VM name TESTVM2 is initialized.

CHECK-VM-DISK-CONFIGURATION

Check VM2000 disk configuration (SU /390)

x86 On SU x86, the command is rejected with the message VMS3011 and the general return code VMS9004.

/CHECK-VM-DISK-CONFIGURATION initiates checking the VM2000 disk configuration.

The VM2000 hypervisor checks the data of all generated disk devices and updates the data of the VM2000 disk configuration.

The completion of the check is reported asynchronously to the VM2000 administrator and the console of the monitor system with the VMS4912 message.

This command is reserved for the VM2000 administrator.

CHECK-VM-DISK-CONFIGURATION

This command does not have operands.

Command return code, see also [page 431](#)

(SC2)	SC1	Maincode	Bedeutung
	0	CMD0001	Command successfully executed
1	0	CMD0001	Checking already initiated, no action
	64	VMS2101	VM2000 shutdown in progress

Guaranteed messages

VMS4910, VMS4911, VMS4912

Example (via the console of the monitor system)

```
/check-vm-disk-configuration _____ (1)
%VM2M-000.134022 % VMS4910 CHECK OF DISK CONFIGURATION STARTED
+VM2M-000.134022 % VMS3000 VM2000 COMMAND /CHECK-VM-DISK-CONFIGURATION FOR
VIRTUAL MACHINE ( ,*VM2000) PROCESSED SUCCESSFULLY
! UCO-000.134022 % NBR0740 COMMAND COMPLETED 'CHECK-VM-DISK-CONFIGURATION';
(RESET: SC2=000, SC1=000, MC=CMD0001); DATE: <date>

/check-vm-disk-configuration _____ (2)
+VM2M-000.134108 % VMS4911 CHECK OF DISK CONFIGURATION ALREADY STARTED
+VM2M-000.134108 % VMS3000 VM2000 COMMAND /CHECK-VM-DISK-CONFIGURATION FOR
VIRTUAL MACHINE ( ,*VM2000) PROCESSED SUCCESSFULLY
! UCO-000.134108 % NBR0740 COMMAND COMPLETED 'CHECK-VM-DISK-CONFIGURATION';
(RESET: SC2=001, SC1=000, MC=CMD0001); DATE: <date>

%VM2G-000.134114 % VMS4912 CHECK OF DISK CONFIGURATION COMPLETED _____ (3)
```

- (1) Checking of the disk configuration is being initiated.
- (2) Checking is not complete.
- (3) Asynchronous message after checking.

CHECK-VM-MIGRATION

Checking prerequisites for VM Migration

`/CHECK-VM-MIGRATION` checks, if the specified VM can be migrated from the local Server Unit (source SU) to the required Server Unit (target SU).

This command is reserved for the VM2000 administrator.

CHECK-VM-MIGRATION

VM-IDENTIFICATION = <integer 1..99> / <name 1..8>
,SERVER-UNIT-NAME = <composed-name 1..64>

VM-IDENTIFICATION =

Identification of the virtual machine.

VM-IDENTIFICATION = <integer 1..99> / <name 1..8>

Identifies the virtual machine by means of a VM index or VM name.

SERVER-UNIT-NAME = <composed-name 1..64>

Name of the target SU.



In case of a target SU /390, this is the BS2000 host name of the monitor system.

Command return code, see also [page 431](#)

(SC2)	SC1	Maincode	Bedeutung
	0	CMD0001	Command successfully executed
2	0	VMS2461	VM Migration not possible
	64	VMS2400	Target SU not detected
	64	VMS4000	VM not yet created

Guaranteed messages

VMS2331, VMS2401 through VMS2406, VMS2409, VMS2410, VMS2460, VMS2470, VMS2471, VMS2472

Examples (SU /390)

```

/check-vm-migration vm-id=g4ivo,server-unit-name=d021ze01
% VMS2404 LIVE MIGRATION OF VM (4,G4IVO) REJECTED BY TARGET SU 'D021ZE01'.
REASON: VMS4011 _____ (1)
% VMS2404 LIVE MIGRATION OF VM (4,G4IVO) REJECTED BY TARGET SU 'D021ZE01'.
REASON: VMS4034,9920 _____ (2)
% VMS2404 LIVE MIGRATION OF VM (4,G4IVO) REJECTED BY TARGET SU 'D021ZE01'.
REASON: VMS2437,9921 _____ (3)
% VMS2461 LIVE MIGRATION OF VM (4,G4IVO) TO TARGET SU 'D021ZE01' NOT
POSSIBLE _____ (4)

```

The checks on the target SU have delivered the following results:

- (1) Not enough main memory for the VM to be migrated.
- (2) Device 9920 has already been assigned for shared usage.
- (3) Device 9921 has already been assigned exclusively to another VM.
- (4) The VM Migration is not possible.

```

/check-vm-migration vm-id=g4ivo,server-unit-name=d021ze01
% VMS2471 DEVICE '9940' WILL BE DETACHED BY LIVE MIGRATION
% VMS2471 DEVICE '9941' WILL BE DETACHED BY LIVE MIGRATION
% VMS2471 DEVICE '9942' WILL BE DETACHED BY LIVE MIGRATION _____ (1)
% VMS2460 LIVE MIGRATION OF VM (4,G4IVO) TO TARGET SU 'D021ZE01'
POSSIBLE _____ (2)

```

The checks on the target SU have delivered the following results (after correcting the problems in the above example):

- (1) Warnings: Alias devices are automatically detached and removed from the VM during VM Migration.
- (2) The VM Migration is possible.

CREATE-VM

Initialize a VM

`/CREATE-VM` initializes a VM, i.e. a VM is created under VM2000.

During the initialization process, the following attributes and resources are assigned to the VM:

- VM index and VM name (identification of the VM)
- Main memory size of the VM
- Minimum and maximum main memory size of the VM for main memory reconfiguration
- Location of the VM in the main memory of VM2000 (SU /390)
- (Member) CPU quota and maximum CPU utilization of the VM
- Maximum I/O utilization of the VM (SU /390)
- Adding of the VM to a VM group (SU /390)
- Assignment of the VM to a CPU pool
- Multiprocessor level of the VM
- The password for administration
- Range of commands available to VM2000 and VM administrators
- Privileges of the VM

[390] We recommend initializing a VM with `IO-PRIORITY=*NO` and `IO-RESET=*NO` (i.e. without these privileges) and only assigning the privileges with `/MODIFY-VM-ATTRIBUTES`.

- Settings for controlling the real CPU (SU /390)
- Monitor job variable for monitoring the VM
- PERSISTENT attribute

After the command has been executed successfully, the VM has the status INIT-ONLY.

Depending on the PERSISTENT attribute, a persistent or non-persistent VM definition is configured for the VM.

[x86] On SU x86 a VM's firmware component is started when the VM is initialized. Despite the INIT-ONLY status, the VM already utilizes a minimal CPU capacity.



The monitor VM is automatically initialized when VM2000 is initialized. Its attributes and resources are configured when VM2000 is installed (see [chapter "Installing VM2000" on page 45](#)).

This command is reserved for the VM2000 administrator.

CREATE-VM
<pre> MEMORY-SIZE = <integer 1..1048576>(DIMENSION = *MEGABYTE / *GIGABYTE) , MIN-MEMORY-SIZE = *STD / <integer 1..1048576>(DIMENSION = *MEGABYTE / *GIGABYTE) , VM-NAME = *STD / <name 1..8> , CPU-QUOTA = *STD / <fixed 0.01..99.99> / *BY-VM-GROUP(...) *BY-VM-GROUP(...) VM-GROUP-NAME = <name 1..8> , MEMBER-CPU-QUOTA = *STD / <fixed 0.01..99.99> , MAX-CPU-UTILIZATION = 100 / <fixed 0.01..100.00> , MAX-IO-UTILIZATION = 100 / <integer 1..100> , CPU-POOL-NAME = *STD / *STDPOOL / <name 1..8> , PASSWORD = *NONE / <c-string 1..8> / <x-string 1..16> , PROCESSOR = *MONO / *BI / *TRIPLE / *QUADRO / *OCTO / *MAXIMUM / *EXTRA-AND-NORMAL / <integer 1..32> , LOCATION = *ANY / *BEFORE-VM(...) / *AFTER-VM(...) / *MEMORY-END / <x-text 1..8>(…) *BEFORE-VM(…) VM-IDENTIFICATION = <integer 2..99> / <name 1..8> *AFTER-VM(…) VM-IDENTIFICATION = <integer 1..99> / <name 1..8> <x-text 1..8>(…) DIMENSION = *BYTE / *MEGABYTE , VM-INDEX = *ANY / <integer 1..99> , ADMIN-PRIVILEGES = *STD / *MINIMUM / *MAXIMUM , PRIVILEGES = *PARAMETERS(…) *PARAMETERS(…) IO-RESET = *NO / *YES , IO-PRIORITY = *NO / *YES , AUTO-SNAP-ASSIGNMENT = *YES / *NO , ASSIGN-BY-GUEST = *NO / *YES(…) *YES(…) SET-NAME = *STDSET / *ALL / *EXCEPT(…) / list-poss(8): <name 1..8> / *STDSET *EXCEPT(…) SET-NAME = list-poss(8): <name 1..8> / *STDSET </pre>

(part 1 of 2)

```
,VM-ACTIVE-IDLE= *NO / *AT-DEDICATED-CPUS
,MONJV= *NONE / <filename 1..54 without-gen-vers>
,JV-PASSWORD = *NONE / <c-string 1..4> / <x-string 1..8> / <integer -2147483647..2147483648>
,MAX-MEMORY-SIZE = *STD / <integer 1..1048576>(DIMENSION = *MEGABYTE / *GIGABYTE)
,PERSISTENT = *NO / *YES
```

(part 2 of 2)

MEMORY-SIZE = <integer 1..1048576>(DIMENSION = *MEGABYTE / *GIGABYTE)

Size of main memory for the appropriate VM up to a size of 1 Tbyte (terabyte; 1 Tbyte = 1024 Gbytes = 1 048 576 Mbytes).

x86 On SU x86 a small amount of a VM's main memory is required for the firmware component. The main memory of a VM should be at least 1024 Mbytes large, see [page 137](#). The value must be a multiple of 2 Mbytes.

MIN-MEMORY-SIZE = *STD / <integer 1..1048576>(DIMENSION = *MEGABYTE / *GIGABYTE)

Minimum size of the main memory for the relevant VM when main memory is reconfigured. The default is the size of the main memory for the VM as defined by `MEMORY-SIZE`.

x86 On SU x86 the main memory of a VM should be at least 1024 Mbytes in size, see [page 137](#). The value must be a multiple of 2 Mbytes.

VM-NAME =

Name of the new VM. This identifies the VM in addition to the VM index. The VM name must be unique on the Server Unit.

VM-NAME = *STD

Standard VM name. `VM00nn` is assigned as the standard name, `nn` being the VM index (`nn=01..99`).

VM-NAME = <name 1..8>

VM name assigned by the VM2000 administrator. A VM name corresponding to the standard name of another VM is not permissible (e.g. `VM-NAME=VM0002, VM-INDEX=5`).

x86 See also the general conditions for SU x86 in section ["Recommendations for the definition and use of VM names"](#) on [page 136](#).

CPU-QUOTA = *STD / <fixed 0.01..99.99> / *BY-VM-GROUP(...)

CPU quota of the VM. The default value is 1 (the VM is not added to any VM group).

CPU-QUOTA = *STD / <fixed 0.01..99.99>

CPU quota of the VM which is not (yet) added to a VM group when it is created. Determines the VM's own share of the CPU capacity of the CPU pool in comparison to the VM groups and the other VMs which have not been added to a VM group (see [page 283](#)).

CPU-QUOTA = *BY-VM-GROUP(...)

The VM is added to a VM at creation time (SU /390).

VM-GROUP-NAME = <name 1..8>

Name of the VM group to which the VM is added.

MEMBER-CPU-QUOTA = *STD / <fixed 0.01..99.99>

Member CPU quota of the VM which is added to a VM group at creation time. This determines the VM's own CPU share in comparison to the other VMs in the VM group (see [page 217](#)). The default value is 1.

MAX-CPU-UTILIZATION = 100 / <fixed 0.01..100.00>

Maximum CPU utilization of the VM (see [page 283](#)).

[390] If the VM belongs to a VM group, its maximum CPU utilization is also restricted by the "maximum CPU utilization of the VM group" (see [page 217](#)).

MAX-IO-UTILIZATION = 100 / <integer 1..100>

Maximum I/O utilization of the VM (SU /390, see [page 393](#)).

CPU-POOL-NAME =

Determines the CPU pool to which the VM is assigned. Every VM is always assigned to precisely one CPU pool.

[x86] On SU x86 the CPU pool must possess at least one attached real CPU.



The CPU-QUOTA operand determines the (individual) VM's or VM group's own CPU share in comparison to the other VMs or VM groups which are assigned to the CPU pool (see [page 294](#)).

CPU-POOL-NAME = *STD

When an (individual) VM is initialized (CPU-QUOTA = *STD / <fixed 0.01..99.99>), it is assigned to the standard CPU pool.

[390] When the VM is assigned to a VM group (CPU-QUOTA = *BY-VM-GROUP(...)), it is assigned to the CPU pool of the VM group.

CPU-POOL-NAME = *STDPOOL / <name 1..8>

Name of the CPU pool to which the VM is assigned.

[390] If the VM is added to a VM group (CPU-QUOTA=*BY-VM-GROUP(. . .) operand), it may only be assigned to the CPU pool of the VM group.

PASSWORD =

Password controlling access authorization in /BEGIN-VM-DIALOG. The password can be up to 8 bytes long.

PASSWORD = *NONE

No password is necessary.

PASSWORD = <c-string 1..8>

Password in character form.

PASSWORD = <x-string 1..16>

Password in hexadecimal form. Passwords comprising zeros only (X'00..00') are ignored.

PROCESSOR =

This defines the multiprocessor level of the VM (see [page 259](#)).

PROCESSOR = *MONO

A VM with one virtual CPU is set up.

PROCESSOR = *BI

A VM with two virtual CPUs is set up.

PROCESSOR = *TRIPLE

A VM with three virtual CPUs is set up.

PROCESSOR = *QUADRO

A VM with four virtual CPUs is set up.

PROCESSOR = *OCTO

A VM with eight virtual CPUs is set up.

PROCESSOR = *MAXIMUM

A VM with the maximum possible number of virtual CPUs is created. The maximum possible number of virtual CPUs matches the number of real normal CPUs which are available for VM2000 operation, see [page 257](#).

[390] On SU /390 the maximum number of virtual CPUs is 16.

PROCESSOR = *EXTRA-AND-NORMAL

A VM is configured with as many virtual CPUs as normal CPUs and extra CPUs are available for VM2000 operation.

[390] On SU /390 up to 16 virtual CPUs are possible.

A VM with this number of CPUs can utilize the maximum CPU capacity, including the CPU capacity of the attached extra CPUs. For a Server Unit without extra CPUs this value is the same as the value of `PROCESSOR=*MAXIMUM`.

PROCESSOR = <integer 1..32>

A VM is set up with the number of virtual CPUs specified here. A value less than or equal to the value of `PROCESSOR=*MAXIMUM` is permissible.

LOCATION =

Specifies the location of the VM in the main memory of VM2000 (SU /390).

LOCATION = *ANY

The location is selected by VM2000.

LOCATION = *BEFORE-VM(VM-IDENTIFICATION = <integer 2..99> / <name 1..8>)

Specifies the VM before which the new VM is to be located.

LOCATION = *AFTER-VM(VM-IDENTIFICATION = <integer 1..99> / <name 1..8>)

Specifies the VM after which the new VM is to be located.

LOCATION = *MEMORY-END

The new VM is to be located at the end of the VM2000 main memory.

LOCATION = <x-text 1..8>(DIMENSION = *BYTE / *MEGABYTE)

Specifies the address with the dimension. The address must be a multiple of 1 Mbyte. Permissible range of values: 00000000..7FF00000 (hexadecimal digits). If necessary, the address is padded with leading zeros.

VM-INDEX =

The VM index.

VM-INDEX = *ANY

The VM index is assigned by VM2000.

VM-INDEX = <integer 1..99>

Specifies the VM index.

The largest possible VM index depends on the hardware. `/SHOW-VM-RESOURCES INFORMATION=*CONFIGURATION` provides the necessary information.



If `VM-INDEX=*ANY` is specified and the VM migrated at a later point (VM Migration), the VM will receive any free VM index on the target SU. Otherwise, the specified (fixed) VM index must be available on the target SU as well.

ADMIN-PRIVILEGES =

Defines the command/function range for the VM2000 administrator and the VM administrator (see [page 234](#)).

ADMIN-PRIVILEGES = *STD

Standard command/function range.

ADMIN-PRIVILEGES = *MINIMUM

Restricted command/function range for the VM2000 administrator.

390 The operand value *MINIMUM only be specified on SU /390 (/CREATE-VM in the configuration file of the monitor VM or when the monitor system is started up in dialog mode).

x86 On SU x86 the command/functional scope for the VM2000 administrator can only be restricted with /MODIFY-VM-ATTRIBUTES.

ADMIN-PRIVILEGES = *MAXIMUM

Extended command/function range for the VM administrator.

390 This operand value is ignored in the configuration file for the monitor VM. ADMIN-PRIVILEGES=*STD is used.

PRIVILEGES = *PARAMETERS(...)

Describes privileges of the VM.

IO-RESET = *NO / *YES

Specifies on SU /390 whether the channels are reset **in the hardware** for this VM at /START-VM or when the guest system is restarted or the channels reconfigured (see [page 142](#)).

IO-PRIORITY = *NO / *YES

Specifies on SU /390 whether a waiting virtual CPU of the VM is executed again on a real CPU by the VM2000 hypervisor immediately after the end of pending input/output for this VM (see [page 143](#)).



The total number of virtual CPUs of all the VMs with this privilege may not be greater than that of the real normal CPUs of the Server Unit.

AUTO-SNAP-ASSIGNMENT = *YES / *NO

Determines whether the guest system on the VM may implicitly assign itself snap units for Snapsets without the VM and device being assigned the ASSIGN-BY-GUEST privilege or attribute.

ASSIGN-BY-GUEST = *NO / *YES(...)

Specifies whether devices can also be implicitly assigned to this VM by the guest system (*YES). Alternatively (*NO), the devices must be assigned explicitly to the VM by the VM or VM2000 administrator. See [page 143](#).

SET-NAME =

Determines the assignment sets from which the guest system may implicitly assign devices to the VM. A VM can be explicitly assigned up to 28 assignment sets by means of explicit list specification.

SET-NAME = *STDSET / list-poss (8): <name 1..8> / *STDSET

Explicit specification of the assignment sets.

SET-NAME = *ALL

All existing and future assignment sets.

SET-NAME = *EXCEPT(SET-NAME = list-poss (8): <name 1..8> / *STDSET)

All existing and future assignment sets with the exception of those which are specified with SET-NAME.

VM-ACTIVE-IDLE =

Determines on SU /390 whether, in the event of fixed CPU assignment (dedicated CPUs), a VM still retains control over a real CPU if the VM's virtual CPU which runs on this is inactive (interruptible wait state), see [page 144](#).

VM-ACTIVE-IDLE = *NO

The VM2000 hypervisor deletes the real CPU assigned if the VM's virtual CPU which runs on this is inactive (interruptible wait state, "Idle").

VM-ACTIVE-IDLE = *AT-DEDICATED-CPU

The VM retains control over the real CPU even if the VM's virtual CPU which runs on this is inactive (interruptible wait state, "Idle"). This idle time is then indicated in the VM2000 accounting records, with /SHOW-VM-STATUS (VM-ACTIVE output column) and in the VM2000 report of openSM2 as a time in which the VM actively uses the real CPU.



With fixed CPU assignment, VM-ACTIVE-IDLE=*AT-DEDICATED-CPU is only effective if the VM's maximum CPU utilization (see [page 139](#)) is not restricted.

MONJV =

Defines a MONJV for monitoring the VM (see [page 145](#)).

MONJV = *NONE

No MONJV is defined.

MONJV = <filename 1..54 without-gen-vers>

The specified MONJV is supplied with data by VM2000; the sender of the command must therefore have write permission for the specified MONJV. If no catalog ID or user ID is specified in the file name, VM2000 completes the file name, in accordance with the runtime environment of the sender of the command.

If a file name which does not yet have a job variable is specified, VM2000 creates the MONJV as shareable and without a password.

JV-PASSWORD = *NONE / <c-string 1..4> / <x-string 1..8> / <integer ...>

Password of the MONJV for checking access authorization. The input field is automatically blanked in the guided dialog. The value input is not logged.



This operand is only evaluated if a previously created job variable was specified with MONJV.

MAX-MEMORY-SIZE = *STD / <integer 1..1048576>(DIMENSION = *MEGABYTE / *GIGABYTE)

Maximum size of the main memory for the VM when main memory is reconfigured. The default value is twice the size of the VM's main memory which is predefined by MEMORY-SIZE. Take note of the information on [page 138](#).

390 This operand has no effect for SU /390.

x86 The value must be a multiple of 2 Mbytes for SU x86.

PERSISTENT =

Determines whether a persistent VM is to be created.

PERSISTENT = *NO

A VM is created which is not persistent.

A non-persistent VM definition is created for the VM.

PERSISTENT = *YES

A persistent VM is created.

A persistent VM definition is created for the VM. The guest system on the VM is not started automatically (AUTO-IPL=*NO). The specifications for the automatic start (when the VM definition is activated with /ACTIVATE-VM-DEFINITION) can be modified with /MODIFY-VM-ATTRIBUTES after the VM has been initialized (see [page 512](#)).

Command return code, see also [page 431](#)

(SC2)	SC1	Maincode	Bedeutung
	0	CMD0001	Command successfully executed
1	0	CMD0001	No action required
2	0	CMD0001	Decimal specifications rounded to 2 decimal places
	64	VMS2101	VM2000 shutdown in progress
	64	VMS3002	Invalid operand value
	64	VMS2305	VM definition could not be created
	64	VMS2310	Generation of the VM definition not confirmed in the expected time
	64	VMS2311	Maximum permitted number of VM definitions already reached
	64	VMS2332	Storage for VM definitions cannot be reached (SU /390)
	64	VMS3034	ADMIN-PRIVILEGES=*MIN only permissible for the monitor VM
	64	VMS3035	IO-PRIORITY cannot be set (total of virtual CPUs with privilege too high)
	64	VMS4000	VM not yet created (*BEFORE-VM or *AFTER-VM operand)
	64	VMS4010	Maximum permitted number of VMs already reached
	64	VMS4011	Requested memory size or location not available
	64	VMS4012	Requested memory size too small
	64	VMS4013	VM name not available
	64	VMS4014	SVP error
	64	VMS4015	VM ID already reserved
	64	VMS4071	Invalid memory size or location
	64	VMS4093	Invalid memory size
	64	VMS4200	Assignment set not yet created
	64	VMS4340	MONJV could not be accessed
	64	VMS4341	MONJV already assigned to another VM
	64	VMS4400	VM group not yet created
	64	VMS4422	VM not assigned to the CPU pool of the VM group
	64	VMS4600	CPU pool not yet created
	64	VMS4612	No attached CPU is assigned to the CPU pool (SU x86)

Guaranteed messages

VMS4425, VMS4615

Example

```

/create-vm memory-size=1024,vm-name=system2,cpu-quota=30,
processor=*mono,password=c'sys2',monjv=jv-sys2 _____ (1)
VMS3050 VIRTUAL MACHINE (2,SYSTEM2) CREATED _____ (2)
VMS4615 VIRTUAL MACHINE (2,SYSTEM2) ASSIGNED TO CPU POOL '*STDPOOL'
/show-vm-attributes vm-id=system2 _____ (3)
      CPU-POOL(P)
VM-ID      VM-GROUP(G)  CPU-Q   MAX-U   PROC   MEM-SIZE  MAX-IO
  2 SYSTEM2  *STDPOOL(P)  30.00  100.00   1      1024 MB (100)

VM-ID      STATE          VERSION PER ADMIN PRIV
  2 SYSTEM2  INIT-ONLY          NO NO AS
/show-vm-attributes vm-id=system2,information=*monjv _____ (4)
VM-ID      VM-MONJVV
  2 SYSTEM2  :4IVR:$TSOS.JV-SYS2

/show-jv jv-contents=jv-sys2 _____ (5)
$I 0      4IVR      V0292014-07-09110022
SYSTEM2  002NONE

```

- (1) A VM is initialized by the VM2000 administrator. The VM receives the VM name SYSTEM2. It is created as a mono-VM. The size of main memory of the VM is 1024 Mbytes, and the CPU quota is 30. The password SYS2 is defined for dialog access. The MONJV jv-sys2 is used to monitor the VM.
- (2) VMVM2000 reports the initialization of the VM. The VM is assigned to the standard CPU pool.
- (3) The VM2000 administrator requests the attributes and status of VM2.
- (4) The VM2000 administrator queries the complete name of the MONJV.
- (5) The BS2000 command shows the contents of the MONJV (Column 1: Status \$I, Column 17: Identifier V); the guest system is not loaded (Columns 82-86: NONE.).

See also the detailed [“Example of operating VM groups” on page 223](#) and the detailed [“Example of managing CPU pools” on page 278](#).

CREATE-VM-ASSIGNMENT-SET

Create assignment set

`/CREATE-VM-ASSIGNMENT-SET` is used to create an assignment set in VM2000. Up to 254 assignment sets can be created. The assignment set `*STDSET` is created by VM2000 when VM2000 operation is initialized.

Devices can be assigned to a created assignment set using `/MODIFY-VM-DEVICE-ATTRIBUTES`. VMs can be privileged for this assignment set when the VM is initialized (see [page 135](#)) or with `/MODIFY-VM-ATTRIBUTES`.

This command is reserved for the VM2000 administrator.

CREATE-VM-ASSIGNMENT-SET

SET-NAME = <name 1..8>

SET-NAME = <name 1..8>

Name of the new assignment set.

Command return code, see also [page 431](#)

(SC2)	SC1	Maincode	Bedeutung
	0	CMD0001	Command successfully executed
	64	VMS4202	Assignment set already created
	64	VMS4210	Maximum number of assignment sets already created

Guaranteed messages

VMS4201

Example

```
/create-vm-assignment-set set-name=sys2impl
VMS4201 ASSIGNMENT SET 'SYS2IMPL' CREATED
```

See also the detailed examples for device and pubset management on [page 332](#) and on [page 359](#).

CREATE-VM-CPU-POOL

Create CPU pool

`/CREATE-VM-CPU-POOL` is used to create a CPU pool under VM2000.

CPUs, VMs and VM groups (SU /390) can be assigned to a created CPU pool.

This command is reserved for the VM2000 administrator.

CREATE-VM-CPU-POOL

CPU-POOL-NAME = <name 1..8>

CPU-POOL-NAME = <name 1..8>

Name of the new CPU pool.

x86 On SU x86 the characters #, \$ and @ should not be used in the CPU pool name.

Command return code, see also [page 431](#)

(SC2)	SC1	Maincode	Bedeutung
	0	CMD0001	Command successfully executed
	64	VMS4602	CPU pool already created
	64	VMS4610	Maximum number of CPU pools already created

Guaranteed messages

VMS4601

Example

```
/create-vm-cpu-pool cpu-pool-name=pcust1
```

```
VMS4601 CPU POOL 'PCUST1' CREATED
```

See also the detailed [“Example of managing CPU pools” on page 278](#).

CREATE-VM-DEFINITION

Create VM definition

`/CREATE-VM-DEFINITION` creates a persistent VM definition.

The following attributes and resources for the VM are entered in the VM definition:

- VM index and VM name (identification of the VM)
- Main memory size of the VM
- Minimum and maximum main memory size of the VM for main memory reconfiguration
- Multiprocessor level of the VM
- (Member) CPU quota and maximum CPU utilization of the VM
- Adding of the VM to a VM group (SU /390)
- Assignment of the VM to a CPU pool
- Settings for controlling the real CPU (SU /390)
- Maximum I/O utilization of the VM (SU /390)
- Devices for the VM
- The password for administration
- Range of commands for the VM administrator
- Privileges of the VM
 - ◻ **390** As it is recommended that a VM be created without the privileges `IO-PRIORITY` and `IO-RESET` (see [page 465](#)), `IO-PRIORITY=*NO` and `IO-RESET=*NO` should also be entered for the VM in the VM definition.
- Specifications for automatic startup of the guest system on the VM when activating the VM definition

After the command has been executed, a persistent VM definition with the specified VM name exists. Further `/CREATE-VM` or `/CREATE-VM-DEFINITION` commands with this VM name are rejected.

This command is reserved for the VM2000 administrator.

CREATE-VM-DEFINITION

```

VM-NAME = <name 1..8>
VM-INDEX = *ANY / <integer 2..99>
MEMORY-SIZE = <integer 1..1048576>(DIMENSION = *MEGABYTE / *GIGABYTE)
MIN-MEMORY-SIZE = *STD / <integer 1..1048576>(DIMENSION = *MEGABYTE / *GIGABYTE)
MAX-MEMORY-SIZE = *STD / <integer 1..1048576>(DIMENSION = *MEGABYTE / *GIGABYTE)
PROCESSOR = *MONO / *BI / *TRIPLE / *QUADRO / *OCTO / *MAXIMUM / *EXTRA-AND-NORMAL /
  <integer 1..32>
CPU-QUOTA = *STD / <fixed 0.01..99.99>(…) / *BY-VM-GROUP(…)
  <fixed 0.01..99.99>(…)
  | CPU-POOL-NAME = *STDPOOL / <name 1..8>
*BY-VM-GROUP(…)
  | VM-GROUP-NAME = <name 1..8>
  | MEMBER-CPU-QUOTA = *STD / <fixed 0.01..99.99>
MAX-CPU-UTILIZATION = 100 / <fixed 0.01..100.00>
VM-ACTIVE-IDLE= *NO / *AT-DEDICATED-CPUS
MAX-IO-UTILIZATION = 100 / <integer 1..100>
DEVICES = *NONE / list-poss(28): *PUBSET-DEVICES(…) / *DEVICE-RANGE(…) /
  <alphanum-name 1..4 with-wild(20)(…)>

*PUBSET-DEVICES(…)
  | PUBSET = *BY-PUBRES-DEVICE(…) / <cat-id 1..4>
  | *BY-PUBRES-DEVICE(…)
  | | UNIT = <alphanum-name 2..2> / <x-text 4..4>
  | USAGE = *EXCLUSIVE / *SHARED

*DEVICE-RANGE(…)
  | FROM = <alphanum-name 2..2> / <x-text 4..4>
  | TO = <alphanum-name 2..2> / <x-text 4..4>
  | USAGE = *EXCLUSIVE / *SHARED

<alphanum-name 1..4 with-wild(20)(…)>
  | USAGE = *EXCLUSIVE / *SHARED / *VC

```

(part 1 of 2)

```

,PASSWORD = *NONE / <c-string 1..8> / <x-string 1..16>
,ADMIN-PRIVILEGES = *STD / *MAXIMUM
,PRIVILEGES = *PARAMETERS(...)
  *PARAMETERS(...)
    IO-RESET = *NO / *YES
    ,IO-PRIORITY = *NO / *YES
    ,AUTO-SNAP-ASSIGNMENT = *YES / *NO
    ,ASSIGN-BY-GUEST = *NO / *YES(...)
      *YES(...)
        SET-NAME = *STDSET / *ALL / *EXCEPT(...) / list-poss(8): <name 1..8> / *STDSET
          *EXCEPT(...)
            SET-NAME = list-poss(8): <name 1..8> / *STDSET
,AUTO-IPL= *NO / *YES(...)
  *YES(...)
    IPL-UNIT = <alphanum-name 2..2> / <x-text 4..4>
    ,IPL-CONSOLE = <alphanum-name 2..2>
    ,MODE = *AUTOMATIC / *FAST
    ,SYSTEM-NAME = *NONE / <name 1..8>

```

(part 2 of 2)

VM-NAME = <name 1..8>

Name of the VM definition.

Identical to the name of the virtual machine which is to be initialized.

x86 See also the general conditions for SU x86 in section [“Recommendations for the definition and use of VM names” on page 136](#).

VM-INDEX =

The VM index.

VM-INDEX = *ANY

The VM index is assigned by VM2000 when the VM definition is activated.

VM-INDEX = <integer 2..99>

Specifies the VM index.



In the case of a standard name (e.g. VM0002), only the appropriate VM index (in this case 2) may be specified.

If VM-INDEX=*ANY is specified and the VM migrated at a later point (VM Migration), the VM will receive any free VM index on the target SU. Otherwise, the specified (fixed) VM index must be available on the target SU as well.

MEMORY-SIZE = <integer 1..1048576>(DIMENSION = *MEGABYTE / *GIGABYTE)

Predefined size of main memory for the appropriate VM up to a size of 1 Tbyte (terabyte; 1 Tbyte = 1024 Gbytes = 1 048 576 Mbytes).

x86 On SU x86 a small amount of a VM's main memory is required for the firmware component. The main memory of a VM should be at least 1024 Mbytes large, see [page 137](#). The value must be a multiple of 2 Mbytes.

MIN-MEMORY-SIZE = *STD / <integer 1..1048576>(DIMENSION = *MEGABYTE / *GIGABYTE)

Predefined minimum size of the main memory for the relevant VM when main memory is reconfigured. The default is the size of the main memory for the VM as defined by `MEMORY-SIZE`.

x86 On SU x86 the main memory of a VM should be at least 1024 Mbytes in size, see [page 137](#). The value must be a multiple of 2 Mbytes.

MAX-MEMORY-SIZE = *STD / <integer 1..1048576>(DIMENSION = *MEGABYTE / *GIGABYTE)

Predefined maximum size of the main memory for the VM when main memory is reconfigured. The default value is twice the size of the VM's main memory which is predefined by `MEMORY-SIZE`. Take note of the information on [page 138](#).

390 This operand has no effect for SU /390.

x86 The value must be a multiple of 2 Mbytes for SU x86.

PROCESSOR =

Envisaged multiprocessor level of the VM (see [page 259](#)).

PROCESSOR = *MONO

The VM is to be created with one virtual CPU.

PROCESSOR = *BI

The VM is to be created with two virtual CPUs.

PROCESSOR = *TRIPLE

The VM is to be created with three virtual CPUs.

PROCESSOR = *QUADRO

The VM is to be created with four virtual CPUs.

PROCESSOR = *OCTO

The VM is to be created with eight virtual CPUs.

PROCESSOR = *MAXIMUM

A VM with the maximum possible number of virtual CPUs is to be created. The maximum possible number of virtual CPUs matches the number of real normal CPUs which are available for VM2000 operation, see [page 257](#).

390 On SU /390 the maximum number of virtual CPUs is 16.

PROCESSOR = *EXTRA-AND-NORMAL

A VM is to be configured with as many virtual CPUs as normal CPUs and extra CPUs are available for VM2000 operation.

[390] On SU /390 up to 16 virtual CPUs are possible.

A VM with this number of CPUs can utilize the maximum CPU capacity, including the CPU capacity of the attached extra CPUs. For a Server Unit without extra CPUs this value is the same as the value of `PROCESSOR=*MAXIMUM`.

PROCESSOR = <integer 1..32>

A VM is set up with the number of virtual CPUs specified here. A value less than or equal to the value of `PROCESSOR=*MAXIMUM` is permissible.

CPU-QUOTA =

Envisaged CPU quota of the VM.

CPU-QUOTA = *STD / <fixed 0.01..99.99>(…)

CPU quota of a VM which is not (yet) to be assigned to a VM group when the VM definition is activated. Determines the VM's share of the CPU capacity of the CPU pool in comparison to the VM groups and the other VMs which have not been added to a VM group (see [page 283](#)).

The default value is `1(CPU-POOL-NAME=*STDPOOL)`, i.e. the VM is assigned to the standard CPU pool, but not to a VM group, when the VM definition is activated.

CPU-POOL-NAME =

Defines the CPU pool to which the VM is to be assigned when the VM definition is activated.

Every VM is always assigned to precisely one CPU pool.

When the VM definition is activated, the CPU pool must possess at least one attached real CPU.

CPU-POOL-NAME = *STDPOOL

The VM is assigned to the standard CPU pool.

CPU-POOL-NAME = <name 1..8>

Name of the CPU pool to which the VM is assigned.

CPU-QUOTA = *BY-VM-GROUP(...)

CPU quota of a VM which is to be assigned to the specified VM group when the VM definition is activated (SU /390). This determines the VM's CPU share in comparison to the other VMs in the VM group (see [page 217](#)). The VM is implicitly assigned to the CPU pool of the VM group.

VM-GROUP-NAME = <name 1..8>

Name of the VM group to which the VM is added.

MEMBER-CPU-QUOTA = *STD / <fixed 0.01..99.99>

Member CPU quota of the VM. The default value is 1.

MAX-CPU-UTILIZATION = 100 / <fixed 0.01..100.00>

Envisaged maximum CPU utilization of the VM (see [page 283](#)).

[390] If the VM belongs to a VM group, its maximum CPU utilization is also restricted by the "maximum CPU utilization of the VM group" (see [page 217](#)).

VM-ACTIVE-IDLE =

Determines on SU /390 whether, in the event of fixed CPU assignment (dedicated CPUs), a VM still retains control over a real CPU if the VM's virtual CPU which runs on this is inactive (interruptible wait state, "Idle"), see [page 144](#).

VM-ACTIVE-IDLE = *NO

The VM2000 hypervisor deletes the real CPU assigned if the VM's virtual CPU which runs on this is inactive (interruptible wait state, "Idle").

VM-ACTIVE-IDLE = *AT-DEDICATED-CPUS

The VM retains control over the real CPU even if the VM's virtual CPU which runs on this is inactive (interruptible wait state, "Idle"). This idle time is then indicated in the VM2000 accounting records, with /SHOW-VM-STATUS (VM-ACTIVE output column) and in the VM2000 report of openSM2 as a time in which the VM actively uses the real CPU.



With fixed CPU assignment, VM-ACTIVE-IDLE=*AT-DEDICATED-CPUS is only effective if the VM's maximum CPU utilization (see [page 139](#)) is not restricted.

MAX-IO-UTILIZATION = 100 / <integer 1..100>

Envisaged maximum I/O utilization of the VM (SU /390, see [page 393](#)).

DEVICES =

Determines the devices which are to be assigned to the VM when the VM definition is activated.

DEVICES = *NONE

No devices are to be assigned to the VM when the VM definition is activated.

DEVICES = *PUBSET-DEVICES(...)

The devices of a pubset are to be assigned to the VM when the VM definition is activated.



See also [“Notes on pubset specification in the VM2000 commands” on page 351](#) and [“Pubset reconfiguration” on page 353](#).

PUBSET =

Determines the pubset. Only the pubset is noted in the VM definition. The devices of the pubset are determined only when the VM definition is activated.

PUBSET = *BY-PUBRES-DEVICE(...)

Determines the devices of the pubset by means of the pubres device.

UNIT = <alphanum-name 2..2> / <x-text 4..4>

Mnemonic device name of the pubres device.

PUBSET = <cat-id 1..4>

Catalog ID of the pubset. The pubset must be entered together with its pubres device in the monitor system's MRS catalog.

USAGE =

Specifies the usage mode which the devices of the VM's pubset are to be assigned when the VM definition is activated.

USAGE = *EXCLUSIVE

The devices are to be assigned exclusively to the VM.

USAGE = *SHARED

The devices are to be assigned to the VM as shareable (usage mode SHARED), see [page 330](#).

DEVICES = *DEVICE-RANGE(...)

The VM is to be assigned all devices contained in this name range when the VM definition is activated. All devices currently contained in the name range are entered in the VM definition.



Device names `<x-text 4..4>` (in `*DEVICE-RANGE`) are selected from `FROM` to `TO` in hexadecimal order. Otherwise, device names `<alphanum-name 2..2>` are selected in alphabetical order.

390 If `UNITS` is specified with `*DEVICE-RANGE` or with wildcards, alias devices (PAV) and CRD devices are ignored.

FROM = <alphanum-name 2..2> / <x-text 4..4>

Defines the start of the name range.

TO = <alphanum-name 2..2> / <x-text 4..4>

Defines the end of the name range. The mnemonic device name must be in the same value range (2- or 4-digit mn) as the `FROM` device name and must be greater than or equal to the `FROM` device name in ascending order in the value range.

USAGE = *EXCLUSIVE / *SHARED

Specifies the usage mode which the devices in the name range of the VM are to be assigned when the VM definition is activated. See [page 484](#).

DEVICES = <alphanum-name 1..4 with-wild(20)>(...)

The VM is to be assigned the specified devices when the VM definition is activated. The devices are entered in the VM definition.

USAGE = *EXCLUSIVE / *SHARED

Specifies the usage mode which the devices of the VM are to be assigned when the VM definition is activated. See [page 484](#).

USAGE = *VC

The device is to be assigned exclusively to the VM as a virtual console when the VM definition is activated (SU /390). It must be appropriately generated. Only one device for each VM can be operated as a virtual console.

PASSWORD =

Password controlling access authorization in /BEGIN-VM-DIALOG. The password can be up to 8 bytes long.

PASSWORD = *NONE

No password is necessary.

PASSWORD = <c-string 1..8>

Password in character form.

PASSWORD = <x-string 1..16>

Password in hexadecimal form. Passwords comprising zeros only (X'00..00') are ignored.

ADMIN-PRIVILEGES =

Defines the envisaged command/function range for the VM administrator (see [page 234](#)).

ADMIN-PRIVILEGES = *STD

Standard command/function range.

ADMIN-PRIVILEGES = *MAXIMUM

Extended command/function range for the VM administrator.

PRIVILEGES = *PARAMETERS(...)

Describes privileges of the VM.

IO-RESET = *NO / *YES

Specifies on SU /390 whether the channels are reset in the **hardware** for this VM at /START-VM or when the guest system is restarted or the channels reconfigured (see [page 142](#)).

IO-PRIORITY = *NO / *YES

Specifies on SU /390 whether a waiting virtual CPU of the VM is executed again on a real CPU by the VM2000 hypervisor immediately after the end of pending input/output for this VM (see [page 143](#)).



The total number of virtual CPUs of all the VMs with this privilege may not be greater than that of the real normal CPUs of the Server Unit.

AUTO-SNAP-ASSIGNMENT = *YES / *NO

Determines whether the guest system on the VM may implicitly assign itself snap units for Snapsets without the VM and device being assigned the ASSIGN-BY-GUEST privilege or attribute.

ASSIGN-BY-GUEST = *NO / *YES(...)

Specifies whether devices can also be implicitly assigned to this VM by the guest system (*YES). Alternatively (*NO), the devices must be assigned explicitly to the VM by the VM or VM2000 administrator. See [page 143](#).

SET-NAME =

Determines the assignment sets from which the guest system may implicitly assign devices to the VM. A VM can be explicitly assigned up to 28 assignment sets by means of explicit list specification.

SET-NAME = *STDSET / list-poss (8): <name 1..8> / *STDSET

Explicit specification of the assignment sets.

SET-NAME = *ALL

All existing and future assignment sets.

SET-NAME = *EXCEPT(SET-NAME = list-poss (8): <name 1..8> / *STDSET)

All existing and future assignment sets with the exception of those which are specified with SET-NAME.

AUTO-IPL =

Determines whether the guest system on the VM is to be started automatically when the VM definition is activated.

AUTO-IPL = *NO

The guest system on the VM is not started automatically.

AUTO-IPL = *YES(...)

The guest system on the VM is started automatically.

The parameters for the automatic startup must be appropriately supplied with values.

IPL-UNIT = <alphanum-name 2..2> / <x-text 4..4>

Mnemonic device name of the disk device used for the initial program loading (IPL) of the guest system. The device must be assigned to the VM explicitly and exclusively.

IPL-CONSOLE = <alphanum-name 2..2>

Mnemonic device name of the KVP output device.

MODE = *AUTOMATIC / *FAST

Defines the type of system initialization (AUTOMATIC or FAST startup).

SYSTEM-NAME = *NONE / <name 1..8>

Specifies the system name.

390 The specification is ignored on SU /390.

Command return code, see also [page 431](#)

(SC2)	SC1	Maincode	Bedeutung
	0	CMD0001	Command successfully executed
1	0	VMS4035	No corresponding device found (possibly only alias or CRD devices were specified)
1	0	VMS4180	Specified set of devices empty
	64	VMS2305	VM definition could not be created
	64	VMS2310	Generation of the VM definition not confirmed in the expected time
	64	VMS2311	Maximum permitted number of VM definitions already reached
	64	VMS2313	Device specified more than once with different usage modes
	64	VMS2332	Storage for VM definitions cannot be reached (SU /390)
	64	VMS3002	Invalid value for operand
	64	VMS4006	Device not available
	64	VMS4012	Requested memory size too small
	64	VMS4013	VM name not available
	64	VMS4060	Only one virtual console possible per VM
	64	VMS4093	Invalid specifications for memory size of a VM
	64	VMS4190	Device is an alias device (PAV)
	64	VMS4195	Device is a CRD device
	64	VMS4253	Pubres device of the pubset which was specified via the CATID cannot be determined
	130	VMS2202	The uniqueness of the VM name cannot currently be checked

Guaranteed messages

VMS2301

Example

See [section "Examples of working with VM definitions" on page 207](#).

CREATE-VM-GROUP

Create VM group (SU /390)

x86 No VM groups are available on SU x86. The command is rejected with message VMS3011 and with general return code VMS9004.

/CREATE-VM-GROUP is used to create a VM group under VM2000.

When a VM group is created it is assigned the following attributes:

- Name of the VM group
- CPU quota of the VM group
- Maximum CPU utilization of the VM group
- CPU pool, to which the VM group is assigned

VMs can be assigned to a created VM group.

This command is reserved for the VM2000 administrator.

CREATE-VM-GROUP

```

VM-GROUP-NAME = <name 1..8>
, CPU-QUOTA = *STD / <fixed 0.01..99.99>
, MAX-CPU-UTILIZATION = 100 / <fixed 0.01..100.00>
, CPU-POOL-NAME = *STDPOOL / <name 1..8>

```

VM-GROUP-NAME = <name 1..8>

The name of the new VM group.

CPU-QUOTA = *STD / <fixed 0.01..99.99>

CPU quota of the VM group. Determines the CPU share of the VM group in comparison to other VM groups and VMs which do not belong to any VM group (see [page 217](#)). The default value is 1.

MAX-CPU-UTILIZATION = 100 / <fixed 0.01..100.00>

Maximum CPU utilization of the VM group, see [page 217](#). This value also restricts the maximum CPU utilization of each VM which is added to the VM group.

CPU-POOL-NAME = *STDPOOL / <name 1..8>

Name of the CPU pool to which the VM group is assigned. Each VM group is always assigned to precisely one CPU pool.



The CPU-QUOTA operand determines the VM groups's own CPU share in comparison to the other (individual) VMs and VM groups which are assigned to the CPU pool (see [page 294](#)).

Command return code, see also [page 431](#)

(SC2)	SC1	Maincode	Bedeutung
	0	CMD0001	Command successfully executed
2	0	CMD0001	Decimal specifications rounded to 2 decimal places
	64	VMS4610	VM group already created
	64	VMS4410	Maximum number of VM groups already reached
	64	VMS4600	CPU pool not yet created

Guaranteed messages

VMS4401, VMS4625

Example

```
/create-vm-group vm-group-name=gcust1,cpu-quota=20,
                 max-cpu-utilization=20,cpu-pool-name=*stdpool _____ (1)
VMS4401 VM GROUP 'GCUST1' CREATED
VMS4625 VM GROUP 'GCUST1' ASSIGNED TO CPU POOL '*STDPOOL'
```

- (1) The VM2000 administrator creates the VM group GCUST1 and assigns it a CPU quota and a maximum CPU utilization of 20. VM group GCUST1 is assigned to the standard CPU pool.

See also the detailed [“Example of operating VM groups” on page 223](#).

DELETE-VM

Terminate a VM

One or more VMs are terminated using /DELETE-VM. The device assignment, the assignment to a CPU pool, the affiliation to a VM group and initialization of the VM are canceled. The VM definition of a non-persistent VM is deleted. The VM definition of a persistent VM is retained.

The monitor VM cannot be terminated by this command.

x86 On SU x86 the main memory is released asynchronously and this can take several seconds. Only then is the released memory available for other or new VMs.

When the /DELETE-VM command is issued, all ADMIN dialogs with the VM and all VC dialogs with the guest system on the VM are terminated implicitly. The output of periodic monitored data (/SHOW-VM-STATUS PERIOD=<integer>) for the VM is also terminated.

i /DELETE-VM . . . ,CHECK-VM-STATE=*NO terminates an active guest system immediately. As a result, files of the guest system which is running on the VM may be inconsistent. To prevent this from happening, a shutdown should be executed before the VM in the guest system is terminated.

If /DELETE-VM could not be executed, the VM remains in the state IN HOLD. It is not normally possible to resume guest system execution with /RESUME-VM, as important resources may already have been removed from the VM.

DELETE-VM

```
VM-IDENTIFICATION = *CURRENT / *ALL / <integer 1..99> / <name 1..8>
, CHECK-VM-STATE = *YES / *NO
```

VM-IDENTIFICATION =

Identification of the virtual machine.

VM-IDENTIFICATION = *CURRENT

The VM identification assigned previously by means of /BEGIN-VM-DIALOG is used.

VM-IDENTIFICATION = *ALL

All VMs are to be terminated.

This operand is only permitted for the VM2000 administrator.

VM-IDENTIFICATION = <integer 1..99> / <name 1..8>

Identifies the virtual machine by means of a VM index or VM name.

CHECK-VM-STATE =

Determines whether the command is executed, depending on the current state of the VM.

CHECK-VM-STATE = *YES

The command is only executed if the VM is in the DOWN or INIT-ONLY state. A VM cannot be terminated with CHECK-VM-STATE=*YES while it is being migrated (Live Migration).

CHECK-VM-STATE = *NO

The command is executed regardless of the VM state.

Command return code, see also [page 431](#)

(SC2)	SC1	Maincode	Bedeutung
	0	CMD0001	Command successfully executed
1	0	CMD0001	No action required
2	0	VMS2306	VM definition could not be updated (SU /390, persistent VM)
2	0	VMS2308	VM definition could not be deleted (SU /390, non-persistent VM)
	64	VMS3040	Not processed because of the state of the VM
	64	VMS4000	VM not yet created
	64	VMS4002	VM could not be terminated
	64	VMS9005	Command not or only partially processed
	128	VMS3042	VM being migrated

Guaranteed messages

VMS3041, VMS4002, VMS4024, VMS4429, VMS4619 and the guaranteed messages for / REMOVE-VM-DEVICES.

Example

```
/delete-vm vm-id=system2,check-vm-state=*no _____ (1)
VMS4009 DEVICE 'CG' REMOVED FROM VIRTUAL MACHINE (2,SYSTEM2)
VMS4009 DEVICE 'CH' REMOVED FROM VIRTUAL MACHINE (2,SYSTEM2)
VMS4009 DEVICE '505A' REMOVED FROM VIRTUAL MACHINE (2,SYSTEM2)
VMS4009 DEVICE '505F' REMOVED FROM VIRTUAL MACHINE (2,SYSTEM2)
VMS4009 DEVICE '5060' REMOVED FROM VIRTUAL MACHINE (2,SYSTEM2)
VMS4619 VIRTUAL MACHINE (2,SYSTEM2) REMOVED FROM CPU POOL '*STDPOOL'
VMS4024 VIRTUAL MACHINE (2,SYSTEM2) TERMINATED _____ (2)
```

- (1) The VM with the name SYSTEM2 is terminated by the VM2000 administrator without regard for the system state.
- (2) VM2000 confirms termination of VM2.

DELETE-VM-ASSIGNMENT-SET

Delete assignment set

/DELETE-VM-ASSIGNMENT-SET is used to delete an assignment set.

The following conditions must be satisfied:

- No further device may be assigned to the assignment set.
- The assignment set may not be in use for new devices (/MODIFY-VM-DEVICE-ATTRIBUTES UNITS=*NEW-DEVICES).
- The assignment set may no longer be assigned to a VM (ASSIGN-BY-GUEST=*YES(SET-NAME=...) privilege).

The assignment set *STDSET cannot be deleted.

The EXCEPT list of the assignment sets for a VM will be reduced if required.

This command is reserved for the VM2000 administrator.

DELETE-VM-ASSIGNMENT-SET
SET-NAME = <name 1..8>

SET-NAME = <name 1..8>

Name of the assignment set.

Command return code, see also [page 431](#)

(SC2)	SC1	Maincode	Bedeutung
	0	CMD0001	Command successfully executed
	64	VMS4200	Assignment set not yet created
	64	VMS4204	Assignment set is still in use

Guaranteed messages

VMS4205

Example

```
/delete-assignment-set set-name=sys2impl
VMS4205 ASSIGNMENT SET 'SYS2IMPL' DELETED
```

See also the detailed examples for device and pubset management on [page 332](#) and on [page 359](#).

DELETE-VM-CPU-POOL

Delete CPU pool

/DELETE-VM-CPU-POOL is used to delete a CPU pool.

No CPUs may still be contained in the CPU pool. No (single) VMs or VM groups may still be assigned to the CPU pool. The standard CPU pool *STDPPOOL and the statistic CPU-Pools *POOL0 and *FOREIGN (SU x86) cannot be deleted.

This command is reserved for the VM2000 administrator.

DELETE-VM-CPU-POOL

CPU-POOL-NAME = <name 1..8>
--

CPU-POOL-NAME = <name 1..8>

Name of the CPU pool.

Command return code, see also [page 431](#)

(SC2)	SC1	Maincode	Bedeutung
	0	CMD0001	Command successfully executed
	64	VMS4600	CPU pool not yet created
	64	VMS4604	CPU pool still contains a CPU
	64	VMS4614	VM still assigned to CPU pool
	64	VMS4624	VM group still assigned to CPU pool

Guaranteed messages

VMS4605

Example

```
/delete-vm-cpu-pool cpu-pool-name=pcust1
VMS4605 CPU POOL 'PCUST1' DELETED
```

See also the detailed [“Example of managing CPU pools” on page 278](#).

DELETE-VM-DEFINITION

Delete VM definition

/DELETE-VM-DEFINITION is used to delete a VM definition. The VM definition may not belong to an initialized VM.

This command is reserved for the VM2000 administrator.

DELETE-VM-DEFINITION

VM-NAME = <name 1..8>

VM-NAME = <name 1..8>

Name of the VM definition which is to be deleted.

Command return code, see also [page 431](#)

(SC2)	SC1	Maincode	Bedeutung
	0	CMD0001	Command successfully executed
	64	VMS2300	VM definition does not exist
	64	VMS2309	VM definition could not be deleted
	64	VMS2310	Deletion of the VM definition not confirmed in the expected time
	64	VMS2332	Storage for VM definitions cannot be reached (SU /390)
	64	VMS4015	VM already initialized

Guaranteed messages

VMS2302.

Example

See [section "Examples of working with VM definitions" on page 207](#).

DELETE-VM-GROUP

Delete VM group (SU /390)

x86 No VM groups are available on SU x86. The command is rejected with message VMS3011 and with general return code VMS9004.

/DELETE-VM-GROUP is used to delete a VM group.

A VM group can be deleted only if no VMs are still assigned to it.

This command is reserved for the VM2000 administrator.

DELETE-VM-GROUP
VM-GROUP-NAME = <name 1..8>

VM-GROUP-NAME = <name 1..8>

Name of the VM group.

Command return code, see also [page 431](#)

(SC2)	SC1	Maincode	Bedeutung
	0	CMD0001	Command successfully executed
	64	VMS4400	VM group not yet created
	64	VMS4404	VM group still contains VMs

Guaranteed messages

VMS4405, VMS4629

Example

```
/delete-vm-group vm-group-name=gcust1
VMS4629 VM GROUP 'GCUST1' REMOVED FROM CPU POOL '*STDPool'
VMS4405 VM GROUP 'GCUST1' DELETED
```

See also the detailed [“Example of operating VM groups”](#) on page 223.

DETACH-VM-RESOURCES

Detach real CPUs

/DETACH-VM-RESOURCES is used to detach attached real normal CPUs and extra CPUs for VM2000 operation.

This command is reserved for the VM2000 administrator.

DETACH-VM-RESOURCES

UNIT = *CPU(...) / ***EXTRA-CPU(...)**

***CPU(...)**

CPU-IDENTIFICATION = *ANY(...) / list-poss(63): <x-text 1..2>

***ANY(...)**

CPU-POOL-NAME = *UNIQUE / ***STDPOOL** / <name 1..8>

***EXTRA-CPU(...)**

CPU-IDENTIFICATION = *ALL(...) / ***ANY(...)** / list-poss(63): <x-text 1..2>

***ALL(...)**

CPU-POOL-NAME = *UNIQUE / ***STDPOOL** / <name 1..8> / ***ALL**

***ANY(...)**

CPU-POOL-NAME = *UNIQUE / ***STDPOOL** / <name 1..8>

UNIT = *CPU(...)

Specifies real normal CPUs to be detached.



Detaching a real CPU has no effect on the reconfiguration state (attached/detached) of the virtual CPUs of a VM. Virtual CPUs may be detached in the BS2000 guest system by means of the BS2000 command /DETACH-DEVICE UNIT=*CPU(CPU-IDENTIFIER=<mn>).

The last available real normal CPU cannot be detached.

The last available real CPU of a CPU pool in which VMs are still active and the last available real normal CPU cannot be detached.

VM2000 prevents the last attached real CPU in a CPU pool from being detached in the following cases:

- 390 if a VM in RUNNING, IN HOLD (WAIT) or SETUP(MIGR) state is assigned to the CPU pool (message/return code VMS4617)
- x86 When the CPU pool has not yet been assigned a VM

CPU-IDENTIFICATION = *ANY(...)

Selects any real normal CPU from a CPU pool.

CPU-POOL-NAME =

Determines the CPU pool.

CPU-POOL-NAME = *UNIQUE

A real normal CPU from the CPU pool (*STDPOOL) is selected (operand provided for reasons of compatibility with earlier VM2000 versions).

CPU-POOL-NAME = *STDPOOL / <name 1..8>

Name of the CPU pool.

CPU-IDENTIFICATION = list-poss(63): <x-text 1..2>

Identifier of the normal CPU.

UNIT = *EXTRA-CPU(...)

Specifies the extra CPUs to be detached, see [page 266](#).

CPU-IDENTIFICATION = *ALL(...)

Selects all extra CPUs from a CPU pool.

CPU-POOL-NAME =

Determines the CPU pool.

CPU-POOL-NAME = *UNIQUE

All extra CPUs from the CPU pool (*STDPOOL) are selected (operand provided for reasons of compatibility with earlier VM2000 versions).

CPU-POOL-NAME = *STDPOOL / <name 1..8>

Name of the CPU pool.

CPU-POOL-NAME = *ALL

All extra CPUs from all CPU pools are selected.

CPU-IDENTIFICATION = *ANY(...)

Selects any extra CPU from a CPU pool.

CPU-POOL-NAME =

Determines the CPU pool.

CPU-POOL-NAME = *UNIQUE

One extra CPU from the CPU pool *STDPOOL is selected (operand provided for reasons of compatibility with earlier VM2000 versions).

CPU-POOL-NAME = *STDPOOL / <name 1..8>

Name of the CPU pool.

CPU-IDENTIFICATION = list-poss(63): <x-text 1..2>

Identifier of the extra CPU.

Command return code, see also [page 431](#)

(SC2)	SC1	Maincode	Bedeutung
	0	CMD0001	Command successfully executed
1	0	CMD0001	No action required
	64	VMS3002	Invalid operand value (operand CPU-ID)
	64	VMS4043	CPU not known in system
	64	VMS4048	CPU is last available CPU. Reconfiguration not possible
	64	VMS4078	CPU not detached due to CPU attribute
	64	VMS4079	No adequate CPU attached
	64	VMS4151	CPU could not be detached due to its state
	64	VMS4270	No extra CPU in the configuration
	64	VMS4600	CPU pool not yet created
	64	VMS4609	Several CPU pools created
	64	VMS4611	Selected CPUs do not belong to CPU pool
	64	VMS4617	Last attached CPU of an active CPU pool
	64	VMS9005	Command not or only partially processed

Guaranteed messages

VMS4043, VMS4045, VMS4047, VMS4048, VMS4077, VMS4078, VMS4151

Example

```

/show-vm-resources information=*cpu _____ (1)
VM-ID      CPU-POOL  GR-CPU-Q  CPU-Q/  EFF-Q  MAX-U/  EFF-U  PROC
1 M4IVR    *STDPOOL  20.00     1.00/  12.04  80.00/  80.00  2(+1)
2 G4IVQ    *STDPOOL           26.00/  15.66  100.00/100.00  4(+1)
3 G4IVP    *STDPOOL  50.00     4.00/  24.09  100.00/  50.00  2(+1)
4 G4IVO    *STDPOOL  50.00     1.00/   6.02  100.00/  50.00  1(+1)
5 G4IVJ    *STDPOOL           70.00/  42.16  100.00/100.00  2(+1)

VM-ID      SCHED  ACT-I  VIRT  CPUS
1 M4IVR    TS     NO     00(RUN),01(RUN),02(OFF)
2 G4IVQ    TS     NO     00(RUN),01(RUN),02(STOP),03(STOP),
           04(OFF)
3 G4IVP    TS     NO     00(RUN),01(RUN),02(OFF)
4 G4IVO    TS     NO     00(RUN),01(SLEEP)
5 G4IVJ    -     NO     00(IDLE),01(IDLE),02(OFF)

CPU-ATTR   CPU-POOL  REAL  CPUS
NORMAL     *STDPOOL  00(ATT),01(ATT)
EXTRA      *STDPOOL  02(ATT),03(ATT) _____ (2)
SPARE      *STDPOOL  04(DET)

```

```

/detach-vm-resources unit=*extra-cpu _____ (3)
VMS4077 EXTRA-CPU 02 DETACHED
VMS4077 EXTRA-CPU 03 DETACHED

/detach-vm-resources unit=*cpu(cpu-id=01) _____ (4)
VMS4045 CPU 01 DETACHED

/show-vm-resources information=*cpu _____ (5)
VM-ID      CPU-POOL  GR-CPU-Q  CPU-Q/  EFF-Q  MAX-U/  EFF-U  PROC
1 M4IVR    *STDPOOL  20.00     1.00/  12.04  80.00/  80.00  2(+1)
2 G4IVQ    *STDPOOL           26.00/  15.66  100.00/100.00  4(+1)
3 G4IVP    *STDPOOL  50.00     4.00/  24.09  100.00/  50.00  2(+1)
4 G4IVO    *STDPOOL  50.00     1.00/   6.02  100.00/  50.00  1(+1)
5 G4IVJ    *STDPOOL           70.00/  42.16  100.00/100.00  2(+1)

VM-ID      SCHED  ACT-I  VIRT  CPUS
1 M4IVR    TS     NO     00(RUN),01(RUN),02(OFF)
2 G4IVQ    TS     NO     00(RUN),01(RUN),02(BLOCK),03(BLOCK),
          04(OFF)
3 G4IVP    TS     NO     00(RUN),01(RUN),02(OFF)
4 G4IVO    TS     NO     00(RUN),01(SLEEP)
5 G4IVJ    -      NO     00(IDLE),01(IDLE),02(OFF)

CPU-ATTR   CPU-POOL  REAL  CPUS
NORMAL     *STDPOOL  00(ATT),01(DET)
EXTRA      *STDPOOL  02(DET),03(DET) _____ (6)
SPARE      *STDPOOL  04(DET)

```

- (1) The VM2000 administrator requests information on the CPU state.
- (2) All real normal CPUs and the extra CPU are attached.
- (3) All extra CPUs are detached.
- (4) Real normal CPU 01 is detached.
- (5) The VM2000 administrator requests information on the CPU state.
- (6) Real normal CPU 01 and the extra CPUs are detached.

See also the detailed [“Example of managing CPU pools” on page 278](#).

END-VM-DIALOG

Terminate administration or operation

`/END-VM-DIALOG` is used to terminate an ADMIN dialog or VC dialog opened with a corresponding `/BEGIN-VM-DIALOG`. Termination of guest system operation with BS2000 consoles is described on [page 102](#).

`/END-VM-DIALOG` also clears the connection to `$VMCONS` if the terminal was only connected to `$VMCONS` (`OPNCON`), but no dialog has yet been opened.

When the `/DELETE-VM` command is issued, all ADMIN dialogs with the VM and all VC dialogs with the guest system on the VM are terminated implicitly.



The VM administrator can enter `/END-VM-DIALOG` for his/her VM.

If the VM2000 administrator enters `/END-VM-DIALOG` for a VM other than the monitor VM, all affected dialogs of the VM are terminated, depending on the specification in the `TYPE` operand (ignoring the `DISCONNECT` operand).

If the VM2000 administrator enters `/END-VM-DIALOG` for the monitor VM from a BS2000 console, all ADMIN dialogs of the monitor VM are terminated.

The output of periodic monitored data (`/SHOW-VM-STATUS PERIOD=<integer>`) is terminated if the associated ADMIN dialog is terminated.

If VC dialogs only are conducted across a `$VMCONS` connection, `/END-VM-DIALOG` must be specified with the prefix `VM00:` to distinguish it from inputs at the guest system.

END-VM-DIALOG

`VM-IDENTIFICATION = *CURRENT / <integer 1..99> / <name 1..8>`

`,DISCONNECT = *YES / *NO`

`,TYPE = *BOTH / *ADMIN / *VC`

VM-IDENTIFICATION =

Identification of the virtual machine.

VM-IDENTIFICATION = *CURRENT

The VM identification assigned previously by means of `/BEGIN-VM-DIALOG` is used.

VM-IDENTIFICATION = <integer 1..99> / <name 1..8>

Identifies the virtual machine by means of a VM index or VM name.

DISCONNECT = *YES / *NO

Determines whether or not the connection to \$VMCONS is to be cleared down. The DISCONNECT operand is only evaluated when the last dialog of a connection to \$VMCONS is terminated. This operand is not evaluated for ADMIN dialogs from a privileged user task. It is also evaluated if the VM2000 administrator terminates dialogs of other VMs.

TYPE =

Defines the type of dialog to be terminated for command input via \$VMCONS. This operand is ignored with command input from a privileged user task, as in this case only one ADMIN dialog can be conducted.

TYPE = *BOTH

Both the ADMIN dialog and all the VC dialogs are to be terminated.

TYPE = *ADMIN

The ADMIN dialog is to be terminated.

TYPE = *VC

The VC dialogs are to be terminated.

Command return code, see also [page 431](#)

(SC2)	SC1	Maincode	Bedeutung
	0	CMD0001	Command successfully executed
	64	VMS1037	No corresponding dialog has been opened
	64	VMS1039	TYPE specification is not allowed
	64	VMS4000	VM not yet created

Example (using \$VMCONS)

```

vm02: /end-vm-dialog _____ (1)
VM01: % VMS1012 PARTNER HAS TERMINATED AN ADMINISTRATION DIALOG WITH
        VIRTUAL MACHINE (2,SYSTEM2). ADMINISTRATION-ID USED '@002' _____ (2)
VM01: % VMS1032 PARTNER HAS TERMINATED A VC DIALOG WITH
        VIRTUAL MACHINE (2,SYSTEM2)
VM02:VMS3000 VM2000 COMMAND /END-VM-DIALOG FOR
        VIRTUAL MACHINE (2,SYSTEM2) PROCESSED SUCCESSFULLY
VM02:NBR0740 COMMAND COMPLETED 'END-VM-DIALOG';
        (RESULT: SC2=000, SC1=000, MC=CMD0001); DATE: <date>
@: OMS0006 CONNECTION TO PARTNER ($VMCONS/D021ZE01) LOST
        (PAC=VM02; CODE=00000000)

```

- (1) The VM administrator terminates the ADMIN dialog and the VC dialog.
- (2) The VM2000 administrator is informed of the termination of the ADMIN dialog and the VC dialog.

EXTEND-VM-MEMORY

Increase main memory for a VM

`/EXTEND-VM-MEMORY` enables you to enlarge the main memory of a VM, even when the guest system is running. A new value can be set for the minimum main memory size. The reconfiguration of the main memory can be monitored with a monitor job variable.

After the main memory expansion, the new main memory sizes are noted in the VM definition.

The main memory of a VM cannot be enlarged while it is being migrated (VM Migration).

x86 On SU x86 the main memory can be extended to the maximum size set, see [page 138](#) and [page 316](#).

Main memory reconfiguration is possible for VMs in the INIT-ONLY or DOWN states. In the case of active guest systems (VM state RUNNING), main memory reconfiguration is only possible after `SYSTEM READY` for the guest system. Main memory reconfiguration is not possible for VMs in the IN HOLD (WAIT) status.

Since dynamic reconfiguration of main memory requires measures to be taken both in the (active) guest system and in VM2000, the process can be time-consuming. The actual main memory reconfiguration takes place asynchronously after the command has been accepted. During this time any further `/EXTEND-VM-MEMORY` or `/REDUCE-VM-MEMORY` command for the same VM will be rejected.

The `/MOVE-VM (SU /390)` and `/START-VM` commands can be executed during main memory reconfiguration. In this case, the new main memory size is used as the main memory size for the relevant VM. The same applies when the guest system is restarted.

x86 On SU x86, aborting a main memory reconfiguration with `/START-VM`, `/RESET-VM` or `/DELETE-VM` should be avoided.

Reason: The reconfiguration will only be aborted in BS2000 but continued in the firmware and the carrier system. A BS2000 IPL with `/START-VM` may be delayed until the reconfiguration in the carrier system is complete.

This command is reserved for the VM2000 administrator.

EXTEND-VM-MEMORY

```

VM-IDENTIFICATION = <integer 1..99> / <name 1..8>
,NEW-MEMORY-SIZE = *UNCHANGED / *MAXIMUM /
                    <integer 1..1048576>(DIMENSION = *MEGABYTE / *GIGABYTE)
,NEW-MIN-MEMORY-SIZE = *UNCHANGED / *MAXIMUM /
                        <integer 1..1048576>(DIMENSION = *MEGABYTE / *GIGABYTE)
,MONJV = *NONE / <filename 1..54 without-gen-vers>
,JV-PASSWORD = *NONE / <c-string 1..4> / <x-string 1..8> / <integer -2147483648..2147483647>

```

VM-IDENTIFICATION = <integer 1..99> / <name 1..8>

Identifies the virtual machine by means of a VM index or VM name. The monitor VM's main memory can also be enlarged.

NEW-MEMORY-SIZE = *UNCHANGED / *MAXIMUM / <integer 1..1048576> (DIMENSION = *MEGABYTE / *GIGABYTE)

New size of main memory after enlargement for the relevant VM up to a size of 1 Tbyte (terabyte; 1 Tbyte = 1024 Gbytes = 1 048 576 Mbytes).

[390] If ***MAXIMUM** is specified, the main memory size is increased up to the next VM or to the end of the available main memory.

[x86] The value must be a multiple of 2 Mbytes. It may not be greater than the **MAX-MEMORY-SIZE** of the VM. When ***MAXIMUM** is specified, the main memory size is extended to the **MAX-MEMORY-SIZE** of the VM. When the **NEW-MEMORY-SIZE** of the VM is greater than the main memory which is available, the VM is assigned the main memory which is available.

NEW-MIN-MEMORY-SIZE = *UNCHANGED / *MAXIMUM / <integer 1..1048576> (DIMENSION = *MEGABYTE / *GIGABYTE)

New minimum size of the main memory for the relevant VM when main memory is reconfigured. The new minimum size of the main memory must not be less than the previous minimum size.

[x86] The value must be a multiple of 2 Mbytes.

If ***MAXIMUM** is specified, the main memory size defined by **(NEW-)MEMORY-SIZE** is chosen for the VM.

MONJV =

Defines a MONJV for monitoring the reconfiguration of the main memory (see [page 317](#)).

MONJV = *NONE

No MONJV is defined.

MONJV = <filename 1..54 without-gen-vers>

The specified MONJV is supplied with data by VM2000; the sender of the command must therefore have write permission for the specified MONJV. If no catalog ID or user ID is specified in the file name, VM2000 completes the file name, in accordance with the runtime environment of the sender of the command. If a file name which does not yet have a job variable is specified, VM2000 creates the MONJV as shareable and without a password.

JV-PASSWORD = *NONE / <c-string 1..4> / <x-string 1..8> / <integer ...>

Password of the MONJV for checking access authorization. The input field is automatically blanked in the guided dialog. The value input is not logged.



This operand is only evaluated if a previously created job variable was specified with MONJV=.

Command return code, see also [page 431](#)

(SC2)	SC1	Maincode	Bedeutung
	0	CMD0001	Command successfully executed
1	0	CMD0001	No action required
	64	VMS2070	VM in the IN HOLD (WAIT) state
	64	VMS4000	VM not yet created
	64	VMS4011	Requested memory size or location not available
	64	VMS4071	Invalid memory size or location
	64	VMS4091	A guest system for which main memory reconfiguration is not possible is running on the VM
	64	VMS4092	Memory reconfiguration is still active
	64	VMS4093	Invalid memory size
	64	VMS4340	Opening of MONJV rejected by subsystem JV
	64	VMS4341	MONJV already assigned to another VM
	128	VMS3042	VM being migrated

Guaranteed messages

VMS2306 (SU /390)

Example

```

/show-vm-resources information=*memory _____ (1)
VM-ID      LOC-BEGIN  MEM-SIZE  MIN-MEM-S  MAX-MEM-S  DEST-MEM-S
HYPERVISOR 00000000          16
  1 MONITOR 00000010          512          512
  2 SYSTEM2 00000210          128          128
NONE       00000290          15216
LARGEST FREE DOMAIN:          15216
/extend-vm-memory vm-id=2,new-memory-size=256 _____ (2)
/show-vm-resources information=*memory
VMS4094 MEMORY-RECONFIGURATION FOR VIRTUAL MACHINE (2,SYSTEM2) HAS BEEN
        SUCCESSFULLY PROCESSED. CURRENT MEMORY SIZES: 128 / 256 _____ (3)
VM-ID      LOC-BEGIN  MEM-SIZE  MIN-MEM-S  MAX-MEM-S  DEST-MEM-S
HYPERVISOR 00000000          16
  1 MONITOR 00000010          512          512
  2 SYSTEM2 00000210          256          128 _____ (4)
NONE       00000310          15088
LARGEST FREE DOMAIN:          15088

```

- (1) The VM2000 administrator fetches information on the main memory distribution in VM2000. VM2 has a main memory size of 128 Mbytes and a minimum memory size of 128 Mbytes. Since the guest system on VM2 has already reached SYSTEM READY it is possible to reconfigure the main memory in this guest system. The subsequent memory area has not been assigned, so that the main memory for VM2 can be enlarged.
- (2) The main memory for VM2 is to be enlarged to 256 Mbytes. The minimum main memory size is unchanged.
- (3) After its completion, the result of the asynchronously executing reconfiguration request is reported to the VM2000 administrator as an asynchronous (guaranteed) message in the user event stream or displayed at the next input (main memory reconfiguration is time-consuming).
- (4) The main memory size for VM2 is now 256 Mbytes. This reduces the remaining free main memory.

HOLD-VM

Suspend VM

`/HOLD-VM` is used to suspend one or more VMs. The monitor VM cannot be suspended. After execution of the command, the VM is in the IN HOLD(WAIT) state.

The change of state is also noted in the VM definition.

A VM cannot be suspended while it is being migrated (VM Migration).

This command can be canceled by entering `/RESUME-VM`. The following rules apply:

- The wait state of a VM suspended by the VM administrator can be canceled by the VM2000 administrator
- The wait state of a VM suspended by the VM2000 administrator cannot be canceled by the VM administrator



Precautions must be taken for guest systems in the MSCF network to ensure that the guest system is not regarded as failed while it is suspended.

Current I/O operations are still executed. However, termination interrupts for these I/O operations are not accepted by the guest system until after the end of the wait state.

Overlapping wait states are described on [page 162](#).

HOLD-VM
VM-IDENTIFICATION = <u>*CURRENT</u> / *ALL / <integer 1..99> / <name 1..8>

VM-IDENTIFICATION =

Identification of the virtual machine.

VM-IDENTIFICATION = *CURRENT

The VM identification assigned previously by means of `/BEGIN-VM-DIALOG` is used.

VM-IDENTIFICATION = *ALL

All currently running VMs except the monitor VM and the VM for which a VM Migration is running, are suspended. This operand is only permitted for the VM2000 administrator.

VM-IDENTIFICATION = <integer 1..99> / <name 1..8>

Identifies the virtual machine by means of a VM index or VM name.

Command return code, see also [page 431](#)

(SC2)	SC1	Maincode	Bedeutung
	0	CMD0001	Command successfully executed
1	0	CMD0001	No action required
2	0	VMS2306	VM definition could not be updated (SU /390)
	64	VMS1002	Command not permitted for the monitor VM
	64	VMS2101	VM2000 shutdown in progress
	64	VMS4000	VM not yet created
	64	VMS9005	Command not or only partially processed
	128	VMS3042	VM being migrated

Guaranteed messages

VMS2000, VMS2012, VMS3041

Example

```

/show-vm-attributes vm-id=system2 _____ (1)
      CPU-POOL(P)
VM-ID      VM-GROUP(G)  CPU-Q    MAX-U   PROC    MEM-SIZE  MAX-IO
 2 SYSTEM2  *STDPOOL(P)  30.00   100.00  1(+1)           128 (100)

VM-ID      STATE                VERSION PER ADMIN PRIV
 2 SYSTEM2  RUNNING                    V10.0A  NO  NO   AS _____ (2)
/hold-vm vm-id=system2 _____ (3)
VMS2012 VIRTUAL MACHINE (2,SYSTEM2) PLACED IN WAIT STATE BY THE
      VM2000 ADMINISTRATOR
/show-vm-attributes vm-id=system2
      CPU-POOL(P)
VM-ID      VM-GROUP(G)  CPU-Q    MAX-U   PROC    MEM-SIZE  MAX-IO
 2 SYSTEM2  *STDPOOL(P)  30.00   100.00  1(+1)           128 (100)

VM-ID      STATE                VERSION PER ADMIN PRIV
 2 SYSTEM2  WAIT(SEL)                V10.0A  NO  NO   AS _____ (4)

```

- (1) The VM2000 administrator requests the status of VM2.
- (2) VM2 is in the RUNNING state.
- (3) The VM2000 administrator suspends VM2 by means of /HOLD-VM.
- (4) VM2 is in the state WAIT(SEL).

MIGRATE-VM

Migrate VM

/MIGRATE-VM migrates the specified VM from the local Server Unit (source SU) to the required Server Unit (target SU).

After the synchronous checking of the prerequisites for the VM, control is given back to the caller. The VM Migration itself is executed asynchronously. It can be monitored with a MONJV.

During the VM Migration, the VM is only stopped for a short time. User operation, network transfers and transactions on the guest system continue normally on the target SU.

This command is reserved for the VM2000 administrator.

MIGRATE-VM

```

VM-IDENTIFICATION = <integer 1..99> / <name 1..8>
,SERVER-UNIT-NAME = <composed-name 1..64>
,MONJV= *NONE / <filename 1..54 without-gen-vers>
,JV-PASSWORD = *NONE / <c-string 1..4> / <x-string 1..8> / <integer -2147483647..2147483648>

```

VM-IDENTIFICATION =

Identification of the virtual machine.

VM-IDENTIFICATION = <integer 1..99> / <name 1..8>

Identifies the virtual machine by means of a VM index or VM name.

SERVER-UNIT-NAME = <composed-name 1..64>

Name of the target SU.



In case of a target SU /390, this is the BS2000 host name of the monitor system.

MONJV =

Defines a MONJV for monitoring the VM Migration (see [page 185](#)).

MONJV = *NONE

No MONJV is defined.

MONJV = <filename 1..54 without-gen-vers>

The specified MONJV is supplied with data by VM2000; the sender of the command must therefore have write permission for the specified MONJV. If no catalog ID or user ID is specified in the file name, VM2000 completes the file name, in accordance with the runtime environment of the sender of the command.

If a file name which does not yet have a job variable is specified, VM2000 creates the MONJV as shareable and without a password.

JV-PASSWORD = *NONE / <c-string 1..4> / <x-string 1..8> / <integer ...>

Password of the MONJV for checking access authorization. The input field is automatically blanked in the guided dialog. The value input is not logged.



This operand is only evaluated if a previously created job variable was specified with MONJV.

Command return code, see also [page 431](#)

(SC2)	SC1	Maincode	Bedeutung
	0	CMD0001	Command successfully executed
1	0	CMD0001	No action required (source SU = target SU)
2	0	VMS2480	VM Migration initiated with warnings
	64	VMS2101	VM2000 shutdown in progress
	64	VMS2332	Storage for VM definitions cannot be reached (SU /390)
	64	VMS2400	Target SU not detected
	64	VMS2407	VM Migration rejected by guest system
	64	VMS2408	VM Migration not confirmed in time by the guest system
	64	VMS2462	Prerequisites for the VM Migration not met
	64	VMS4000	VM not yet created
	64	VMS4084	I/O configuration modification active
	64	VMS4340	MONJV could not be accessed

Guaranteed messages (on the source SU)

VMS2401 through VMS2407, VMS2409 through VMS2426, VMS2440 through VMS2444, VMS2450 through VMS2452, VMS2470 through VMS2472, VMS4024, VMS6021



In case of the messages VMS2404 and VMS2421 (migration rejected/aborted by the target SU), the cause is stated as a message insert in the form of the corresponding VM2000 message code.

Guaranteed messages (on the target SU)

VMS2050, VMS2430 through VMS2434, VMS3050, VMS6020

Example

See the example in the [section "Example for a VM Migration \(SU /390\)" on page 188](#).

MIGRATE-VM-DEFINITION

Migrate VM definition

`/MIGRATE-VM-DEFINITION` migrates the specified VM definition from the local Server Unit (source SU) to the required Server Unit (target SU).

The VM definition may not belong to a VM which has already been initialized.

This command is reserved for the VM2000 administrator.

MIGRATE-VM-DEFINITION

VM-NAME = <name 1..8>

,SERVER-UNIT-NAME = <composed-name 1..64>

VM-NAME = <name 1..8>

Identification of the VM definition by the VM name.

SERVER-UNIT-NAME = <composed-name 1..64>

Name of the target SU.



In case of a target SU /390, this is the BS2000 host name of the monitor system.

Command return code, see also [page 431](#)

(SC2)	SC1	Maincode	Bedeutung
	0	CMD0001	Command successfully executed
2	0	VMS2321	Migration successful. However, the VM definition could not be deleted on the source SU.
	64	VMS2300	VM definition does not exist
	64	VMS2323	VM definition could not be migrated
	64	VMS2324	Migration of the VM definition rejected by the target SU
	64	VMS2325	Migration of the VM definition not confirmed in time by the target SU
	64	VMS2332	Storage for VM definitions cannot be reached (SU /390)
	64	VMS2400	Target SU not detected
	64	VMS2402	Target SU not available
	64	VMS2403	Connection to target SU aborted
	64	VMS2410	Target SU is not in the active SU cluster with the source SU
	64	VMS4015	VM already initialized

Guaranteed messages

VMS2320

Example

```
/migrate-vm-definition vm-name=g4ivn,server-unit-name=d020ze01  
% VMS2320 DEFINITION OF VM 'G4IVN' MIGRATED TO TARGET SU 'D020ZE01'
```

MODIFY-VM-ATTRIBUTES Modify attributes of a VM

`/MODIFY-VM-ATTRIBUTES` is used to modify the attributes of an initialized VM.

The modified attributes and specifications are noted in the VM definition.

The following attributes can be modified:

- The CPU quota
- Maximum CPU utilization of the VM
- Maximum I/O utilization of the VM (SU /390)
- Password for administration
- Command range for VM2000 administrator and VM administrator
- The privileges for the VM
- Settings for controlling the real CPU (SU /390)
- The scope of the trace entries for VM2000 to be logged
- The PERSISTENT attribute
- The information for automatically starting the guest system on a persistent VM when next activating its VM definition

The attributes of a VM cannot be changed while it is being migrated (VM Migration).



You can modify the attributes and resources entered in the VM definition of a VM which has not yet been initialized using `/MODIFY-VM-DEFINITION`.

This command is reserved for the VM2000 administrator and VM administrators with `ADMIN-PRIVILEGES=*MAXIMUM`.

MODIFY-VM-ATTRIBUTES

```

VM-IDENTIFICATION = <integer 1..99> / <name 1..8>
,CPU-QUOTA = *UNCHANGED / <fixed 0.01..99.99> / *BY-VM-GROUP(...)
    *BY-VM-GROUP(...)
        | MEMBER-CPU-QUOTA = *UNCHANGED / <fixed 0.01..99.99>
,MAX-CPU-UTILIZATION = *UNCHANGED / <fixed 0.01..100.00>
,MAX-IO-UTILIZATION = *UNCHANGED / <integer 1..100>
,PASSWORD = *UNCHANGED / *NONE / <c-string 1..8> / <x-string 1..16>
,ADMIN-PRIVILEGES = *UNCHANGED / *STD / *MINIMUM / *MAXIMUM
,PRIVILEGES = *PARAMETERS(...)
    *PARAMETERS(...)
        | IO-RESET = *UNCHANGED / *NO / *YES
        | ,IO-PRIORITY = *UNCHANGED / *NO / *YES
        | ,AUTO-SNAP-ASSIGNMENT = *UNCHANGED / *NO / *YES
        | ,ASSIGN-BY-GUEST = *UNCHANGED / *NO / *YES(...)
            *YES(...)
                | SET-NAME = *STDSET / *ALL / *EXCEPT(...) / *ADD(...) / *REMOVE(...) /
                    list-poss(8): <name 1..8> / *STDSET
                | *EXCEPT(...)
                    | SET-NAME = list-poss(8): <name 1..8> / *STDSET
                | *ADD(...)
                    | SET-NAME = list-poss(8): <name 1..8> / *STDSET
                | *REMOVE(...)
                    | SET-NAME = list-poss(8): <name 1..8> / *STDSET
,VM-ACTIVE-IDLE = *UNCHANGED / *NO / *AT-DEDICATED-CPUS
,TRACE-LEVEL = *UNCHANGED / *OFF / *STD / *MAXIMUM
,VM-NAME = *UNCHANGED / <name 1..8>
,PERSISTENT = *UNCHANGED / *NO / *YES(...)
    *YES(...)
        | ,AUTO-IPL = *NO / *YES(...)
            *YES(...)
                | IPL-UNIT = *UNCHANGED-OR-NONE / <alphanum-name 2..2> / <x-text 4..4>
                | ,IPL-CONSOLE = *UNCHANGED-OR-NONE / <alphanum-name 2..2>
                | ,MODE = *UNCHANGED-OR-AUTOMATIC / *AUTOMATIC / *FAST
                | ,SYSTEM-NAME = *UNCHANGED-OR-NONE / *NONE / <name 1..8>

```

If no more detailed explanation is specified, the operand value *UNCHANGED means that the existing setting for the operand value is retained.

VM-IDENTIFICATION = <integer 1..99> / <name 1..8>

Identifies the virtual machine by means of a VM index or VM name.

CPU-QUOTA =

This determines whether the CPU quota is to be changed or retained.

CPU-QUOTA = <fixed 0.01..99.99>

New CPU quota for a VM which does not belong to a VM group, see [page 283](#).

CPU-QUOTA = *BY-VM-GROUP(...)

New member CPU quota for a VM which belongs to a VM group (SU /390), see [page 217](#).

MEMBER-CPU-QUOTA =

Defines whether the member CPU quota is to be modified or retained.

MEMBER-CPU-QUOTA = *UNCHANGED

The previous member CPU quota is retained.

MEMBER-CPU-QUOTA = <fixed 0.01..99.99>

New member CPU quota.

MAX-CPU-UTILIZATION =

Determines whether the maximum CPU utilization of the VM is to be changed or retained.

MAX-CPU-UTILIZATION = <fixed 0.01..100.00>

New maximum CPU utilization of the VM, see [page 283](#).

If the VM belongs to a VM group (SU /390), its maximum CPU utilization is also restricted by the “maximum CPU utilization of the VM group” (see [page 217](#)).

MAX-IO-UTILIZATION =

On SU /390, determines whether the maximum CPU utilization of the VM is to be changed or retained.

MAX-IO-UTILIZATION = <integer 1..100>

New maximum IO utilization of the VM, see [page 393](#).

PASSWORD =

This determines whether the password which determines the right of access in /BEGIN-VM-DIALOG is to be changed or retained. The password can be up to 8 bytes long.

PASSWORD = *NONE

No password is to be defined.

PASSWORD = <c-string 1..8>

New password in character form.

PASSWORD = <x-string 1..16>

New password in hexadecimal form.

ADMIN-PRIVILEGES =

Determines whether the command/function range for VM2000 and VM administrators is to be changed or retained (see [page 234](#)).

ADMIN-PRIVILEGES = *STD

Standard command/function range for the VM administrator.

ADMIN-PRIVILEGES = *MINIMUM

Restricted command/function range for the VM2000 administrator.



For security reasons, a command/function range restricted by means of *MINIMUM **cannot** be revoked during the session.

ADMIN-PRIVILEGES = *MAXIMUM

Extended command/function range for the VM administrator. This operand value may be specified for the monitor VM.

PRIVILEGES = *PARAMETERS(...)

Describes privileges of the VM. If *UNCHANGED is specified, the privileges of the VM remain unchanged.

IO-RESET = *NO / *YES

Specifies on SU /390 whether the channels are reset **in the hardware** for this VM at /START-VM or when the guest system is restarted or the channels reconfigured (see [page 142](#)).

IO-PRIORITY = *NO / *YES

Specifies on SU /390 whether a waiting virtual CPU of the VM is executed again on a real CPU by the VM2000 hypervisor immediately after the end of pending input/output for this VM (see [page 143](#)).



The total number of virtual CPUs of all the VMs with this privilege may not be greater than that of the real normal CPUs of the Server Unit.

AUTO-SNAP-ASSIGNMENT = *YES / *NO

Determines whether the guest system of the VM may implicitly assign snap units for Snapsets without the VM and device being assigned the `ASSIGN-BY-GUEST` privilege or attribute.

ASSIGN-BY-GUEST = *NO / *YES(...)

Specifies whether devices can also be implicitly assigned to this VM by the guest system (*YES). Alternatively (*NO), the devices must be assigned explicitly to the VM by the VM or VM2000 administrator. See [page 143](#).

SET-NAME =

Determines the assignment sets from which the guest system may implicitly assign devices to the VM. A VM can be explicitly assigned up to 28 assignment sets by means of explicit list specification.

SET-NAME = *STDSET / list-poss (8): <name 1..8> / *STDSET

Explicit specification of the assignment sets.

SET-NAME = *ALL

All existing and future assignment sets.

SET-NAME = *EXCEPT(SET-NAME = list-poss (8): <name 1..8> / *STDSET)

All existing and future assignment sets with the exception of those which are specified with `SET-NAME`.

SET-NAME = *ADD(SET-NAME = list-poss (8): <name 1..8> / *STDSET)

Extends the existing set of assignment sets for the VM.

SET-NAME = *REMOVE(SET-NAME = list-poss (8): <name 1..8> / *STDSET)

Reduces the existing set of assignment sets for the VM.

VM-ACTIVE-IDLE =

Determines on SU /390 whether, in the event of fixed CPU assignment (dedicated CPUs), a VM still retains control over the real CPU if the VM's virtual CPU which runs on this is inactive (interruptible wait state, "Idle"), see [page 144](#).

VM-ACTIVE-IDLE = *NO

The VM2000 hypervisor deletes the real CPU if the VM's virtual CPU which runs on this is inactive (interruptible wait state).

VM-ACTIVE-IDLE = *AT-DEDICATED-CPUS

The VM retains control over the real CPU even if the VM's virtual CPU which runs on this is inactive (interruptible wait state, "Idle").

This idle time is then indicated in the VM2000 accounting records, with `/SHOW-VM-STATUS` (`VM-ACTIVE` output column) and in the VM2000 report of openSM2 as a time in which the VM actively uses the real CPU.



With fixed CPU assignment, `VM-ACTIVE-IDLE=*AT-DEDICATED-CPUS` is only effective if the VM's maximum CPU utilization (see [page 139](#)) is not restricted.

TRACE-LEVEL =

Specifies the scope of the trace entries for VM2000 to be logged (see [page 711](#)). This operand can only be specified for the monitor VM.

The default value after starting the monitor system is *OFF.

TRACE-LEVEL = *OFF

Only entries in the error trace are logged (system errors).

TRACE-LEVEL = *STD

Entries in the error trace and the important points of the runtime trace and the \$VMCONS trace are logged.

TRACE-LEVEL = *MAXIMUM

All trace entries are logged.

VM-NAME =

Determines whether accounting records are to be written.

VM-NAME = <name 1..8>

The name of a VM can no longer be changed. The old name must be specified. The entry VM-NAME=<old name> causes the accounting records to be written (see [page 411](#)).

PERSISTENT =

Determines whether the PERSISTENT attribute is assigned to or removed from the VM which has already been initialized.

The setting regarding whether the guest system on the VM is to be started automatically the next time the VM definition is activated (AUTO-IPL operand) can be modified for a VM which is already persistent. When a VM which is already persistent is to be started automatically the next time the VM definition is activated, the specifications for the automatic startup of the guest system on the VM can be modified.

This operand cannot be specified for the monitor VM.

PERSISTENT = *NO

The PERSISTENT attribute is removed from a persistent VM. This is also entered in the VM definition. Specifications entered earlier for the IPL-UNIT, IPL-CONSOLE, MODE and SYSTEM-NAME parameters are deleted in the VM definition. The VM definition is no longer persistent.

PERSISTENT = *YES(...)

The VM is assigned or retains the PERSISTENT attribute. This is also entered in the VM definition. The VM definition becomes or remains persistent.

AUTO-IPL =

Determines whether the guest system on the VM is to be started automatically when the VM definition is activated.

AUTO-IPL = *NO

The guest system on the VM is not started automatically.



The IPL-UNIT, IPL-CONSOLE, MODE and SYSTEM-NAME parameters set for a persistent VM are retained in the VM definition and can be reactivated using this command and the specification AUTO-IPL=*YES.

AUTO-IPL = *YES(...)

The guest system on the VM is started automatically.

The parameters for the automatic startup must be appropriately supplied with values.

IPL-UNIT = *UNCHANGED-OR-NONE

When a non-persistent VM is assigned the VM attribute PERSISTENT, IPL-UNIT=*NONE is entered in the VM definition. In the case of a VM which is already persistent (e.g. when switching from AUTO-IPL=*NO to AUTO-IPL=*YES), the existing entry for IPL-UNIT in the VM definition is retained.

IPL-UNIT = <alphanum-name 2..2> / <x-text 4..4>

Mnemonic device name of the disk device used for the initial program loading (IPL) of the guest system. The device must be assigned to the VM explicitly and exclusively.

IPL-CONSOLE = *UNCHANGED-OR-NONE

When a non-persistent VM is assigned the VM attribute PERSISTENT, IPL-CONSOLE=*NONE is entered in the VM definition. In the case of a VM which is already persistent (e.g. when switching from AUTO-IPL=*NO to AUTO-IPL=*YES), the existing entry for IPL-CONSOLE in the VM definition is retained.

IPL-CONSOLE = <alphanum-name 2..2>

Mnemonic device name of the KVP output device.

MODE = *UNCHANGED-OR-AUTOMATIC

When a non-persistent VM is assigned the VM attribute PERSISTENT, MODE=*AUTOMATIC is entered in the VM definition. In the case of a VM which is already persistent (e.g. when switching from AUTO-IPL=*NO to AUTO-IPL=*YES), the existing entry for MODE in the VM definition is retained.

MODE = *AUTOMATIC / *FAST

Defines the type of system initialization (AUTOMATIC or FAST startup).

SYSTEM-NAME = *UNCHANGED-OR-NONE

When a non-persistent VM is assigned the VM attribute PERSISTENT, SYSTEM-NAME=*NONE is entered in the VM definition. In the case of a VM which is already persistent (e.g. when switching from AUTO-IPL=*NO to AUTO-IPL=*YES), the existing entry for SYSTEM-NAME in the VM definition is retained.

[390] The specification is ignored on SU /390.

SYSTEM-NAME = *NONE / <name 1..8>

Specifies the system name.

[390] The specification is ignored on SU /390.

Command return code, see also [page 431](#)

(SC2)	SC1	Maincode	Bedeutung
	0	CMD0001	Command successfully executed
2	0	CMD0001	Decimal specifications rounded to 2 decimal places
2	0	VMS2306	VM definition could not be updated (SU /390)
	64	VMS2332	Storage for VM definitions cannot be reached (SU /390)
	64	VMS3002	Invalid operand value
	64	VMS3033	ADMIN-PRIVILEGES=*MAX not permissible for monitor VM
	64	VMS3034	ADMIN-PRIVILEGES=*MIN only permissible for monitor VM
	64	VMS3035	IO-PRIORITY cannot be set (total of virtual CPUs with privilege too high)
	64	VMS3038	PERSISTENT=*YES not permitted for the monitor VM
	64	VMS4000	VM not yet created
	64	VMS4200	Assignment set not yet created
	64	VMS4211	Maximum number of assignment sets already assigned to the VM
	64	VMS4428	VM does not belong to a VM group
	64	VMS4450	CPU quota must be specified via MEMBER-CPU-QUOTA
	128	VMS3042	VM being migrated

Example

```
/modify-vm-attributes vm-id=system2,cpu-quota=20,max-cpu-utilization=25,
  privileges=*parameters(assign-by-guest=*yes(set-name=*stdset)) ----- (1)
```

```
/show-vm-attributes vm-id=system2,information=*std ----- (2)
```

```
      CPU-POOL(P)
VM-ID      VM-GROUP(G) CPU-Q    MAX-U  PROC    MEM-SIZE  MAX-IO
  2 SYSTEM2 *STDPOOL(P) 20.00  25.00  1(+1)      128  (100)
```

```
VM-ID      STATE          VERSION PER ADMIN PRIV
  2 SYSTEM2  RUNNING          V10.0A NO  NO  AG,AS
```

```
/show-vm-attributes vm-id=system2,information=*privileges
```

```
VM-ID      PRIV    DETAILS
  2 SYSTEM2  AG      *STDSET
          AS
```

- (1) The VM2000 administrator changes the attributes of VM2.
The new CPU quota is 20. The maximum CPU utilization is 25. The ASSIGN-BY-GUEST for the assignment set *STDSET privilege is assigned to VM2.
- (2) The VM administrator queries the attributes and the details of the privileges for VM2.

MODIFY-VM-DEFINITION

Modify VM definition

`/MODIFY-VM-DEFINITION` is used to modify a VM definition. The VM definition may not belong to a VM which has already been initialized.

The following attributes and resources can be modified in the VM definition:

- VM index
- Main memory size of the VM
- Minimum and maximum main memory size of the VM for main memory reconfiguration
- Multiprocessor level of the VM
- (Member) CPU quota and maximum CPU utilization of the VM
- Adding of the VM to a VM group (SU /390)
- Assignment of the VM to a CPU pool
- Settings for controlling the real CPU (SU /390)
- Maximum I/O utilization of the VM (SU /390)
- Devices of the VM
- The password for administration
- Range of commands for the VM administrator
- Privileges of the VM
 - 390 As it is recommended that a VM be created without the privileges `IO-PRIORITY` and `IO-RESET` (see [page 465](#)), `IO-PRIORITY=*NO` and `IO-RESET=*NO` should also be entered for the VM in the VM definition.
- PERSISTENT attribute
- Specifications for automatic startup of the guest system on the VM when activating the VM definition

The VM name cannot be modified.



You can modify the attributes of a VM which has already been initialized using `/MODIFY-VM-ATTRIBUTES`.

This command is reserved for the VM2000 administrator.

MODIFY-VM-DEFINITION

```

VM-NAME = <name 1..8>
, VM-INDEX = *UNCHANGED / *ANY / <integer 2..99>
, MEMORY-SIZE = *UNCHANGED / <integer 1..1048576>( DIMENSION = *MEGABYTE / *GIGABYTE)
, MIN-MEMORY-SIZE = *UNCHANGED / *STD /
    <integer 1..1048576>( DIMENSION = *MEGABYTE / *GIGABYTE)
, MAX-MEMORY-SIZE = *UNCHANGED / *STD /
    <integer 1..1048576>( DIMENSION = *MEGABYTE / *GIGABYTE)
, PROCESSOR = *UNCHANGED / *MONO / *BI / *TRIPLE / *QUADRO / *OCTO / *MAXIMUM /
    *EXTRA-AND-NORMAL / <integer 1..32>
, CPU-QUOTA = *UNCHANGED / <fixed 0.01..99.99>( ... ) / *BY-VM-GROUP( ... )
    <fixed 0.01..99.99>( ... )
    | CPU-POOL-NAME = *UNCHANGED-OR-STDPOOL / *STDPOOL / <name 1..8>
    *BY-VM-GROUP( ... )
    | VM-GROUP-NAME = <name 1..8>
    | , MEMBER-CPU-QUOTA = <fixed 0.01..99.99>
, MAX-CPU-UTILIZATION = *UNCHANGED / <fixed 0.01..100.00>
, VM-ACTIVE-IDLE = *UNCHANGED / *NO / *AT-DEDICATED-CPUS
, MAX-IO-UTILIZATION = *UNCHANGED / <integer 1..100>
, DEVICES = *UNCHANGED / *ADD( ... ) / *REMOVE( ... ) / *MODIFY( ... )
    *ADD( ... )
    | UNITS = list-poss(28): *PUBSET-DEVICES( ... ) / *DEVICE-RANGE( ... ) /
        <alphanum-name 1..4 with-wild(20)( ... )>
    | *PUBSET-DEVICES( ... )
    | | PUBSET = *BY-PUBRES-DEVICE( ... ) / <cat-id 1..4>
    | | | *BY-PUBRES-DEVICE( ... )
    | | | | UNIT = <alphanum-name 2..2> / <x-text 4..4>
    | | , USAGE = *EXCLUSIVE / *SHARED
    | *DEVICE-RANGE( ... )
    | | FROM = <alphanum-name 2..2> / <x-text 4..4>
    | | , TO = <alphanum-name 2..2> / <x-text 4..4>
    | | , USAGE = *EXCLUSIVE / *SHARED
    | <alphanum-name 1..4 with-wild(20)( ... )>
    | | USAGE = *EXCLUSIVE / *SHARED / *VC

```

(part 1 of 3)

```

*REMOVE(...)
  UNITS = *ALL / list-poss(28): *PUBSET-DEVICES(...) / *DEVICE-RANGE(...) /
          <alphanum-name 1..4 with-wild(20)>

    *PUBSET-DEVICES(...)
      PUBSET = *BY-PUBRES-DEVICE(...) / <cat-id 1..4>
        *BY-PUBRES-DEVICE(...)
          UNIT = <alphanum-name 2..2> / <x-text 4..4>

    *DEVICE-RANGE(...)
      FROM = <alphanum-name 2..2> / <x-text 4..4>
      ,TO = <alphanum-name 2..2> / <x-text 4..4>

*MODIFY(...)
  UNITS = list-poss(28): *PUBSET-DEVICES(...) / *DEVICE-RANGE(...) /
          <alphanum-name 1..4 with-wild(20)(...)>

    *PUBSET-DEVICES(...)
      PUBSET = *BY-PUBRES-DEVICE(...) / <cat-id 1..4>
        *BY-PUBRES-DEVICE(...)
          UNIT = <alphanum-name 2..2> / <x-text 4..4>
      ,USAGE = *EXCLUSIVE / *SHARED

    *DEVICE-RANGE(...)
      FROM = <alphanum-name 2..2> / <x-text 4..4>
      ,TO = <alphanum-name 2..2> / <x-text 4..4>
      ,USAGE = *EXCLUSIVE / *SHARED
    <alphanum-name 1..4 with-wild(20)(...)>
      USAGE = *EXCLUSIVE / *SHARED

,PASSWORD = *UNCHANGED / *NONE / <c-string 1..8> / <x-string 1..16>
,ADMIN-PRIVILEGES = *UNCHANGED / *STD / *MAXIMUM

```

(part 2 of 3)

```

,PRIVILEGES = PARAMETERS(...)
  PARAMETERS(...)
    IO-RESET = UNCHANGED / *NO / *YES
    ,IO-PRIORITY = UNCHANGED / *NO / *YES
    ,AUTO-SNAP-ASSIGNMENT = UNCHANGED / *YES / *NO
    ,ASSIGN-BY-GUEST = UNCHANGED / *NO / *YES(...)
      *YES(...)
        SET-NAME = STDSET / *ALL / *EXCEPT(...) / *ADD(...) / *REMOVE(...) /
          list-poss(8): <name 1..8> / *STDSET
          *EXCEPT(...)
            SET-NAME = list-poss(8): <name 1..8> / *STDSET
          *ADD(...)
            SET-NAME = list-poss(8): <name 1..8> / *STDSET
          *REMOVE(...)
            SET-NAME = list-poss(8): <name 1..8> / *STDSET
    ,PERSISTENT = UNCHANGED / *YES(...)
      *YES(...)
        ,AUTO-IPL = NO / *YES(...)
          *YES(...)
            IPL-UNIT = UNCHANGED-OR-NONE / <alphanum-name 2..2> / <x-text 4..4>
            ,IPL-CONSOLE = UNCHANGED-OR-NONE / <alphanum-name 2..2>
            ,MODE = UNCHANGED-OR-AUTOMATIC / *AUTOMATIC / *FAST
            ,SYSTEM-NAME = UNCHANGED-OR-NONE / *NONE / <name 1..8>

```

(part 3 of 3)

If no more detailed explanation is specified, the operand value UNCHANGED means that the existing setting for the operand value is retained.

VM-NAME = <name 1..8>

Name of the VM definition which is to be modified.

VM-INDEX =

The VM index.

VM-INDEX = *ANY

The VM index is assigned by VM2000 when the VM definition is activated.

VM-INDEX = <integer 2..99>

Specifies the VM index.



In the case of a standard name (e.g. VM0002), only the appropriate VM index (in this case 2) may be specified.



If VM-INDEX=*ANY is specified and the VM migrated at a later point (VM Migration), the VM will receive any free VM index on the target SU. Otherwise, the specified (fixed) VM index must be available on the target SU as well.

MEMORY-SIZE = <integer 1..1048576>(DIMENSION = *MEGABYTE / *GIGABYTE)

Predefined size of main memory for the appropriate VM up to a size of 1 Tbyte (terabyte; 1 Tbyte = 1024 Gbytes = 1 048 576 Mbytes).



On SU x86 a small amount of a VM's main memory is required for the firmware component. The main memory of a VM should be at least 1024 Mbytes large, see [page 137](#). The value must be a multiple of 2 Mbytes.

MIN-MEMORY-SIZE = *STD / <integer 1..1048576>(DIMENSION = *MEGABYTE / *GIGABYTE)

Predefined minimum size of the main memory for the relevant VM when main memory is reconfigured. The default is the size of the main memory for the VM as defined by MEMORY-SIZE.



On SU x86 the main memory of a VM should be at least 1024 Mbytes in size, see [page 137](#). The value must be a multiple of 2 Mbytes.

MAX-MEMORY-SIZE = *STD / <integer 1..1048576>(DIMENSION = *MEGABYTE / *GIGABYTE)

Predefined maximum size of the main memory for the VM when main memory is reconfigured. The default value is twice the size of the VM's main memory which is predefined by MEMORY-SIZE. Take note of the information on [page 138](#).



This operand has no effect for SU /390.



The value must be a multiple of 2 Mbytes for SU x86.

PROCESSOR =

Envisaged multiprocessor level of the VM (see [page 259](#)).

PROCESSOR = *MONO

The VM is to be created with one virtual CPU.

PROCESSOR = *BI

The VM is to be created with two virtual CPUs.

PROCESSOR = *TRIPLE

The VM is to be created with three virtual CPUs.

PROCESSOR = *QUADRO

The VM is to be created with four virtual CPUs.

PROCESSOR = *OCTO

The VM is to be created with eight virtual CPUs.

PROCESSOR = *MAXIMUM

A VM with the maximum possible number of virtual CPUs is to be created. The maximum possible number of virtual CPUs matches the number of real normal CPUs which are available for VM2000 operation, see [page 257](#).

[390] On SU /390 the maximum number of virtual CPUs is 16.

PROCESSOR = *EXTRA-AND-NORMAL

A VM is to be configured with as many virtual CPUs as normal CPUs and extra CPUs are available for VM2000 operation.

[390] On SU /390 up to 16 virtual CPUs are possible.

A VM with this number of CPUs can utilize the maximum CPU capacity, including the CPU capacity of the attached extra CPUs. For a Server Unit without extra CPUs this value is the same as the value of `PROCESSOR=*MAXIMUM`.

PROCESSOR = <integer 1..32>

A VM is set up with the number of virtual CPUs specified here. A value less than or equal to the value of `PROCESSOR=*MAXIMUM` is permissible.

CPU-QUOTA =

Envisaged CPU quota of the VM.

CPU-QUOTA = <fixed 0.01..99.99>(…)

CPU quota of a VM which is not (yet) to be assigned to a VM group when the VM definition is activated. Determines the VM's share of the CPU capacity of the CPU pool in comparison to the VM groups and the other VMs which have not been added to a VM group (see [page 283](#)).

CPU-POOL-NAME =

Defines the CPU pool to which the VM is to be assigned when the VM definition is activated.

Every VM is always assigned to precisely one CPU pool.

When the VM definition is activated, the CPU pool must possess at least one attached real CPU.

CPU-POOL-NAME = *UNCHANGED-OR-STDPOOL

If the VM was (previously) not to be assigned to a VM group, the existing assignment to a CPU pool is retained. If the VM was previously to be assigned to a VM group, it is no longer assigned to a VM group. It is assigned to the standard CPU pool.

CPU-POOL-NAME = *STDPOOL

The VM is assigned to the standard CPU pool.

CPU-POOL-NAME = <name 1..8>

Name of the CPU pool to which the VM is assigned.

CPU-QUOTA = *BY-VM-GROUP(…)

CPU quota of a VM which is to be assigned to the specified VM group when the VM definition is activated (SU /390). This determines the VM's CPU share in comparison to the other VMs in the VM group (see [page 217](#)). The VM is implicitly assigned to the CPU pool of the VM group.

VM-GROUP-NAME = <name 1..8>

Name of the VM group to which the VM is added.

MEMBER-CPU-QUOTA = <fixed 0.01..99.99>

Member CPU quota of the VM.

MAX-CPU-UTILIZATION = <fixed 0.01..100.00>

Envisaged maximum CPU utilization of the VM (see [page 283](#)).

390 If the VM belongs to a VM group, its maximum CPU utilization is also restricted by the “maximum CPU utilization of the VM group” (see [page 217](#)).

VM-ACTIVE-IDLE =

Determines on SU /390 whether, in the event of fixed CPU assignment (dedicated CPUs), a VM still retains control over a real CPU if the VM's virtual CPU which runs on this is inactive (interruptible wait state, "Idle"), see [page 144](#).

VM-ACTIVE-IDLE = *NO

The VM2000 hypervisor deletes the real CPU assigned if the VM's virtual CPU which runs on this is inactive (interruptible wait state, "Idle").

VM-ACTIVE-IDLE = *AT-DEDICATED-CPU

The VM retains control over the real CPU even if the VM's virtual CPU which runs on this is inactive (interruptible wait state, "Idle"). This idle time is then indicated in the VM2000 accounting records, with /SHOW-VM-STATUS (VM-ACTIVE output column) and in the VM2000 report of openSM2 as a time in which the VM actively uses the real CPU.



With fixed CPU assignment, VM-ACTIVE-IDLE=*AT-DEDICATED-CPU is only effective if the VM's maximum CPU utilization (see [page 139](#)) is not restricted.

MAX-IO-UTILIZATION = <integer 1..100>

Envisaged maximum I/O utilization of the VM (SU /390, see [page 393](#)).

DEVICES =

Changes the number of devices which is to be assigned to the VM when the VM definition is activated.

DEVICES = *ADD(...)

Further devices are to be assigned to the VM when the VM definition is activated.

UNITS =

Determines the devices which are to be assigned to the VM when the VM definition is activated.

UNITS = *PUBSET-DEVICES(...)

The devices of a pubset are to be assigned to the VM when the VM definition is activated.



See also [“Notes on pubset specification in the VM2000 commands” on page 351](#) and [“Pubset reconfiguration” on page 353](#).

PUBSET =

Determines the pubset. Only the pubset is noted in the VM definition. The devices of the pubset are determined only when the VM definition is activated.

PUBSET = *BY-PUBRES-DEVICE(...)

Determines the devices of the pubset by means of the pubres device.

UNIT = <alphanum-name 2..2> / <x-text 4..4>

Mnemonic device name of the pubres device.

PUBSET = <cat-id 1..4>

Catalog ID of the pubset. The pubset must be entered together with its pubres device in the monitor system's MRS catalog.

USAGE =

Specifies the usage mode which the devices of the VM's pubset are to be assigned when the VM definition is activated.

USAGE = *EXCLUSIVE

The devices are to be assigned exclusively to the VM.

USAGE = *SHARED

The devices are to be assigned to the VM as shareable (usage mode SHARED), see [page 330](#).

UNITS = *DEVICE-RANGE(...)

The VM is to be assigned all devices contained in this name range when the VM definition is activated. All devices currently contained in the name range are entered in the VM definition.



Device names `<x-text 4..4>` (in `*DEVICE-RANGE`) are selected from `FROM` to `TO` in hexadecimal order. Otherwise, device names `<alphanum-name 2..2>` are selected in alphabetical order.

390 If `UNITS` is specified with `*DEVICE-RANGE` or with wildcards, alias devices (PAV) and CRD devices are ignored.

FROM = <alphanum-name 2..2> / <x-text 4..4>

Defines the start of the name range.

TO = <alphanum-name 2..2> / <x-text 4..4>

Defines the end of the name range. The mnemonic device name must be in the same value range (2- or 4-digit mn) as the `FROM` device name and must be greater than or equal to the `FROM` device name in ascending order in the value range.

USAGE = *EXCLUSIVE / *SHARED

Specifies the usage mode which the devices in the name range of the VM are to be assigned when the VM definition is activated. See [page 529](#).

UNITS = <alphanum-name 1..4 with-wild(20)>(…)

The VM is to be assigned the specified devices when the VM definition is activated. The devices are entered in the VM definition.

USAGE = *EXCLUSIVE / *SHARED

Specifies the usage mode which the devices of the VM are to be assigned when the VM definition is activated. See [page 529](#).

USAGE = *VC

The device is to be assigned exclusively to the VM as a virtual console when the VM definition is activated (SU /390). It must be appropriately generated. Only one device for each VM can be operated as a virtual console.

DEVICES = *REMOVE(...)

Fewer devices are to be assigned to the VM when the VM definition is activated. The devices are removed from the VM definition.



Devices which are not contained in the VM definition are ignored.

UNITS =

Determines the devices which are no longer to be assigned to the VM when the VM definition is activated.

UNITS = *ALL

No device is to be assigned to the VM any more when the VM definition is activated.

UNITS = *PUBSET-DEVICES(...)

The devices of a pubset are no longer to be assigned to the VM when the VM definition is activated.



See also [“Notes on pubset specification in the VM2000 commands” on page 351](#) and [“Pubset reconfiguration” on page 353](#).

PUBSET =

Determines the pubset which is to be removed from the VM definition.

PUBSET = *BY-PUBRES-DEVICE(...)

Determines the pubset via the pubres device.

UNIT = <alphanum-name 2..2> / <x-text 4..4>

Mnemonic device name of the pubres device.

PUBSET = <cat-id 1..4>

Catalog ID of the pubset. The pubset must be entered together with its pubres device in the monitor system's MRS catalog.

UNITS = *DEVICE-RANGE(...)

The VM is no longer to be assigned the devices contained in this name range when the VM definition is activated. All devices currently contained in the name range are removed from the VM definition.



Device names `<x-text 4..4>` (in `*DEVICE-RANGE`) are selected from `FROM` to `TO` in hexadecimal order. Otherwise, device names `<alphanum-name 2..2>` are selected in alphabetical order.

FROM = <alphanum-name 2..2> / <x-text 4..4>

Defines the start of the name range.

TO = <alphanum-name 2..2> / <x-text 4..4>

Defines the end of the name range. The mnemonic device name must be in the same value range (2- or 4-digit mn) as the `FROM` device name and must be greater than or equal to the `FROM` device name in ascending order in the value range.

UNITS = <alphanum-name 1..4 with-wild(20)>

The VM is no longer to be assigned the specified devices when the VM definition is activated. The devices are removed from the VM definition.

DEVICES = *MODIFY(...)

The usage mode of the devices entered in the VM definition is modified.



Devices which are not contained in the VM definition are ignored.

UNITS =

Determines the devices whose usage mode is modified.

UNITS = *PUBSET-DEVICES(...)

The usage mode of the devices of a pubset is modified.



See also [“Notes on pubset specification in the VM2000 commands” on page 351](#) and [“Pubset reconfiguration” on page 353](#).

PUBSET =

Determines the pubset.

PUBSET = *BY-PUBRES-DEVICE(...)

Determines the devices of the pubset by means of the pubres device.

UNIT = <alphanum-name 2..2> / <x-text 4..4>

Mnemonic device name of the pubres device.

PUBSET = <cat-id 1..4>

Catalog ID of the pubset. The pubset must be entered together with its pubres device in the monitor system's MRS catalog.

USAGE =

Specifies the usage mode which the devices of the VM's pubset are to be assigned when the VM definition is activated.

USAGE = *EXCLUSIVE

The devices are to be assigned exclusively to the VM.

USAGE = *SHARED

The devices are to be assigned to the VM as shareable (usage mode SHARED), see [page 330](#).

UNITS = *DEVICE-RANGE(...)

The usage mode of all devices contained in this name range is modified.



Device names `<x-text 4..4>` (in `*DEVICE-RANGE`) are selected from `FROM` to `TO` in hexadecimal order. Otherwise, device names `<alphanum-name 2..2>` are selected in alphabetical order.

FROM = <alphanum-name 2..2> / <x-text 4..4>

Defines the start of the name range.

TO = <alphanum-name 2..2> / <x-text 4..4>

Defines the end of the name range. The mnemonic device name must be in the same value range (2- or 4-digit mn) as the `FROM` device name and must be greater than or equal to the `FROM` device name in ascending order in the value range.

USAGE = *EXCLUSIVE / *SHARED

Specifies the usage mode which the devices in the name range of the VM are to be assigned when the VM definition is activated. See [page 532](#).

UNITS = <alphanum-name 1..4 with-wild(20)>(…)

The usage mode of the specified devices is modified.

USAGE = *EXCLUSIVE / *SHARED

Specifies the usage mode which the devices of the VM are to be assigned when the VM definition is activated. See [page 532](#).

PASSWORD =

Password controlling access authorization in `/BEGIN-VM-DIALOG`. The password can be up to 8 bytes long.

PASSWORD = *NONE

No password is necessary.

PASSWORD = <c-string 1..8>

Password in character form.

PASSWORD = <x-string 1..16>

Password in hexadecimal form. Passwords comprising zeros only (X'00..00') are ignored.

ADMIN-PRIVILEGES =

Defines the envisaged command/function range for the VM administrator (see [page 234](#)).

ADMIN-PRIVILEGES = *STD

Standard command/function range.

ADMIN-PRIVILEGES = *MAXIMUM

Extended command/function range for the VM administrator.

PRIVILEGES = *PARAMETERS(...)

Describes privileges of the VM.

IO-RESET = *NO / *YES

Specifies on SU /390 whether the channels are reset **in the hardware** for this VM at / START-VM or when the guest system is restarted or the channels reconfigured (see [page 142](#)).

IO-PRIORITY = *NO / *YES

Specifies on SU /390 whether a waiting virtual CPU of the VM is executed again on a real CPU by the VM2000 hypervisor immediately after the end of pending input/output for this VM (see [page 143](#)).



The total number of virtual CPUs of all the VMs with this privilege may not be greater than that of the real normal CPUs of the Server Unit.

AUTO-SNAP-ASSIGNMENT = *YES / *NO

Determines whether the guest system on the VM may implicitly assign itself snap units for Snapsets without the VM and device being assigned the ASSIGN-BY-GUEST privilege or attribute.

ASSIGN-BY-GUEST = *NO / *YES(...)

Specifies whether devices can also be implicitly assigned to this VM by the guest system (*YES). Alternatively (*NO), the devices must be assigned explicitly to the VM by the VM or VM2000 administrator. See [page 143](#).

SET-NAME =

Determines the assignment sets from which the guest system may implicitly assign devices to the VM. A VM can be explicitly assigned up to 28 assignment sets by means of explicit list specification.

SET-NAME = *STDSET / list-poss (8): <name 1..8> / *STDSET

Explicit specification of the assignment sets.

SET-NAME = *ALL

All existing and future assignment sets.

SET-NAME = *EXCEPT(SET-NAME = list-poss (8): <name 1..8> / *STDSET)

All existing and future assignment sets with the exception of those which are specified with SET-NAME.

SET-NAME = *ADD(SET-NAME = list-poss (8): <name 1..8> / *STDSET)

Extends the existing set of assignment sets for the VM.

SET-NAME = *REMOVE(SET-NAME = list-poss (8): <name 1..8> / *STDSET)

Reduces the existing set of assignment sets for the VM.

PERSISTENT = *YES(...)

Determines that the PERSISTENT attribute is to be assigned to the VM definition.

The VM definition becomes or remains persistent.

The setting regarding whether the guest system on the VM is to be started automatically the next time the VM definition is activated (AUTO-IPL operand) can be modified for a VM definition which is already persistent. When for a VM definition which is already persistent it has already been defined that the guest system on the VM is to be started automatically the next time the VM definition is activated, the specifications for the automatic startup of the guest system on the VM can be modified.

AUTO-IPL =

Determines whether the guest system on the VM is to be started automatically the next time the persistent VM definition is activated.

AUTO-IPL = *NO

The guest system on the VM is not started automatically.



Specifications for the IPL-UNIT, IPL-CONSOLE, MODE and SYSTEM-NAME parameters made earlier are retained in the VM definition and can be reactivated using this command and the specification AUTO-IPL=*YES.

AUTO-IPL = *YES(...)

The guest system on the VM is started automatically.

The parameters for the automatic startup must be appropriately supplied with values.

IPL-UNIT = *UNCHANGED-OR-NONE

When a non-persistent VM definition is assigned the VM attribute PERSISTENT, IPL-UNIT=*NONE is entered in the VM definition. In the case of a VM definition which is already persistent (e.g. when switching from AUTO-IPL=*NO to AUTO-IPL=*YES), the existing entry for IPL-UNIT in the VM definition is retained.

IPL-UNIT = <alphanum-name 2..2> / <x-text 4..4>

Mnemonic device name of the disk device used for the initial program loading (IPL) of the guest system. The device must be assigned to the VM explicitly and exclusively.

IPL-CONSOLE = *UNCHANGED-OR-NONE

When a non-persistent VM definition is assigned the VM attribute PERSISTENT, IPL-CONSOLE=*NONE is entered in the VM definition. In the case of a VM definition which is already persistent (e.g. when switching from AUTO-IPL=*NO to AUTO-IPL=*YES), the existing entry for IPL-CONSOLE in the VM definition is retained.

IPL-CONSOLE = <alphanum-name 2..2>

Mnemonic device name of the KVP output device.

MODE = *UNCHANGED-OR-AUTOMATIC

When a non-persistent VM definition is assigned the VM attribute PERSISTENT, MODE=*AUTOMATIC is entered in the VM definition. In the case of a VM definition which is already persistent (e.g. when switching from AUTO-IPL=*NO to AUTO-IPL=*YES), the existing entry for MODE in the VM definition is retained.

MODE = *AUTOMATIC / *FAST

Defines the type of system initialization (AUTOMATIC or FAST startup).

SYSTEM-NAME = *UNCHANGED-OR-NONE

When a non-persistent VM definition is assigned the VM attribute PERSISTENT, SYSTEM-NAME=*NONE is entered in the VM definition. In the case of a VM definition which is already persistent (e.g. when switching from AUTO-IPL=*NO to AUTO-IPL=*YES), the existing entry for SYSTEM-NAME in the VM definition is retained.

[390] The specification is ignored on SU /390.

SYSTEM-NAME = *NONE / <name 1..8>

Specifies the system name.

[390] The specification is ignored on SU /390.

Command return code, see also [page 431](#)

(SC2)	SC1	Maincode	Bedeutung
	0	CMD0001	Command successfully executed
1	0	VMS4035	No corresponding device found (possibly only alias or CRD devices were specified)
1	0	VMS4180	Specified set of devices empty
	64	VMS2300	VM definition does not exist
	64	VMS2307	VM definition could not be modified
	64	VMS2310	Generation of the VM definition not confirmed in the expected time
	64	VMS2313	Device specified more than once with different usage modes
	64	VMS2332	Storage for VM definitions cannot be reached (SU /390)
	64	VMS2315	Device already entered in VM definition with different usage mode
	64	VMS2317	Memory specifications do not match the values entered in the VM definition
	64	VMS3002	Invalid value for operand
	64	VMS4006	Device not available
	64	VMS4012	Requested memory size too small
	64	VMS4015	VM already initialized
	64	VMS4060	Only one virtual console possible per VM
	64	VMS4093	Invalid specifications for memory size of a VM
	64	VMS4190	Device is an alias device (PAV)
	64	VMS4195	Device is CRD
	64	VMS4211	Maximum number of assignment sets already assigned to the VM
	64	VMS4253	Pubres device of the pubset which was specified via the CATID cannot be determined

Example

See [section "Examples of working with VM definitions" on page 207](#).

MODIFY-VM-DEVICE-ATTRIBUTES

Modify device attributes

`/MODIFY-VM-DEVICE-ATTRIBUTES` is used to specify whether the specified devices can also be assigned implicitly to a VM by a guest system.

For this purpose devices have the device attribute `ASSIGN-BY-GUEST`. The default setting is `ASSIGN-BY-GUEST=*NO`, i.e. the devices can initially not be assigned implicitly by a VM's guest system.

390 The default setting for this device attribute can be modified for SU /390 in the VM2000 parameter file (see [page 57](#)).

The default setting for this device attribute can be modified for selected devices or for all existing devices using `/MODIFY-VM-DEVICE-ATTRIBUTES UNITS=...` and for all new devices using `/MODIFY-VM-DEVICE-ATTRIBUTES UNITS=*NEW-DEVICES`. New devices (dynamic I/O configuration modification, see [page 394](#)) then assume the new setting as a device attribute.

DUMMY tape devices should not be assigned implicitly, see [page 371](#).



The usage mode of a device does not change with this command (see `/MODIFY-VM-DEVICE-USAGE` on [page 542](#)).

A message is only issued for a device in the event of an error.

390 Virtual consoles cannot be assigned implicitly by a guest system. Alias devices (PAV) and CRD devices may only be assigned implicitly (the attribute is ignored for these devices).

This command is reserved for the VM2000 administrator.

MODIFY-VM-DEVICE-ATTRIBUTES

```

UNITS = *ALL / *NEW-DEVICES / *PUBSET-DEVICES(...) / *BY-ASSIGNMENT-SET(...) /
    list-poss(28): *DEVICE-RANGE(...) / <alphanum-name 1..4 with-wild(20)>

*PUBSET-DEVICES(...)
    |
    |   PUBSET = *BY-PUBRES-DEVICE(...) / <cat-id 1..4>
    |   |
    |   |   *BY-PUBRES-DEVICE(...)
    |   |   |
    |   |   |   UNIT = <alphanum-name 2..2> / <x-text 4..4>
    |
    |
*BY-ASSIGNMENT-SET(...)
    |
    |   SET-NAME = *STDSET / <name 1..8>
    |
*DEVICE-RANGE(...)
    |
    |   FROM = <alphanum-name 2..2> / <x-text 4..4>
    |   ,TO = <alphanum-name 2..2> / <x-text 4..4>
    |
,ASSIGN-BY-GUEST = *NO / *YES(...)
    |
    |   *YES(...)
    |   |
    |   |   SET-NAME = *STDSET / <name 1..8>
    |

```

UNITS =

Specifies the devices to be assigned the attribute.



The setting for new devices can only be modified using `UNITS=*NEW-DEVICES`.

UNITS = *ALL

The attribute is to be assigned to all existing devices.

UNITS = *NEW-DEVICES

The attribute is to be assigned to all new devices (dynamic I/O configuration modification).

UNITS = *PUBSET-DEVICES(...)

The attribute is to be modified for all the devices of a pubset.



See also [“Notes on pubset specification in the VM2000 commands” on page 351](#) and [“Pubset reconfiguration” on page 353](#).

PUBSET = *BY-PUBRES-DEVICE(...)

Determines the devices of the pubset by means of the pubres device.

UNIT = <alphanum-name 2..2> / <x-text 4..4>

Mnemonic device name of the pubres device.

PUBSET = <cat-id 1..4>

Catalog ID of the pubset. The pubset must be entered together with its pubres device in the monitor system’s MRS catalog.

UNITS = *BY-ASSIGNMENT-SET(...)

The attribute is to be modified for all devices of an assignment set.

SET-NAME = *STDSET / <name 1..8>

Determines the devices of the assignment set by means of the set name.

UNITS = *DEVICE-RANGE(...)

All the devices in this name range are to be assigned the attribute.



Device names <x-text 4..4> (in *DEVICE-RANGE) are selected from FROM to TO in hexadecimal order. Otherwise, device names <alphanum-name 2..2> are selected in alphabetical order.

FROM = <alphanum-name 2..2> / <x-text 4..4>

Defines the start of the name range.

TO = <alphanum-name 2..2> / <x-text 4..4>

Defines the end of the name range. The mnemonic device name must be in the same value range (2- or 4-digit mn) as the FROM device name and must be greater than or equal to the FROM device name in ascending order in the value range.

UNITS = <alphanum-name 1..4 with-wild(20)>

Specifies the devices to be assigned the attribute.

ASSIGN-BY-GUEST = *NO / *YES(...)

Specifies whether devices can also be implicitly assigned to this VM by the guest system (*YES). Alternatively (*NO), the devices must be assigned explicitly to the VM by the VM or VM2000 administrator. See [page 143](#).

ASSIGN-BY-GUEST = *NO

Device assignment may not be executed implicitly by the guest system, but only using the VM2000 command /ADD-VM-DEVICES or /SWITCH-VM-DEVICES or (for VM definitions) using /CREATE-/MODIFY-VM-DEFINITION.

Exception: Alias devices (PAV, see [page 382](#)), CRD devices (see [page 371](#)) and snap units for Snapsets (see [page 372](#)).

ASSIGN-BY-GUEST = *YES(...)

Device assignment can also be executed implicitly by the guest system.

SET-NAME = *STDSET / <name 1..8>

The selected devices are assigned to the specified assignment set.

Command return code, see also [page 431](#)

(SC2)	SC1	Maincode	Bedeutung
	0	CMD0001	Command successfully executed
1	0	VMS4180	Specified set of devices empty
2	0	VMS4203	No devices are assigned to the assignment set
2	0	VMS4241	Attribute not changed for all devices of the pubset
2	0	VMS4242	Attribute changed only for the pubres device of the pubset
	64	VMS3002	Invalid operand value (e.g. *DEVICE-RANGE operand)
	64	VMS4006	Device not available
	64	VMS4171	ASSIGN-BY-GUEST is not possible for virtual consoles
	64	VMS4200	Assignment set not yet created
	64	VMS4223	Command not executed (operand *PUBSET-DEVICES)
	64	VMS9005	Command could not be processed or could only be partially processed

Guaranteed messages

VMS4171

Only if *PUBSET-DEVICES is specified: VMS4223, VMS4240, VMS4241, VMS4242

Only if UNITS is specified without *DEVICE-RANGE and without wildcards: VMS4006

Example

```
/modify-vm-device-attributes units=*pubset-devices(pubset=vm04),
                               assign-by-guest=*yes(set-name=sys2impl) - (1)
VMS4240 DEVICE ATTRIBUTES OF PUBSET 'VM04' WITH PUBRES DEVICE 'D4' MODIFIED
```

- (1) The VM2000 administrator specifies the ASSIGN-BY-GUEST attribute for the pubset with the pubres device D4 and assigns the pubset devices to the assignment set SYS2IMPL.

See also the detailed examples for device and pubset management on [page 332](#) and on [page 359](#).

MODIFY-VM-DEVICE-USAGE

Modify usage mode of the devices of a VM

`/MODIFY-VM-DEVICE-USAGE` changes the usage mode of VM devices, see [page 330](#). Individual devices are addressed using their mnemonic device names. The devices of a pubset are determined by means of the catalog ID of the pubset or the mnemonic device name of the pubres device.

The `SHARED` usage mode can be set for exclusively assigned devices if the device permits this (disk devices, for example, with the exception of the IPL device of the VM).

The `EXCLUSIVE` usage mode can be set for shared devices which are assigned to only one VM at the time of command execution (`SHARED` usage mode with direct I/O, `SH(D)`).

The change of usage mode is noted in the VM definition.



This command does not change the attributes of the device (see `/MODIFY-VM-DEVICE-ATTRIBUTES` on [page 538](#)).



Alias devices always have the same usage mode as the associated base device. The usage mode of a base device can be changed using this command (the usage mode of its alias devices thus changes). The command cannot be used explicitly for an alias device.

This command is reserved for the VM2000 administrator and VM administrators with `ADMIN-PRIVILEGES=*MAXIMUM`.

MODIFY-VM-DEVICE-USAGE

```

UNITS = *PUBSET-DEVICES(...) /
    list-poss(28): *DEVICE-RANGE(...) / <alphanum-name 1..4 with-wild(20)>
*PUBSET-DEVICES(...)
    |
    |   PUBSET = *BY-PUBRES-DEVICE(...) / <cat-id 1..4>
    |   |
    |   |   *BY-PUBRES-DEVICE(...)
    |   |   |
    |   |   |   UNIT = <alphanum-name 2..2> / <x-text 4..4>
    |
    |
    |   *DEVICE-RANGE(...)
    |   |
    |   |   FROM = <alphanum-name 2..2> / <x-text 4..4>
    |   |   |
    |   |   |   ,TO = <alphanum-name 2..2> / <x-text 4..4>
    |
    |
    |   ,VM-IDENTIFICATION = <integer 1..99> / <name 1..8>
    |
    |   ,USAGE = *EXCLUSIVE / *SHARED

```

UNITS =

Specifies the VM devices whose usage mode is to be changed.

UNITS = *PUBSET-DEVICES(...)

The usage mode is to be modified for all devices of a pubset.



See also [“Notes on pubset specification in the VM2000 commands” on page 351.](#)

PUBSET = *BY-PUBRES-DEVICE(...)

Determines the devices of the pubset by means of the pubres device.

UNIT = <alphanum-name 2..2> / <x-text 4..4>

Mnemonic device name of the pubres device.

PUBSET = <cat-id 1..4>

Catalog ID of the pubset. The pubset must be entered together with its pubres device in the monitor system's MRS catalog.

UNITS = *DEVICE-RANGE(...)

Defines the start of the name range.



Device names <x-text 4..4> (in *DEVICE-RANGE) are selected from FROM to TO in hexadecimal order. Otherwise, device names <alphanum-name 2..2> are selected in alphabetical order.

390 If UNITS is specified with *DEVICE-RANGE or with wildcards, alias devices (PAV) and CRD devices and devices that are not assigned to the VM are ignored.

FROM = <alphanum-name 2..2> / <x-text 4..4>

Defines the start of the name range.

TO = <alphanum-name 2..2> / <x-text 4..4>

Defines the end of the name range. The mnemonic device name must be in the same value range (2- or 4-digit mn) as the FROM device name and must be greater than or equal to the FROM device name in ascending order in the value range.

UNITS = <alphanum-name 1..4 with-wild(20)>

Specifies the devices whose usage mode is to be changed.

VM-IDENTIFICATION = <integer 1..99> / <name 1..8>

Identifies the virtual machine by means of a VM index or VM name.

USAGE =

Specifies the new usage mode.

USAGE = *EXCLUSIVE

The device is assigned to the VM exclusively. Exclusively assigned devices are listed in the outputs of the VM2000 information commands under the keyword `EXCL`.

USAGE = *SHARED

The device is declared as shareable (`SHARED`), see also [page 330](#). Shared devices are listed in the outputs of the VM2000 information commands under the keyword `SHARED`.

Command return code, see also [page 431](#)

(SC2)	SC1	Maincode	Bedeutung
	0	CMD0001	Command successfully executed
1	0	CMD0001	No action required
1	0	VMS4035	No corresponding device found (perhaps only alias devices were specified)
1	0	VMS4180	Specified set of devices empty
2	0	VMS2306	VM definition could not be updated (SU /390)
2	0	VMS4231	Usage mode not changed f or all devices of the pubset
	64	VMS3002	Invalid operand value (e.g. *DEVICE-RANGE operand)
	64	VMS4000	VM not yet created
	64	VMS4006	Device not available
	64	VMS4007	Device is not assigned to the virtual machine
	64	VMS4032	Device cannot be assigned to several VMs at the same time
	64	VMS4172	Device is assigned to several VMs
	64	VMS4190	Device is an alias device (PAV)
	64	VMS4195	Device is a CRD device
	64	VMS4223	Command not executed (operand *PUBSET-DEVICES)
	64	VMS9005	Command not or only partially processed
	128	VMS3042	VM being migrated

Guaranteed messages

VMS4032, VMS4172

Only if *PUBSET-DEVICES is specified: VMS4223, VMS4230, VMS4231

Only if UNITS is specified without *DEVICE-RANGE and without wildcards: VMS4006, VMS4007, VMS4190, VMS4195

Example

```
/modify-vm-device-usage vm-id=system2,usage=*shared  
                        units=*pubset-devices(pubset=vm04) _____ (1)  
VMS4230 DEVICE USAGE OF PUBSET 'VM04' WITH PUBRES DEVICE 'D4' MODIFIED
```

- (1) The VM2000 administrator wants to set the usage mode `SHARED` for the devices of the pubset with the pubres device `D4`.

See also the detailed examples for device and pubset management on [page 332](#) and on [page 359](#).

MODIFY-VM-GROUP-ATTRIBUTES

Modify attributes of a VM group (SU /390)

x86 No VM groups are available on SU x86. The command is rejected with message VMS3011 and with general return code VMS9004.

/MODIFY-VM-GROUP-ATTRIBUTES is used to modify the attributes specified for a VM group. These attributes were initially defined with /CREATE-VM-GROUP. The following changes can be made:

- CPU quota of the VM group
- Maximum CPU utilization of the VM group

This command is reserved for the VM2000 administrator.

MODIFY-VM-GROUP-ATTRIBUTES
VM-GROUP-NAME = <name 1..8>
, CPU-QUOTA = <u>*UNCHANGED</u> / <fixed 0.01..99.99>
, MAX-CPU-UTILIZATION = <u>*UNCHANGED</u> / <fixed 0.01..100.00>

VM-GROUP-NAME = <name 1..8>

Name of the VM group.

CPU-QUOTA = *UNCHANGED / <fixed 0.01..99.99>

CPU quota of the VM group, see [page 217](#).

MAX-CPU-UTILIZATION = *UNCHANGED / <fixed 0.01..100.00>

Maximum CPU utilization of the VM group, see [page 217](#).

Command return code, see also [page 431](#)

(SC2)	SC1	Maincode	Bedeutung
	0	CMD0001	Command successfully executed
1	0	CMD0001	No action required
2	0	CMD0001	Decimal specifications rounded to 2 decimal places
	64	VMS4400	VM group not yet created

Example

```
/modify-vm-group-attributes vm-group-name=gcust1,cpu-quota=30,
                             max-cpu-utilization=30
```

See also the detailed [“Example of operating VM groups” on page 223](#).

MODIFY-VMCONS-PARAMETERS

Modify parameters of \$VMCONS

The \$VMCONS parameters are set in the parameter file of the VM2-MON subsystem. /MODIFY-VMCONS-PARAMETERS is used to modify the following parameters

- The OPERID password for the UCON logon of \$VMCONS
- The password for establishing the connection to \$VMCONS

The new passwords are valid for new connections after the command has been executed. Existing connections continue to run unchanged.

The new passwords remain valid until the end of the current session or until the command is entered again. They also remain valid after a restart of \$VMCONS. However, the new passwords are no longer available after an automatic restart of the monitor system. Changes for the next session must be made in the parameter file of the VM2-MON subsystem.

This command is reserved for the VM2000 administrator.

MODIFY-VMCONS-PARAMETERS

OPERID-PASSWORD = *UNCHANGED / *NONE / <c-string 1..8>
,PASSWORD = *UNCHANGED / *NONE / <c-string 1..4> / <x-string 1..8>

OPERID-PASSWORD =

This operand informs \$VMCONS that the password for the assigned OPERID has been changed. The password itself is changed by means of the BS2000 command /MODIFY-USER in the monitor system. The password can be up to 8 characters long.

OPERID-PASSWORD = *UNCHANGED

The previous password is retained.

OPERID-PASSWORD = *NONE

No password is to be defined.

OPERID-PASSWORD = <c-string 1..8>

New password in character form.

PASSWORD =

Specifies whether the password defined for establishing the connection to \$VMCONS is to be modified or retained. The password can be up to 4 bytes long.

PASSWORD = *UNCHANGED

The previous password is retained.

PASSWORD = *NONE

No password is to be defined.

PASSWORD = <c-string 1..4>

New password in character form.

PASSWORD = <x-string 1..8>

New password in hexadecimal form.

Command return code, see also [page 431](#)

(SC2)	SC1	Maincode	Bedeutung
	0	CMD0001	Command successfully executed

MOVE-VM**Move a VM within main memory (SU /390)**

x86 A VM need not be moved on SU x86. The command is rejected with message VMS3011 and with general return code VMS9004.

/MOVE-VM serves to move a VM in VM2000 main memory. Overlapping with the old VM main memory is possible. The monitor VM cannot be moved. A VM cannot be moved while it is being migrated (VM Migration).

This command is reserved for the VM2000 administrator.

MOVE-VM
<p>LOCATION = *BEFORE-VM(...) / *AFTER-VM(...) / *MEMORY-END / <x-text 1..8>(…)</p> <p>*BEFORE-VM(...)</p> <p> VM-IDENTIFICATION = *NEXT / <integer 2..99> / <name 1..8></p> <p>*AFTER-VM(...)</p> <p> VM-IDENTIFICATION = *PREVIOUS / <integer 1..99> / <name 1..8></p> <p><x-text 1..8>(…)</p> <p> DIMENSION = *BYTE / *MEGABYTE</p> <p>,VM-IDENTIFICATION = <integer 2..99> / <name 1..8></p> <p>,MSCF-COORDINATED = *IF-POSSIBLE / *YES / *NO</p>

LOCATION =

Specifies the new location of the VM in VM2000 main memory.

LOCATION = *BEFORE-VM(VM-IDENTIFICATION = *NEXT / <integer 2..99> / <name 1..8>)

Specifies the VM before which the new VM is to be located. If *NEXT is specified, the VM is located before the next VM.

LOCATION = *AFTER-VM(VM-IDENTIFICATION = *PREVIOUS / <integer 1..99> / <name 1..8>)

Specifies the VM after which the new VM is to be located. If *PREVIOUS is specified, the VM is located after the previous VM.

LOCATION = *MEMORY-END

The VM is to be located at the end of the available main memory.

LOCATION = <x-text 1..8>(DIMENSION = *BYTE / *MEGABYTE)

Specifies the address with the dimension. The address must be a multiple of 1 Mbyte. Permissible range of values: 00000000..7FF00000 (hexadecimal digits). If necessary, the address is padded with leading zeros.

VM-IDENTIFICATION = <integer 2..99> / <name 1..8>

Identifies the virtual machine by means of a VM index or VM name.

MSCF-COORDINATED =

The VM (in the RUNNING state) is stopped by VM2000 (WAIT(INT) state, see [page 586](#)), while it is moved in main memory. The duration of this process is not negligible for a large main memory of the VM (greater than 2 Gbyte; more than 10 seconds). For a guest system, this operand enables lock mechanisms to be used in the MSCF network to protect the guest system from being regarded as failed by MSCF partners while it is being moved. Detailed information on MSCF is provided in the “HIPLEX MSCF” manual [10].



This operand is ignored for a VM in the INIT-ONLY or DOWN status.

MSCF-COORDINATED = *IF-POSSIBLE

Protection is not requested in the guest system. However, the command is executed even if configuration of this protection has not been confirmed after a specified time or has even been rejected.

A VM in the HOLD state cannot request the protection. The command is executed immediately.

MSCF-COORDINATED = *YES

Protection is not requested in the guest system. The command is rejected if configuration of this protection has not been confirmed after a specified time or has even been rejected. The command is not executed for a virtual machine in the hold state.

MSCF-COORDINATED = *NO

Protection is not requested.

Command return code, see also [page 431](#)

(SC2)	SC1	Maincode	Bedeutung
	0	CMD0001	Command successfully executed
2	0	VMS4103	MSCF protection not (yet) canceled again
	64	VMS4000	VM not yet created
	64	VMS4011	Requested memory size or location not available
	64	VMS4071	Invalid memory size or location
	64	VMS4100	MSCF protection not supported by the guest system (MSCF-COORDINATED=*YES)
	64	VMS4101	MSCF protection rejected by the guest system (MSCF-COORDINATED=*YES)
	64	VMS4102	MSCF protection not confirmed in time by the guest system (MSCF-COORDINATED=*YES)
	128	VMS3042	VM being migrated
	128	VMS4049	Memory location of the virtual machine could not be changed as a device is still busy

Example

```

/show-vm-resources information=*memory _____ (1)
VM-ID      LOC-BEGIN  MEM-SIZE  MIN-MEM-S  MAX-MEM-S  DEST-MEM-S
HYPERVISOR 00000000          16
 1 MONITOR 00000010          512          512
 2 SYSTEM2 00000210          128          128
NONE       00000290         15216
LARGEST FREE DOMAIN:         15216
/move-vm location=*memory-end,vm-id=system2,mscf-coordinated=*if-poss - (2)
/show-vm-resources information=*memory
VM-ID      LOC-BEGIN  MEM-SIZE  MIN-MEM-S  MAX-MEM-S  DEST-MEM-S
HYPERVISOR 00000000          16
 1 MONITOR 00000010          512          512
NONE       00000210         15216
 2 SYSTEM2 00003D80          128          128
LARGEST FREE DOMAIN:         15216
/move-vm location=*after-vm(vm-id=monitor),vm-id=system2 _____ (3)
/show-vm-resources information=*memory
VM-ID      LOC-BEGIN  MEM-SIZE  MIN-MEM-S  MAX-MEM-S  DEST-MEM-S
HYPERVISOR 00000000          16
 1 MONITOR 00000010          512          512
 2 SYSTEM2 00000210          128          128
NONE       00000290         15216
LARGEST FREE DOMAIN:         15216

```

- (1) The VM2000 administrator queries the distribution of main memory over the VMs.
- (2) The VM2000 administrator moves VM2 to the end of main memory. A free memory area is created between the monitor VM and VM2. MSCF protection is requested, but the command is executed anyway (default).
- (3) The VM2000 administrator places VM2 behind the monitor VM again.

RECOVER-VM-DEFINITION

Recover a VM definition

x86 This function is currently not available on SU x86. The command is rejected with message VMS3011 and with general return code VMS9004.

/RECOVER-VM-DEFINITION recovers a VM definition, i.e. a new VM definition is transferred from a remote Server Unit to the local Server Unit.

The remote Server Unit has to be in the same SU cluster as the local Server Unit. The remote Server Unit must not run. The check has to be conducted by the caller.

This command is reserved for the VM2000 administrator.

RECOVER-VM-DEFINITION

VM-NAME = <name 1..8>

,SERVER-UNIT-NAME = *UNIQUE / <composed-name 1..64>

VM-NAME = <name 1..8>

Name of the VM definition to be recovered by the remote Server Unit.

SERVER-UNIT-NAME =

Name of the Server Unit from which the VM definition is to be recovered.

SERVER-UNIT-NAME = *UNIQUE

In an SU cluster with only two Server Units, the “other” Server Unit is chosen as the remote Server Unit. Otherwise, the name of the remote Server Unit has to be specified.

SERVER-UNIT-NAME = <composed-name 1..64>

Name of the remote Server Unit.

Command return code, see also [page 431](#)

(SC2)	SC1	Maincode	Bedeutung
	0	CMD0001	Command successfully executed
	64	VMS2300	VM definition does not exist
	64	VMS2311	Maximum number of VM definitions already reached
	64	VMS2332	Storage for VM definitions cannot be reached (SU /390)
	64	VMS2341	No unique remote SU detected
	64	VMS2342	Specified SU is the local SU
	64	VMS2343	Specified SU not in an SU cluster with the local SU
	64	VMS2344	Remote SU is running
	64	VMS2345	Unable to retrieve VM definition from the remote SU
	64	VMS2346	VM definition is not unique in the SU cluster
	64	VMS2347	Local SU not detected in any SU cluster
	64	VMS2400	SU not detected
	64	VMS4013	VM name not available

Guaranteed messages

VMS2340

Example

```
/recover-vm-definition vm-name=g4ivn
VMS2340 DEFINITION OF VM 'G4IVN' RECOVERED FROM REMOTE SU 'D021ZE01'
```

REDUCE-VM-MEMORY

Reduce main memory for a VM

`/REDUCE-VM-MEMORY` is used to reduce the main memory of a VM during the current session. The reconfiguration of the main memory can be monitored with a monitor job variable.

After the main memory reduction, the new main memory size is noted in the VM definition.

The main memory of a VM cannot be reduced while the VM is being migrated (VM Migration).

Main memory reconfiguration is possible for VMs in the INIT-ONLY or DOWN states. In the case of active guest systems (VM state RUNNING), main memory reconfiguration is only possible after `SYSTEM READY` for the guest system. Main memory reconfiguration is not possible for VMs in the IN HOLD (WAIT) status.

Since dynamic reconfiguration of main memory requires measures to be taken both in the (active) guest system and in VM2000, the process can be time-consuming. The actual main memory reconfiguration takes place asynchronously after the command has been accepted. During this time any further `/EXTEND-VM-MEMORY` or `/REDUCE-VM-MEMORY` command for the same VM will be rejected.

The `/MOVE-VM (SU /390)` and `/START-VM` commands can be executed during main memory reconfiguration. In this case, the previous main memory size is used as the main memory size for the relevant VM. The same applies when the guest system is restarted.

x86 On SU x86, aborting a main memory reconfiguration with `/START-VM`, `/RESET-VM` or `/DELETE-VM` should be avoided.

Reason: The reconfiguration will only be aborted in BS2000 but continued in the firmware and the carrier system. A BS2000 IPL with `/START-VM` may be delayed until the reconfiguration in the carrier system is complete.

This command is reserved for the VM2000 administrator.

REDUCE-VM-MEMORY

```

VM-IDENTIFICATION = <integer 1..99> / <name 1..8>
, NEW-MEMORY-SIZE = *MINIMUM / <integer 1..1048576>( DIMENSION = *MEGABYTE / *GIGABYTE)
, MONJV= *NONE / <filename 1..54 without-gen-vers>
, JV-PASSWORD = *NONE / <c-string 1..4> / <x-string 1..8> / <integer -2147483648..2147483647>

```

VM-IDENTIFICATION = <integer 1..99> / <name 1..8>

Identifies the virtual machine by means of a VM index or VM name. The monitor VM's main memory can also be reduced.

NEW-MEMORY-SIZE = *MINIMUM / <integer 1..1048576>(DIMENSION = *MEGABYTE / *GIGABYTE)

New size of main memory after reduction for the relevant VM up to a size of 1 Tbyte (terabyte; 1 Tbyte = 1024 Gbytes = 1 048 576 Mbytes).

- 390 On SU /390 the new main memory size may be below the `MIN-MEMORY-SIZE` of the VM concerned if the VM is in the `INIT-ONLY` or `DOWN` status. In this case the value for the VM's `MIN-MEMORY-SIZE` is assigned the value of `NEW-MEMORY-SIZE`.
- x86 On SU x86 the new main memory size may not be below the `MIN-MEMORY-SIZE` of the VM concerned. The value must be a multiple of 2 Mbytes.

If *`MINIMUM` is specified, the main memory size of the VM is reduced to the smallest possible main memory size (`MIN-MEMORY-SIZE`).

MONJV =

Defines a monitor job variable for monitoring the reconfiguration of the main memory (see [page 317](#)).

MONJV = *NONE

No monitor job variable is defined.

MONJV = <filename 1..54 without-gen-vers>

The specified `MONJV` is supplied with data by VM2000; the sender of the command must therefore have write permission for the specified `MONJV`. If no catalog ID or user ID is specified in the file name, VM2000 completes the file name, in accordance with the runtime environment of the sender of the command. If a file name which does not yet have a job variable is specified, VM2000 creates the `MONJV` as shareable and without a password.

JV-PASSWORD = *NONE / <c-string 1..4> / <x-string 1..8> / <integer ...>

Password of the MONJV for checking access authorization. The input field is automatically blanked in the guided dialog. The value input is not logged.



This operand is only evaluated if a previously created monitor job variable was specified with MONJV=.

Command return code, see also [page 431](#)

(SC2)	SC1	Maincode	Bedeutung
	0	CMD0001	Command successfully executed
1	0	CMD0001	No action required
	64	VMS2070	VM in the IN HOLD (WAIT) state
	64	VMS4000	VM not yet created
	64	VMS4011	Requested memory size or location not available
	64	VMS4071	Invalid memory size or location
	64	VMS4091	A guest system for which main memory reconfiguration is not possible is running on the VM
	64	VMS4093	Invalid memory size
	64	VMS4340	Opening of MONJV rejected by subsystem JV
	64	VMS4341	JV already assigned to another VM
	128	VMS3042	VM being migrated
	128	VMS4092	Memory reconfiguration is still active

Guaranteed messages

VMS2306 (SU /390)

Example

```

/Reduce-vm-memory vm-id=2,new-memory-size=*minimum _____ (1)
/show-vm-resources information=*memory _____ (2)
VM-ID          LOC-BEGIN  MEM-SIZE  MIN-MEM-S  MAX-MEM-S  DEST-MEM-S
HYPERVISOR     00000000          16
  1 MONITOR    00000010          512          512
  2 SYSTEM2    00000210          256          128          128
NONE           00000310          15088
LARGEST FREE DOMAIN:          15088
/show-vm-resources information=*memory
VMS4094 MEMORY-RECONFIGURATION FOR VIRTUAL MACHINE (2,SYSTEM2) HAS BEEN
        SUCCESSFULLY PROCESSED. CURRENT MEMORY SIZES: 128 / 128 _____ (3)
VM-ID          LOC-BEGIN  MEM-SIZE  MIN-MEM-S  MAX-MEM-S  DEST-MEM-S
HYPERVISOR     00000000          16
  1 MONITOR    00000010          512          512
  2 SYSTEM2    00000210          128          128 _____ (4)
NONE           00000290          15216
LARGEST FREE DOMAIN:          15216

```

- (1) The main memory for the SYSTEM2 VM is to be reduced to its minimum value.
- (2) The VM2000 administrator fetches information on the main memory distribution in VM2000. VM2 has a main memory size of 256 Mbytes and a minimum memory size of 128 Mbytes. The planned new memory size of 128 Mbytes is shown as well while the request is being processed.
- (3) Completion of the asynchronous reconfiguration request is reported to the VM2000 administrator as an asynchronous (guaranteed) message in the user event stream or displayed at the next input (main memory reconfiguration is time-consuming).
- (4) The main memory size for VM2 is now 128 Mbytes (again). This increases the remaining free main memory.

REMOVE-VM-DEVICES

Deallocate devices from VM

`/REMOVE-VM-DEVICES` is used to remove devices explicitly from a VM that were previously assigned explicitly or implicitly. Individual devices are addressed using their mnemonic device names. The devices of a pubset are determined by means of the catalog ID of the pubset or the mnemonic device name of the pubres device.

The home pubset and other imported pubsets, paging disks and the final console cannot be removed from the monitor VM.

The deallocated devices are removed from the VM definition.



The devices removed from a VM should be disconnected beforehand in the corresponding guest system with `/DETACH-DEVICE`.



Alias devices (PAV) and CRD devices cannot be explicitly removed.

REMOVE-VM-DEVICES

```

UNITS = *ALL(...) / *PUBSET-DEVICES(...) /
        list-poss(28): *DEVICE-RANGE(...) / <alphanum-name 1..4 with-wild(20)>

*ALL(...)
  | CHECK-VM-STATE = *YES / *NO
*PUBSET-DEVICES(...)
  | PUBSET = *BY-PUBRES-DEVICE(...) / <cat-id 1..4>
  | *BY-PUBRES-DEVICE(...)
  |   | UNIT = <alphanum-name 2..2> / <x-text 4..4>
*DEVICE-RANGE(...)
  | FROM = <alphanum-name 2..2> / <x-text 4..4>
  | ,TO = <alphanum-name 2..2> / <x-text 4..4>
,VM-IDENTIFICATION = *CURRENT / <integer 1..99> / <name 1..8>
,FORCE = *NO(...) / *YES
  | *NO(...)
  |   | WAIT-FOR-UNASSIGN = *NO / *YES

```

UNITS =

Defines the devices to be removed from the VM.

UNITS = *ALL(...)

All the devices assigned to this VM are removed. Alias devices (PAV) and CRD devices are also removed. If a device cannot be removed when *ALL is specified, the command is not executed for this device.

CHECK-VM-STATE =

Determines whether the command is executed, depending on the current state of the VM.

CHECK-VM-STATE = *YES

The command is only executed if the VM is in the DOWN or INIT-ONLY state.

CHECK-VM-STATE = *NO

The command is executed regardless of the VM state.

UNITS = *PUBSET-DEVICES(...)

All devices of a pubset are to be removed from the VM.



See also [“Notes on pubset specification in the VM2000 commands” on page 351.](#)

PUBSET = *BY-PUBRES-DEVICE(...)

Determines the devices of the pubset by means of the pubres device.

UNIT = <alphanum-name 2..2> / <x-text 4..4>

Mnemonic device name of the pubres device.

PUBSET = <cat-id 1..4>

Catalog ID of the pubset. The pubset must be entered together with its pubres device in the monitor system's MRS catalog.

UNITS = *DEVICE-RANGE(...)

All the devices in this name range are to be removed from the VM.



Device names <x-text 4..4> (in *DEVICE-RANGE) are selected from FROM to TO in hexadecimal order. Otherwise, device names <a1phanum-name 2..2> are selected in alphabetical order.



If UNITS is specified with *DEVICE-RANGE or with wildcards, alias devices (PAV) and CRD devices and devices that are not assigned to the VM are ignored.

FROM = <alphanum-name 2..2> / <x-text 4..4>

Defines the start of the name range.

TO = <alphanum-name 2..2> / <x-text 4..4>

Defines the end of the name range. The mnemonic device name must be in the same value range (2- or 4-digit mn) as the FROM device name and must be greater than or equal to the FROM device name in ascending order in the value range.

UNITS = <alphanum-name 1..4 with-wild(20)>

Defines the devices which are to be removed from the VM.

VM-IDENTIFICATION =

Identification of the virtual machine.

VM-IDENTIFICATION = *CURRENT

The VM identification assigned previously by means of /BEGIN-VM-DIALOG is used.

VM-IDENTIFICATION = <integer 1..99> / <name 1..8>

Identifies the virtual machine by means of a VM index or VM name.

FORCE =

Specifies the conditions under which devices are removed.

FORCE = *NO(...)

The device is removed from the VM if the VM is in the DOWN or INIT-ONLY state or if the device is detached in the BS2000 guest system. The device is not removed, if there is an outstanding input/output for the device, or if the VM is in the wait state (after /HOLD-VM) or if the guest system is in the startup phase.

No devices can be removed from a VM with FORCE=*NO while it is being migrated (VM Migration).

WAIT-FOR-UNASSIGN = *NO

If the device is still attached in the guest system, it remains assigned explicitly to the VM.

WAIT-FOR-UNASSIGN = *YES

If the device is still attached in the guest system, it remains assigned explicitly to the VM until the BS2000 command /DETACH-DEVICE implicitly releases this device in the guest system. The explicit assignment of the device to the VM is canceled.

FORCE = *YES

VM2000 tries to remove the device from the VM, even if it is still in use. If this is not possible, message VMS4003 or VMS4031 is output. The operand should only be used in exceptional circumstances.

390 On SU /390 the IO-RESET privilege of the VM must be noted (see [page 142](#)).

Command return code, see also [page 431](#)

(SC2)	SC1	Maincode	Bedeutung
	0	CMD0001	Command successfully executed
1	0	CMD0001	Pubset not assigned to VM (VMS4236)
1	0	VMS4035	No corresponding device found
1	0	VMS4180	Specified set of devices empty
2	0	CMD0001	Device remains implicitly assigned to the VM until it is detached in the guest system (VMS4087)
2	0	VMS2306	VM definition could not be updated (SU /390)
2	0	VMS4226	Not all of the pubset's devices could be removed
2	0	VMS4235	Some devices of the pubset remain implicitly assigned to the VM (VMS4087)
2	0	VMS4237	Only the pubres device could be removed
	64	VMS3002	Invalid operand value (e.g. *DEVICE-RANGE operand)
	64	VMS3040	Not processed because of the state of the VM
	64	VMS4000	VM not yet created
	64	VMS4006	Device is not available
	64	VMS4007	Device is not assigned to the virtual machine
	64	VMS4021	Device is the last console or main console of the monitor system. Reconfiguration not possible
	64	VMS4022	Device is currently being used as a public disk in the monitor system. Reconfiguration not possible
	64	VMS4031	Device is INOP
	64	VMS4085	Device not detached in guest system (FORCE=*NO)
	64	VMS4086	Device state not known in the guest system (FORCE=*NO)
	64	VMS4143	Guest system is in the startup phase (FORCE=*NO)
	64	VMS4144	VM is in the wait state (FORCE=*NO)
	64	VMS4190	Device is an alias device (PAV)
	64	VMS4195	Device is a CRD device
	64	VMS4223	Command not executed (operand *PUBSET-DEVICES)
	64	VMS9005	Command could not be processed or could only be partially processed
	128	VMS3042	VM being migrated
	128	VMS4003	Device is busy

Guaranteed messages

VMS4003, VMS4009, VMS4021, VMS4022, VMS4031, VMS4085, VMS4086, VMS4087

Only if *PUBSET-DEVICES is specified: VMS4223, VMS4225, VMS4226, VMS4235, VMS4236, VMS4237.

Only if UNITS is specified without *DEVICE-RANGE and without wildcards: VMS4006, VMS4007 (but not in the case of UNITS specification with *PUBSET-DEVICES), VMS4190, VMS4195.

Example

```

/remove-vm-devices vm-id=system2,units=*pubset-devices(pubset=4ivl) —— (1)
VMS4085 DEVICE 'FC1C' STILL ATTACHED IN GUEST SYSTEM. DEVICE NOT REMOVED
VMS4085 DEVICE 'FC1D' STILL ATTACHED IN GUEST SYSTEM. DEVICE NOT REMOVED
VMS4223 VM2000 COMMAND /REMOVE-VM-DEVICES FOR PUBSET SPECIFIED BY PUBRES
        DEVICE OR CATID '4IVL' REJECTED _____ (2)

/remove-vm-devices units=*pubset-devices(pubset=4ivl),vm-id=system2,
        force=*no(wait-for-unassign=*yes) _____ (3)
VMS4087 DEVICE 'FC1C' REMAINS ASSIGNED TO VM (2,SYSTEM2) UNTIL DETACH IN
        GUEST SYSTEM HAS BEEN DONE
VMS4087 DEVICE 'FC1D' REMAINS ASSIGNED TO VM (2,SYSTEM2) UNTIL DETACH IN
        GUEST SYSTEM HAS BEEN DONE
VMS4235 SOME DEVICES OF PUBSET '4IVL' WITH PUBRES DEVICE 'FC1C' REMAIN
        ASSIGNED TO VM (2,SYSTEM2) UNTIL DETACH IN GUEST SYSTEM HAS BEEN DONE
/remove-vm-devices units=(ch,ci,990f),vm-id=system2, _____ (4)
VMS4009 DEVICE 'CH' REMOVED FROM VIRTUAL MACHINE (2,SYSTEM2)
VMS4009 DEVICE 'CI' REMOVED FROM VIRTUAL MACHINE (2,SYSTEM2)
VMS4009 DEVICE '990F' REMOVED FROM VIRTUAL MACHINE (2,SYSTEM2)

```

- (1) The VM2000 administrator would like to remove the pubset devices of pubset 4IVL from VM2.
- (2) The devices cannot be removed because they are still attached in the guest system.
- (3) By means of the FORCE=*NO(WAIT-FOR-UNASSIGN=*YES) operand the VM2000 administrator changes explicit assignment to implicit assignment (FORCE=*YES should only be used in exceptional cases).
- (4) Further devices are removed from VM2.

See also the detailed examples for device and pubset management on [page 332](#) and on [page 359](#).

REMOVE-VM-FROM-VM-GROUP

Remove VM from VM group (SU /390)

x86 No VM groups are available on SU x86. The command is rejected with message VMS3011 and with general return code VMS9004.

/REMOVE-VM-FROM-VM-GROUP is used to remove a VM from a VM group.

The change of assignment is noted in the VM definition.

A VM cannot be removed from a VM group while it is being migrated (VM Migration).

This command is reserved for the VM2000 administrator.

REMOVE-VM-FROM-VM-GROUP

VM-IDENTIFICATION = <integer 1..99> / <name 1..8>

, **VM-GROUP-NAME** = <name 1..8>

, **CPU-QUOTA** = <fixed 0.01..99.99>

VM-IDENTIFICATION = <integer 1..99> / <name 1..8>

Identifies the virtual machine by means of a VM index or VM name.

VM-GROUP-NAME = <name 1..8>

Name of the VM group.

CPU-QUOTA = <fixed 0.01..99.99>

New CPU quota of the VM.

Determines the VM's own CPU share in comparison to the VM groups and the other VMs which do not belong to a VM group (see [page 283](#)). The VM's previous member CPU quota of the VM is relinquished.

Command return code, see also [page 431](#)

(SC2)	SC1	Maincode	Bedeutung
	0	CMD0001	Command successfully executed
2	0	CMD0001	Decimal specifications rounded to 2 decimal places
2	0	VMS2306	VM definition could not be updated (SU /390)
	64	VMS4000	VM not yet created
	64	VMS4427	VM does not belong to VM group
	128	VMS3042	VM being migrated

Guaranteed messages

VMS4429

Example

```
/remove-vm-from-vm-group vm-id=c1sys1,vm-group-name=gcust1,  
cpu-quota=30 _____ (1)  
VMS4429 VIRTUAL MACHINE (2,C1SYS1) REMOVED FROM VM GROUP 'GCUST1'
```

- (1) The VM C1SYS1 is removed from the VM group. It (again) becomes an autonomous VM with a CPU quota of 30. The member CPU quota is relinquished.

See also the detailed [“Example of operating VM groups”](#) on page 223.

RESET-VM

Abort the guest system on a VM

`/RESET-VM` aborts the guest system on a VM, i.e. the virtual CPUs of the VM are stopped. The VM assumes the INIT-ONLY status.

The change of state is noted in the VM definition.

The attributes and resources of the VM remain intact. ADMIN and VC dialogs continue to run. Implicitly assigned devices (see [page 326](#)) are, however, removed from the VM. If main memory reconfiguration is being carried out, it is terminated.

The guest system on a VM cannot be aborted while the VM is being migrated (VM Migration).

390 On SU /390 the Channel Subsystem Monitoring Facility function is switched off for the guest system.

The following tasks are facilitated with `/RESET-VM`:

- Final termination of a guest system which seems to have failed
- Immediate termination of a test system if shutdown is not wished for or not possible

This command cannot be used on the monitor VM.

RESET-VM
VM-INDEX = <integer 1..99> ,VM-NAME = <name 1..8>

VM-INDEX = <integer 1..99>

Specifies the VM index.

VM-NAME = <name 1..8>

Name of the VM whose guest system is to be aborted.



Both operands must be specified to avoid terminating the wrong guest system inadvertently.

Command return code, see also [page 431](#)

(SC2)	SC1	Maincode	Bedeutung
	0	CMD0001	Command successfully executed
2	0	VMS2306	VM definition could not be updated (SU /390)
	64	VMS3036	VM name and VM index do not correspond
	64	VMS4000	VM not yet created
	128	VMS3042	VM being migrated

Example

```

/show-vm-attributes vm-id=system2
      CPU-POOL(P)
VM-ID      VM-GROUP(G) CPU-Q    MAX-U  PROC    MEM-SIZE  MAX-IO
 2 SYSTEM2 *STDPOOL(P) 30.00 100.00 1(+1)      128  (100)

VM-ID      STATE          VERSION PER ADMIN PRIV
 2 SYSTEM2  RUNNING          V10.0A NO  NO   AS
/reset-vm vm-index=2,vm-name=system2 _____ (1)
VMS3051 VIRTUAL MACHINE (2,SYSTEM2) RESET
% VMS2051 GUEST SYSTEM ON VM (2,SYSTEM2) DOWN;
      REASON: VM-ADMINISTRATOR COMMAND _____ (2)
/show-vm-attributes vm-id=system2
      CPU-POOL(P)
VM-ID      VM-GROUP(G) CPU-Q    MAX-U  PROC    MEM-SIZE  MAX-IO
 2 SYSTEM2 *STDPOOL(P) 30.00 100.00 1(+1)      128  (100)

VM-ID      STATE          VERSION PER ADMIN PRIV
 2 SYSTEM2  INIT-ONLY          NO  NO   AS _____ (3)

```

- (1) The guest system on VM2 which is still active but defective is aborted.
- (2) Asynchronous message about the guest system status.
- (3) The new state of the VM is INIT-ONLY. The VM retains its attributes and resources (with the exception of implicitly assigned devices).

RESTORE-VM-CONFIGURATION

Restoring the VM2000 configuration

`/RESTORE-VM-CONFIGURATION` is used to restore the VM2000 configuration from the file in which it was previously backed up. See [section “Backing up and restoring the VM2000 configuration” on page 397](#).



Persistent VMs are not contained in the backup file. They can be activated again with `/ACTIVATE-VM-DEFINITION` after the VM2000 configuration has been restored.

This command is reserved for the VM2000 administrator.

RESTORE-VM-CONFIGURATION

FROM-FILE = <filename 1..54 without-gen>

FROM-FILE =

Name of the backup file from which the VM2000 configuration is to be restored. The file must have been created using the `/SAVE-VM-CONFIGURATION` command.

Command return code, see also [page 431](#)

(SC2)	SC1	Maincode	Bedeutung
	0	CMD0001	Command successfully executed
2	0	VMS4802	VM2000 configuration only partially restored from backup file
	64	VMS4015	VM ID already reserved
	64	VMS4202	Assignment set already created
	64	VMS4610	VM group already created
	64	VMS4602	CPU pool already created
	64	VMS4810	VM2000 version too old
	64	VMS4812	Number of real normal or extra CPUs too low
	64	VMS4842	Error reading the backup file
	64	VMS4844	A particular record is missing in the backup file
	64	VMS4845	A particular record is missing in the backup file for a particular component
	64	VMS4846	A particular component is missing in the backup file
	64	VMS4847	Faulty record in the backup file
	64	VMS4848	Faulty component in the backup file
	128	VMS4831	Memory reconfiguration being processed

Guaranteed messages

VMS4801, VMS4802

Example

```
/restore-vm-configuration from-file=vm2000-conf
```

```
VMS4801 VM2000 CONFIGURATION RESTORED FROM FILE ':4IVZ:$TSOS.VM2000-CONF'
```

RESUME-VM

Resume VM operation

`/RESUME-VM` is used to cancel a VM wait state explicitly imposed beforehand. After command execution, the VM is in the RUNNING state, provided no further wait state had to be taken into consideration.

The change of state is noted in the VM definition.

The following rules apply to canceling the wait state:

- The wait state of a VM suspended by the VM administrator can be canceled by the VM2000 administrator
- The wait state of a VM suspended by the VM2000 administrator cannot be canceled by the VM administrator



Owing to “pending interrupts”, the VM can continue at another address, in another state than specified in the corresponding `/HOLD-VM` command.

Canceling overlapping wait states is described on [page 162](#).

RESUME-VM
VM-IDENTIFICATION = <u>*CURRENT</u> / *ALL / <integer 1..99> / <name 1..8>

VM-IDENTIFICATION =

Identification of the virtual machine.

VM-IDENTIFICATION = *CURRENT

The VM identification assigned previously by means of `/BEGIN-VM-DIALOG` is used.

VM-IDENTIFICATION = *ALL

The global wait state is canceled for all suspended VMs. This operand is reserved for the VM2000 administrator.

VM-IDENTIFICATION = <integer 1..99> / <name 1..8>

Identifies the virtual machine by means of a VM index or VM name.

Command return code, see also [page 431](#)

(SC2)	SC1	Maincode	Bedeutung
	0	CMD0001	Command successfully executed
1	0	CMD0001	No action required
2	0	VMS2020	VM remains in IN HOLD(WAIT) state
2	0	VMS2306	VM definition could not be updated (SU /390)
	64	VMS2001	VM not in IN HOLD(WAIT) state
	64	VMS4000	VM not yet created
	64	VMS4612	No attached CPU in the CPU pool
	64	VMS9005	Command could not be processed or could only be partially processed

Guaranteed messages

VMS2001, VMS2016, VMS2020, VMS4083

Example

```

/show-vm-attributes vm-id=system2 _____ (1)
      CPU-POOL(P)
VM-ID      VM-GROUP(G) CPU-Q    MAX-U  PROC    MEM-SIZE  MAX-IO
 2 SYSTEM2 *STDPOOL(P) 30.00  100.00 1(+1)      128  (100)

VM-ID      STATE                VERSION PER ADMIN PRIV
 2 SYSTEM2 WAIT(SEL)                V10.0A NO  NO  AS _____ (2)
/show-vm-attributes vm-id=system2 _____ (3)
VMS2016 VIRTUAL MACHINE (2,SYSTEM2) RESUMED BY THE VM2000 ADMINISTRATOR
/show-vm-attributes vm-id=system2
      CPU-POOL(P)
VM-ID      VM-GROUP(G) CPU-Q    MAX-U  PROC    MEM-SIZE  MAX-IO
 2 SYSTEM2 *STDPOOL(P) 30.00  100.00 1(+1)      128  (100)

VM-ID      STATE                VERSION PER ADMIN PRIV
 2 SYSTEM2 RUNNING                V10.0A NO  NO  AS _____ (4)

```

- (1) The VM2000 administrator requests the status of VM2.
- (2) VM2 is in the wait state WAIT(SEL), triggered by a /HOLD-VM VM-ID=2 from the VM2000 administrator.
- (3) The wait state for VM2 is canceled by the VM2000 administrator.
- (4) VM2 is (again) in the RUNNING state.

SAVE-VM-CONFIGURATION

Save the VM2000 configuration

`/SAVE-VM-CONFIGURATION` is used to save the current VM2000 configuration to a file. See [section “Backing up and restoring the VM2000 configuration” on page 397](#).



Persistent VMs are not saved. For each persistent VM a warning (VMS4817) is issued. They can also be restored with `/ACTIVATE-VM-DEFINITION` after the VM2000 configuration has been restored (`/RESTORE-VM-CONFIGURATION`).

The VM2000 configuration cannot be saved while a VM is being migrated (VM Migration).

This command is reserved for the VM2000 administrator.

SAVE-VM-CONFIGURATION

TO-FILE = *STD / <filename 1..54 without-cat-gen-ver>

TO-FILE =

Name of the backup file for the current VM2000 configuration.

TO-FILE = *STD

The file is assigned the name `SYS.VM2.CFG.<system_name><timestamp>`.

TO-FILE = <filename 1..54 without-cat-gen-ver>

Explicitly defines the name of the backup file.

Command return code, see also [page 431](#)

(SC2)	SC1	Maincode	Bedeutung
	0	CMD0001	Command successfully executed
2	0	VMS4814	An extra CPU is attached when the VM2000 configuration is restored from the backup file
2	0	VMS4818	Warnings occur when saving the VM2000 configuration
	64	VMS2070	VM in the IN HOLD (WAIT) state
	64	VMS4840	Creation of the backup file rejected by DMS
	64	VMS4841	Error writing to the backup file
	128	VMS3042	VM being migrated
	128	VMS4830	VM has not yet reached SYSTEM READY
	128	VMS4831	Memory reconfiguration being processed
	128	VMS4832	Device configuration during processing

Guaranteed messages

VMS4800, VMS4817

Example

```
/save-vm-configuration to-file=vm2000-conf
VMS4800 CURRENT VM2000 CONFIGURATION SAVED IN FILE ':4IVZ:$TSOS.VM2000-CONF'
```

SEND-VM-MESSAGE

Pass messages to VM administrators

/SEND-VM-MESSAGE enables messages to be sent to the VM administrators.

SEND-VM-MESSAGE
MESSAGE = <c-string 1..72> ,VM-IDENTIFICATION = *ALL / <integer 1..99> / <name 1..8>

MESSAGE = <c-string 1..72>

Message to be sent to all VM administrators of the specified VM.

VM-IDENTIFICATION =

Identification of the virtual machine.

VM-IDENTIFICATION = *ALL

The message is sent to all VM administrators of all VMs.

VM-IDENTIFICATION = <integer 1..99> / <name 1..8>

Identifies the virtual machine by means of a VM index or VM name.

Command return code, see also [page 431](#)

(SC2)	SC1	Maincode	Bedeutung
	0	CMD0001	Command successfully executed
	64	VMS1015	No VM administrator connected
	64	VMS4000	VM not yet created

Example (via \$VMCONS)

```

vm01:/send-vm-message message=c'*** shutdown in 5 min ***',vm-id=*all — (1)
VM01:VMS3000 VM2000 COMMAND /SEND-VM-MESSAGE FOR
VIRTUAL MACHINE ( ,*ALL) PROCESSED SUCCESSFULLY
VM01:NBR0740 COMMAND COMPLETED 'SEND-VM-MESSAGE';
(RESET: SC2=000, SC1=000, MC=CMD0001); DATE: <date>
VM01:VMS2036 MESSAGE FROM VIRTUAL MACHINE (1,VM1):
'*** SHUTDOWN IN 5 MIN ***' _____ (2)
VM02:VMS2036 MESSAGE FROM VIRTUAL MACHINE (1,VM1):
'*** SHUTDOWN IN 5 MIN ***' _____ (3)
VM04:VMS2036 MESSAGE FROM VIRTUAL MACHINE (1,VM1):
'*** SHUTDOWN IN 5 MIN ***' _____ (4)
vm04:/send-vm-message message=c'** shutdown !!! **',vm-id=2 _____ (5)
VM04:VMS3000 VM2000 COMMAND /SEND-VM-MESSAGE FOR
VIRTUAL MACHINE (2,SYSTEM2) PROCESSED SUCCESSFULLY
VM04:NBR0740 COMMAND COMPLETED 'SEND-VM-MESSAGE';
(RESET: SC2=000, SC1=000, MC=CMD0001); DATE: <date>
VM02:VMS2036 MESSAGE FROM VIRTUAL MACHINE (4,SYSTEM4):
'** SHUTDOWN !!! **' _____ (6)

```

- (1) The VM2000 administrator sends the message ***** SHUTDOWN IN 5 MIN ***** to all VM administrators.
- (2) This message appears in the ADMIN dialog for the monitor VM.
- (3) This message appears in the ADMIN dialog for VM2.
- (4) This message appears in the ADMIN dialog for VM4.
- (5) The VM4 administrator sends the message **** SHUTDOWN !!! **** to the VM2 administrator.
- (6) This message appears in the ADMIN dialog for VM2.



When administration is carried out from a user task, message VMS2036 is displayed as an asynchronous message in the user event stream or at the next input.

SHOW-VM-ASSIGNMENT-SET

Output assignment sets

/SHOW-VM-ASSIGNMENT-SET is used to output the attributes of assignment sets.

The command provides the following information:

- Name of the assignment set
- VMs which devices from the relevant assignment set may implicitly assign themselves
- Number of devices which are assigned to the assignment set

This command is reserved for the VM2000 administrator.

SHOW-VM-ASSIGNMENT-SET
SET-NAME = <u>*ALL</u> / *STDSET / <name 1..8>

SET-NAME =

Determines the assignment set about which information is to be output.

SET-NAME = *ALL

Information is to be output about all assignment sets.

SET-NAME = *STDSET / <name 1..8>

Name of the assignment set.

Command return code, see also [page 431](#)

(SC2)	SC1	Maincode	Bedeutung
	0	CMD0001	Command successfully executed
	64	VMS4200	Assignment set not yet created

Output in S variables (in user task)

Ausgabe-Information	Name der S-Variablen	T	Inhalt	Bedingung
Name of the assignment set	var(*LIST).ASSIGNMENT-SET	S	*STDSET <name 1..8>	
Index of the VM which may implicitly assign itself devices from this assignment set	var(*LIST).VM(*LIST).VM-INDEX	I	<integer 1..99>	
Name of the VM which may implicitly assign itself devices from this assignment set	var(*LIST).VM(*LIST).VM-NAME	S	<name 1..8>	
Number of devices which are assigned to the assignment set	var(*LIST).NUM-OF-DEV	I	<integer 0..32767>	
Are new devices added to this assignment set?	var(*LIST).NEW-DEV	B	TRUE / FALSE	
Number of VMs which may implicitly assign themselves devices from this assignment set	var(*LIST).NUM-OF-VMS	I	<integer 0..99>	

Output format*Example*

ASSIGNMENT-SET	#DEVICES	VM-ID
*STDSET	2+NEW	1 MONITOR 3 SYSTEM3
DUMMY	0	NONE
SYS2IMPL	3	2 SYSTEM2

Meaning of the output columns

ASSIGNMENT-SET

Name of the assignment set.

#DEVICES

Number of devices which are assigned to the assignment set.

+NEW

Suffix which indicates that new devices are assigned to this assignment set.

VM-ID

Identifies a VM which may implicitly assign itself devices from this assignment set by means of the VM index and VM name.

NONE

No VM may implicitly assign itself devices from this assignment set.**Example**

See also the detailed examples for device and pubset management on [page 332](#) and on [page 359](#).

SHOW-VM-ATTRIBUTES

Output attributes of a VM

`/SHOW-VM-ATTRIBUTES` is used to output the attributes of initialized virtual machines.

The command provides the following information:

- The attributes of the VM, as defined by means of command
- The VM status
- The version of the BS2000 operating system in the guest system
- Whether a VM administrator is connected to the VM
- The privileges for the VM
- The VM group to which the VM belongs (SU /390)
- The CPU pool to which the VM is assigned
- The scheduling procedure of the VM
- The settings of the VM for control via the real CPU (SU /390)
- The state of the virtual CPUs
- The devices assigned to the VM
- Start address and size of the VM's main memory (SU /390)
- The monitor job variables assigned to the VM



You obtain information on the attributes and resources contained in the VM definition using `/SHOW-VM-DEFINITION`.

SHOW-VM-ATTRIBUTES

```

INFORMATION = *STD / *CPU / *UNITS / *GS1 / *MEMORY / *MONJV / *PRIVILEGES / *ALL
, TYPE = *ALL / *SD / *VC / <family> / <device>
, VM-IDENTIFICATION = *CURRENT / *VM2000 / <integer 1..99> / <name 1..8 with-wild(20)> /
*BY-VM-GROUP(...) / *BY-CPU-POOL(...)

*BY-VM-GROUP(...)
|   VM-GROUP-NAME = <name 1..8>

*BY-CPU-POOL(...)
|   CPU-POOL-NAME = *STDPOOL / <name 1..8>

```

¹ The operand value ***GS** is obsolete. For reasons of compatibility the parameter can still be specified. **NO GS AVAILABLE** is always output.

INFORMATION =

Specifies the output information.

INFORMATION = *STD

Only VM attributes and statuses.

INFORMATION = *CPU

Only information on the state of the virtual CPUs of the VM.

INFORMATION = *UNITS

Only the devices which are assigned to the VM are output.

INFORMATION = *MEMORY

Only information on the VM's main memory.

INFORMATION = *MONJV

Only information on the monitor job variables which are assigned to the VM.

INFORMATION = *PRIVILEGES

Only information on the privileges of the VM.

INFORMATION = *ALL

All the information contained in the outputs ***STD**, ***CPU**, ***UNITS**, ***GS**, ***MEMORY**, ***MONJV** and ***PRIVILEGES**.

TYPE =

Selects the devices assigned to the VM that are to be output. This operand is evaluated only if the operand `INFORMATION=*ALL/UNITS` is specified at the same time.

TYPE = *ALL

Output of all devices assigned to the VM.

TYPE = *SD

Output of all devices of the VM which are declared as shareable.

TYPE = *VC

Output of all devices of the VM which are assigned as virtual console.

TYPE = <family>

Output of the devices of the specified device family which are assigned to the VM.

<family>	<family> name
*CONSOLE	Console
*PRINTER	Printer
*FAM50	Special devices
*TD	TRANSDATA device
*EXOTIC	Physically supported device
*UR	Unit record device
*DISK	Disk device
*UNMTAPE	Unimodal tape device
*MBK	Magnetic tape cartridge device
*BIMTAPE	Bimodal tape device
*TAPE	Tape device

TYPE = <device>

Output of all devices of the specified device type which are assigned to the VM. The possible device types are contained in the device type table (Device type column) in the "System Installation" manual [1]. The possible device and volume types are displayed in the dialog with `TYPE=?`. The device types on the current system can be displayed by means of `/SHOW-DEVICE-CONFIGURATION`, for example.

VM-IDENTIFICATION =

Identification of the virtual machine.

VM-IDENTIFICATION = *CURRENT

The VM identification assigned previously by means of /BEGIN-VM-DIALOG is used.

VM-IDENTIFICATION = *VM2000

The information is output for all configured VMs. This operand is only permitted for the VM2000 administrator.

VM-IDENTIFICATION = <integer 1..99> / <name 1..8 with-wild(20)>

Identifies the virtual machine by means of a VM index or VM name. Only the VM2000 administrator is permitted to enter wildcards in the VM name or specify an arbitrary VM.

VM-IDENTIFICATION = *BY-VM-GROUP(...)

Information is output for all VMs which belong to the VM group (SU /390). This operand is only permitted for the VM2000 administrator.

VM-GROUP-NAME = <name 1..8>

Name of the VM group.

VM-IDENTIFICATION = *BY-CPU-POOL(...)

No selection is made on this basis. This operand is only permitted for the VM2000 administrator.

CPU-POOL-NAME = *STDPOOL / <name 1..8>

Name of the CPU pool.

Command return code, see also [page 431](#)

(SC2)	SC1	Maincode	Bedeutung
	0	CMD0001	Command successfully executed
1	0	VMS4035	Specified set of devices empty (INFORMATION=*ALL / *UNITS)
2	0	VMS4001	No VM with appropriate name found
2	0	VMS4403	No VM belongs to VM group
2	0	VMS4613	No VM has been assigned to CPU pool
	64	VMS4000	VM not yet created
	64	VMS4400	VM group not yet created
	64	VMS4600	CPU pool not yet created

Output in S variables (in user task)

The `INFORMATION` operand of the command is used to specify which S variables are to be supplied with values. The following can be specified for `INFORMATION`:

Notation of command	Abbreviated form used in table
<code>INFORMATION = *STD</code>	1
<code>INFORMATION = *CPU</code>	2
<code>INFORMATION = *UNITS</code>	3
<code>INFORMATION = *MEMORY</code>	4
<code>INFORMATION = *GS</code>	5
<code>INFORMATION = *MONJV</code>	6
<code>INFORMATION = *PRIVILEGES</code>	7
<code>INFORMATION = *ALL</code>	8

Ausgabe-Information	Name der S-Variablen	T	Inhalt	Bedingung
The VM index	<code>var(*LIST).VM-INDEX</code>	I	<integer 1..99>	1 - 8
Name of VM	<code>var(*LIST).VM-NAME</code>	S	<name 1..8>	1 - 8
Multiprocessor level of the VM	<code>var(*LIST).NUM-OF-CPUS</code>	I	<integer 1..32>	1,2,8
Number of virtual spare CPUs of the VM	<code>var(*LIST).NUM-OF-VM-SPARE-CPUS</code>	I	<integer 0..15>	1,2,8
Name of the CPU pool	<code>var(*LIST).CPU-POOL</code>	S	*STDPOOL <name 1..8>	1,2,8
CPU quota of the VM (integer)	<code>var(*LIST).CPU-QUOTA</code>	I	<integer 1..99>	1,2,8
CPU quota of the VM (exact)	<code>var(*LIST).FINE-CPU-QUOTA</code>	S	<fixed 0.01..99.99>	1,2,8
Effective CPU share of the VM	<code>var(*LIST).EFFECTIVE-CPU-QUOTA</code>	S	<fixed 0.01..100.00>	1,2,8
Maximum CPU utilization of the VM (integer)	<code>var(*LIST).MAX-CPU-UTILIZATION</code>	I	<integer 1..100>	1,2,8
Maximum CPU utilization of the VM (exact)	<code>var(*LIST).FINE-MAX-UTIL</code>	S	<fixed 0.01..100.00>	1,2,8
Maximum CPU utilization of the VM (effective)	<code>var(*LIST).EFFECTIVE-MAX-UTIL</code>	S	<fixed 0.01..100.00>	1,2,8
Name of the VM group	<code>var(*LIST).VM-GROUP</code>	S	*NONE <name 1..8>	1,2,8
Size of VM main memory in Mbytes	<code>var(*LIST).MEM-SIZE</code>	I	<integer 1..1048576>	1,4,8
Minimum size of VM main memory in Mbytes	<code>var(*LIST).MIN-MEM-SIZE</code>	S	*UNDEF <integer 1..1048576>	1,4,8
New main memory size for VM for main memory reconfiguration in Mbytes	<code>var(*LIST).PLANNED-MEM-SIZE</code>	S	*UNDEF <integer 1..1048576>	1,4,8
Is the IO-RESET privilege assigned?	<code>var(*LIST).IO-PRIVIL</code>	B	TRUE / FALSE	1,7,8

Ausgabe-Information	Name der S-Variablen	T	Inhalt	Bedingung
Is the IO-PRIORITY privilege assigned?	var(*LIST).IO-PRIO-PRIVIL	B	TRUE / FALSE	1,7,8
Is the ASSIGN-BY-GUEST privilege assigned for at least one assignment set?	var(*LIST).ASS-BY-GUEST-PRIVIL	B	TRUE / FALSE	1,7,8
Is the AUTO-SNAP-ASSIGNMENT privilege assigned?	var(*LIST).AUTO-SNAP-PRIVIL	B	TRUE / FALSE	1,7,8
Maximum I/O utilization of the VM	var(*LIST).MAX-IO-UTILIZATION	I	<integer 1..100>	1.8
Is the I/O utilization monitored by IOLVM?	var(*LIST).MAX-IO-UTIL-ACTIVE	B	TRUE / FALSE	1.8
Status of VM	var(*LIST).STA	S	*INIT-ONLY / *RUN *WAIT / *DOWN / *SETUP	1.8
Is the VM in the wait state following a global /HOLD-VM from the VM2000 administrator?	var(*LIST).WAIT-GLOBAL	B	TRUE / FALSE	1.8
Is the VM in the wait state following a selective /HOLD-VM from the VM2000 administrator?	var(*LIST).WAIT-SEL	B	TRUE / FALSE	1.8
Is the VM in the wait state following a global /HOLD-VM from the VM administrator?	var(*LIST).WAIT-BY-VM-ADM	B	TRUE / FALSE	1.8
Is the VM in the VM2000-internal wait state?	var(*LIST).WAIT-INTERNAL	B	TRUE / FALSE	1.8
Is a VM administrator connected?	var(*LIST).VM-ADM	B	TRUE / FALSE	1.8
Guest operating system	var(*LIST).GUEST-TYPE	S	BS2-OSD *UNKNOWN	1.8
Version of the guest operating systems	var(*LIST).GUEST-VERSION	S	<c-string 1..8> *UNKNOWN	1.8
Does the VM have the PERSISTENT attribute?	var(*LIST).PERSISTENT	B	TRUE / FALSE	1.8
Is the VM currently being migrated?	var(*LIST).MIGRATING	B	TRUE / FALSE	1.8
Does the VM have a different I/O configuration after the migration	var(*LIST).DIFFERENT-IO-CONF	B	TRUE / FALSE	1.8
Scheduling procedure	var(*LIST).SCHEDULE	S	*NONE *BY-TIMESLICE *DEDICATED-CPUS	2.8
CPU quota (exact) of the VM group if the VM is assigned to a VM group	var(*LIST).VM-GROUP-CPU-QUOTA	S	*NONE <fixed 0.01..99.99>	2.8

Ausgabe-Information	Name der S-Variablen	T	Inhalt	Bedingung
Virtual CPUs of the VM	var(*LIST).VIRT-CPU(*LIST).NUM	S	<x-text 2..2>	2.8
Status of virtual CPUs of VM	var(*LIST).VIRT-CPU(*LIST).STA	S	*RUN / *IDLE / *INIT *WAIT / *HALT / *STOP *BLOCK / *SLEEP *OFFLINE	2.8
Setting for VM-ACTIVE-IDLE	var(*LIST).VM-ACTIVE-IDLE	S	*NO *AT-DEDICATED-CPUS	2.8
Devices of the VM	var(*LIST).UNIT(*LIST).MN	S	<alphanum-name 2..2> <x-text 4..4>	3.8
Who assigned the device to the VM?	var(*LIST).UNIT(*LIST).ASS-BY	S	*VM-ADMIN *GUEST	3.8
Usage mode	var(*LIST).UNIT(*LIST).USAGE	S	*EXCL / *SHARED	3.8
Is the device a virtual console?	var(*LIST).UNIT(*LIST).VC	B	TRUE / FALSE	3.8
Is the device in KEEP mode?	var(*LIST).UNIT(*LIST).KEEP	B	TRUE / FALSE	3.8
Start address of VM main memory in Mbytes	var(*LIST).LOCATION	S	<x-text 1..8> *SPREAD	4.8
Maximum size of the VM's main memory in Mbytes	var(*LIST).MAX-MEM-SIZE	S	<integer 1..1048576> *UNDEF	4.8
Size of the main memory for BS2000 in Mbytes	var(*LIST).BS2-MEM-SIZE	I	<integer 1..1048576>	4.8
Global storage information (obsolete)	var(*LIST).PART-ID	S	*NONE	5.8
	var(*LIST).GS-ATTR	S	*UNDEF	5.8
	var(*LIST).GS-SIZE	I	0	5.8
	var(*LIST).GS-MODE	S	*NONE	5.8
	var(*LIST).GS-STA	S	*NONE	5.8
Monitor job variable for monitoring the VM	var(*LIST).VM-MONJV	S	<name 1..54> / *NONE	6.8
Monitor job variable for monitoring the reconfiguration of the main memory for the VM	var(*LIST).RECONF-MONJV	S	<name 1..54> / *NONE	6.8
Monitor job variable for monitoring the migration for the VM	var(*LIST).MIGR-MONJV	S	<name 1..54> / *NONE	6.8
Command/function scope for VM2000 administrator (monitor VM) and VM administrator	var(*LIST).ADM-PRIVIL	S	*VM2000-MIN / *VM2000-STD / *VM-STD / *VM-MAX	7.8
Specification of the assignment sets for the VM ASSIGN-BY-GUEST=*YES(...)	var(*LIST).ASSIGNMENT-SET-SPEC	S	*NONE / *ALL / *EXCEPT / *LIST	7.8
List of the assignment sets for the VM (only *EXCEPT / *LIST)	var(*LIST).ASSIGNMENT-SET(*LIST)	S	*STDSET / <name 1..8>	7.8

Output format for INFORMATION = *STD*Example*

```

          CPU-POOL(P)
VM-ID    VM-GROUP(G) CPU-Q   MAX-U  PROC   MEM-SIZE  MAX-IO
  2 SYSTEM2 *STDPOOL(P) 30.00 100.00 1(+1)      128  (100)

VM-ID    STATE          VERSION PER ADMIN PRIV
  2 SYSTEM2  RUNNING          V10.0A NO  NO   AG,AS

```

Meaning of the output columns

VM-ID

Identifies the VM by means of VM index and VM name.

CPU-POOL(P)

VM-GROUP(G)

Shows whether the VM is assigned to a VM group. If the VM is not assigned to a VM group, the CPU pool to which the VM is assigned is shown. Whether the VM is assigned to a VM group is indicated by a suffix:

<vm-group-name>(G) The VM is assigned to a VM group; the VM's member CPU quota is displayed under CPU-Q (SU /390).

<cpu-pool-name>(P) The VM is not assigned to a VM group; the CPU quota of the (individual) VM is displayed under CPU-Q.

CPU-Q

CPU quota of the VM as set by means of command. For VMs which belong to a VM group this is the member CPU quota (MEMBER-CPU-QUOTA operand), otherwise the CPU quota of the VM which does not belong to a VM group (CPU-QUOTA operand).

MAX-U

Maximum CPU utilization of the VM as set by means of command (MAX-CPU-UTILIZATION operand).

PROC

Virtual CPUs of the VM in the form *m* or *m(+n)*.

m Number of virtual normal CPUs of the VM (multiprocessor level of the VM)

n Number of virtual spare CPUs of the VM

MEM-SIZE

Current main memory size of the VM in Mbytes.

MAX-IO

Maximum I/O utilization of the VM as set by means of a command (MAX-IO-UTILIZATION operand). If the value is specified in parentheses, this means the VM is currently not being monitored by the IORM function IOLVM, see [page 393](#).

STATE

State of the VM.

If there are overlapping wait states, only the wait state with the highest priority (in the order SEL, GLB, VMA, see [page 163](#)) is displayed.

INIT-ONLY	The VM is initialized (after VM initialization (see page 135), after /RESET-VM or /ACTIVATE-VM-DEFINITION AUTO-IPL=*NO), but no guest system has been started yet
RUNNING	The guest system on the VM has been started and is running
WAIT(...)	The VM is in the wait state; the guest system is at rest (cause)
WAIT(GLB)	Global HOLD (/HOLD-VM *ALL) of the VM2000 administrator
WAIT(INT)	Internal wait state of the VM, e.g. during /MOVE-VM
WAIT(SEL)	Selective HOLD (/HOLD-VM VM-ID=2..n) of the VM2000 administrator
WAIT(VMA)	/HOLD-VM of the VM administrator for his VM
DOWN	The guest system on the VM is terminated (after shutdown or SETS in the guest system)

A VM that is currently being migrated has the following statuses:

- on the source SU:
the current status of the VM, complemented by (MIGR), e.g. RUNNING(MIGR)
- on the target SU:
state SETUP(MIGR)

If the I/O configuration on the target SU is different from the I/O configuration on the source SU, the current state of the migrated VM is output on the target SU, complemented by (DIFF), e.g. RUNNING(DIFF)

VERSION

Version of the BS2000 operating system in the guest system in the form Vnn.na. If the version is not (yet) known, blanks are displayed here.

PER

Displays whether the VM has the PERSISTENT attribute (YES/NO).

ADMIN

Indicates if a VM administrator is connected to the virtual machine (YES/NO).

PRIV

Privileges of the VM (AG=ASSIGN-BY-GUEST / IO-R=IO-RESET / AS=AUTO-SNAP-ASSIGNMENT / IO-P=IO-PRIORITY).

Output format for INFORMATION = *CPU*Example*

```
VM-ID          CPU-POOL  GR-CPU-Q  CPU-Q/ EFF-Q  MAX-U/ EFF-U  PROC
 2 SYSTEM2    *STDPool          30.00/ 25.00 100.00/ 25.00 1(+1)
```

```
VM-ID          SCHED ACT-I  VIRT CPUS
 2 SYSTEM2     DC      NO      00(RUN),01(SLEEP)
```

Meaning of the output columns

VM-ID / PROC

Corresponds to INFORMATION=*STD.

CPU-POOL

Shows the CPU pool to which the VM is assigned.

GR-CPU-Q

Shows whether the VM is assigned to a VM group.

If the VM is assigned to a VM group, the CPU quota of the VM group is displayed here, and the member CPU quota of the VM under CPU-Q.

If the VM is not assigned to a VM group, blanks are displayed here, and the CPU quota of the (individual) VM under CPU-Q.

CPU-Q/EFF-Q

CPU quota of the VM in the format <cpu-quota> / <effective-cpu-quota>, where:

<cpu-quota> **CPU quota of the VM as set by means of command. For VMs which belong to a VM group this is the member CPU quota (MEMBER-CPU-QUOTA operand), otherwise the CPU quota of the VM which does not belong to a VM group (CPU-QUOTA operand).**

<effective-cpu-quota> **Effective CPU share of the VM, calculated by VM2000. Values < 0.01 are rounded up to 0.01.**

MAX-U/EFF-U

Maximum CPU utilization of the VM in the format <max-cpu-util> / <effective-max-cpu-util>, where:

<max-cpu-util> **Maximum CPU utilization set by means of command (MAX-CPU-UTILIZATION operand) for the VM.**

<effective-max-cpu-util> **Effective maximum CPU utilization of the VM, calculated by VM2000.**

SCHED

Scheduling procedure:

- There are no virtual CPUs in the scheduling procedure
- DC Fixed CPU assignment (dedicated CPUs)
- TS Time slicing

ACT-I

Setting for controlling the real CPU in the case of fixed CPU assignment:

- NO The real CPU is removed from the VM if the VM's virtual CPU which runs on this is inactive (interruptible wait state, "Idle").
- AT-DC The VM retains control over the real CPU even if the VM's virtual CPU which runs on this is inactive (interruptible wait state, "Idle", SU /390).

VIRT CPUS

Virtual normal and spare CPUs of the VM in the format <cpu-id>(<vstate>),....

<cpu-id> CPU identifier.

<vstate> State of the virtual CPU, see [page 260](#)

(RUN / IDLE / INIT / WAIT / STOP / HALT / BLOCK / SLEEP / OFF).

Output format for INFORMATION = *UNITS

Example

```

VM-ID          UNITS
 2 SYSTEM2    ASSIGNED BY VM-ADMIN
              EXCL:  CH,CI,FC1A,FC1B
              ASSIGNED BY GUEST
              EXCL:  CC42,CC43
              SHARED: 990F,FC1C,FC1D

```

Meaning of the output columns

VM-ID

Identifies the VM by means of VM index and VM name.

UNITS

Mnemonic device names in blocks:

first the explicitly assigned devices (ASSIGNED BY VM-ADMIN), then the implicitly assigned devices (ASSIGNED BY GUEST). The output is grouped in accordance with the usage mode (EXCL/SHARED/KEEP). Empty blocks or groups are omitted.

The device list is arranged within a group in ascending order of the value range (two- or four-digit). The two-digit device names are output first, followed by the four-digit device names.

[390] The suffix (VC) identifies a virtual console (see [page 114](#)).

Output format for INFORMATION = *GS

The operand value *GS is obsolete. NO GS AVAILABLE is always output.

Output format for INFORMATION = *MEMORY

Example (SU /390)

VM-ID	LOC-BEGIN	MEM-SIZE	MIN-MEM-S	MAX-MEM-S	DEST-MEM-S
2 SYSTEM2	00000210	128	128		

Example (SU x86)

VM-ID	BS2-MEM-S	MEM-SIZE	MIN-MEM-S	MAX-MEM-S	DEST-MEM-S
2 SYSTEM2	35420	36000	8192	65000	

Meaning of the output columns

VM-ID

Identifies the VM by means of VM index and VM name.

LOC-BEGIN (SU /390 only)

Start address of the main memory area in Mbytes (hexadecimal digits).

BS2-MEM-S (SU x86 only)

Size of the main memory (without the VM's firmware component) which is available for BS2000 in Mbytes.

MEM-SIZE

Size of the VM's main memory in Mbytes.

MIN-MEM-S

Minimum size of the VM's main memory in Mbytes (for main memory reconfiguration).

MAX-MEM-S

Maximum size of the VM's main memory in Mbytes (SU x86 for main memory reconfiguration). No output for SU /390.

DEST-MEM-S

Planned size of the VM's main memory in Mbytes when main memory reconfiguration is in progress.

Output format for INFORMATION = *MONJV*Examples*

```
VM-ID          VM-MONJV
 2 SYSTEM2     :4IVZ:$TSOS.JV-SYS2

VM-ID          RECONF-MONJV
 2 SYSTEM2     :4IVZ:$TSOS.JV-S2REC

VM-ID          MIGR-MONJV
 2 SYSTEM2     :4IVZ:$TSOS.JV-S2MIG
```

Meaning of the output columns

VM-ID

Identifies the VM by means of VM index and VM name.

VM-MONJV

File name of the MONJV for the VM.

NO VM-MONJV ASSIGNED No MONJV is defined for the MONJV.

RECONF-MONJV

File name of the MONJV for the main memory reconfiguration. If no reconfiguration of the main memory is in progress or no MONJV has been defined for this, this output block is not output.

MIGR-MONJV

File name of the MONJV for the VM Migration. If no VM Migration is in progress or no MONJV has been defined for this, this output block is not output.

Output format for INFORMATION = *PRIVILEGES*Example*

```

VM-ID      PRIV    DETAILS
 2 SYSTEM2 AG      SYS2IMPL
           AS

```

Meaning of the output columns

VM-ID

Identifies the VM by means of VM index and VM name.

PRIV

Privileges of the VM.

NO PRIVILEGE

No privileges.

ADM

Command/function scope for VM2000 administrator (monitor VM) or VM administrator, see DETAILS.

AG

The VM has the ASSIGN-BY-GUEST privilege. The list of the assignment sets assigned is output in DETAILS.

AS

AUTO-SNAP-ASSIGNMENT=*YES (default).

IO-P

IO-PRIORITY=*YES.

IO-R

IO-RESET=*YES.

DETAILS

Supplementary information on the privileges:

For PRIV=ADM

*VM2000-MIN ADMIN-PRIVILEGES=*MIN for the monitor VM

*VM-MAX ADMIN-PRIVILEGES=*MAX for a VM other than the monitor VM

┆

Standard command/function scope

For PRIV=AG

*ALL ASSIGN-BY-GUEST=*YES(SET-NAME=*ALL)

*EXCEPT: set1, set2, ...

ASSIGN-BY-GUEST=*YES(SET-NAME=*EXCEPT(...))

set1, set2, ...

ASSIGN-BY-GUEST=*YES(SET-NAME=<list>)

Example (SU /390)

```

/show-vm-attributes information=*all _____ (1)
      CPU-POOL(P)
VM-ID      VM-GROUP(G) CPU-Q    MAX-U  PROC    MEM-SIZE  MAX-IO
 2 SYSTEM2 *STDPOOL(P) 30.00  100.00 1(+1)    128  (100) _____ (2)

VM-ID      STATE          VERSION PER ADMIN PRIV
 2 SYSTEM2 RUNNING          V10.0A NO  NO    AG,AS _____ (3)

VM-ID      CPU-POOL  GR-CPU-Q  CPU-Q/  EFF-Q  MAX-U/  EFF-U  PROC
 2 SYSTEM2 *STDPOOL          30.00/ 25.00 100.00/ 25.00 1(+1)

VM-ID      SCHED ACT-I  VIRT CPUS
 2 SYSTEM2 DC    NO    00(RUN),01(SLEEP) _____ (4)

VM-ID      VM-MONJV
 2 SYSTEM2 NO VM-MONJV ASSIGNED _____ (5)

VM-ID      UNITS
 2 SYSTEM2 ASSIGNED BY VM-ADMIN _____ (6)
      EXCL:  CH,CI,FC1A,FC1B
      ASSIGNED BY GUEST
      EXCL:  CC42,CC43
      SHARED: 990F,FC1C,FC1D

VM-ID      PARTITION-ID ATTR    GS-SIZE  MODE  STATUS
 2 SYSTEM2 NO GS AVAILABLE

VM-ID      LOC-BEGIN  MEM-SIZE  MIN-MEM-S  MAX-MEM-S  DEST-MEM-S
 2 SYSTEM2 00000210    128        128 _____ (7)

VM-ID      PRIV    DETAILS
 2 SYSTEM2 AG    SYS2IMPL _____ (8)
      AS

```

- (1) The VM administrator queries the attributes and status of his/her VM.
- (2) VM SYSTEM2 is a monoprocessor VM (one virtual normal CPU) with a virtual spare CPU. The main memory size of the VM is 128 Mbytes. The VM belongs to the standard CPU pool.
- (3) The VM is in the RUNNING state. The guest system has reached SYSTEM READY, the BS200 version is output. The VM is not persistent. No VM administrator is connected. The VM has the ASSIGN-BY-GUEST and AUTO-SNAP-ASSIGNMENT (default) privileges.

- (4) The VM is currently running with fixed CPU assignment (SCHED DC).
The real CPU is switched from the VM if the VM's virtual CPU 00 which runs on it is inactive (ACT-I: NO).
The virtual normal CPU 00 of the VM is running. The virtual spare CPU 01 is in a wait state in order to be able to take on the job of the virtual normal CPU in the event of the latter's failure.
- (5) No MONJV is assigned to the VM.
- (6) List of mnemonic device names assigned to the VM.
- (7) The start address of the main memory of the VM is X'210' Mbytes, its size 128 Mbytes.
- (8) The privileges of the VM.

SHOW-VM-CPU-POOL

Output attributes of a CPU pool

/SHOW-VM-CPU-POOL is used to output the attributes of CPU pools.

The command provides the following information:

- Name of the CPU pool as defined with /CREATE-VM-CPU-POOL
- The scheduling procedure
- The CPUs in the CPU pool and their status
- The VMs assigned to the CPU pool and their multiprocessor level
- On SU x86: the static CPU pools *POOL0 and *FOREIGN, see [page 37](#)

This command is reserved for the VM2000 administrator.

SHOW-VM-CPU-POOL

```

CPU-POOL-NAME = *ALL / *STDPOOL / <name 1..8> / *BY-CPU-IDENTIFICATION(...) /
                *BY-VM-IDENTIFICATION(...) / *BY-VM-GROUP(...)

*BY-CPU-IDENTIFICATION(...)
|   CPU-IDENTIFICATION = <x-text 1..2>

*BY-VM-IDENTIFICATION(...)
|   VM-IDENTIFICATION = <integer 1..99> / <name 1..8>

*BY-VM-GROUP(...)
|   VM-GROUP-NAME = <name 1..8>

,INFORMATION = *CPU / *VM / *SUMMARY / *ALL

```

CPU-POOL-NAME =

Determines the CPU pool about which information is to be output.

CPU-POOL-NAME = *ALL

Information about all CPU pools is to be output.

CPU-POOL-NAME = *STDPOOL / <name 1..8>

Name of the CPU pool.

CPU-POOL-NAME = *BY-CPU-IDENTIFICATION(...)

Determines the CPU pool by specifying a CPU contained in the CPU pool.

CPU-IDENTIFICATION = <x-text 1..2>

CPU identifier.

CPU-POOL-NAME = *BY-VM-IDENTIFICATION(...)

Determines the CPU pool by specifying a VM which is assigned to the CPU pool.

VM-IDENTIFICATION = <integer 1..99> / <name 1..8>

Identifies the virtual machine by means of a VM index or VM name.

CPU-POOL-NAME = *BY-VM-GROUP(...)

Determines the CPU pool by specifying a VM group which is assigned to the CPU pool (SU /390).

VM-GROUP-NAME = <name 1..8>

Name of the VM group.

INFORMATION =

Specifies the output information.

INFORMATION = *CPU

Only information about CPUs contained in the CPU pool.

INFORMATION = *VM

Only information about the virtual machines assigned to the CPU pool.

INFORMATION = *SUMMARY

Summary of the information for *CPU and *VM.

INFORMATION = *ALL

All the information contained in the outputs *CPU and *VM.

Command return code, see also [page 431](#)

(SC2)	SC1	Maincode	Bedeutung
	0	CMD0001	Command successfully executed
	64	VMS3002	Invalid operand value (CPU-IDENTIFICATION)
	64	VMS4000	VM not yet created
	64	VMS4043	CPU not known in system
	64	VMS4400	VM group not yet created
	64	VMS4600	CPU pool not yet created
	64	VMS9004	Functionality not supported on current HSI or with current parameter assignment

Output in S variables (in user task)

The `INFORMATION` operand of the command is used to specify which S variables are to be supplied with values. The following can be specified for `INFORMATION`:

Notation of command	Abbreviated form used in table
INFORMATION = *CPU	1
INFORMATION = *VM	2
INFORMATION = *SUMMARY	3
INFORMATION = *ALL	4

Ausgabe-Information	Name der S-Variablen	T	Inhalt	Bedingung
Name of the CPU pool	var(*LIST).CPU-POOL	S	*STDPPOOL / *POOL0 *FOREIGN / <name 1..8>	1,2,3,4
Scheduling procedure	var(*LIST).SCHEDULE	S	*NONE *BY-TIMESLICE *DEDICATED-CPUS	1,2,3,4
Number of assigned real normal CPUs	var(*LIST).NUM-OF-NORMAL-CPUS.ALL	I	<integer 0..64>	1,3,4
Number of assigned real extra CPUs	var(*LIST).NUM-OF-EXTRA-CPUS.ALL	I	<integer 0..63>	1,3,4
Real CPUs in the CPU pool	var(*LIST).REAL-CPU(*LIST).ID	S	<x-text 2..2>	1,4
Status of real CPUs in the CPU pool	var(*LIST).REAL-CPU(*LIST).STA	S	*ATT / *DET / *ERR / *OFFLINE *WAIT-FOR-MAINT	1,4
Type of real CPUs in the CPU pool	var(*LIST).REAL-CPU(*LIST).ATTR	S	*NORMAL / *EXTRA *FOREIGN	1,4
Number of assigned real foreign CPUs	var(*LIST).NUM-OF-FOREIGN-CPUS.ALL	I	<integer 0..63>	1,4
Number of VMs assigned to the CPU pool	var(*LIST).NUM-OF-VMS	I	<integer 0..99>	2,3,4
Index of the VM which is assigned to the CPU pool	var(*LIST).VM(*LIST).VM-INDEX	I	<integer 1..99>	2,4
Name of the VM which is assigned to the CPU pool	var(*LIST).VM(*LIST).VM-NAME	S	<name 1..8>	2,4
Name of the VM group which is assigned to the CPU pool	var(*LIST).VM(*LIST).VM-GROUP	S	*NONE <name 1..8>	2,4
Number of attached virtual CPUs of the VM which is assigned to the CPU pool	var(*LIST).VM(*LIST).NUM-OF-ATT-CPUS	I	<integer 0..32>	2,4
Multiprocessor level of the VM which is assigned to the CPU pool	var(*LIST).VM(*LIST).NUM-OF-CPUS	I	<integer 1..32>	2,4

Ausgabe-Information	Name der S-Variablen	T	Inhalt	Bedingung
Number of spare CPUs of the VM which is assigned to the CPU pool	var(*LIST).VM(*LIST).NUM-OF-SPARE-CPUS	I	<integer 0..15>	2.4
Number of assigned real normal CPUs (attached)	var(*LIST).NUM-OF-NORMAL-CPUS.ATT	I	<integer 0..64>	3
Number of assigned real normal CPUs (detached)	var(*LIST).NUM-OF-NORMAL-CPUS.DET	I	<integer 0..63>	3
Number of assigned real normal CPUs (offline)	var(*LIST).NUM-OF-NORMAL-CPUS.OFFLINE	I	<integer 0..63>	3
Number of assigned real extra CPUs (attached)	var(*LIST).NUM-OF-EXTRA-CPUS.ATT	I	<integer 0..63>	3
Number of assigned real extra CPUs (detached)	var(*LIST).NUM-OF-EXTRA-CPUS.DET	I	<integer 0..63>	3
Number of assigned real extra CPUs (offline)	var(*LIST).NUM-OF-EXTRA-CPUS.OFFLINE	I	<integer 0..63>	3
Total number of active virtual CPUs of the VMs assigned to the CPU pool	var(*LIST).NUM-OF-RUN-VIRT-CPUS	I	<integer 0..3168>	3

Output format for INFORMATION = *CPU*Example*

```

CPU-POOL SCHED CPU-ATTR REAL CPUS
*STDPOOL  DC  NORMAL  00(ATT),01(ATT)
           EXTRA  04(DET)
PCUST1    TS  NORMAL  02(ATT),03(ATT)
           EXTRA  NONE

```

Meaning of the output columns

CPU-POOL

Identifies the CPU pool by means of its name.

- *STDPOOL Standard CPU pool
- *POOL0 CPU pool of domain 0 (SU x86)
- *FOREIGN Foreign pool of the XenVMs (SU x86)

SCHED

Scheduling procedure:

- There are no virtual CPUs in the scheduling procedure
- DC Fixed CPU assignment (dedicated CPUs)
- TS Time slicing

CPU-ATTR

Type of CPU (NORMAL / EXTRA / FOREIGN).

REAL CPUS

CPU identification and status in the format <cpu-id>(<rstate>),

- <cpu-id> CPU identifier.
- <rstate> Status of the real CPU, see [page 258](#)
(ATT / DET / WFM / ERR / OFF).

NONE No CPU of this type belongs to the CPU pool.

Output format for INFORMATION = *VM*Example*

CPU-POOL	SCHED	VM-ID	VM-GROUP	ATT	PROC
PCUST1	TS	2 C1SYS1		2	4(+1)
		3 C1SYS2		2	2(+1)

Meaning of the output columns

CPU-POOL
SCHED

Corresponds to INFORMATION=*CPU.

VM-ID

Identifies a VM which is assigned to the CPU pool by means of VM index and VM name.
NONE No VM has been assigned to the CPU pool.

VM-GROUP

Name of the VM group if the VM is assigned to a VM group.
└ The VM is not assigned to a VM group.

ATT

Number of attached virtual CPUs of the VM which is assigned to the CPU pool.

PROC

Virtual CPUs of the VM which is assigned to the CPU pool in the form m or $m(+n)$.
 m Number of virtual normal CPUs of the VM (multiprocessor level of the VM).
 n Number of virtual spare CPUs of the VM.

Output format for INFORMATION = *SUMMARY*Example*

```
CPU-POOL SCHED REAL-NORMAL-CPUS REAL-EXTRA-CPUS VIRT-CPUS
          ALL ATT DET OFF  ALL ATT DET OFF  RUN
PCUST1   TS    2  2  0  0    0  0  0  0    4
```

Meaning of the output columns

```
CPU-POOL
SCHED
```

Corresponds to INFORMATION=*CPU.

```
REAL-NORMAL-CPUS
ALL ATT DET OFF
```

Number of all / attached / detached / offline real normal CPUs of the CPU pool.

```
REAL-EXTRA-CPUS
ALL ATT DET OFF
```

Number of all / attached / detached / offline real extra CPUs of the CPU pool.

```
VIRT-CPUS
RUN
```

Total number of active virtual CPUs in the CPU pool.

Example

```
/show-vm-cpu-pool cpu-pool-name=pcust1,information=*all
```

```
CPU-POOL SCHED CPU-ATTR REAL CPUS
PCUST1   TS  NORMAL  02(ATT),03(ATT)
          EXTRA   NONE
```

```
CPU-POOL SCHED VM-ID      VM-GROUP ATT PROC
PCUST1   TS    2 C1SYS1          2  4(+1)
          3 C1SYS2          2  2(+1)
```

See also the detailed [“Example of managing CPU pools” on page 278.](#)

SHOW-VM-DEFINITION

Output attributes of a VM definition

/SHOW-VM-DEFINITION is used to display the attributes, resources and devices entered for a VM in the VM definition, as well as information on the automatic startup of the guest system on the VM.

The command provides the following information:

- Attributes entered for the VM in its VM definition
- Displays whether the VM definition is active, i.e. the VM is initialized
- Displays whether the high-availability (HA) attribute is reserved for the VM
- Settings for the CPU management of the VM
- Settings for the main memory of the VM
- Settings for the privileges of the VM
- Settings for automatic startup of the guest system on the VM when the VM definition is next activated
- Devices that are assigned to the VM that has already been initialized or that are to be assigned to the VM when it is activated.

This command is reserved for the VM2000 administrator. It can also be entered for initialized VMs.

SHOW-VM-DEFINITION
VM-NAME = <u>*ALL</u> / <name 1..8 with-wild(20)>
,INFORMATION = <u>*STD</u> / *CPU / *MEMORY / *PRIVILEGES / *IPL / *UNITS / *ALL

VM-NAME =

Determines the VM definitions whose contents are to be output.

VM-NAME = *ALL

The contents of all VM definitions are output.

VM-NAME = <name 1..8 with-wild(20)>

The contents of all VM definitions whose VM name matches the specified pattern are output.

INFORMATION =

Specifies the output information.

INFORMATION = *STD

Only the entered attributes of the VM.

INFORMATION = *CPU

Only the settings for the CPU management of the VM.

INFORMATION = *MEMORY

Only the settings for the main memory of the VM.

INFORMATION = *PRIVILEGES

Only the settings for the privileges of the VM.

INFORMATION = *IPL

Only the settings for automatic startup of the guest system on the VM when the VM definition is next activated.

INFORMATION = *UNITS

Only the devices which are assigned to the VM which has already been initialized or are to be assigned to the VM when it is activated.

INFORMATION = *ALL

All the information of all outputs.

Command return code, see also [page 431](#)

(SC2)	SC1	Maincode	Bedeutung
	0	CMD0001	Command successfully executed
2	0	VMS2312	No VM definition with appropriate name found
	64	VMS2300	VM definition not available
	64	VMS2303	VM definition cannot be accessed
	64	VMS2332	Storage for VM definitions cannot be reached (SU /390)

Output in S variables (in user task)

The `INFORMATION` operand of the command is used to specify which S variables are to be supplied with values. The following can be specified for `INFORMATION`:

Notation of command	Abbreviated form used in table
<code>INFORMATION = *STD</code>	1
<code>INFORMATION = *CPU</code>	2
<code>INFORMATION = *MEMORY</code>	3
<code>INFORMATION = *PRIVILEGES</code>	4
<code>INFORMATION = *IPL</code>	5
<code>INFORMATION = *UNITS</code>	6
<code>INFORMATION = *ALL</code>	7

Ausgabe-Information	Name der S-Variablen	T	Inhalt	Bedingung
Name of VM	<code>var(*LIST).VM-NAME</code>	S	<name 1..8>	1 - 7
Index of VM (0 = *ANY)	<code>var(*LIST).VM-INDEX</code>	I	<integer 0..99>	1 - 7
Is the VM definition active (i.e. is the VM initialized)?	<code>var(*LIST).ACTIVE</code>	B	TRUE / FALSE	1 - 7
Does the VM have the PERSISTENT attribute?	<code>var(*LIST).PERSISTENT</code>	B	TRUE / FALSE	1, 7
Is it a highly available VM?	<code>var(*LIST).HA</code>	B	TRUE / FALSE	1, 7
Maximum I/O utilization	<code>var(*LIST).MAX-IO-UTILIZATION</code>	I	<integer 1..100>	1, 7
Multiprocessor level (type of specification)	<code>var(*LIST).NUM-OF-CPUS-SPEC</code>	S	*BY-NUMBER *MAXIMUM *EXTRA-AND- NORMAL	1, 2, 7
multiprocessor level	<code>var(*LIST).NUM-OF-CPUS</code>	I	<integer 1..32>	1, 2, 7
Name of the CPU pool	<code>var(*LIST).CPU-POOL</code>	S	*BY-VM-GROUP *STDPOOL <name 1..8>	1, 2, 7
Name of the VM group	<code>var(*LIST).VM-GROUP</code>	S	*NONE <name 1..8>	1, 2, 7
Value of the CPU quota	<code>var(*LIST).FINE-CPU-QUOTA</code>	S	<fixed 0.01..99.99>	2, 7
Maximum CPU utilization	<code>var(*LIST).FINE-MAX-UTIL</code>	S	<fixed 0.01..100.00>	2, 7
Setting for VM-ACTIVE-IDLE	<code>var(*LIST).VM-ACTIVE-IDLE</code>	S	*NO *AT-DEDICATED- CPUS	2, 7
Size of the main memory in Mbytes	<code>var(*LIST).MEM-SIZE</code>	S	<integer 1..1048576>	1, 3, 7
Minimum size of the main memory in Mbytes	<code>var(*LIST).MIN-MEM-SIZE</code>	S	<integer 1..1048576> *UNDEF	3, 7
Maximum size of the main memory in Mbytes	<code>var(*LIST).MAX-MEM-SIZE</code>	S	<integer 1..1048576> *UNDEF	3, 7

Ausgabe-Information	Name der S-Variablen	T	Inhalt	Bedingung
Functional scope for the VM administrator	var(*LIST).ADM-PRIVIL	S	*STD / *MIN / *MAX	4, 7
Is the IO-RESET privilege assigned?	var(*LIST).IO-PRIVIL	B	TRUE / FALSE	4, 7
Is the IO-PRIORITY privilege assigned?	var(*LIST).IO-PRIO-PRIVIL	B	TRUE / FALSE	4, 7
Is the AUTO-SNAP-ASSIGNMENT privilege assigned?	var(*LIST).AUTO-SNAP-PRIVIL	B	TRUE / FALSE	4, 7
Is the ASSIGN-BY-GUEST privilege assigned for at least one assignment set?	var(*LIST).ASS-BY-GUEST-PRIVIL	B	TRUE / FALSE	4, 7
Specification of the assignment sets	var(*LIST).ASSIGNMENT-SET-SPEC	S	*NONE / *ALL *EXCEPT / *LIST	4, 7
List of the assignment sets (only for *EXCEPT and *LIST)	var(*LIST).ASSIGNMENT-SET(*LIST)	S	*STDSET / <name 1..8>	4, 7
Is the guest system on the VM to be started automatically when the VM definition is activated?	var(*LIST).AUTO-IPL-PAR.EFFECTIVE	B	TRUE / FALSE	5, 7
Mnemonic name of the IPL device for the automatic start	var(*LIST).AUTO-IPL-PAR.IPL-UNIT	S	<alphanum-name 2..2> <x-text 4..4> *NONE	5, 7
Mnemonic name of the KVP output device for the automatic start	var(*LIST).AUTO-IPL-PAR.CONSOLE-OUT	S	<alphanum-name 2..2> *NONE	5, 7
Mode for the automatic start	var(*LIST).AUTO-IPL-PAR.MODE	S	*AUTOMATIC *FAST / *NONE	5, 7
System name for the automatic start	var(*LIST).AUTO-IPL-PAR.SYS-NAME	S	<name 1..8> *NONE	5, 7
Do the parameters of the last IPL exist?	var(*LIST).LAST-IPL	B	TRUE / FALSE	5, 7
Are the parameters of the last IPL effective?	var(*LIST).LAST-IPL-PAR.EFFECTIVE	B	TRUE / FALSE	5, 7
Mnemonic name of the IPL device at the last IPL	var(*LIST).LAST-IPL-PAR.IPL-UNIT	S	<alphanum-name 2..2> <x-text 4..4> *NONE	5, 7
Mnemonic name of the KVP output device or of the virtual console at the last IPL	var(*LIST).LAST-IPL-PAR.CONSOLE-OUT	S	<alphanum-name 2..2> *NONE	5, 7
IPL mode at the last IPL	var(*LIST).LAST-IPL-PAR.MODE	S	*AUTOMATIC *DIALOG / *FAST *NONE	5, 7
System name at the last IPL	var(*LIST).LAST-IPL-PAR.SYS-NAME	S	<name 1..8> *NONE	5, 7

Ausgabe-Information	Name der S-Variablen	T	Inhalt	Bedingung
Number of device assignments	var(*LIST).NUM-OF-UNITS	I	<integer 0..32767>	6, 7
Devices of the VM	var(*LIST).UNIT(*LIST).MN	S	<alphanum-name 2..2> <x-text 4..4>	6, 7
Responsible for the device assignment ¹	var(*LIST).UNIT(*LIST).ASS-BY	S	*VM-ADMIN / *GUEST	6, 7
Assignment as pubset device?	var(*LIST).UNIT(*LIST).ASS-VIA-PUBSET	B	TRUE / FALSE	6, 7
Assignment as pubres device?	var(*LIST).UNIT(*LIST).PUBRES-FOR-ASS	B	TRUE / FALSE	6, 7
Usage mode of the device	var(*LIST).UNIT(*LIST).USAGE	S	*EXCL / *SHARED	6, 7
Is the device a virtual console?	var(*LIST).UNIT(*LIST).VC	B	TRUE / FALSE	6, 7

¹ When the VM definition is not active, only the envisaged, explicit assignments by the VM2000 administrator (*VM-ADMIN) are displayed.

Output format for INFORMATION = *STD*Example*

VM-ID	ACT	PER	HA	CPU-POOL(P) VM-GROUP(G)	PROC	MEM-SIZE	MAX-IO
5 G4IVJ	YES	NO	NO	*STDPPOOL(P)	2	512	100

Meaning of the output columns

VM-ID

Identifies the VM by means of VM index and VM name.

If the index *ANY is entered in the VM definition of a persistent VM, a hyphen (-) is output.

ACT

Displays whether the VM definition is active, i.e. whether the VM is initialized (YES/NO).

PER

Displays whether the VM has the PERSISTENT attribute (YES/NO).

HA

Displays whether the VM has the high-availability (HA) attribute (YES/NO).

CPU-POOL(P)

VM-GROUP(G)

Displays the assignment to a VM group. If the VM is not assigned or is not to be assigned to a VM group, the CPU pool to which the VM is assigned or is to be assigned is shown. Whether the VM is assigned or is to be assigned to a VM group is indicated by a suffix:

<vm-group-name>(G) The VM is assigned to a VM group or is to be assigned to a VM group. Under CPU-Q the member CPU quota of the VM is output (SU /390).

<cpu-pool-name>(P) The VM is not assigned to any VM group, or is not to be assigned to any VM group. Under CPU-Q the CPU quota of the (individual) VM is output.

PROC

Entered virtual CPUs of the VM in the form:

m Number of virtual normal CPUs of the VM (multiprocessor level of the VM)

m(M) Number of real normal CPUs which are available on the Server Unit for VM2000 operation. The VM was or will be created with PROCESSOR=*MAXIMUM.

m(E) Number of real normal and extra CPUs which are available on the Server Unit for VM2000 operation. The VM was or will be created with PROCESSOR=*EXTRA-AND-NORMAL.

MEM-SIZE

Entered main memory size of the VM in Mbytes.

MAX-IO

Entered maximum I/O utilization of the VM.

Output format for INFORMATION = *CPU

Example

VM-ID	ACT	CPU-POOL(P)	VM-GROUP(G)	CPU-Q	MAX-U	PROC	ACT-I
5	G4IVJ	YES	*STDP00L(P)	70.00	100.00	2	NO

Meaning of the output columns

VM-ID / ACT / CPU-POOL(P) VM-GROUP(G) / PROC

Corresponds to INFORMATION=*STD.

CPU-Q

Entered CPU quota of the VM.

MAX-U

Entered maximum CPU utilization of the VM.

ACT-I

Entered setting for controlling the real CPU in the case of fixed CPU assignment:

NO The real CPU is removed from the VM if the VM's virtual CPU which runs on this is inactive (interruptible wait state, "Idle").

AT-DC The VM retains control over the real CPU even if the VM's virtual CPU which runs on this is inactive (interruptible wait state, "Idle", SU /390).

Output format for INFORMATION = *MEMORY*Example*

VM-ID	ACT	MEM-SIZE	MIN-MEM-S	MAX-MEM-S
5 G4IVJ	YES	512	512	

Meaning of the output columns

VM-ID / ACT

Corresponds to INFORMATION=*STD.

MEM-SIZE

Entered main memory size of the VM in Mbytes.

MIN-MEM-S

Entered minimum size of the VM's main memory in Mbytes (for main memory reconfiguration).

MAX-MEM-S

Entered maximum size of the VM's main memory in Mbytes (SU x86 for main memory reconfiguration). No output for SU /390.

Output format for INFORMATION = *PRIVILEGES*Example*

```
VM-ID      ACT PRIV  DETAILS
 5 G4IVJ   YES AS
```

Meaning of the output columns

VM-ID / ACT

Corresponds to INFORMATION=*STD.

PRIV

Entered privileges of the VM.

NO PRIVILEGE

No privileges.

ADM **Command/function scope for VM2000 administrator (monitor VM) or VM administrator, see** DETAILS.

AG **The VM has the ASSIGN-BY-GUEST privilege. The list of the assignment sets assigned is output in** DETAILS.

AS **AUTO-SNAP-ASSIGNMENT=*YES (default).**

IO-P **IO-PRIORITY=*YES.**

IO-R **IO-RESET=*YES.**

DETAILS

Supplementary information on the privileges:

For PRIV=ADM

*VM2000-MIN **ADMIN-PRIVILEGES=*MIN for the monitor VM**

*VM-MAX **ADMIN-PRIVILEGES=*MAX for a VM other than the monitor VM**

┆ **Standard command/function scope**

For PRIV=AG

*ALL **ASSIGN-BY-GUEST=*YES(SET-NAME=*ALL)**

*EXCEPT: set1, set2, ...

ASSIGN-BY-GUEST=*YES(SET-NAME=*EXCEPT(...))

set1, set2, ...

ASSIGN-BY-GUEST=*YES(SET-NAME=<list>)

Output format for INFORMATION = *IPL*Example*

```

VM-ID          ACT TYPE EFF IPL-U IPL-C MODE   SYSNAME
 5 G4IVJ       YES AUTO NO
                LAST YES FC17  CC     FAST

```

Meaning of the output columns

VM-ID / ACT

Corresponds to INFORMATION=*STD.

TYPE

Type of subsequent IPL parameters.

AUTO The IPL parameters specified using a command are displayed (AUTO-IPL parameters).

LAST If there are any, the IPL parameters are displayed with which the VM was most recently started.

EFF

Shows whether the IPL parameters are effective (YES / NO).



Notes on the meaning of the values in the output columns TYPE and EFF.

- A VM definition can contain both IPL parameters for TYPE=AUTO and for TYPE=LAST. EFF shows which entries are currently effective.
- After a VM has been initialized with /CREATE-VM, EFF=NO always applies for TYPE=AUTO.
- When a persistent VM definition is created using /CREATE-VM-DEFINITION, the values for TYPE=AUTO depend on the specifications in the AUTO-IPL=*YES/*NO parameter.
- The line with TYPE=LAST is displayed only after the first successful start of the guest system.
- The combination TYPE=AUTO and EFF=YES shows that the guest system on the persistent VM will automatically be started with the IPL parameters displayed the next time its VM definition is activated.
- With the combination TYPE=AUTO and EFF=NO IPL parameters can already be entered in the VM definition for an automatic startup (by an earlier command with AUTO-IPL=*YES). However, they are currently deactivated (by a separate command with AUTO-IPL=*NO). In this case the guest system is not started automatically the next time the VM definition is activated.

- The values of the IPL parameters for TYPE=AUTO which are entered in the VM definition can be modified with /MODIFY-VM-ATTRIBUTES (VM definition active) or /MODIFY-VM-DEFINITION (VM definition not active) using the PERSISTENT=*YES(AUTO-IPL=*YES(...)/*NO) or PERSISTENT=*NO parameter.
- With TYPE=LAST the value for EFF cannot be controlled directly by the VM2000 administrator. In this case the IPL parameters become effective through a successful start of the guest system (EFF=YES). They become ineffective through a normal shutdown of the guest system (EFF=NO).

IPL-U

Mnemonic device name of the disk device used for the initial program loading (IPL) of the guest system.

IPL-C

Mnemonic device name of the KVP output device or of the virtual console (only with TYPE=LAST on SU /390).

MODE

Type of system initialization (AUTO / FAST / DIALOG).

SYSNAME

System name of the guest system (SU x86). No output for SU /390.

Output format for INFORMATION = *UNITS*Example*

```

VM-ID          ACT UNITS
 5 G4IVJ      YES ASSIGNED BY VM-ADMIN
              EXCL:  CC(VC),CC48,CC49,CC88,CC89,CD48,CD49,
                   FC17(PR),FC18(PD),FC19(PD)
              SHARED: 990F

```

Meaning of the output columns

VM-ID / ACT
Corresponds to INFORMATION=*STD.

UNITS

Entered mnemonic device names in blocks:

first the explicitly assigning devices (ASSIGNED BY VM-ADMIN), then the implicitly assigning devices (ASSIGNED BY GUEST). The output is grouped in accordance with the usage mode (EXCL/SHARED). Empty blocks or groups are omitted.

When no devices are to be assigned, NO DEVICE ASSIGNED is output.

The device list is arranged within a group in ascending order of the value range (two- or four-digit). The two-digit device names are output first, followed by the four-digit device names.

The suffix (PR) indicates the pubres device of a pubset whose devices have been assigned to the VM or are to be assigned when the VM definition is activated.

The suffix (PD) indicates a pubres device which has been assigned to a VM with an active VM definition (i.e. the VM is initialized) via the pubset.



When a persistent VM is deleted with /DELETE-VM, entries for such devices and also the entries for implicitly assigned devices (ASSIGNED BY GUEST) are removed from the VM definition.



The suffix (VC) identifies a virtual console (see [page 114](#)).

Example (SU /390)

```

/show-vm-definition vm-name=g4ivj,information=*all _____ (1)
                                CPU-POOL(P)
VM-ID      ACT PER HA  VM-GROUP(G)  PROC  MEM-SIZE  MAX-IO
 5 G4IVJ   YES NO   NO  *STDPPOOL(P)  2      512      100

                                CPU-POOL(P)
VM-ID      ACT VM-GROUP(G) CPU-Q  MAX-U  PROC  ACT-I
 5 G4IVJ   YES *STDPPOOL(P) 70.00 100.00 2      NO

VM-ID      ACT MEM-SIZE  MIN-MEM-S  MAX-MEM-S
 5 G4IVJ   YES      512      512

VM-ID      ACT PRIV    DETAILS
 5 G4IVJ   YES AS

VM-ID      ACT TYPE  EFF  IPL-U  IPL-C  MODE  SYSNAME
 5 G4IVJ   YES AUTO  NO
              LAST YES FC17  CC      FAST

VM-ID      ACT UNITS
 5 G4IVJ   YES ASSIGNED BY VM-ADMIN
              EXCL:  CC(VC),CC48,CC49,CC88,CC89,CD48,CD49,
              FC17(PR),FC18(PD),FC19(PD)
              SHARED: 990F

```

- (1) The VM2000 administrator inquires the settings for the VM entered in the VM definition.

See also [section “Examples of working with VM definitions” on page 207](#).

SHOW-VM-DEVICE-STATUS

Output detailed device information

/SHOW-VM-DEVICE-STATUS outputs detailed information on VM2000 devices.

The command provides the following information:

- The mnemonic device name
- The hardware attributes of the device (device type, PAV and SNAP attributes)
- The pubres attributes of the device (PUBRES-FOR-ATTRIBUTES / PUBRES-FOR-ASSIGNMENT)
- The specifications for implicit assignment of the device (ASSIGN-BY-GUEST attribute, assignment set)
- The assignment of the device to a VM
- The assignment mode and the usage mode of the device

This command is reserved for the VM2000 administrator and VM administrators with ADMIN-PRIVILEGES=*MAXIMUM.

SHOW-VM-DEVICE-STATUS

```

UNITS = *STD / *ALL / *PUBSET-DEVICES(...) /
      list-poss(28): *DEVICE-RANGE(...) / <alphanum-name 1..4 with-wild(20)>
  *PUBSET-DEVICES(...)
    |
    |   PUBSET = *BY-PUBRES-DEVICE(...) / <cat-id 1..4>
    |   |
    |   |   *BY-PUBRES-DEVICE(...)
    |   |   |
    |   |   |   UNIT = <alphanum-name 2..2> / <x-text 4..4>
    |   |   |
    |   |   |   *DEVICE-RANGE(...)
    |   |   |   |
    |   |   |   |   FROM = <alphanum-name 2..2> / <x-text 4..4>
    |   |   |   |   |
    |   |   |   |   |   ,TO = <alphanum-name 2..2> / <x-text 4..4>

```

(part 1 of 2)

```

,SELECT = *PARAMETERS(...)
*PARAMETERS(...)
  TYPE = *ANY / *VC / <family> / <device>
,STATE = *ANY / *ASSIGNED(...) / *DISPOSABLE(...)
  *ASSIGNED(...)
    BY = *ANY / *VM-ADMIN / *GUEST
    ,USAGE = *ANY / *EXCLUSIVE / *SHARED
    ,VM-IDENTIFICATION = *ANY / <integer 1..99> / <name 1..8 with-wild(20)> /
      *BY-VM-GROUP(...) / *BY-CPU-POOL(...)
      *BY-VM-GROUP(...)
        | VM-GROUP-NAME = <name 1..8>
      *BY-CPU-POOL(...)
        | CPU-POOL-NAME = *STDPOOL / <name 1..8>
  *DISPOSABLE(...)
    | CURRENT-STATE = *ANY / *UNASSIGNED / *SHARED / *KEEP
,ASSIGN-BY-GUEST = *ANY / *NO / *YES(...)
  *YES(...)
    | SET-NAME = *ANY / *STDSET / *BY-GUEST(...) / <name 1..8>
    | *BY-GUEST(...)
    | | GUEST = <integer 1..99> / <name 1..8>
,SPECIFIED-AS-PUBRES = *ANY / *NO / *YES(...)
  *YES(...)
    | FOR = *ANY / *ASSIGNMENT / *ATTRIBUTES
,SNAP-DEVICE = *ANY / *NO / *YES
,PAV-ATTRIBUTE = *ANY / *PAV / *NO-PAV / *BASE / *ALIAS / *NO-ALIAS
,INFORMATION = *STD / *ALL / *VM-SUMMARY / *PAV

```

(part 2 of 2)

UNITS =

Specifies the devices whose device information is to be output.

UNITS = *STD

Information on all devices is output. If this operand is entered on a BS2000 console or in the ADMIN dialog via \$VMCONS, the information to be output must be limited by specifying `SELECT=...` or `INFORMATION=*VM-SUMMARY`.

UNITS = *ALL

Information on all devices is output. The output set can be extensive unless other entries are made to limit the information to be output.

UNITS = *PUBSET-DEVICES(...)

Information is output on all devices of a pubset.

PUBSET = *BY-PUBRES-DEVICE(...)

Determines the devices of the pubset by means of the pubres device.

UNIT = <alphanum-name 2..2> / <x-text 4..4>

Mnemonic device name of the pubres device.

PUBSET = <cat-id 1..4>

Catalog ID of the pubset. The pubset must be entered together with its pubres device in the monitor system's MRS catalog.

UNITS = *DEVICE-RANGE(...)

Information is to be output for all the devices in this name range.



Device names `<x-text 4..4>` (in `*DEVICE-RANGE`) are selected from FROM to TO in hexadecimal order. Otherwise, device names `<alphanum-name 2..2>` are selected in alphabetical order.

FROM = <alphanum-name 2..2> / <x-text 4..4>

Defines the start of the name range.

TO = <alphanum-name 2..2> / <x-text 4..4>

Defines the end of the name range. The mnemonic device name must be in the same value range (2- or 4-digit mn) as the FROM device name and must be greater than or equal to the FROM device name in ascending order in the value range.

UNITS = <alphanum-name 1..4 with-wild(20)>

Specifies the devices whose device information is to be output.

SELECT = *PARAMETERS(...)

Selects from the (possibly large) set of devices in the `UNITS` operand a suitable subset about which detailed device information is to be output.

TYPE =

Selects devices on the basis of the device type.

TYPE = *ANY

No selection is made on the basis of the device type.

TYPE = *VC

Selects devices which are assigned as virtual console (`STATE=*ASSIGNED`) or can be assigned as virtual console (`STATE=*DISPOSABLE`).

TYPE = <family>

Outputs all the devices of the specified device family.

<family>	<family> name
*CONSOLE	Console
*PRINTER	Printer
*FAM50	Special devices
*TD	TRANSDATA device
*EXOTIC	Physically supported device
*UR	Unit record device
*DISK	Disk device
*UNMTAPE	Unimodal tape device
*MBK	Magnetic tape cartridge device
*BIMTAPE	Bimodal tape device
*TAPE	Tape device

TYPE = <device>

Outputs all the devices of the specified device type. The possible device types are contained in the device type table (Device type column) in the "System Installation" manual [1]. The possible device and volume types are displayed in the dialog with `TYPE=?`. The device types on the current system can be displayed by means of `/SHOW-DEVICE-CONFIGURATION`, for example.

STATE =

Selects devices on the basis of their assignment status.

STATE = *ANY

No selection is made on the basis of the assignment status.

STATE = *ASSIGNED(...)

Outputs all devices that are assigned to a VM. The VM is selected by means of the `VMIDENTIFICATION` operand. The `BY` and `USAGE` operands define the set of devices to be output more closely.

BY =

Selects devices on the basis of who has assigned the device to at least one VM.

BY = *ANY

No selection.

BY = *VM-ADMIN

Outputs all devices assigned explicitly by the VM or VM2000 administrator. If a VM was explicitly selected in the `VM-IDENTIFICATION` operand, this selection attribute must apply for this VM.

BY = *GUEST

Outputs all devices assigned implicitly to the VM by the guest system. If a VM was explicitly selected in the `VM-IDENTIFICATION` operand, this selection attribute must apply for this VM.

USAGE =

Selects devices on the basis of the usage mode.

USAGE = *ANY

No selection is made on the basis of the usage mode.

USAGE = *EXCLUSIVE

Outputs all devices that are assigned to a VM for exclusive use.

USAGE = *SHARED

Outputs all devices that are assigned to a VM for shared use with other VMs.

VM-IDENTIFICATION =

Selects devices on the basis of the VM to which they are assigned.

VM-IDENTIFICATION = *ANY

No selection.

VM-IDENTIFICATION = <integer 1..99> / <name 1..8 with-wild(20)>

Identifies the virtual machine by means of a VM index or VM name.

VM-IDENTIFICATION = *BY-VM-GROUP(...)

Information is output for all VMs which belong to the VM group (SU /390).

VM-GROUP-NAME = <name 1..8>

Name of the VM group.

VM-IDENTIFICATION = *BY-CPU-POOL(...)

No selection is made on this basis.

CPU-POOL-NAME = *STDPOOL / <name 1..8>

Name of the CPU pool.

STATE = *DISPOSABLE(...)

Outputs all devices that can currently be assigned.

CURRENT-STATE =

Selects devices on the basis of their assignment status.

CURRENT-STATE = *ANY

No selection is made on the basis of the assignment status.

CURRENT-STATE = *UNASSIGNED

Outputs all devices not assigned to a VM (free devices).

CURRENT-STATE = *SHARED

Outputs all devices that are assigned for shared use with other VMs. These devices are assigned to at least one VM.

CURRENT-STATE = *KEEP

Outputs all MTC devices in the `KEEP` state (see [page 328](#)).

ASSIGN-BY-GUEST =

Selects devices on the basis of whether they have to be assigned explicitly by the VM or VM2000 administrator or can be assigned to a suitable VM implicitly by the guest system.

ASSIGN-BY-GUEST = *ANY

No selection.

ASSIGN-BY-GUEST = *NO

Outputs all devices that can only be assigned by the VM or VM2000 administrator.

Exception: Alias devices (PAV, see [page 382](#)), CRD devices (see [page 371](#)) and snap units for Snapsets (see [page 372](#)).

ASSIGN-BY-GUEST = *YES(...)

Outputs all devices that can be assigned to a suitable VM implicitly by the guest system.

Alias devices (PAV, see [page 382](#)), CRD devices (see [page 371](#)) and snap units for Snapsets (see [page 372](#)) are not taken into consideration.

SET-NAME = *ANY / *STDSET / <name 1..8>

Outputs all devices which are assigned to any or to the specified assignment set.

SET-NAME = *BY-GUEST(...)

Outputs all devices which the guest system on the VM may implicitly assign to itself.

GUEST = <integer 1..99 / <name 1..8>

Selects the VM by means of the VM index or VM name.

SPECIFIED-AS-PUBRES =

Selects the devices on the basis of whether they are known as pubres devices.

SPECIFIED-AS-PUBRES = *ANY

No selection.

SPECIFIED-AS-PUBRES = *NO

Outputs all devices which are not known as pubres devices.

SPECIFIED-AS-PUBRES = *YES(...)

Selects the pubres devices on the basis of their pubres attribute.

FOR = *ANY

No selection.

FOR = *ASSIGNMENT

Outputs all pubres devices which have the `PUBRES-FOR-ASSIGNMENT` attribute for an arbitrary VM. If a VM was explicitly selected in the `VM-IDENTIFICATION` operand, this selection attribute must apply for this VM.

FOR = *ATTRIBUTES

Outputs all pubres devices which have the `PUBRES-FOR-ASSIGNMENT` attribute.

SNAP-DEVICE =

Selects the devices on the basis of whether they are configured as snap units (see [page 372](#)).

SNAP-DEVICE = *ANY

No selection.

SNAP-DEVICE = *NO

Outputs all devices which are not configured as snap units.

SNAP-DEVICE = *YES

Outputs all devices which are configured as snap units.

PAV-ATTRIBUTE =

Selects devices on the basis of whether they are configured as PAV (base device or alias device). See [page 380](#).

PAV-ATTRIBUTE = *ANY

No selection.

PAV-ATTRIBUTE = *PAV

Outputs all detected base or alias devices.

PAV-ATTRIBUTE = *NO-PAV

Outputs all devices that are not base or alias devices.

PAV-ATTRIBUTE = *BASE

Outputs all detected base devices.

PAV-ATTRIBUTE = *ALIAS

Outputs all detected alias devices.

PAV-ATTRIBUTE = *NO-ALIAS

Outputs all devices that are not alias devices.

INFORMATION =

Specifies the output information.

INFORMATION = *STD

Outputs detailed information on each device. If the device is assigned to several VMs, only the number of VMs is output.

INFORMATION = *ALL

Outputs detailed information on each device. If the device is assigned to several VMs, all VMs are output. In addition, the PAV property of the device may be output.

INFORMATION = *VM-SUMMARY

Compact output of the devices which are assigned to a VM, sorted by VMs. Devices are then output which can still be assigned to a VM.

INFORMATION = *PAV

Outputs detailed device information including the configuration of the PAV devices (base and alias devices).

Command return code, see also [page 431](#)

(SC2)	SC1	Maincode	Bedeutung
	0	CMD0001	Command successfully executed
2	0	CMD0001	Command successfully executed; not all devices available
2	0	VMS4001	No VM with appropriate name found
1	0	VMS4035	No corresponding device found (SELECT)
1	0	VMS4180	Specified set of devices empty
2	0	VMS4238	Only information on pubres device (*PUBSET-DEVICES)
2	0	VMS4403	No VM belongs to VM group
2	0	VMS4613	No VM has been assigned to CPU pool
	64	VMS3002	Invalid operand value (e.g. TYPE or *DEVICE-RANGE)
	64	VMS3037	UNITS=*STD, no additional selection and input from console or via \$VMCONS
	64	VMS4000	VM not yet created
	64	VMS4200	Assignment set not yet created
	64	VMS4223	Command not executed (operand *PUBSET-DEVICES)
	64	VMS4400	VM group not yet created
	64	VMS4600	CPU pool not yet created

Guaranteed messages

Only if UNITS is specified without *DEVICE-RANGE and without wildcards: VMS4006

Output in S variables (in user task)

The `INFORMATION` operand of the command is used to specify which S variables are to be supplied with values. The following can be specified for `INFORMATION`:

Notation of command	Abbreviated form used in table
<code>INFORMATION = *STD</code>	1
<code>INFORMATION = *ALL</code>	2
<code>INFORMATION = *PAV</code>	3
<code>INFORMATION = *VM-SUMMARY</code>	4

Ausgabe-Information	Name der S-Variablen	T	Inhalt	Bedingung
Mnemonic device name	<code>var(*LIST).MN</code>	S	<alphanum-name 2..2> <x-text 4..4>	1,2,3
Device type	<code>var(*LIST).TYPE</code>	S	<name 1..8>	1,2,3
Can the device be used as virtual console?	<code>var(*LIST).VC</code>	B	TRUE / FALSE	1,2,3
Is the device configured as a snap unit?	<code>var(*LIST).SNAP</code>	B	TRUE / FALSE	1,2,3
Can the device be assigned implicitly by the guest system?	<code>var(*LIST).ASS-BY-GUEST</code>	B	TRUE / FALSE	1,2,3
Assignment set to which the device is assigned	<code>var(*LIST).ASSIGNMENT-SET</code>	S	<name 1..8> *NONE / *STDSET	1,2,3
Does the device have the attribute <code>PUBRES-FOR-ATTRIBUTES?</code>	<code>var(*LIST).PUBRES-FOR-ATTR</code>	B	TRUE / FALSE	1,2,3
PAV attribute of the device	<code>var(*LIST).PAV-ATTR</code>	S	*NO-PAV / *BASE *ALIAS	1,2,3
Base device of the alias device (PAV)	<code>var(*LIST).BASE-MN</code>	S	<alphanum-name 2..2> <x-text 4..4> *NONE	1,2,3
Alias devices of the base device (PAV)	<code>var(*LIST).ALIAS(*LIST).ALIAS-MN</code>	S	<alphanum-name 2..2> <x-text 4..4>	1,2,3
Usage mode	<code>var(*LIST).USAGE</code>	S	*EXCL / *SHARED *UNDEF	1,2,3
Type of I/O processing	<code>var(*LIST).IO-MODE</code>	S	*UNDEF / *DIRECT *INDIRECT	1,2,3
Index of the VM to which the device is assigned	<code>var(*LIST).ASS(*LIST).TO-VM-INDEX</code>	I	<integer 1..99>	1,2,3
Name of the VM to which the device is assigned	<code>var(*LIST).ASS(*LIST).TO-VM-NAME</code>	S	<name 1..8>	1,2,3
Who assigned the device to the VM?	<code>var(*LIST).ASS(*LIST).BY</code>	S	*VM-ADMIN *GUEST	1,2,3

Ausgabe-Information	Name der S-Variablen	T	Inhalt	Bedingung
Was the device assigned to the VM as a pubres device?	var(*LIST).ASS(*LIST).PUBRES-FOR-ASSIGN	B	TRUE / FALSE	1,2,3
Is the device in KEEP mode?	var(*LIST).ASS(*LIST).KEEP	B	TRUE / FALSE	1,2,3
The VM index	var(*LIST).VM-INDEX	I	<integer 0..99> ¹	4
Name of VM	var(*LIST).VM-NAME	S	<name 1..8> *NONE ¹	4
Mnemonic device name	var(*LIST).UNIT(*LIST).MN	S	<alphanum-name 2..2> <x-text 4..4>	4
Who assigned the device to the VM?	var(*LIST).UNIT(*LIST).ASS-BY	S	*VM-ADMIN *GUEST / *UNDEF	4
Usage mode	var(*LIST).UNIT(*LIST).USAGE	S	*EXCL / *SHARED *UNDEF	4
Is the device in KEEP mode?	var(*LIST).UNIT(*LIST).KEEP	B	TRUE / FALSE	4
Is the device a virtual console?	var(*LIST).UNIT(*LIST).VC	B	TRUE / FALSE	4

¹ 0 or *NONE as VM identification for devices that are not assigned to a VM

Output format for INFORMATION = *STD / *ALL*Example (INFORMATION=*ALL)*

UNIT	DEV-TYPE	PAV	S	ASSIGN-SET	USAGE	VM-ID/(#VM)	ASSIGNED-BY
D3	D3435			SYS2IMPL	SH(I)	(2)	MIXED
						1	MONITOR VM-ADMIN
						2	SYSTEM2 GUEST
D4	D3435			SYS2IMPL(P)	SH(D)	2	SYSTEM2 GUEST
D5	D3435			SYS2IMPL	EXCL	2	SYSTEM2 VM-ADMIN(P)
CC42	HNC			SYS2IMPL	EXCL	2	SYSTEM2 GUEST
CC43	HNC			SYS2IMPL	EXCL	2	SYSTEM2 GUEST

Meaning of the output columns

UNIT

Mnemonic device name.

DEV-TYPE

Device type (*VC for virtual consoles).

PAV

PAV attribute of the device.

BASE The device is a base device.

ALIAS The device is an alias device.

S

SNAP attribute of the device.

S The device is a snap unit.

ASSIGN-SET

Assignment set of the device.

*STDSET / <name 1..8>

Name of the assignment set.

_ The device cannot be assigned implicitly.

...(P) This suffix indicates a pubres device with the attribute PUBRES-FOR-ATTRIBUTES (see [page 343](#)).

USAGE

Usage mode of the device.

EXCL The device is used exclusively by a VM.

SH(D) The device is only assigned to one VM. Inputs/outputs are processed directly. The device can be assigned to other VMs for shared use.

SH(I) The device is currently assigned to more than one VM.

[390](#) The inputs/outputs are processed indirectly.

VM-ID/(#VM)

Identification of the VM (<vm-index>_<vm-name>) when the device is assigned in the EXCL or SH(D) usage mode, or (n, n≥1) number of VMs that share the device (SH(I) usage mode).

For INFORMATION=*ALL, output lines follow that (only) in this output column and the ASSIGNED-BY column show the identification of the VMs that share the device and the type of device assignment.

ASSIGNED-BY

Specifies who the device was assigned to the VM by:

VM-ADMIN	Device assigned explicitly by the VM or VM2000 administrator.
VM-ADMIN(P)	Device assigned explicitly as pubres device by the VM or VM2000 administrator. The pubres device therefore has the PUBRES-FOR-ASSIGNMENT attribute for this VM (see page 343).
GUEST	Device assigned to the VM implicitly by the guest system.
GUEST(KEEP)	After detachment the implicit assignment for an MTC device is preserved (see page 328).
MIXED	Device assigned to multiple VMs as a shareable device in various procedures. This display appears only in the output line with the number of VMs which share this device.

Output format for INFORMATION = *PAV

Example

```
UNIT DEV-TYPE PAV S ASSIGN-SET USAGE VM-ID/(#VM) ASSIGNED-BY
2300 D3435 BASE EXCL 1 MONITOR VM-ADMIN
(BASE: 2300; ALIAS: 2310,2320,2330)
```

Meaning of the output columns

The meaning of the output columns corresponds to INFORMATION=*STD.

For each base or alias device, the output line is followed by an information line that indicates the structure of the PAV (i.e. base device and associated alias devices):

(BASE: <mn>; ALIAS: <mn>,...)

Output format for INFORMATION = *VM-SUMMARY*Example*

```

VM-ID          UNITS
 1 MONITOR     ASSIGNED BY VM-ADMIN
                EXCL:   C2,C3,V0,V1,2430,2431,2432,2433
                SHARED: 22F4,22F5,22F6,22F7,58F2
                ASSIGNED BY GUEST
                SHARED: E062
 2 SYSTEM2     ASSIGNED BY VM-ADMIN
                EXCL:   CH,CI,E05F,E060,E061
                SHARED: E062
DISPOSABLE     UNASS:   CB,CC,CD,CE,CF,CG,CJ,CK,...
                SHARED: 22F4,22F5,22F6,22F7,58F2,E062,...

```

Meaning of the output columns

VM-ID

Identifies the VM by means of VM index and VM name.

DISPOSABLE The devices can be assigned to a VM.

UNITS

The output of the devices assigned to a VM takes place VM-specifically in blocks: first the explicitly assigned devices (ASSIGNED BY VM-ADMIN), then the implicitly assigned devices (ASSIGNED BY GUEST). The output is grouped in accordance with the usage mode (EXCL/SHARED/KEEP). Empty blocks or groups are omitted.

The output of the devices that can be assigned to a VM (DISPOSABLE) is grouped by its type (UNASS/SHARED/KEEP). See the /SHOW-VM-DEVICE-STATUS operand STATE=*DISPOSABLE. Empty groups are omitted.

The device list is arranged in ascending order of the value range (two- or four-digit). The two-digit device names are output first, followed by the four-digit device names.

390 For SU /390 the suffix (VC) identifies a device that is used or can be used as a virtual console (see [page 114](#)).

Example

```

/show-vm-device-status units=*std,information=*all,
    select=*par(assign-by-guest=*yes(set-name=sys2impl)) ----- (1)
UNIT DEV-TYPE PAV S ASSIGN-SET USAGE VM-ID/(#VM) ASSIGNED-BY
D3 D3435 SYS2IMPL SH(I) ( 2) MIXED ----- (2)
    1 MONITOR VM-ADMIN
    2 SYSTEM2 GUEST
D4 D3435 SYS2IMPL(P) SH(D) 2 SYSTEM2 GUEST ----- (3)
D5 D3435 SYS2IMPL EXCL 2 SYSTEM2 VM-ADMIN(P)
CC42 HNC SYS2IMPL EXCL 2 SYSTEM2 GUEST ----- (4)
CC43 HNC SYS2IMPL EXCL 2 SYSTEM2 GUEST
/show-vm-device-status units=*std,information=*pav,
    select=*par(state=*disposable,pav-attribute=*base) ----- (5)
UNIT DEV-TYPE PAV S ASSIGN-SET USAGE VM-ID/(#VM) ASSIGNED-BY
2300 STDDISK BASE
    (BASE: 2300; ALIAS: 2310,2320,2330)
2301 STDDISK BASE
    (BASE: 2301; ALIAS: 2311,2321,2331)
2302 STDDISK BASE
    (BASE: 2302; ALIAS: 2312,2322,2332)
... (output abbreviated)
5400 STDDISK BASE
    (BASE: 5400; ALIAS: 540C)

```

- (1) The VM2000 administrator obtains detailed information on the status of the devices of assignment set `SYS2IMPL`. If `INFORMATION=*ALL` is specified, all VMs are output to which a device is assigned in the `SH(I)` usage mode.
- (2) Disk `D3` is assigned to the VMs `MONITOR` and `SYSTEM2` for shared use. The usage mode is therefore `SH(I)` (SHARED with indirect I/O). `D3` has been assigned to `MONITOR` explicitly and to `SYSTEM2` implicitly.
- (3) In the case of implicit device assignment, the disk devices are assigned in the usage mode `SHARED`. Input/output takes place by means of direct I/O because the devices are initially assigned to only one VM.
- (4) In the case of implicit device assignment, other devices (see [page 328](#)) are assigned in the usage mode `EXCLUSIVE`.
- (5) The VM2000 administrator finds out which base devices (PAV) are free. Detailed information is to be displayed on the configuration of the PAV devices (base and alias devices).

See also the detailed examples for device and subset management on [page 332](#) and on [page 359](#).

SHOW-VM-GROUP

Output attributes of VM group (SU /390)

x86 No VM groups are available on SU x86. The command is rejected with message VMS3011 and with general return code VMS9004.

/SHOW-VM-GROUP is used to output the attributes of VM groups.

The command provides the following information:

- The attributes of the VM group as defined with /CREATE-VM-GROUP or /MODIFY-VM-GROUP-ATTRIBUTES
- The VMs which belong to the VM group and their attributes

This command is reserved for the VM2000 administrator.

SHOW-VM-GROUP
VM-GROUP-NAME = <u>*ALL</u> / <name 1..8> / *BY-MEMBER(...) / *BY-CPU-POOL(...) *BY-MEMBER(...) VM-IDENTIFICATION = <integer 1..99> / <name 1..8> *BY-CPU-POOL(...) CPU-POOL-NAME = *STDPOOL / <name 1..8> ,INFORMATION = <u>*ATTRIBUTES</u> / *MEMBERS / *ALL

VM-GROUP-NAME =

Determines the VM group about which information is to be output.

VM-GROUP-NAME = *ALL

Information about all VM groups is to be output.

VM-GROUP-NAME = <name 1..8>

Name of the VM group.

VM-GROUP-NAME = *BY-MEMBER(...)

Determines the VM group by specifying a VM belonging to the VM group.

VM-IDENTIFICATION = <integer 1..99> / <name 1..8>

Identifies the virtual machine by means of a VM index or VM name.

VM-GROUP-NAME = *BY-CPU-POOL(...)

Determines the VM groups by specifying the CPU pool to which the VM groups are assigned.

CPU-POOL-NAME = *STDPOOL / <name 1..8>

Name of the CPU pool.

INFORMATION =

Specifies the output information.

INFORMATION = *ATTRIBUTES

Only attributes of the VM group.

INFORMATION = *MEMBERS

Only information about the members of the VM group.

INFORMATION = *ALL

All the information contained in the outputs *ATTRIBUTES and *MEMBERS.

Command return code, see also [page 431](#)

(SC2)	SC1	Maincode	Bedeutung
	0	CMD0001	Command successfully executed
2	0	VMS4411	No VM group created (VM-GROUP-NAME=*ALL)
2	0	VMS4623	No VM group assigned to CPU pool
	64	VMS4000	VM not yet created
	64	VMS4400	VM group not yet created
	64	VMS4428	VM does not belong to a VM group
	64	VMS4600	CPU pool not yet created

Output in S variables (in user task)

The `INFORMATION` operand of the command is used to specify which S variables are to be supplied with values. The following can be specified for `INFORMATION`:

Notation of command	Abbreviated form used in table
<code>INFORMATION = *ATTRIBUTES</code>	1
<code>INFORMATION = *MEMBERS</code>	2
<code>INFORMATION = *ALL</code>	3

Ausgabe-Information	Name der S-Variablen	T	Inhalt	Bedingung
Name of the VM group	<code>var(*LIST).VM-GROUP</code>	S	<name 1..8>	1,2,3
Name of the CPU pool	<code>var(*LIST).CPU-POOL</code>	S	*STDPOOL <name 1..8>	1,2,3
CPU quota of the VM group	<code>var(*LIST).CPU-QUOTA</code>	S	<fixed 0.01..99.99>	1,3
Maximum CPU utilization of the VM group	<code>var(*LIST).MAX-CPU-UTILIZATION</code>	S	<fixed 0.01..100.00>	1,3
Number of VMs which belong to the VM group	<code>var(*LIST).NUM-OF-MEMBERS</code>	I	<integer 0..99>	2,3
The VM index	<code>var(*LIST).MEMBER(*LIST).VM-INDEX</code>	I	<integer 1..99>	2,3
Name of VM	<code>var(*LIST).MEMBER(*LIST).VM-NAME</code>	S	<name 1..8>	2,3
Share of the VM in the CPU quota of the VM group	<code>var(*LIST).MEMBER(*LIST).MEMBER-CPU-QUOTA</code>	S	<fixed 0.01..99.99>	2,3
Effective CPU share of the VM	<code>var(*LIST).MEMBER(*LIST).EFFECTIVE-CPU-QUOTA</code>	S	<fixed 0.01..100.00>	2,3
Maximum CPU utilization of the VM	<code>var(*LIST).MEMBER(*LIST).MAX-CPU-UTILIZATION</code>	S	<fixed 0.01..100.00>	2,3
Effective maximum CPU utilization of the VM	<code>var(*LIST).MEMBER(*LIST).EFFECTIVE-MAX-UTIL</code>	S	<fixed 0.01..100.00>	2,3

Output format for INFORMATION = *ATTRIBUTES*Example*

```
VM-GROUP  CPU-POOL CPU-Q   MAX-U
GCUST1    *STDPOOL  20.00  20.00
```

Meaning of the output columns

VM-GROUP

Identifies the VM group by means of its name.

CPU-POOL

CPU pool to which the VM group is assigned.

*STDPOOL The VM group is assigned to the standard CPU pool.

CPU-Q

CPU quota of the VM group as assigned by means of command (CPU-QUOTA operand).

MAX-U

Maximum CPU utilization of the VM group as assigned by means of command (MAX-CPU-UTILIZATION operand).

Output format for INFORMATION = *MEMBERS*Example*

```

VM-GROUP CPU-POOL VM-ID          CPU-Q / EFF-Q   MAX-U / EFF-U
GCUST1   *STDPOOL 2 C1SYS1      1.00 / 10.00   20.00 / 20.00
                   3 C1SYS2      1.00 / 10.00  100.00 / 20.00

```

Meaning of the output columns

VM-GROUP

Identifies the VM group by means of its name.

CPU-POOL

CPU pool to which the VM group is assigned.

*STDPOOL The VM group is assigned to the standard CPU pool.

VM-ID

Identifies a VM which belongs to the VM group by means of VM index and VM name.

NONE No VM has been added to the VM group.

CPU-Q / EFF-Q

CPU quota of the VM in the format <member-cpu-q> / <effective-cpu-q>.

<member-cpu-q> Member CPU quota of the VM, set by means of command
(MEMBER-CPU-QUOTA operand).

<effective-cpu-q> Effective CPU share of the VM, calculated by VM2000.
Values < 0.01 are rounded up to 0.01.

MAX-U / EFF-U

Maximum CPU utilization of the VM in the format <max-cpu-util> / <effective-max-cpu-util>.

<max-cpu-util> Maximum CPU utilization set by means of command
(MAX-CPU-UTILIZATION operand) for the VM.

<effective-max-cpu-util> Effective maximum CPU utilization of the VM, calculated
by VM2000.

Example

```
/show-vm-group vm-group-name=*all,information=*all _____ (1)
```

```
VM-GROUP CPU-Q MAX-U
GCUST1 20.00 20.00 _____ (2)
```

```
VM-GROUP VM-ID CPU-Q / EFF-Q MAX-U / EFF-U
GCUST1 2 C1SYS1 1.00 / 10.00 20.00 / 20.00 _____ (3)
        3 C1SYS2 1.00 / 10.00 100.00 / 20.00
```

- (1) The VM2000 administrator obtains information on the existing VM groups.
- (2) A VM group GCUST1 exists with a CPU quota and a maximum CPU utilization of 20.
- (3) The VM group GCUST1 has two members, C1SYS1 and C1SYS2, with the same CPU quota. The maximum CPU utilization of C1SYS2 was set by means of command to 100, but is reduced to 20 by the corresponding value for the group.

See also the detailed [“Example of operating VM groups”](#) on page 223.

SHOW-VM-RESOURCES

Output status of VM2000 resources

The status of VM2000 resources is output using `/SHOW-VM-RESOURCES`.

The command provides the following information:

- The attributes of all VMs, as defined by means of command
- The status of all initialized VMs
- The version of the BS2000 operating system in the guest system
- Whether a VM administrator is connected to the VM
- The privileges of the VMs
- The number of non-initialized VMs and the greatest possible main memory size that can be assigned when a VM is set up
- The VM group to which the VM belongs (SU /390)
- The CPU pool to which the VM is assigned
- The scheduling procedure for the VM
- The settings of the VM for control via the real CPU (SU /390)
- The status of the virtual CPUs of all VMs and of the real CPUs
- The assignment of the devices to the VMs and the free devices (those not assigned to a VM); selection is possible on the basis of device types and properties
- The main memory distribution over the VMs and the free main memory
- The monitoring job variables assigned to the VMs
- The overview of the Server Unit configuration
- The assignment of the Channel Subsystem Monitoring Facility (SU /390, see [page 421](#))

This command is reserved for the VM2000 administrator and VM administrators with `ADMIN-PRIVILEGES=*MAXIMUM`.

SHOW-VM-RESOURCES

```

INFORMATION = *STD / *CPU / *UNITS / *GS1 / *MEMORY / *MONJV / *PRIVILEGES /
*CONFIGURATION / *ALL

,UNITS = *ALL / list-poss(28): *DEVICE-RANGE(...) / <alphanum-name 1..4 with-wild(20)>

*DEVICE-RANGE(...)
  |
  | FROM = <alphanum-name 2..2> / <x-text 4..4>
  | ,TO = <alphanum-name 2..2> / <x-text 4..4>
  |
,TYPE = *ANY / *SD / *VC / <family> / <device>

,ATTRIBUTES = *ALL / *ASSIGNED / *FREE

,VM-IDENTIFICATION = *VM2000 / <integer 1..99> / <name 1..8 with-wild(20)> /
*BY-VM-GROUP(...) / *BY-CPU-POOL(...)

*BY-VM-GROUP(...)
  |
  | VM-GROUP-NAME = <name 1..8>
  |
*BY-CPU-POOL(...)
  |
  | CPU-POOL-NAME = *STDPOOL / <name 1..8>

```

¹ The operand value ***GS** is obsolete. For reasons of compatibility the parameter can still be specified. **NO GS AVAILABLE** is always output.

INFORMATION =

Specifies the output information.

INFORMATION = *STD

Only the attributes and status of the VM.

INFORMATION = *CPU

Only information on the CPU status.

INFORMATION = *UNITS

Only the devices are specified.

INFORMATION = *MEMORY

Only the distribution of main memory.

INFORMATION = *MONJV

Only information on the monitor job variables.

INFORMATION = *PRIVILEGES

Only information on the privileges of the VM.

INFORMATION = *CONFIGURATION

Only the overview of the Server Unit configuration.

INFORMATION = *ALL

All the information contained in the outputs *STD, *CPU, *UNITS, *GS, *MEMORY, *MONJV and *PRIVILEGES, but not in *CONFIGURATION.

UNITS =

Specifies the devices whose assignment is to be output. This operand is only evaluated when INFORMATION=*UNITS/*ALL is specified at the same time.

UNITS = *ALL

The assignment of **all** devices is output in list form. The TYPE and ATTRIBUTES operands are taken into account.

UNITS = *DEVICE-RANGE(...)

The assignment of all the devices in this name range is to be output in list form. The TYPE and ATTRIBUTES operands are taken into account.



Device names <x-text 4..4> (in the case of *DEVICE-RANGE) are selected from FROM to TO in hexadecimal order. Otherwise, device names <alphanum-name 2..2> are selected in alphabetical order.

FROM = <alphanum-name 2..2> / <x-text 4..4>

Defines the start of the name range.

TO = <alphanum-name 2..2> / <x-text 4..4>

Defines the end of the name range. The mnemonic device name must be in the same value range (2- or 4-digit mn) as the FROM device name and must be greater than or equal to the FROM device name in ascending order in the value range.

UNITS = <alphanum-name 1..4 with-wild(20)>

Specifies the devices whose assignment is to be output.

If wildcards are used, the output is in list form. Without wildcards, a corresponding message is output for each device specified (the operand ATTRIBUTES is ignored in the case of output to SYSOUT, but has a meaning for output into an S variable, see [page 641](#)).

TYPE =

Selects the devices on the basis of their device properties. This operand is only evaluated when INFORMATION=*UNITS/*ALL.

TYPE = *ANY

The devices are not selected according to device attributes.

TYPE = *SD

Outputs all devices which are declared as shareable.

TYPE = *VC

Outputs all devices which are assigned as virtual console (ATTRIBUTES=*ASSIGNED) or can be assigned as virtual console (ATTRIBUTES=*FREE).

TYPE = <family>

Outputs all the devices of the specified device family.

<family>	<family> name
*CONSOLE	Console
*PRINTER	Printer
*FAM50	Special devices
*TD	TRANSDATA device
*EXOTIC	Physically supported device
*UR	Unit record device
*DISK	Disk device
*UNMTAPE	Unimodal tape device
*MBK	Magnetic tape cartridge device
*BIMTAPE	Bimodal tape device
*TAPE	Tape device

TYPE = <device>

Outputs all the devices of the specified device type. The possible device types are contained in the device type table (Device type column) in the "System Installation" manual [1]. The possible device and volume types are displayed in the dialog with TYPE=?. The device types on the current system can be displayed by means of /SHOW-DEVICE-CONFIGURATION, for example.

ATTRIBUTES =

Selects devices or main memory on the basis of whether they are assigned to a VM or can be assigned to a VM. This operand is only evaluated for devices if `INFORMATION=*UNITS/*ALL` and `UNITS=*ALL/*DEVICE-RANGE/<alphanum-name>` are specified at the same time with wildcards.



With output in S variables, the effect of this operand to main memory is extended, see [page 641](#).

ATTRIBUTES = *ALL

Information for all devices or the entire main memory is output.

ATTRIBUTES = *ASSIGNED

Only the main memory of the VM or those devices assigned to a VM are output.

ATTRIBUTES = *FREE

Only those devices or main memory not assigned to a VM (`DISPOSABLE`) are output.

VM-IDENTIFICATION =

Identification of the virtual machine.



The operand is not evaluated for `INFORMATION=*CONFIGURATION`.

VM-IDENTIFICATION = *VM2000

The information is output for all configured VMs.

VM-IDENTIFICATION = <integer 1..99> / <name 1..8 with-wild(20)>

Identifies the virtual machine by means of a VM index or VM name.

VM-IDENTIFICATION = *BY-VM-GROUP(...)

Information is output for all VMs which belong to the VM group (`SU /390`).

VM-GROUP-NAME = <name 1..8>

Name of the VM group.

VM-IDENTIFICATION = *BY-CPU-POOL(...)

No selection is made on this basis.

CPU-POOL-NAME = *STDPOOL / <name 1..8>

Name of the CPU pool.

Command return code, see also [page 431](#)

(SC2)	SC1	Maincode	Bedeutung
	0	CMD0001	Command successfully executed
1	0	VMS4035	No corresponding device found (ATTRIBUTES or TYPE)
1	0	VMS4180	Specified set of devices empty (INFORMATION=*ALL/*UNITS)
2	0	VMS4001	No VM with appropriate name found
2	0	VMS4403	No VM belongs to VM group
2	0	VMS4613	No VM has been assigned to CPU pool
	64	VMS3002	Invalid operand value (e.g. TYPE or *DEVICE-RANGE)
	64	VMS3003	Invalid combination of operands
	64	VMS4000	VM not yet created
	64	VMS4400	VM group not yet created
	64	VMS4600	CPU pool not yet created

Guaranteed messages

Only if UNITS is specified without *DEVICE-RANGE and without wildcards: VMS4006

Output in S variables (in user task)

The `INFORMATION` operand of the command is used to specify which S variables are to be supplied with values. The following can be specified for `INFORMATION`:

Notation of command	Abbreviated form used in table
<code>INFORMATION = *STD</code>	1
<code>INFORMATION = *CPU</code>	2
<code>INFORMATION = *GS</code>	3
<code>INFORMATION = *MONJV</code>	4
<code>INFORMATION = *PRIVILEGES</code>	5
<code>INFORMATION = *CONFIGURATION</code>	6
<code>INFORMATION = *UNITS, ATTRIBUTE=*ALL/*ASSIGNED</code>	7
<code>INFORMATION = *MEMORY, ATTRIBUTE=*ALL/*ASSIGNED</code>	8
<code>INFORMATION = *ALL, ATTRIBUTE=*ALL/*ASSIGNED</code>	9
<code>INFORMATION = *UNITS, ATTRIBUTE=*FREE</code> ¹	10
<code>INFORMATION = *MEMORY, ATTRIBUTE=*FREE</code> ¹	11
<code>INFORMATION = *ALL, ATTRIBUTE=*FREE</code> ¹	12

¹ The meaning of `ATTRIBUTE=*FREE`, which in the case of output to `SYSOUT` is only relevant for devices, has been extended for output in S variables. If `ATTRIBUTE=*FREE` is specified, the described information about the free devices or main memory which follows the VM-specific information in `SYSOUT` output is output for `INFORMATION=*UNITS/*MEMORY/*ALL`.

Ausgabe-Information	Name der S-Variablen	T	Inhalt	Bedingung
The VM index	<code>var(*LIST).VM-INDEX</code>	I	<integer 1..99>	1 - 5, 7 - 9
Name of VM	<code>var(*LIST).VM-NAME</code>	S	<name 1..8>	1 - 5, 7 - 9
Multiprocessor level of the VM	<code>var(*LIST).NUM-OF-CPU</code>	I	<integer 1..32>	1,2,9
Number of virtual spare CPUs of the VM	<code>var(*LIST).NUM-OF-VM-SPARE-CPU</code>	I	<integer 0..15>	1,2,9
Name of the CPU pool	<code>var(*LIST).CPU-POOL</code>	S	*STDPOOL <name 1..8>	1,2,9
CPU quota of the VM (integer)	<code>var(*LIST).CPU-QUOTA</code>	I	<integer 1..99>	1,2,9
CPU quota of the VM (exact)	<code>var(*LIST).FINE-CPU-QUOTA</code>	S	<fixed 0.01..99.99>	1,2,9
Effective CPU share of the VM	<code>var(*LIST).EFFECTIVE-CPU-QUOTA</code>	S	<fixed 0.01..100.00>	1,2,9
Maximum CPU utilization of the VM (integer)	<code>var(*LIST).MAX-CPU-UTILIZATION</code>	I	<integer 1..100>	1,2,9
Maximum CPU utilization of the VM (exact)	<code>var(*LIST).FINE-MAX-UTIL</code>	S	<fixed 0.01..100.00>	1,2,9
Maximum CPU utilization of the VM (effective)	<code>var(*LIST).EFFECTIVE-MAX-UTIL</code>	S	<fixed 0.01..100.00>	1,2,9
Name of the VM group	<code>var(*LIST).VM-GROUP</code>	S	*NONE <name 1..8>	1,2,9

Ausgabe-Information	Name der S-Variablen	T	Inhalt	Bedingung
Is the IO-RESET privilege assigned?	var(*LIST).IO-PRIVIL	B	TRUE / FALSE	1,5,9
Is the IO-PRIORITY privilege assigned?	var(*LIST).IO-PRIO-PRIVIL	B	TRUE / FALSE	1,5,9
Is the ASSIGN-BY-GUEST privilege assigned for at least one assignment set?	var(*LIST).ASS-BY-GUEST-PRIVIL	B	TRUE / FALSE	1,5,9
Is the AUTO-SNAP-ASSIGNMENT privilege assigned?	var(*LIST).AUTO-SNAP-PRIVIL	B	TRUE / FALSE	1,5,9
Size of VM main memory in Mbytes	var(*LIST).MEM-SIZE	I	<integer 1..1048576>	1,8,9
Minimum size of VM main memory in Mbytes	var(*LIST).MIN-MEM-SIZE	S	<integer 1..1048576> *UNDEF	1,8,9
Maximum size of the VM's main memory in Mbytes	var(*LIST).MAX-MEM-SIZE	S	<integer 1..1048576> *UNDEF	1,8,9
New main memory size for VM for main memory reconfiguration in Mbytes	var(*LIST).PLANNED-MEM-SIZE	S	*UNDEF <integer 1..1048576>	1,8,9
Size of the main memory for BS2000 in Mbytes	var(*LIST).BS2-MEM-SIZE	I	<integer 1..1048576>	1,8,9
Maximum I/O utilization of the VM	var(*LIST).MAX-IO-UTILIZATION	I	<integer 1..100>	1.9
Is the I/O utilization monitored by IOLVM?	var(*LIST).MAX-IO-UTIL-ACTIVE	B	TRUE / FALSE	1.9
Status of VM	var(*LIST).STA	S	*INIT-ONLY / *RUN *WAIT / *DOWN / *SETUP	1.9
Is the VM in the wait state following a global /HOLD-VM from the VM2000 administrator?	var(*LIST).WAIT-GLOBAL	B	TRUE / FALSE	1.9
Is the VM in the wait state following a selective /HOLD-VM from the VM2000 administrator?	var(*LIST).WAIT-SEL	B	TRUE / FALSE	1.9
Is the VM in the wait state following a global /HOLD-VM from the VM administrator?	var(*LIST).WAIT-BY-VM-ADM	B	TRUE / FALSE	1.9
Is the VM in the VM2000-internal wait state?	var(*LIST).WAIT-INTERNAL	B	TRUE / FALSE	1.9
Is a VM administrator connected?	var(*LIST).VM-ADM	B	TRUE / FALSE	1.9
Guest operating system	var(*LIST).GUEST-TYPE	S	BS2-OSD *UNKNOWN	1.9

Ausgabe-Information	Name der S-Variablen	T	Inhalt	Bedingung
Version of the guest operating systems	var(*LIST).GUEST-VERSION	S	<c-string 1..8> *UNKNOWN	1.9
Does the VM have the PERSISTENT attribute?	var(*LIST).PERSISTENT	B	TRUE / FALSE	1.9
Is the VM currently being migrated?	var(*LIST).MIGRATING	B	TRUE / FALSE	1.9
Does the VM have a different I/O configuration after the migration	var(*LIST).DIFFERENT-IO-CONF	B	TRUE / FALSE	1.9
Scheduling procedure	var(*LIST).SCHEDULE	S	*NONE *BY-TIMESLICE *DEDICATED-CPUS	2.9
CPU quota (exact) of the VM group if the VM is assigned to a VM group	var(*LIST).VM-GROUP-CPU-QUOTA	S	*NONE <fixed 0.01..99.99>	2.9
Setting for VM-ACTIVE-IDLE	var(*LIST).VM-ACTIVE-IDLE	S	*NO *AT-DEDICATED-CPUS	2.9
Virtual CPUs of the VM	var(*LIST).VIRT-CPU(*LIST).NUM	S	<x-text 2..2>	2.9
Status of virtual CPUs of VM	var(*LIST).VIRT-CPU(*LIST).STA	S	*RUN / *IDLE / *INIT *WAIT / *STOP / *HALT *BLOCK / *SLEEP *OFFLINE	2.9
Global storage information (obsolete)	var(*LIST).PART-ID	S	*NONE	3.9
	var(*LIST).GS-ATTR	S	*UNDEF	3.9
	var(*LIST).GS-SIZE	I	0	3.9
	var(*LIST).GS-MODE	S	*NONE	3.9
	var(*LIST).GS-STA	S	*NONE	3.9
Monitor job variable for monitoring the VM	var(*LIST).VM-MONJV	S	<name 1..54> / *NONE	4.9
Monitor job variable for monitoring the reconfiguration of the main memory for the VM	var(*LIST).RECONF-MONJV	S	<name 1..54> / *NONE	4.9
Monitor job variable for monitoring the migration for the VM	var(*LIST).MIGR-MONJV	S	<name 1..54> / *NONE	4.9
Command/function scope for VM2000 administrator (monitor VM) and VM administrator	var(*LIST).ADM-PRIVIL	S	*VM2000-MIN / *VM2000-STD / *VM-STD / *VM-MAX	5.9
Specification of the assignment sets for the VM ASSIGN-BY-GUEST=*YES(...)	var(*LIST).ASSIGNMENT-SET-SPEC	S	*NONE / *ALL / *EXCEPT / *LIST	5.9
List of the assignment sets for the VM (only *EXCEPT / *LIST)	var(*LIST).ASSIGNMENT-SET(*LIST)	S	*STDSET / <name 1..8>	5.9

Ausgabe-Information	Name der S-Variablen	T	Inhalt	Bedingung
Number of real normal CPUs of the Server Unit	var(*LIST).NUM-OF-NORMAL-CPUS	I	<integer 1..64>	6
Number of extra CPUs of the Server Unit	var(*LIST).NUM-OF-EXTRA-CPUS	I	<integer 0..63>	6
Number of spare CPUs of the Server Unit	var(*LIST).NUM-OF-SPARE-CPUS	I	<integer 0..63>	6
Maximum possible number of virtual CPUs for a VM	var(*LIST).MAX-NUM-CPUS-PER-VM	I	<integer 1..32>	6
Total possible number of virtual CPUs	var(*LIST).NUM-OF-VIRT-CPUS	I	<integer 1..3168>	6
PATH-GROUP-ID (obsolete)	var(*LIST).PATH-GROUP-ID-MODE	S	*COMPLEX	6
Size of the main memory available for VM2000 in Mbytes	var(*LIST).REAL-MEM-SIZE	I	<integer 1..1048576>	6
Minimum size of main memory required by VM2000 in Mbytes	var(*LIST).REAL-MIN-MEM-SIZE	I	<integer 1..1048576>	6
Global storage information (obsolete)	var(*LIST).GS-SIZE	I	0	6
Main memory size of all XenVMs (including domain 0) in Mbytes	var(*LIST).FOREIGN-MEM-SIZE		<integer 0..1048576>	6
VM2000 hypervisor main memory size in Mbytes	var(*LIST).HYPERVISOR-SIZE	I	<integer 0..255>	6
Start address of the VM2000 hypervisor main memory in Mbytes	var(*LIST).HYPERVISOR-LOCATION	S	<x-text 1..8> *SPREAD	6
Real CPUs of the Server Unit	var(*LIST).REAL-CPU(*LIST).ID	S	<x-text 2..2>	6
CPU pool to which a real CPU belongs	var(*LIST).REAL-CPU(*LIST).CPU-POOL	S	<name 1..8> *STDPOOL / *NONE / *POOL0 / *FOREIGN	6
Status of the real CPUs of the Server Unit	var(*LIST).REAL-CPU(*LIST).STA	S	*ATT / *DET / *ERR / *OFFLINE *WAIT-FOR-MAINT	6
Type of real CPUs of the Server Unit	var(*LIST).REAL-CPU(*LIST).ATTR	S	*NORMAL / *EXTRA *FOREIGN / *SPARE *UNUSED	6
Max. number of VMs for this Server Unit	var(*LIST).MAX-VMS	I	<integer 1..99>	6
Max. number of VM groups for this Server Unit	var(*LIST).MAX-VM-GROUPS	I	<integer 0..50>	6
Max. number of CPU pools for this Server Unit	var(*LIST).MAX-CPU-POOLS	I	<integer 1..64>	6

Ausgabe-Information	Name der S-Variablen	T	Inhalt	Bedingung
Default value for the assignment set (VM2000 parameter ASSIGN-BY-GUEST=*NO/*YES)	var(*LIST).ASSIGNMENT-SET-DEF	S	*NONE / *STDSET	6
Assignment set for new devices	var(*LIST).ASSIGNMENT-SET-NEW	S	*NONE / *STDSET / <x-text 1..8>	6
Devices of the VM	var(*LIST).UNIT(*LIST).MN	S	<alphanum-name 2..2> <x-text 4..4>	7.9
Who assigned the device to the VM?	var(*LIST).UNIT(*LIST).ASS-BY	S	*VM-ADMIN *GUEST / *UNDEF	7.9
Usage mode of the device	var(*LIST).UNIT(*LIST).USAGE	S	*EXCL / *SHARED *UNDEF	7.9
Is the device a virtual console?	var(*LIST).UNIT(*LIST).VC	B	TRUE / FALSE	7.9
Is the device in KEEP mode?	var(*LIST).UNIT(*LIST).KEEP	B	TRUE / FALSE	7.9
Start address of VM main memory in Mbytes	var(*LIST).LOCATION	S	<x-text 1..8> *SPREAD	8.9
Devices not assigned to a VM	var(*LIST).UNIT(*LIST).MN	S	<alphanum-name 2..2> <x-text 4..4>	10.12
Usage mode of the free device	var(*LIST).UNIT(*LIST).USAGE	S	*SHARED / *UNDEF	10.12
Is the free device a virtual console?	var(*LIST).UNIT(*LIST).VC	B	TRUE / FALSE	10.12
Is the device in KEEP mode?	var(*LIST).UNIT(*LIST).KEEP	B	TRUE / FALSE	10.12
Largest possible main memory size for a new VM in Mbytes (see note on page 653)	var(*LIST).LARG-FREE-DOM	I	<integer 0..1048576>	11.12
Start address of a free main memory in Mbytes	var(*LIST).MEM-SLICE(*LIST).BEGIN	S	<x-text 1..8> *SPREAD	11.12
End address of the free main memory in Mbytes	var(*LIST).MEM-SLICE(*LIST).END	S	<x-text 1..8> *SPREAD	11.12
Size of the free main memory in Mbytes	var(*LIST).MEM-SLICE(*LIST).SIZE	I	<integer 1..1048576>	11.12

Output format for INFORMATION = *STD*Example*

```

CPU-POOL(P)
VM-ID      VM-GROUP(G)  CPU-Q   MAX-U   PROC   MEM-SIZE  MAX-IO
 1 MONITOR  *STDPOOL(P) 30.00  100.00 1(+1)    512   (100)
 2 SYSTEM2  *STDPOOL(P) 30.00  100.00 1(+1)    128   (100)

VM-ID      STATE          VERSION PER ADMIN PRIV
 1 MONITOR  RUNNING       V11.0A NO  YES  AG,AS
 2 SYSTEM2  RUNNING       V10.0A NO  NO   AS

F R E E      VM: 13          LARGEST-DOMAIN(MB): 15216

```

Meaning of the output columns

VM-ID

Identifies the VM by means of VM index and VM name.

CPU-POOL(P)

VM-GROUP(G)

Shows whether the VM is assigned to a VM group. If the VM is not assigned to a VM group, the CPU pool to which the VM is assigned is shown. Whether the VM is assigned to a VM group is indicated by a suffix:

<vm-group-name>(G) The VM is assigned to a VM group; the VM's member CPU quota is displayed under CPU-Q.

<cpu-pool-name>(P) The VM is not assigned to a VM group; the CPU quota of the (individual) VM is displayed under CPU-Q.

CPU-Q

CPU quota of the VM as set by means of command. For VMs which belong to a VM group this is the member CPU quota (MEMBER-CPU-QUOTA operand), otherwise the CPU quota of the VM which does not belong to a VM group (CPU-QUOTA operand).

MAX-U

Maximum CPU utilization of the VM as set by means of command (MAX-CPU-UTILIZATION operand).

PROC

Virtual CPUs of the VM in the form *m* or *m(+n)*.

m Number of virtual normal CPUs of the VM (multiprocessor level of the VM)

n Number of virtual spare CPUs of the VM

MEM-SIZE

Current main memory size of the VM in Mbytes.

MAX-IO

Maximum I/O utilization of the VM as set by means of a command (MAX-IO-UTILIZATION operand). If the value is specified in parentheses, this means it is currently not being monitored by the IORM function IOLVM, see [page 393](#).

STATE

State of the VM.

If there are overlapping wait states, only the wait state with the highest priority (in the order SEL, GLB, VMA, see [page 163](#)) is displayed.

INIT-ONLY	The VM is initialized (after VM initialization (see page 135), after /RESET-VM or /ACTIVATE-VM-DEFINITION AUTO-IPL=*NO), but no guest system has been started yet
RUNNING	The guest system on the VM has been started and is running
WAIT(...)	The VM is in the wait state; the guest system is at rest (cause)
WAIT(GLB)	Global HOLD (/HOLD-VM *ALL) of the VM2000 administrator
WAIT(INT)	Internal wait state of the VM, e.g. during /MOVE-VM
WAIT(SEL)	Selective HOLD (/HOLD-VM VM-ID=2..n) of the VM2000 administrator
WAIT(VMA)	/HOLD-VM of the VM administrator for his VM
DOWN	The guest system on the VM is terminated (after shutdown or SETS in the guest system)

For a VM that is currently being migrated, the following states are output:

- on the source SU:
the current status of the VM, complemented by (MIGR), e.g. RUNNING(MIGR)
- on the target SU:
state SETUP(MIGR)

If the I/O configuration on the target SU is different from the I/O configuration on the source SU, the current state of the migrated VM is output on the target SU, complemented by (DIFF), e.g. RUNNING(DIFF)

VERSION

Version of the BS2000 operating system in the guest system in the form Vnn.na. If the version is not (yet) known, blanks are displayed here.

PER

Displays whether the VM has the PERSISTENT attribute (YES/NO).

ADMIN

Indicates if a VM administrator is connected to the virtual machine (YES/NO).

PRIV

Privileges of the VM (AG=ASSIGN-BY-GUEST / IO-R=IO-RESET / AS=AUTO-SNAP-ASSIGNMENT / IO-P=IO-PRIORITY).

The number of VMs not yet initialized and the largest free main memory size for a new VM are shown in the last line of the output information, starting with `FREE`.

- 390 If the Channel Subsystem Monitoring Facility is activated in one of the selected VMs, the VM2000 administrator is informed of this in the case of `INFORMATION=*STD/*ALL` by message `VMS2035` (see [page 421](#)).
- x86 See the information on `FREE` on [page 653](#).

Output format for INFORMATION = *CPU*Example*

```

VM-ID          CPU-POOL  GR-CPU-Q  CPU-Q/ EFF-Q  MAX-U/ EFF-U  PROC
1 MONITOR     *STDPOOL          30.00/ 25.00 100.00/ 25.00 1(+1)
2 SYSTEM2     *STDPOOL          30.00/ 25.00 100.00/ 25.00 1(+1)

VM-ID          SCHED ACT-I  VIRT CPUS
1 MONITOR     DC      NO    00(RUN),01(SLEEP)
2 SYSTEM2     DC      NO    00(RUN),01(SLEEP)

```

Meaning of the output columns

VM-ID / PROC

Corresponds to INFORMATION=*STD.

CPU-POOL

Shows the CPU pool to which the VM is assigned.

GR-CPU-Q

Shows whether the VM is assigned to a VM group.**If the VM is assigned to a VM group, the CPU quota of the VM group is displayed here, and the member CPU quota of the VM under CPU-Q.****If the VM is not assigned to a VM group, blanks are displayed here, and the CPU quota of the (individual) VM under CPU-Q.**

CPU-Q/EFF-Q

CPU quota of the VM in the format <cpu-quota> / <effective-cpu-quota>, where:

<cpu-quota> **CPU quota of the VM as set by means of command. For VMs which belong to a VM group this is the member CPU quota (MEMBER-CPU-QUOTA operand), otherwise the CPU quota of the VM which does not belong to a VM group (CPU-QUOTA operand).**

<effective-cpu-quota> **Effective CPU share of the VM, calculated by VM2000. Values < 0.01 are rounded up to 0.01.**

MAX-U/EFF-U

Maximum CPU utilization of the VM in the format <max-cpu-util> / <effective-max-cpu-util>, where:

<max-cpu-util> **Maximum CPU utilization set by means of command (MAX-CPU-UTILIZATION operand) for the VM.**

<effective-max-cpu-util> **Effective maximum CPU utilization of the VM, calculated by VM2000.**

SCHED

Scheduling procedure:

- No virtual CPU is executable
- DC Fixed CPU assignment (dedicated CPUs)
- TS Time slicing

ACT-I

Setting for controlling the real CPU in the case of fixed CPU assignment:

- NO The real CPU is removed from the VM if the VM's virtual CPU which runs on this is inactive (interruptible wait state, "Idle").
- AT-DC The VM retains control over the real CPU even if the VM's virtual CPU which runs on this is inactive (interruptible wait state, "Idle", SU /390).

VIRT CPUS

Virtual normal and spare CPUs of the VM in the format <cpu-id>(<vstate>),....

<cpu-id> CPU identifier.

<vstate> State of the virtual CPU, see [page 260](#)

(RUN / IDLE / INIT / WAIT / STOP / HALT / BLOCK / SLEEP / OFF).

When VM-IDENTIFICATION=*VM2000, the output information for the virtual CPUs of the VMs is followed by the output information for all real CPUs of the Server Unit, grouped according to the type of CPU and the CPU pool to which the CPU belongs.

Example

CPU-ATTR	CPU-POOL	REAL CPUS
NORMAL	*STDPOOL	00(ATT),01(ATT),02(ATT),03(ATT)
EXTRA		NONE
SPARE		04(DET)

Meaning of the output columns

CPU-ATTR

Type of CPU (NORMAL / EXTRA / SPARE / FOREIGN / UNUSED), see [page 257](#).

CPU-POOL

Identifies the CPU pool to which the real CPU belongs by means of its name.

- *STDPOOL Standard CPU pool.
- *POOL0 Pool of domain 0 (SU x86).
- *FOREIGN Pool for the XenVMs (SU x86).

REAL CPUS

CPU identification and status in the format <cpu-id>(<rstate>),....

<cpu-id> Identifier of the real CPU.

<rstate> Status of the real CPU, see [page 258](#)
(ATT / DET / WFM / ERR / OFF).

Output format for INFORMATION = *UNITS*Example*

```

VM-ID          UNITS
 1 MONITOR     ASSIGNED BY VM-ADMIN
                EXCL:   C2,C3,C4,C5,9900,9901,9902,CC40,CC41,CC80,
                    CC81,CD40,CD41,CD80,CD81,FC10,FC11,FC12
                SHARED: 990F
 2 SYSTEM2     ASSIGNED BY VM-ADMIN
                EXCL:   CH,CI,CC42,CC43,CD42,CD43,FC1A,FC1B
DISPOSABLE     UNASS:   CA(VC),CB(VC),CC(VC),CJ,CK,CL,CM,CN,CO,CS,CT,
                    CO,C1,DH,DI,DJ,DK,DL,DM,DN,DO,DS,DT,N3,N4,N8,
                    ...
                    CD9B,CD9C,CD9D,FC13,FC14,FC15,FC16,FC17,FC18,
                    FC19,FC1C,FC1D,FC1E,FC1F
                SHARED: 990F

```

Meaning of the output columns

VM-ID

Identifies the VM by means of VM index and VM name.

DISPOSABLE The devices can be assigned to a VM.

UNITS

The output of the devices assigned to a VM takes place VM-specifically in blocks: first the explicitly assigned devices (ASSIGNED BY VM-ADMIN), then the implicitly assigned devices (ASSIGNED BY GUEST). The output is grouped in accordance with the usage mode (EXCL/SHARED/KEEP). Empty blocks or groups are omitted.

The devices assigned to a VM are output in blocks on a VM-specific basis: first the explicitly assigned devices (BY VM-ADMIN), then the implicitly assigned devices (BY GUEST). The output is grouped in accordance with the usage mode (EXCL/SHARED/KEEP). Empty groups are omitted.

The device list is arranged in ascending order of the value range (two- or four-digit). The two-digit device names are output first, followed by the four-digit device names.

[390] For SU /390 the suffix (VC) identifies a device that is used or can be used as a virtual console (see [page 114](#)).

If the VM is not assigned to a device which corresponds to the command call, NO CORRESPONDING DEVICE ASSIGNED is output.

If UNITS=list-poss(28): <...> is specified (without the use of wildcards), an appropriate message is output for each device affected.

Output format for INFORMATION = *GS

The operand value *GS is obsolete. NO GS AVAILABLE is always output.

Output format for INFORMATION = *MEMORY (SU /390)

*Example (VM-ID=*VM2000)*

VM-ID	LOC-BEGIN	MEM-SIZE	MIN-MEM-S	MAX-MEM-S	DEST-MEM-S
HYPERVERSOR	00000000	16			
1 MONITOR	00000010	512	512		
2 SYSTEM2	00000210	128	128		
NONE	00000290	15216			
LARGEST FREE DOMAIN:		15216			

Meaning of the output columns

VM-ID

Identifies the VM by means of VM index and VM name.

NONE Main memory is not used by a VM (free main memory).

LARGEST FREE DOMAIN

Maximum free main memory for a new VM. Corresponds to the output in the last line in the case of INFORMATION=*STD, see [page 648](#).

LOC-BEGIN

Start address of the main memory area in Mbytes.

MEM-SIZE

Size of a free memory area in Mbytes or main memory of the VM in Mbytes.

MIN-MEM-S

Minimum size of the VM's main memory in Mbytes (for main memory reconfiguration).

MAX-MEM-S

Maximum size of the VM's main memory in Mbytes for main memory reconfiguration (SU x86). No output for SU /390.

DEST-MEM-S

Planned size of the VM's main memory in Mbytes when main memory reconfiguration is in progress.

When VM-IDENTIFICATION=*VM2000, the free memory areas are also output. In this case the output lines are arranged in ascending order of the start addresses of the memory areas. Otherwise they are arranged according to the VM index.

Output format for INFORMATION = *MEMORY (SU x86)*Example (VM-ID=*VM2000)*

VM-ID	BS2-MEM-S	MEM-SIZE	MIN-MEM-S	MAX-MEM-S	DEST-MEM-S
1 MONITOR	8084	8192	768	10000	
2 SYSTEM2	35420	36000	8192	65000	
FOREIGN VMS		16247			
FREE		67788			

Meaning of the output columns

VM-ID

Identifies the VM by means of VM index and VM name.

FOREIGN VMS Main memory size of the XenVMs (including domain 0).

FREE Free main memory for the new VMs. Corresponds to the output in the last line in the case of INFORMATION=*STD, see [page 648](#).

During the configuration of a VM, there is still a main memory area required for management data of the Xen hypervisor. This additional main memory is assigned automatically to a VM (siehe [page 314](#)). Consequently not all the main memory specified with FREE can be used for the VM.

BS2-MEM-S

Size of the main memory (without the VM's firmware component) which is available for BS2000 in Mbytes.

MEM-SIZE

Size of VM main memory in Mbytes.

MIN-MEM-S

Minimum size of the VM's main memory in Mbytes (for main memory reconfiguration).

MAX-MEM-S

Maximum size of the VM's main memory in Mbytes (for main memory reconfiguration).

DEST-MEM-S

Planned size of the VM's main memory in Mbytes when main memory reconfiguration is in progress.

When VM-IDENTIFICATION=*VM2000, the output lines are sorted according to the VM index in ascending order. The memory area of domain 0 and of the XenVMs (FOREIGN VMS) is subsequently output, as is the free memory for the new VMs (FREE).

Output format for INFORMATION = *MONJV*Example*

```

VM-ID          VM-MONJV
 2 SYSTEM2     :4IVK:$TSOS.JV-SYS2
 3 SYSTEM3     :4IVK:$TSOS.JV-SYS3

```

```

VM-ID          RECONF-MONJV
 2 SYSTEM2     :4IVK:$TSOS.JV-S2REC

```

```

VM-ID          MIGR-MONJV
 3 SYSTEM3     :4IVK:$TSOS.JV-S3MIG

```

Output lines are shown only for VMs which are monitored using a MONJV or which are explicitly specified in the command.

Meaning of the output columns

VM-ID

Identifies the VM by means of VM index and VM name.

VM-MONJV

File name of the MONJV for the VM.

NO VM-MONJV ASSIGNED No MONJV is defined for the MONJV.

RECONF-MONJV

File name of the MONJV for the main memory reconfiguration.

If no reconfiguration of the main memory is in progress or no MONJV has been defined for this, this output block is not output.

MIGR-MONJV

File name of the MONJV for the VM Migration.

If no VM Migration is in progress or no MONJV has been defined for this, this output block is not output.

Output format for INFORMATION = *PRIVILEGES*Example*

```

VM-ID      PRIV  DETAILS
 1 MONITOR  AG    *STDSET
           AS
 2 SYSTEM2  AS

```

Meaning of the output columns

VM-ID

Identifies the VM by means of VM index and VM name.

PRIV

Privileges of the VM.

NO PRIVILEGE

No privileges.

ADM

Command/function scope for VM2000 administrator (monitor VM) or VM administrator, see DETAILS.

AG

The VM has the ASSIGN-BY-GUEST privilege. The list of the assignment sets assigned is output in DETAILS.

AS

AUTO-SNAP-ASSIGNMENT=*YES (default).

IO-P

IO-PRIORITY=*YES.

IO-R

IO-RESET=*YES.

DETAILS

Supplementary information on the privileges:

For PRIV=ADM

*VM2000-MIN ADMIN-PRIVILEGES=*MIN for the monitor VM

*VM-MAX ADMIN-PRIVILEGES=*MAX for a VM other than the monitor VM

└

Standard command/function scope

For PRIV=AG

*ALL ASSIGN-BY-GUEST=*YES(SET-NAME=*ALL)

*EXCEPT: set1, set2, ...

ASSIGN-BY-GUEST=*YES(SET-NAME=*EXCEPT(...))

set1, set2, ...

ASSIGN-BY-GUEST=*YES(SET-NAME=<list>)

Output format for INFORMATION = *CONFIGURATION*Example (SU /390)*

```

MAX NUMBER OF VMS                15
MAX NUMBER OF VM-GROUPS          8
MAX NUMBER OF CPU-POOLS          4
MAX NUMBER OF CPUS PER VM        4
TOTAL REAL MEMORY SIZE (MB)      15872
ASSIGNMENT SET   DEFAULT VALUE:  *NONE
                  NEW DEVICES   :  *NONE

CPU-ATTR      CPU-POOL      REAL CPUS
NORMAL        *STDPOOL      00(ATT),01(ATT),02(ATT),03(ATT)
EXTRA         NONE
SPARE         04(DET)

```

Meaning of the output lines

The following configuration data of the Server Unit is displayed:

- the maximum number of VMs that can be created
- the maximum possible number of VM groups that can be created
- the maximum possible number of CPU pools for VM2000
- the maximum number of virtual CPUs for a VM (multiprocessor level) which may be selected explicitly for a VM
- the size of the main memory in Mbytes
- Default value for the implicit device assignment (*NONE / *STDSET). The default value corresponds to the VM2000 parameter ASSIGN-BY-GUEST=*NQ / *YES (SU /390). On SU x86 the default value is always *NONE.
- Default value for the implicit device assignment for new devices (dynamic configuration modification) (*NONE / *STDSET / <name 1..8>). The default value corresponds to the VM2000 parameter ASSIGN-BY-GUEST=*NQ / *YES (SU /390), provided this has not been modified by means of /MODIFY-VM-DEVICE-ATTRIBUTES UNITS=*NEW-DEVICES.
- information on the real CPUs.
For a description of this output format see [page 650](#).

Example (SU /390)

```

/show-vm-resources information=*all _____ (1)
      CPU-POOL(P)
VM-ID   VM-GROUP(G) CPU-Q   MAX-U  PROC   MEM-SIZE  MAX-IO  _____ (2)
  1 MONITOR *STDPOOL(P) 30.00  100.00 1(+1)    512  (100)
  2 SYSTEM2 *STDPOOL(P) 30.00  100.00 1(+1)    128  (100)

VM-ID   STATE           VERSION PER ADMIN PRIV  _____ (3)
  1 MONITOR RUNNING          V11.0A NO  YES  AG,AS
  2 SYSTEM2 RUNNING          V10.0A NO  NO   AS

F R E E   VM: 13           LARGEST-DOMAIN(MB): 15216

VM-ID   CPU-POOL  GR-CPU-Q  CPU-Q/  EFF-Q  MAX-U/  EFF-U  PROC  _____ (4)
  1 MONITOR *STDPOOL          30.00/ 25.00 100.00/ 25.00 1(+1)
  2 SYSTEM2 *STDPOOL          30.00/ 25.00 100.00/ 25.00 1(+1)

VM-ID   SCHED ACT-I  VIRT CPUS  _____ (5)
  1 MONITOR DC    NO    00(RUN),01(SLEEP)
  2 SYSTEM2 DC    NO    00(RUN),01(SLEEP)

CPU-ATTR CPU-POOL  REAL CPUS  _____ (6)
NORMAL   *STDPOOL  00(ATT),01(ATT),02(ATT),03(ATT)
EXTRA    NONE
SPARE    04(DET)

VM-ID   VM-MONJV  _____ (7)
  2 SYSTEM2 :4IVK:$TSOS.MONJV-SYSTEM2

VM-ID   UNITS  _____ (8)
  1 MONITOR ASSIGNED BY VM-ADMIN
      EXCL: C2,C3,C4,C5,9900,9901,9902,CC40,CC41,CC80,
            CC81,CD40,CD41,CD80,CD81,FC10,FC11,FC12
      SHARED: 990F
  2 SYSTEM2 ASSIGNED BY VM-ADMIN
      EXCL: CH,CI,CC42,CC43,CD42,CD43,FC1A,FC1B
DISPOSABLE UNASS: CA(VC),CB(VC),CC(VC),CJ,CK,CL,CM,CN,CO,CS,CT, _____ (9)
            CO,C1,DH,DI,DJ,DK,DL,DM,DN,DO,DS,DT,N3,N4,N8, _____ (10)
            ...
            CD9B,CD9C,CD9D,FC13,FC14,FC15,FC16,FC17,FC18,
            FC19,FC1C,FC1D,FC1E,FC1F
      SHARED: 990F

VM-ID   PARTITION-ID ATTR  GS-SIZE  MODE  STATUS
      NO GS AVAILABLE
    
```

```

VM-ID          LOC-BEGIN  MEM-SIZE  MIN-MEM-S  MAX-MEM-S  DEST-MEM-S  —— (11)
HYPERVISOR    00000000          16
 1 MONITOR    00000010          512          512
 2 SYSTEM2    00000210          128          128
NONE          00000290         15216
LARGEST FREE DOMAIN:          15216

```

```

VM-ID          PRIV      DETAILS  ————— (12)
 1 MONITOR    AG        *STDSET
              AS
 2 SYSTEM2    AS

```

- (1) The VM2000 administrator queries the status of all VM2000 resources.
- (2) List of attributes of all VMs. Each VM is also assigned a virtual spare CPU.
- (3) List of statuses for the VMs set up. Up to 13 further VMs can be set up. The largest free main memory size for a new VM is 15216 Mbytes.
- (4) Overview of the assignment of VMs to CPU pools and VM groups, and of the shares of Server Unit CPU capacity specified by means of command and calculated by VM2000.
- (5) List of virtual normal and spare CPUs.
- (6) List of real normal, extra and spare CPUs.
- (7) VM2 is monitored with a MONJV.
- (8) List of devices assigned.
- (9) List of free devices, arranged by usage mode. Possible virtual consoles are identified by the suffix (VC).
- (10) In the device lists the 2-digit mnemonic device names come first, followed by the 4-digit names.
- (11) Distribution of the VM's main memories in VM2000 main memory.
- (12) Privileges of the VMs.

SHOW-VM-STATUS

Output VM2000 monitored data

`/SHOW-VM-STATUS` is used to output the current planned values and the current monitored data for active objects once only or periodically in ongoing VM2000 operation.

Active objects comprise attached normal and extra CPUs, active VMs, CPU pools with attached real CPUs, and VM groups with active VMs (see [page 293](#)).

The monitored data is output once only or periodically:

- The one-off output of monitored data (`PERIOD=*RECENT(...)`) takes place synchronously to command execution and shows the monitored data from the immediate past. For this purpose the VM2000 monitor collects the current monitored data periodically (every 20 seconds). This data is kept for up to one hour. The one-off output can be called by multiple VM2000 administrators simultaneously, also in parallel to the periodic output of monitored data. Monitored data is output only for VMs, VM groups and CPU pools which existed at the time the command was entered.
- The periodic output of monitored data (`PERIOD=<integer>`) takes place asynchronously wherever the corresponding `/SHOW-VM-STATUS` command was entered. The periodic output cannot be used by more than one VM2000 administrator simultaneously.

The periodic output is terminated by entering a new `/SHOW-VM-STATUS PERIOD=*NO` command from the same input medium (ADMIN dialog of the monitor VM or BS2000 console) or by terminating the associated ADMIN dialog or BS2000 console.

The periodic output is also aborted by deleting a CPU pool or a VM group or by terminating a VM if the command was entered explicitly for this CPU pool (by means of `VM-ID` or `CPU-ID`), this VM group or this VM.

When one VM or multiple VMs are selected (by specifying wildcards), the periodic output is terminated if the specified VM is terminated or if no VM from the selected set exists.

The command outputs information in relation to the attached real CPUs and the active VMs and the created VM groups and CPU pools:

- Current planned values for distributing the CPU capacity of and the CPU time used by the virtual machines. Effective planned values under ideal conditions for active and inactive objects are displayed using `/SHOW-VM-ATTRIBUTES/-RESOURCES` (see [page 284](#)).

On SU /390 the following information is also supplied:

- CPU time used and the IDLE time of the VM2000 hypervisor
- Number of events handled via the VM2000 hypervisor
- Values for scheduling by VM2000

This command is reserved for the VM2000 administrator.

SHOW-VM-STATUS

```

INFORMATION = *STD / *TIMER / *COUNTER / *SCHEDULE / *ALL
,PERIOD = *NO / *RECENT(...) / <integer 5..3600> seconds
  *RECENT(...)
    | SECONDS = <integer 1..3600> seconds
,VM-IDENTIFICATION = *ALL / <integer 1..99> / <name 1..8 with-wild(20)>
    *NONE / *BY-VM-GROUP(...) / *BY-CPU-POOL(...)
  *BY-VM-GROUP(...)
    | VM-GROUP-NAME = <name 1..8>
  *BY-CPU-POOL(...)
    | CPU-POOL-NAME = *STDPOOL / <name 1..8>
,CPU-IDENTIFICATION = *STD / *NONE / *ALL / list-poss(64):<x-text 1..2> / *BY-CPU-POOL(...)
  *BY-CPU-POOL(...)
    | CPU-POOL-NAME = *BY-VM-IDENTIFICATION / *STDPOOL / <name 1..8>

```

INFORMATION =

Specifies the output information.

INFORMATION = *STD

The default value is used (*TIMER).

INFORMATION = *TIMER

The CPU time utilized or the IDLE time and the current planned values are output.

INFORMATION = *COUNTER

The number of events is output (SU /390).

INFORMATION = *SCHEDULE

The values for scheduling are output (SU /390).

INFORMATION = *ALL

All information for the outputs *TIMER, *COUNTER and *SCHEDULE.

PERIOD =

Defines the intervals at which output is to occur.

PERIOD = *NO

Terminates periodical collection of monitored data and the current output of /SHOW-VM-STATUS PERIOD=<seconds>. Other operands are not relevant in this case.

PERIOD = *RECENT(...)

Triggers one-off output of the monitored data from the immediate past.

SECONDS = <integer 1..3600> seconds

Period (in seconds) for which the monitored data is output.



If VM2000 operation has not run this long, the monitored data from the shorter period is output.

PERIOD = <integer 5..3600> seconds

Starts periodic collection of monitored data and defines the period (in seconds) during which the monitored data is gathered and then output.

VM-IDENTIFICATION =

Identification of the virtual machine.

VM-IDENTIFICATION = *ALL

Information on all active virtual machines is output.

VM-IDENTIFICATION = *NONE

No information on the active virtual machines is output (SU /390).

VM-IDENTIFICATION = <integer 1..99> / <name 1..8 with-wild(20)>

Identifies the virtual machine by means of a VM index or VM name.

VM-IDENTIFICATION = *BY-VM-GROUP(...)

Information is output for all active VMs which belong to the VM group (SU /390).

VM-GROUP-NAME = <name 1..8>

Name of the VM group.

VM-IDENTIFICATION = *BY-CPU-POOL(...)

Information is output for all active VMs which belong to the CPU pool.

CPU-POOL-NAME = *STDPOOL / <name 1..8>

Name of the CPU pool.

CPU-IDENTIFICATION =

Selects the real CPUs.

CPU-IDENTIFICATION = *STD

[390] When VM-IDENTIFICATION=*ALL / *NONE, information is output on all attached real CPUs. Otherwise no information on real CPUs is output (operand value provided for reasons of compatibility with earlier VM2000 versions).

[x86] No information on real CPUs is output.

CPU-IDENTIFICATION = *ALL

Information on all attached real CPUs is output (SU /390).

CPU-IDENTIFICATION = *NONE

No information on real CPUs is output.

CPU-IDENTIFICATION = list-poss(64):<x-text 1..2>

Information on the specified real CPUs is output (SU /390).

CPU-IDENTIFICATION = *BY-CPU-POOL(...)

Information on the attached real CPUs in a CPU pool is output (SU /390).

CPU-POOL-NAME =

Selects the CPU pool.

CPU-POOL-NAME = *BY-VM-IDENTIFICATION

The CPU pools to which the VMs are assigned (VM-IDENTIFICATION operand) are selected.

CPU-POOL-NAME = *STDPOOL / <name 1..8>

Name of the CPU pool.

Command return code, see also [page 431](#)

(SC2)	SC1	Maincode	Bedeutung
	0	CMD0001	Command successfully executed
1	0	CMD0001	No action required (not when PERIOD=*RECENT)
2	0	VMS4403	The VM group is assigned no VM (not with PERIOD=*RECENT)
2	0	VMS4603	The CPU pool is assigned no CPU (not with PERIOD=*RECENT)
2	0	VMS4613	The CPU pool is assigned no VM (not with PERIOD=*RECENT)
	64	VMS3002	Invalid operand value (CPU-IDENTIFICATION)
	64	VMS3015	Monitoring data collection already started
	64	VMS3018	No monitoring object specified
	64	VMS3019	No VM with appropriate name found
	64	VMS4000	VM not yet created
	64	VMS4043	CPU not known in system
	64	VMS4400	VM group not yet created
	64	VMS4600	CPU pool not yet created

Output format for INFORMATION = *STD / *TIMER

The output consists of two information blocks:

- CPU TIMER INFORMATION FOR REAL CPU(S) (SU /390)
The CPU-specific information block provides information on time values (actual values for CPU time utilization) of the CPU pools and their attached real CPUs. The information lines are grouped according to CPU pools, and in these according to the CPU-IDs.
- CPU TIMER INFORMATION FOR VM(S)
The VM-specific information block provides information on current planned values and time values (actual values for CPU time utilization) of the CPU pools, the VM groups (SU /390), the running VMs and their active virtual CPUs (SU /390). The information lines are grouped according to CPU pools, and in these according to VMs which do not belong to a VM group, and VM groups. The virtual CPUs of a VM are arranged according to the CPU-IDs.

Any changes during the monitoring period are marked on the left of the corresponding value lines with * or # to indicate monitored data that has possibly been corrupted.

- * indicates changes which can result in falsified monitored data for ACTIVE or IDLE times. These were triggered by:
 - attaching or detaching a real CPU in a CPU pool
 - assigning or removing an (individual) VM or VM group to or from a CPU pool
 - assigning or removing a real (individual) VM to or from a CPU pool
 and on SU /390 by:
 - change of status of a virtual CPU from or to RUNNING status
 - assigning or removing a VM to or from a VM group
 - assigning or removing a VM group to or from a CPU pool
- # indicates explicit or implicit changes to the current CPU share (CUR-Q) or to the maximum CPU utilization (CUR-U). ACTIVE times then no longer need match the planned values.

When * and # apply for a values line, * is output.

If the command was specified explicitly for a CPU pool, a VM group, a VM or a real CPU but no real or virtual CPUs are active or belong to the pool, a corresponding message (NO CPU ACTIVE) is output in the information line.

Example of the CPU-specific information block (SU /390)

CPU TIMER INFORMATION FOR REAL CPU(S)

CPU-POOL	REAL	HPV-ACTIVE		HPV-IDLE		ALL-VMS-ACTIVE	
	CPU	TIME/	%	TIME/	%	TIME/	%
*STDPPOOL		0.091/	0.07	124.929/	99.66	0.338/	0.27
	00	0.087/	0.14	62.266/	99.34	0.326/	0.52
	01	0.004/	0.01	62.663/	99.97	0.012/	0.02
EXCLPOOL		0.066/	0.05	0.000/	0.00	125.292/	99.95
	02	0.033/	0.05	0.000/	0.00	62.646/	99.95
	03	0.033/	0.05	0.000/	0.00	62.646/	99.95

Meaning of the output columns

CPU-POOL

Name of the CPU pool.

*STDPPOOL **Outputs for the standard CPU pool.**

REAL CPU

Real CPU identifier (CPU-ID).

HPV-ACTIVE TIME / %

CPU time utilized by the VM2000 hypervisor for the CPU pool or for the real CPU in the form of an absolute value (in seconds) and a percentage value of the CPU capacity of the CPU pool or of the real CPU.

HPV-IDLE TIME / %

IDLE time of the VM2000 hypervisor for the CPU pool or for the real CPU in the form of an absolute value (in seconds) and a percentage value of the CPU capacity of the CPU pool or of the real CPU.

ALL-VMS-ACTIVE TIME / %

CPU time utilized by all VMs for the CPU pool or for the real CPU in the form of an absolute value (in seconds) and a percentage value of the CPU capacity of the CPU pool or of the real CPU.

Example of the VM-specific information block (SU /390)

```

CPU TIMER INFORMATION FOR VM(S)
CPU-POOL
  VM-GROUP  VIRT   CPU-Q   CUR-Q   CUR-U           VM - ACTIVE
  VM-ID      CPU
*STDPOOL(P)
  1 MONITOR           20.00  25.00  25.00    0.331/  0.13
           00           0.319/  0.12
  EXTGROUP(G)       80.00  25.00  25.00    0.012/  0.00
  2 SYSTEM2         70.00  25.00  25.00    0.012/  0.00
           00           0.012/  0.00
EXCLPOOL(P)
  4 SYSTEM4           1.00  50.00  50.00   125.351/ 49.99
           00           62.676/ 24.99
           01           62.675/ 24.99

```

Meaning of the output columns

CPU-POOL

Identifies a CPU pool by its name (suffix: (P)).

VM-GROUP

VM-ID

Identifies a VM group (suffix: (G)) by its name or a VM by the VM index and VM name.

VIRT CPU

Identifier of the VM's virtual CPU (CPU-ID).

CPU-Q

CPU quota of the VM or VM group or member CPU quota of the VM in the VM group, set by means of command.

CUR-Q

Calculated current CPU share of the VM, VM group or CPU pool (current anticipated CPU utilization if all VMs were CPU-intensive).

For a CPU pool: Identical to CUR-U.

For a VM group: Relative to the Server Unit's current CPU capacity.

For a VM: Relative to the Server Unit's current CPU capacity. Identical to the planned value in the VM2000 report of openSM2.

CUR-U

Calculated current maximum CPU utilization of the VM, VM group or CPU pool.

For a CPU pool according to the formula: Number of attached CPUs in the CPU pool / number of attached Server Unit CPUs (in percent).

For a VM group: Current maximum CPU utilization of the VM group.

For a VM: Current maximum CPU utilization of the VM. Identical to the UTIL value in the VM2000 report of openSM2.

VM-ACTIVE TIME / %

CPU time utilized as an absolute value (in seconds) and as a percentage value (actual values).

For a CPU pool:

Total CPU times of all VMs in the CPU pool. Percentage value relative to the current Server Unit CPU capacity.

For a VM group:

Total CPU times of all VMs in the VM group. Percentage value relative to the current Server Unit CPU capacity.

For a VM:

Total CPU times of all the VM's active virtual CPUs. Percentage value relative to the current Server Unit CPU capacity.

For a virtual CPU:

CPU time of the virtual CPU. Percentage value relative to the current Server Unit CPU capacity.

Example of the VM-specific information block (SU x86)

```

CPU TIMER INFORMATION FOR VM(S)
CPU-POOL  NUM OF  CPU-Q  CUR-Q  CUR-U      VM - ACTIVE
  VM-ID      CPUS
*POOL0      6                47.245/ 12.12
*STDPOOL    8                7.900/  1.52
  1 MONITOR  2   25.00  25.00  25.00    1.487/  0.28
  2 ABGAFR02 8    5.00   6.81 100.00    2.182/  0.41
  3 ABGAFR03 4   10.00  13.63  50.00    1.732/  0.33
  5 ABGAFR05 8   40.00  54.54 100.00    2.455/  0.47

```

Meaning of the output columns

CPU-POOL

Identifies a CPU pool by means of its name.
The pool of domain 0 is named *POOL0.

VM-ID

Identifies a VM by means of VM index and VM name.

NUM OF CPUS

Number of real CPUs currently available in this CPU pool or number of active virtual CPUs of the VM.

CPU-Q

CPU quota of the VM, set by means of a command.

CUR-Q

Calculated current CPU share of the VM or of the CPU pool (current expected CPU utilization if all VMs were CPU-intensive).

For a CPU pool (with the exception of *POOL0): identical to CUR-U.

For a VM: Relative to the Server Unit's current CPU capacity Identical to the PLAN value of the VM2000 report of openSM2.

CUR-U

Calculated current maximum CPU utilization of the VM or of the CPU pool.

For a CPU pool (with the exception of *POOL0), according to the formula: Number of attached CPUs in the CPU pool / Number of attached CPUs of the Server Unit (in percent).

For a VM: Current maximum CPU utilization of the VM. Identical to the UTIL value in the VM2000 report of openSM2.

VM-ACTIVE TIME / %

CPU time utilized as an absolute value (in seconds) and as a percentage value (actual values).

For a CPU pool:

Total CPU times of all VMs in the CPU pool.

Percentage value relative to the current Server Unit CPU capacity.

For a VM:

CPU time of the VM (measured by Xen).

Percentage value relative to the current Server Unit CPU capacity.

Output format for INFORMATION = *COUNTER (SU /390)

The output consists of two information blocks:

- **CPU COUNTER INFORMATION FOR REAL CPU(S)**
The CPU-specific information block provides information on counter values of the attached real CPUs.
The information lines are grouped according to CPU pools, and in these according to the CPU-IDs.
- **CPU COUNTER INFORMATION FOR VM(S)**
The VM-specific information block provides information on counter values of the active virtual CPUs of the running VMs.
The information lines are grouped according to CPU pools, and in these according to VMs. The virtual CPUs of a VM are arranged according to the CPU-IDs.

Any changes during the monitoring period are marked in the appropriate place with * to indicate monitored data that has possibly been corrupted, see [page 664](#).

Example of the CPU-specific information block

```
CPU COUNTER INFORMATION FOR REAL CPU(S)
CPU-POOL   REAL    I-O INT.  INTERCEPT.  EMULATION      SCHEDULE
           CPU     COUNT/ %   COUNT/ %      COUNT/ %      COUNT/ %
*STDPOOL   00      429/100   1325/ 50      4/100         1325/ 50
           01          0/ 0      63/ 2         0/ 0          63/ 2
EXCLPOOL   02          0/ 0      633/ 24       0/ 0          633/ 24
           03          0/ 0      633/ 24       0/ 0          633/ 24
```

Meaning of the output columns

Percentage values in the CPU-specific information block relate to the total of the values for all attached real CPUs of the Server Unit.

CPU-POOL

Name of the CPU pool to which the real CPU belongs.

*STDPOOL The CPU belongs to the standard CPU pool.

REAL CPU

Real CPU identifier (CPU-ID).

I-O INT. COUNT / %

Number/percentage of I/O interrupts handled for a VM via the VM2000 hypervisor.

INTERCEPT. COUNT / %

Number/percentage of interrupt events which were not caused by a command emulation and which lead to a switch from VM mode to VM2000 hypervisor mode.

EMULATION COUNT / %

Number/percentage of command emulations handled for a VM via the VM2000 hypervisor.

SCHEDULE COUNT / %

Number/percentage of time slice allocations to a VM.

Example of the VM-specific information block

CPU COUNTER INFORMATION FOR VM(S)

CPU-POOL	VIRT	I-O	INT.	INTERCEPT.	EMULATION	SCHEDULE	
VM-ID	CPU	COUNT/	%	COUNT/	%	COUNT/	%
*STDPOOL							
1	MONITOR	00	429/100	1325/ 50	4/100	1325/ 50	
2	SYSTEM2	00	0/ 0	63/ 2	0/ 0	63/ 2	
EXCLPOOL							
4	SYSTEM4	00	0/ 0	633/ 24	0/ 0	633/ 24	
		01	0/ 0	633/ 24	0/ 0	633/ 24	

Meaning of the output columns

Percentage values in the VM-specific information block relate to the total of the values for all active virtual CPUs of all VMs.

CPU-POOL

VM-ID

Identifies a CPU pool by means of its name or a VM by means of the VM index and VM name.

VIRT CPU

Virtual CPU identifier (CPU-ID).

NO CPU ACTIVE No virtual CPU of the VM has run in this time period.

I-O INT. COUNT / %

Number/percentage of I/O operations handled for the virtual CPU via the VM2000 hypervisor.

INTERCEPT. COUNT / %

Number/percentage of interrupt events which were not caused by a command emulation and which lead to a switch from VM mode to VM2000 hypervisor mode for the virtual CPU.

EMULATION COUNT / %

Number/percentage of command emulations handled for the virtual CPU via the VM2000 hypervisor.

SCHEDULE COUNT / %

Number/percentage of time slice allocations to the virtual CPU.

Output format for INFORMATION = *SCHEDULE (SU /390)

The output consists of two information blocks:

- **CPU SCHEDULE INFORMATION FOR REAL CPU(S)**
The CPU-specific information block provides information on scheduling values of the attached real CPUs.
The information lines are grouped according to CPU pools, and in these according to the CPU-IDs.
- **CPU SCHEDULE INFORMATION FOR VM(S)**
The VM-specific information block provides information on scheduling values of the active virtual CPUs of the running VMs.
The information lines are grouped according to CPU pools, and in these according to VMs. The virtual CPUs of a VM are arranged according to the CPU-IDs.

Any changes during the monitoring period are marked in the appropriate place with * to indicate monitored data that has possibly been corrupted, see [page 664](#).

Example of the CPU-specific information block

```
SCHEDULE INFORMATION FOR REAL CPU(S)
CPU-POOL    REAL    <-- TIME SLICE  -->  NON-AFFIN SCHED
              CPU      AVG %RUNOUT %SHORT  %IDLE %LOAD
*STDPOOL    00      0.24      1      62  DEDICATED SCHED
              01      0.19      0      0   DEDICATED SCHED
EXCLPOOL    02      VM-ACTIVE-IDLE  DEDICATED SCHED
              03      VM-ACTIVE-IDLE  DEDICATED SCHED
```

Meaning of the output columns

Percentage values in the CPU-specific information block relate to the total of the values for all scheduling procedures of the real CPUs.

CPU-POOL

Name of the CPU pool to which the real CPU belongs.

*STDPOOL The CPU belongs to the standard CPU pool.

REAL CPU

Real CPU identifier (CPU-ID).

TIME SLICE AVG

Average value of the time slices (in milliseconds) of the virtual CPUs on the real CPU.

TIME SLICE %RUNOUT

Percentage value of the completely used time slices of the virtual CPUs.

TIME SLICE %SHORT

Percentage value of the little-used time slices of the virtual CPUs (value less than 0.1 milliseconds or less than a tenth of the time slice).



In the event of fixed CPU assignment (scheduling procedure “dedicated CPUs”), the value `VM-ACTIVE-IDLE` is output in the `<-- TIME SLICE -->` column if this parameter is effective for the VM.

NON-AFFIN SCHED %IDLE

Percentage value of the non-CPU-affined scheduling operations on the real CPU for avoiding an IDLE status of the real CPU despite executable (non-affined) virtual CPUs.

NON-AFFIN SCHED %LOAD

Percentage value of the non-CPU-affined scheduling operations on the real CPU for an orderly distribution of the CPU capacity.



In the event of fixed CPU assignment (scheduling procedure “dedicated CPUs”), the value `DEDICATED SCHED` is output in the `NON-AFFIN SCHED` column.

Example of the VM-specific information block

SCHEDULE INFORMATION FOR VM(S)

CPU-POOL	VIRT	<--	TIME SLICE	-->	NON-AFFIN SCHED	%WAIT		
VM-ID	CPU	DEF	AVG %RUNOUT	%SHORT	%IDLE %LOAD	TIME		
*STDPPOOL								
1	MONITOR	00	8.00	0.24	1	62	DEDICATED SCHED	--
2	SYSTEM2	00	8.00	0.19	0	0	DEDICATED SCHED	--
EXCLPOOL								
4	SYSTEM4	00	99.00	VM-ACTIVE-IDLE			DEDICATED SCHED	--
		01		VM-ACTIVE-IDLE			DEDICATED SCHED	--

Meaning of the output columns

Percentage values in the VM-specific information block relate to the total of the values for all scheduling operations for a virtual CPU.

CPU-POOL

VM-ID

Identifies a CPU pool by means of its name or a VM by means of the VM index and VM name.

VIRT CPU

Virtual CPU identifier (CPU-ID).

TIME SLICE DEF

Current length of the time slice provided (see [page 297](#)).

TIME SLICE AVG

Average value of the time slices (in milliseconds) of the virtual CPU on a real CPU.

TIME SLICE %RUNOUT

Percentage value of the completely used time slices on the virtual CPU.

TIME SLICE %SHORT

Percentage value of the little-used time slices of the virtual CPU (value less than 0.1 milliseconds or less than a tenth of the time slice).



In the event of fixed CPU assignment (scheduling procedure “dedicated CPUs”), the value `VM-ACTIVE-IDLE` is output in the `<-- TIME SLICE -->` column if this parameter is effective for the VM.

NON-AFFIN SCHED %IDLE

Percentage value of the non-CPU-affined scheduling operations for the virtual CPU for avoiding unnecessary IDLE statuses of real CPUs.

NON-AFFIN SCHED %LOAD

Percentage value of the non-CPU-affined scheduling operations for the virtual CPU for an orderly distribution of the CPU capacity.



In the event of fixed CPU assignment (scheduling procedure “dedicated CPUs”), the value `DEDICATED SCHED` is output in the `NON-AFFIN SCHED` column.

%WAIT TIME

Wait time of the operable virtual CPU because no real CPU could be assigned (as a percentage of the length of the monitoring interval). Measurement for “delaying the VM”.

Example

One-off information output

See the detailed [“Example of CPU management”](#) on page 298.

Periodic information output on a BS2000 console

```

/show-vm-status information=*all,period=60 ----- (1)
VMS3016 PERIODIC OUTPUT OF MONITORING DATA STARTED
VMS3000 VM2000 COMMAND /SHOW-VM-STATUS FOR VIRTUAL MACHINE ( ,*ALL)
        PROCESSED SUCCESSFULLY
NBR0740 COMMAND COMPLETED 'SHOW-VM-STATUS';
        (RESULT: SC2=000, SC1=000, MC=CMD0001); DATE: <date>
...
/show-vm-status data output: (PERIOD= 60.003 SEC) ----- (2)
CPU TIMER INFORMATION FOR REAL CPU(S)
CPU-POOL  REAL      HPV-ACTIVE      HPV-IDLE  ALL-VMS-ACTIVE
          CPU       TIME/    %      TIME/    %      TIME/    %
*STDPOOL          3.401/ 2.83    107.121/89.26    9.484/ 7.90
... (output abbreviated)
... ----- (3)
/show-vm-status period=*no ----- (4)
/show-vm-status data output: (PERIOD= 48.944 SEC)
CPU TIMER INFORMATION FOR REAL CPU(S)
CPU-POOL  REAL      HPV-ACTIVE      HPV-IDLE  ALL-VMS-ACTIVE
          CPU       TIME/    %      TIME/    %      TIME/    %
*STDPOOL          3.748/ 3.83    76.524/78.18    17.616/18.00
... (output abbreviated)
VMS3029 PERIODIC OUTPUT OF MONITORING DATA TERMINATED
VMS3000 VM2000 COMMAND /SHOW-VM-STATUS FOR VIRTUAL MACHINE ( ,*ALL)
        PROCESSED SUCCESSFULLY
NBR0740 COMMAND COMPLETED 'SHOW-VM-STATUS';
        (RESULT: SC2=000, SC1=000, MC=CMD0001); DATE: <date>

```

- (1) The VM2000 administrator starts data collection for all VMs with a time period of 60 seconds.
- (2) The first measured values are output after approx. 60 seconds.
- (3) Further periodic outputs of monitored data follow.
- (4) Data collection is terminated. The remaining measured values are output.



The outputs are displayed asynchronously on a terminal. The output of the measured values is initiated only when an entry which is not empty (e.g. the /REMARK command) is made.

SHUTDOWN-VM

Execute a shutdown in the guest system and for VM2000

`/SHUTDOWN-VM` is used to execute a shutdown (without a restart) in the selected guest systems.

The shutdown can be executed for the whole VM2000 system (all guest systems and the monitor system), for all guest systems or an individual guest system (with the exception of the monitor system).

The shutdown cannot be executed in a VM's guest system while the VM is being migrated (VM Migration).



Information on command execution is provided on [page 170](#).



VM2000 operation can also be terminated (analogously to coordinated shutdown) on the SU x86 via the SE Manager, see [section “Terminating the monitor system and VM2000” on page 81](#).

SHUTDOWN-VM

VM-IDENTIFICATION = *CURRENT / *VM2000(...) / *VM-GUESTS / <integer 1..99> / <name 1..8>

*VM2000(...)

 | **WAITING-TIME** = *UNLIMITED / <integer 1..60> *minutes*

,ACTION = *SHUTDOWN(...) / *ENTER-JOB

*SHUTDOWN(...)

 | **QUIET-TIME** = <integer 0..60> *minutes*

VM-IDENTIFICATION =

Identification of the virtual machine for whose guest system the shutdown is to be executed.

VM-IDENTIFICATION = *CURRENT

The VM identification assigned previously by means of /BEGIN-VM-DIALOG is used.

VM-IDENTIFICATION = *VM2000(...)

The shutdown is to be coordinated and executed for the overall VM2000 system (with all guest systems). The shutdown is initiated for all guest systems. The monitor system is the last system to be shut down. All VMs are also terminated.

The coordinated shutdown for the entire VM2000 system cannot be executed while a VM is being migrated (VM Migration).

WAITING-TIME =

Determines the maximum time which is to be waited (before the monitor system is terminated) for all virtual machines to have the status INIT-ONLY or DOWN. The wait time begins with the start of the enter jobs or when shutdown processing is initiated (MODE=*END) in the guest systems. In this period the monitor system continues to operate regularly. VM2000 commands can also still be entered, see [page 169](#).



The maximum wait time selected should be greater than the longest SHUTCTL wait time in the guest systems, see system parameter SHUTCTL in the “Introduction to System Administration” [2]. The guest systems can consequently be shut down before the monitor system.

WAITING-TIME = *UNLIMITED

The monitor system waits for the other guest systems to shut down for an unlimited period before it shuts down itself.



This operand value is rejected if a VM is in the IN HOLD (WAIT) status.

WAITING-TIME = <integer 1..60> minutes

Time in minutes during which the guest system remains in QUIET status before it is shut down.

All guest systems (with the exception of the monitor system) are explicitly shut down after the wait time has elapsed using /DELETE-VM CHECK-VM-STATE=*NO regardless of their status.

VM-IDENTIFICATION = *VM-GUESTS

The shutdown is to be executed for all guest systems, with the exception of the monitor system, and for guest systems on VMs for which a VM Migration is currently running.

VM-IDENTIFICATION = <integer 1..99> / <name 1..8>

Identifies the virtual machine by means of a VM index or VM name.

ACTION =

Defines the method for system shutdown of a guest system.

ACTION = *SHUTDOWN(...)

The system shutdown of a guest system is implemented by VM2000 by calling shutdown processing (analogously to the BS2000 command `/SHUTDOWN`). The operator on the guest system is informed of this by the message NRT1201.

QUIET-TIME =

Time in minutes during which the guest system remains in QUIET status before it is shut down.

- [390]** On SU /390 the VM definitions are still processed by VM2000 when shutdown takes place. For this action BCAM must still be active in the monitor system. Consequently, when the combined shutdown of VM2000 takes place (`/SHUTDOWN-VM VM-ID=*VM2000(. . .)`, see the example on [page 84](#)), the `QUIET-TIME=0` operand should be selected.

QUIET-TIME = 0

System shutdown is initiated immediately.

QUIET-TIME = <integer 1..60> *minutes*

System shutdown is executed in two steps:

1. The system is initially placed in QUIET status:
 - All interactive users of the system are informed of the impending system shutdown
 - Job acceptance is terminated
 - New users are no longer admitted

The guest system remains in this status for the defined QUIET-TIME. The operator on the guest system is informed of the length of the QUIET-TIME.
2. After the QUIET-TIME has elapsed, the final system shutdown is initiated.

ACTION = *ENTER-JOB

The system shutdown of a guest system is to be implemented by an enter job. The command file is expected in the `$TSOS.SYS.VM.SHUTDOWN` file in the guest system. The last action of the customer specific preparations must be the BS2000 command `/SHUTDOWN MODE=*NO / *END(RESTART=*NO)`. The privilege OPERATING is required for the execution of `/SHUTDOWN` (see [page 94](#)).

Command return code, see also [page 431](#)

(SC2)	SC1	Maincode	Bedeutung
	0	CMD0001	Command successfully executed
			Shutdown successfully initiated
1	0	CMD0001	No action required
2	0	VMS2104	VM2000 is shut down; at least one VM is in the IN HOLD (WAIT) status
	64	VMS2055	Shutdown of guest system not acknowledged
	64	VMS2056	Shutdown for guest system already in progress
	64	VMS2057	Shutdown for VM rejected; no suitable guest system is running
	64	VMS2058	Shutdown of guest system rejected or acknowledged with warnings
	64	VMS2070	VM in the IN HOLD (WAIT) state
	64	VMS2101	VM2000 shutdown in progress
	64	VMS2102	Shutdown for VM2000 rejected; monitor system unsuitable
	64	VMS2103	Unlimited waiting for shutdown of an unsuitable guest system not permitted
	64	VMS2105	/ENTER-JOB cannot be executed in the guest system
	64	VMS4000	VM not yet created
	64	VMS9005	Command could not be processed or could only be partially processed (VM-ID=*VM-GUESTS)
	128	VMS3042	VM being migrated

Guaranteed messages

VMS2054, VMS2055, VMS2056, VMS2057, VMS2058, VMS2070, VMS2100, VMS2104, VMS3041

Example

```
/shutdown-vm vm-id=*vm2000(waiting-time=*unlimited),
                    action=*shutdown(quiet-time=0) _____ (1)
VMS2054 SHUTDOWN OF GUEST SYSTEM ON VM (2,SYSTEM2) INITIATED
VMS2054 SHUTDOWN OF GUEST SYSTEM ON VM (3,SYSTEM3) INITIATED
VMS2100 VM2000 SHUTDOWN INITIATED
```

- (1) The VM2000 administrator initiates the coordinated shutdown of VM2000. The monitor system would wait for an unlimited time for the guest systems to shut down.

See also the detailed ["Example of coordinated shutdown of VM2000"](#) on page 84.

START-VM

Start a guest system on a VM

/START-VM performs initial program loading for the guest system on a VM. After command execution, the VM is in one of the states RUNNING (operand HOLD=*NO) or IN HOLD (WAIT) (operand HOLD=*YES, SU /390).

x86 The guest system can also be started using the SVP functions of the KVP console which is assigned to the VM.

The change of state and the specifications for IPL-UNIT, MAIN-CONSOLE and INFORMATION-BYTE are noted in the VM definition (IPL parameters of the last start).

The command cannot be issued for the monitor VM. The [section “Initializing VM2000 operation” on page 67](#) describes how to start the monitor system.

i /START-VM presupposes that the VM has already been assigned the resources and devices required during startup. Furthermore, the resources must be activated and the channels must be attached. There must be at least one real, attached CPU in the CPU pool to which the VM is assigned.

START-VM
<pre> IPL-UNIT = *STD / <alphanum-name 2..2> / <x-text 4..4> ,MAIN-CONSOLE = *STD / list-poss(2): <alphanum-name 2..2> ,HOLD = *NO / *YES ,DIAGNOSTIC-IPL = *NO / *YES ,INFORMATION-BYTE = *FAST / *AUTOMATIC / *DIALOG ,PARAMS = *NONE / <alphanum-name 1..8> ,CLEAR-MEMORY = *NO / *YES ,UNLOCK-SAVEAREA = *NO / *YES ,VM-IDENTIFICATION = *CURRENT / <integer 1..99> / <name 1..8> ,CHECK-VM-STATE=*YES / *NO </pre>

IPL-UNIT =

Mnemonic device name of the disk device used for the initial program loading (IPL) of the guest system. The device must be assigned to the VM explicitly and exclusively.

390 On SU /390 the IPL device can also be an emulated tape device.

IPL-UNIT = *STD

The IPL device used at the last start or restart is used again. When the guest system on a VM is first started, the IPL device must be specified explicitly.

*Exception for persistent VMs*

The first time the guest system on a persistent VM is started after its VM definition has been activated (without `AUTO-IPL` option), the IPL device of the VM definition (IPL parameters of the last start) is used if it is defined.

IPL-UNIT = <alphanum-name 2..2> / <x-text 4..4>

Explicitly specifies the device used for the IPL of the guest system (2- or 4-digit mn).

MAIN-CONSOLE =

Specifies the main console for the guest system.

MAIN-CONSOLE = *STD

The operand entry of the last IPL is used. At the first `/START-VM`, VM2000 looks for a KVP console console device pair assigned to the VM.

390 If there is no KVP console console device pair assigned to the VM on SU /390, the virtual console of the VM is used.

*Exception for persistent VMs*

The first time the guest system on a persistent VM is started after its VM definition has been activated (without `AUTO-IPL` option), the console of the VM definition (IPL parameters of the last start) is used if it is defined.

MAIN-CONSOLE = list-poss(2): <alphanum-name 2..2>

The pair of mnemonic device names (Output path, Input path) for a KVP console device pair must be specified in this order.

390 For SU /390, the mnemonic device name of the virtual console can also be entered.

HOLD = *NO / *YES

This determines the state of the VM after initial program loading of the guest system and generation of its context.

x86 Only the default value may be used on SU x86.

HOLD = *NO

The VM is in the RUNNING state.

HOLD = *YES

The VM is in the IN HOLD (WAIT) state.

DIAGNOSTIC-IPL = *NO / *YES

Specifies whether a diagnostic IPL or a normal IPL is to be carried out.



Implicitly assigned devices are removed from the VM for a normal IPL (DIAGNOSTIC-IPL=*NO). In the case of a diagnostic IPL (DIAGNOSTIC-IPL=*YES), implicitly assigned disk devices remain with the VM for diagnostic reasons. Exclusive use is changed to shared use. Other, implicitly assigned devices are released.

INFORMATION-BYTE = *FAST / *AUTOMATIC / *DIALOG

One byte of load information for the guest system.

During normal initial program loading (DIAGNOSTIC-IPL=*NO), this defines the type of system startup (fast, dialog or automatic startup).

During the diagnostic IPL (DIAGNOSTIC-IPL=*YES), this defines the SLED execution type: manual (*FAST, *DIALOG) or automatic (*AUTOMATIC).

x86 On SU x86 the execution type of the SLED is always set manually in the case of a diagnostic IPL. The values of the INFORMATION-BYTE operand is ignored.

PARAMS = *NONE / <alphanum-name 1..8>

Transfer information for the guest system.

x86 Only the default value may be used on SU x86.

The information corresponds to the specification in the PARSMS field of the corresponding SVP menu screen (see [section "Initializing VM2000 operation" on page 67](#)).

CLEAR-MEMORY = *NO / *YES

Specifies whether or not the main memory of the VM is to be deleted for an IPL. This operand is only evaluated when DIAGNOSTIC-IPL=*NO is specified.

UNLOCK-SAVEAREA = *NO / *YES

Specifies whether, in the event of a diagnostic IPL, the save area is to be overwritten (SLED of SLED) or not. The operand is only evaluated when DIAGNOSTIC-IPL=*YES is specified.

VM-IDENTIFICATION =

Identification of the virtual machine.

VM-IDENTIFICATION = *CURRENT

The VM identification assigned previously by means of /BEGIN-VM-DIALOG is used.

VM-IDENTIFICATION = <integer 1..99> / <name 1..8>

Identifies the virtual machine by means of a VM index or VM name.

CHECK-VM-STATE =

Determines whether the command is executed, depending on the current state of the VM.



A guest system on a VM in SETUP(MIGR) state can neither be started with CHECK-VM-STATE=*YES nor with CHECK-VM-STATE=*NO.

CHECK-VM-STATE = *YES

The command is only executed if no guest system is running on the VM. This is the case if the VM is in the DOWN or INIT-ONLY state.

A VM cannot be started with CHECK-VM-STATE=*YES while it is being migrated (VM Migration).

CHECK-VM-STATE = *NO

The command is executed regardless of the VM state. The guest system running on the VM is halted without regard for the current system state. Files of the guest system could be inconsistent as a result.

Command return code, see also [page 431](#)

(SC2)	SC1	Maincode	Bedeutung
	0	CMD0001	Command successfully executed
2	0	VMS2020	VM remains in IN HOLD(WAIT) state
2	0	VMS2306	VM definition could not be updated (SU /390)
	64	VMS2101	VM2000 shutdown in progress
	64	VMS3002	Invalid operand value
	64	VMS3040	Not processed because of the state of the VM
	64	VMS4000	VM not yet created
	64	VMS4016	Device cannot be used as a virtual console
	64	VMS4027	No console is assigned to the virtual machine
	64	VMS4034	IPL device currently shared among virtual machines
	64	VMS4037	I/O error when reading BOOT
	64	VMS4038	Timeout when starting the VM's firmware component or the IPL CPU
	64	VMS4080	Device could not be reset
	64	VMS4084	I/O configuration modification active
	64	VMS4160	Device pair in MAIN-CONSOLE is not a KVP console
	64	VMS4161	The first device of the KVP console is not an output path
	64	VMS4612	No attached CPU in the CPU pool
	64	VMS9006	Specified hardware devices not suitable or not available
	128	VMS3042	VM being migrated

Example

```
/start-vm ipl-unit=d2,information-byte=*dialog
```

The VM administrator starts the guest system on his/her VM. The disk device assigned via the mnemonic device name D2 is the IPL disk. A dialog startup is requested. A dialog startup is to be performed.

SWITCH-VM-CPU

Delete CPUs from a CPU pool and add them to another CPU pool

/SWITCH-VM-CPU is used to delete a CPU from a CPU pool and add it to a different CPU pool.

This command is reserved for the VM2000 administrator.

SWITCH-VM-CPU

CPU-IDENTIFICATION = *SELECT(...) / *ALL / list-poss(63): <x-text 1..2>

*SELECT(...)

NUMBER-OF-CPUS = 1 / <integer 1..63> / *ALL

,ATTRIBUTE = *NORMAL / *EXTRA

,STATE = *ATTACHED / *DETACHED / *OFFLINE

,FROM-CPU-POOL = *STDPOOL / <name 1..8>

,TO-CPU-POOL = *STDPOOL / <name 1..8>

,ATTACHED-VM-CPUS = *ACTIONS(...)

*ACTIONS(...)

SOURCE-CPU-POOL = *CHECK-NUMBER / *ADJUST-NUMBER

,TARGET-CPU-POOL = *NONE / *ADJUST-NUMBER

CPU-IDENTIFICATION =

Determines the CPUs which are to be switched from the source CPU pool (FROM-CPU-POOL operand) to the target CPU pool (TO-CPU-POOL operand).

CPU-IDENTIFICATION = *SELECT(...)

Selects a set of CPUs from the source CPU pool (FROM-CPU-POOL operand).

NUMBER-OF-CPUS = 1 / <integer 1..63> / *ALL

Number of CPUs.

ATTRIBUTE = *NORMAL / *EXTRA

CPU type.

STATE = *ATTACHED / *DETACHED / *OFFLINE

Reconfiguration status of the CPUs.

CPU-IDENTIFICATION = *ALL

All CPUs in the source CPU pool are selected.

CPU-IDENTIFICATION = list-poss(63): <x-text 1..2>

Selects the specified real CPUs.

FROM-CPU-POOL = *STDPOOL / <name 1..8>

Determines the source CPU pool from which the CPUs are to be deleted.

TO-CPU-POOL = *STDPOOL / <name 1..8>

Determines the target CPU pool to which the selected CPUs are to be added.

ATTACHED-VM-CPUS = *ACTIONS(...)

Determines the command execution and the implicit actions of VM2000.

SOURCE-CPU-POOL =

Determines the command execution and the implicit actions of VM2000 for the virtual CPUs of the VMs which are assigned to the source CPU pool.

The command is rejected if the last attached real CPU is to be deleted, but a VM is still assigned to the source CPU pool (on SU /390 in RUNNING, IN HOLD (WAIT) or SETUP(MIGR) state) (message/return code VMS4612).

SOURCE-CPU-POOL = *CHECK-NUMBER

The command is executed if the number of attached virtual CPUs of each VM in the source CPU pool is less than or equal to the remaining number of attached real CPUs in the source CPU pool, see [page 272](#). Otherwise the command is rejected. Excess virtual CPUs which have already been detached can then not be attached again to the guest system (BLOCK status).

SOURCE-CPU-POOL = *ADJUST-NUMBER

The command is executed.

Here VM2000 checks the status of the virtual CPUs of **all** VMs in the source CPU pool and, if required, initiates the following asynchronous actions:

- If the number of attached virtual CPUs of a VM is greater than the number of attached real CPUs in the source CPU pool, VM2000 detaches the excess virtual CPUs of the VMs concerned (implicit /DETACH-DEVICE in the BS2000 guest system for a corresponding number of virtual CPUs). These detached CPUs cannot initially be attached again by the guest system; they are identified accordingly by VM2000 (status of the virtual CPU in the VM2000 information commands: BLOCK).
- If the number of attached virtual CPUs of a VM is less than the number of attached real CPUs of the source CPU pool (e.g. through CPU reconfiguration), VM2000 attaches the detached virtual CPUs of the VMs concerned (implicit /ATTACH-DEVICE in the BS2000 guest system for a corresponding number of virtual CPUs).

TARGET-CPU-POOL =

Determines the implicit actions of VM2000 for the virtual CPUs of the VMs which are assigned to the target CPU pool.



For all VMs whose number of attached virtual CPUs is less than their multiprocessor level, VM2000 cancels the BLOCK status for the relevant number of virtual CPUs in the VM. The virtual CPU can then be attached again in the guest system.

TARGET-CPU-POOL = *NONE

No further implicit actions are performed. The number of attached virtual CPUs in the VMs remains unchanged.

TARGET-CPU-POOL = *ADJUST-NUMBER

VM2000 checks the status of the virtual CPUs of **all** VMs in the target CPU pool and, if required, initiates the following asynchronous actions:

- If the number of attached virtual CPUs of a VM is less than the (new) number of attached real CPUs of the target CPU pool, VM2000 attaches the detached virtual CPUs of the VMs concerned (implicit /ATTACH-DEVICE in the BS2000 guest system for a corresponding number of virtual CPUs).
- If the number of attached virtual CPUs of a VM is greater than the (new) number of attached real CPUs of the target CPU pool (e.g. through CPU reconfiguration), VM2000 detaches the excess virtual CPUs of the VMs concerned (implicit /DETACH-DEVICE in the BS2000 guest system for a corresponding number of virtual CPUs). These detached CPUs cannot initially be attached again by the guest system; they are identified accordingly by VM2000 (status of the virtual CPU in the VM2000 information commands: BLOCK).

Command return code, see also [page 431](#)

(SC2)	SC1	Maincode	Bedeutung
	0	CMD0001	Command successfully executed
2	0	VMS3004	Multiple occurrence of elements in CPU list
2	0	VMS4603	No CPU belongs to the CPU pool
	64	VMS3002	Invalid operand value (CPU-IDENTIFICATION)
	64	VMS3003	Invalid combination of operand values (FROM-CPU-POOL = TO-CPU-POOL)
	64	VMS4043	CPU not known in system
	64	VMS4600	CPU pool not yet created
	64	VMS4606	CPU switch rejected; command aborted
	64	VMS4607	CPU does not belong to source CPU pool
	64	VMS4611	Selected CPUs do not belong to source CPU pool
	64	VMS4612	Too few attached CPUs remaining in source CPU pool
	64	VMS9004	Functionality not supported on current HSI or with current parameter assignment

Guaranteed messages

VMS4608, VMS4620, VMS4621

Example

```

/switch-vm-cpu cpu-id=(02,03),from-cpu-pool=*stdpool,to-cpu-pool=pcust1,
  attached-vm-cpus=*actions(source-cpu-pool=*adjust-number) _____ (1)
VMS4608 CPU '02' SWITCHED FROM CPU-POOL '*STDPOOL' TO CPU-POOL 'PCUST1'
VMS4608 CPU '03' SWITCHED FROM CPU-POOL '*STDPOOL' TO CPU-POOL 'PCUST1'
VMS4621 IMPLICIT DETACH-DEVICE FOR VIRTUAL CPUS ON
      VIRTUAL MACHINE (2,C1SYS1) STARTED _____ (2)
% VMS2037 NON-INTERRUPTIBLE WAIT STATE FOR VIRTUAL MACHINE (2,C1SYS1),
      CODE 80FFFFFF, CPU 02
% VMS2011 CPU 02 OF VIRTUAL MACHINE (2,C1SYS1) STOPPED

```

- (1) The real CPUs 02 and 03 are switched from the standard CPU pool to the CPU pool PCUST1.
- (2) The SOURCE-CPU-POOL=*ADJUST-NUMBER operand causes VM2000 to check, for all VMs in the source CPU pool, whether the number of virtual CPUs which they possess remains greater than or equal to the remaining number of real CPUs. In this case VM2000 initiates a detach operation for virtual CPU 02 in the customer system as only two real CPUs are left in the standard CPU pool but three virtual CPUs are running in VM C1SYS1.

See also the detailed [“Example of managing CPU pools” on page 278](#).

SWITCH-VM-DEVICES

Deallocate devices from one VM, allocate them to another

`/SWITCH-VM-DEVICES` deallocates devices from one VM and allocates them to another VM. Individual devices are addressed using their mnemonic device names. The devices of a pubset are determined by means of the catalog ID of the pubset or the mnemonic device name of the pubres device.

This command is reserved for the VM2000 administrator.

If `/ADD-VM-DEVICES` was used to define a device attribute (using the `TYPE` operand), this will be retained when `/SWITCH-VM-DEVICES` is used. For implicitly assigned devices the usage mode is preserved (`EXCLUSIVE/SHARED`).

The home pubset and other imported pubsets, paging disks and the final console cannot be removed from the monitor VM.

The removed and assigned devices are deleted and noted in the VM definitions of the VMs.



The devices removed from a VM should be disconnected beforehand in the corresponding guest system with `/DETACH-DEVICE`.

The devices must be attached in the guest system to which they are assigned so that they can be addressed in it.



Alias devices (PAV) and CRD devices cannot be explicitly removed or assigned.

SWITCH-VM-DEVICES

```

UNITS = *ALL(...) / *PUBSET-DEVICES(...) /
    list-poss(28): *DEVICE-RANGE(...) / <alphanum-name 1..4 with-wild(20)>

*ALL(...)
    | CHECK-VM-STATE = *YES / *NO
*PUBSET-DEVICES(...)
    | PUBSET = *BY-PUBRES-DEVICE(...) / <cat-id 1..4>
    | *BY-PUBRES-DEVICE(...)
    |     UNIT = <alphanum-name 2..2> / <x-text 4..4>
*DEVICE-RANGE(...)
    | FROM = <alphanum-name 2..2> / <x-text 4..4>
    | ,TO = <alphanum-name 2..2> / <x-text 4..4>
,FROM-VM = <integer 1..99> / <name 1..8>
,TO-VM = <integer 1..99> / <name 1..8>
,FORCE = *NO / *YES

```

UNITS =

Specifies the devices to be removed from the FROM-VM and assigned to the TO-VM.

UNITS = *ALL(...)

All devices assigned to the FROM-VM are to be removed and reassigned. If a device cannot be removed, the command is not executed for this device. Alias devices and CRD devices are only removed (implicitly).

CHECK-VM-STATE =

Determines whether the command is executed depending on the current status of the FROM-VM.

CHECK-VM-STATE = *YES

The command is only executed if the FROM-VM is in the DOWN or INIT-ONLY state.

CHECK-VM-STATE = *NO

The command is executed regardless of the FROM-VM state.

UNITS = *PUBSET-DEVICES(...)

All devices are to be removed and reassigned.



See also “Notes on pubset specification in the VM2000 commands” on page 351 and “Pubset reconfiguration” on page 353.

PUBSET = *BY-PUBRES-DEVICE(...)

Determines the devices of the pubset by means of the pubres device.

UNIT = <alphanum-name 2..2> / <x-text 4..4>

Mnemonic device name of the pubres device.

PUBSET = <cat-id 1..4>

Catalog ID of the pubset. The pubset must be entered together with its pubres device in the monitor system’s MRS catalog.

UNITS = *DEVICE-RANGE(...)

All devices in this name range are to be removed and reassigned.



Device names <x-text 4..4> (in *DEVICE-RANGE) are selected from FROM to TO in hexadecimal order. Otherwise, device names <alphanum-name 2..2> are selected in alphabetical order.

390 If UNITS is specified with *DEVICE-RANGE or with wildcards, alias devices (PAV), CRD devices and devices that are not assigned to the FROM-VM are ignored.

FROM = <alphanum-name 2..2> / <x-text 4..4>

Defines the start of the name range.

TO = <alphanum-name 2..2> / <x-text 4..4>

Defines the end of the name range. The mnemonic device name must be in the same value range (2- or 4-digit mn) as the FROM device name and must be greater than or equal to the FROM device name in ascending order in the value range.

UNITS = <alphanum-name 1..4 with-wild(20)>

Specifies the devices whose assignment is to be output.

FROM-VM = <integer 1..99> / <name 1..8>

Identifies by means of a VM index or VM name the VM from which the devices are to be removed.

TO-VM = <integer 1..99> / <name 1..8>

Identifies by means of a VM index or VM name the VM to which the devices are to be assigned.

FORCE =

Specifies the conditions under which devices are to be removed from the FROM-VM.

FORCE = *NO

The device is removed from the FROM-VM if the FROM-VM is in the DOWN or INIT-ONLY state, or if the device is detached in the guest system. However, it is not removed if an input/output is outstanding for the device, if the FROM-VM is in the wait state (after /HOLD-VM) or if the guest system is in the startup phase.

The device configuration of a VM cannot be modified with FORCE=*NO while it is being migrated (VM Migration).

FORCE = *YES

VM2000 tries to remove the device from the FROM-VM, even if it is still in use. If this is not possible, message VMS4003 or VMS4031 is output. The operand should only be used in exceptional circumstances.

390 The IO-RESET privilege of the FROM-VM must be noted on SU /390 (see [page 142](#)).

Command return code, see also [page 431](#)

(SC2)	SC1	Maincode	Bedeutung
	0	CMD0001	Command successfully executed
1	0	VMS4035	No corresponding device found
1	0	VMS4180	Specified set of devices empty
2	0	VMS2306	VM definition could not be updated (SU /390)
2	0	VMS4229	Not all devices of the pubset could be processed
	64	VMS3002	Invalid operand value (e.g. *DEVICE=RANGE) or FROM-VM=TO-VM
	64	VMS3040	Not processed because of the state of the VM
	64	VMS4000	VM not yet created
	64	VMS4006	Device is not available
	64	VMS4007	Device is not assigned to the virtual machine
	64	VMS4021	Device is the last console or main console of the monitor system. Reconfiguration not possible
	64	VMS4022	Device is currently being used as a public disk in the monitor system. Reconfiguration not possible
	64	VMS4026	VM already has a virtual console
	64	VMS4030	The monitor VM may not be assigned a virtual console
	64	VMS4031	Device is INOP
	64	VMS4064	No channel path available
	64	VMS4069	Device is already assigned to the TO-VM
	64	VMS4081	Device only removed. Switching incomplete
	64	VMS4085	Device not detached in guest system (FORCE=*NO)
	64	VMS4086	Device state not known in the guest system (FORCE=*NO)
	64	VMS4143	Guest system is in the startup phase (FORCE=*NO)
	64	VMS4144	VM is in the wait state (FORCE=*NO)
	64	VMS4190	Device is an alias device (PAV)
	64	VMS4195	Device is a CRD device
	64	VMS4223	Command not executed (operand *PUBSET-DEVICES)
	64	VMS9005	Command could not be processed or could only be partially processed
	128	VMS3042	VM being migrated
	128	VMS4003	Device is busy

Guaranteed messages

VMS4003, VMS4008, VMS4021, VMS4022, VMS4026, VMS4030, VMS4031, VMS4064, VMS4069, VMS4081, VMS4085, VMS4086

Only if *PUBSET-DEVICES is specified: VMS4223, VMS4228, VMS4229.

Only if UNITS is specified without *DEVICE=RANGE and without with wildcards: VMS4006, VMS4007, VMS4190, VMS4195.

Example

```

/switch-vm-devices from-vm=system2,to-vm=system3,
                   units=*pubset-devices(pubset=4ivi) _____ (1)
VMS4008 DEVICE 'FC1E' SWITCHED FROM VIRTUAL MACHINE (2,SYSTEM2) TO VIRTUAL
        MACHINE (3,SYSTEM3)
VMS4008 DEVICE 'FC1F' SWITCHED FROM VIRTUAL MACHINE (2,SYSTEM2) TO VIRTUAL
        MACHINE (3,SYSTEM3)
VMS4228 PUBSET '4IVI' WITH PUBRES DEVICE 'FC1E' SWITCHED FROM VM
        (2,SYSTEM2) TO VM (3,SYSTEM3) _____ (2)

```

- (1) The VM2000 administrator removes the pubset devices of pubset 4IVI from VM2 and assigns them to VM3.
- (2) VM2000 confirms the old and new assignments.

8 Error handling in VM2000

This chapter describes:

- the types of error which can occur during VM2000 operation
- the restart procedures provided in VM2000 and
- the diagnostic aids VM2000 provides.

Whenever an error occurs you should create diagnostic documentation and notify Customer Support.

8.1 Types of error in VM2000

The following types of error can occur during VM2000 operation:

- Errors in the carrier system (SU x86)
 - Errors in the Xen hypervisor or in the carrier system s kernel
 - Errors in the administration component of the carrier system
 - errors in the VM2000 Agent
- VM2000 errors
 - Errors during VM2000 startup
 - Errors in the VM2000 hypervisor (SU /390)
 - Errors in the VM2000 monitor
 - Errors in \$VMCONS
- Guest system errors
 - SETS in the BS2000 guest system
 - SETS in the monitor system
 - monitor system deadlock
 - BCAM failure in the monitor system

The following sections list the individual error types, outlining the corresponding message text, the cause of the error and possible corrective measures.

8.1.1 Errors in the carrier system (SU x86)

Errors in the Xen hypervisor or in the carrier system s kernel

Form	Operation of the Server Unit is terminated abnormally
Cause	Software error in the Xen hypervisor or in the carrier system's kernel
Diagnostic materials	See the "Operation and Administration" manual [19]
Response	The Server Unit is restarted with the current settings. VM2000 is initialized again. Virtual machines with a BS2000 guest system must be re-initialized.

Errors in the administration component of the carrier system

Form	Message VMS6001 in the monitor system.
Cause	Software error in the administration component of the carrier system
Diagnostic materials	Core dump (for Customer Support)
Response	<p>case a) The component is automatically restarted. VM2000 mode continues to run without hindrance.</p> <p>case b) The component cannot be automatically restarted. VM2000 operation continues. However, no VM2000 commands can be executed. BS2000 guest systems cannot issue any hypervisor requests; they receive the return code VMS6001. Notify Customer Support.</p>

errors in the VM2000 Agent

Form	Messages VMS6000 and VMS6003 in the monitor system.
Cause	Software error in the VM2000 Agent
Diagnostic materials	Core dump (for Customer Support)
Response	<p>case a) The VM2000 Agent is restarted automatically. VM2000 mode continues to run without hindrance.</p> <p>case b) The VM2000 Agent cannot be restarted automatically. VM2000 operation continues. However, no VM2000 commands can be executed. BS2000 guest systems cannot issue any hypervisor requests; they receive the return code VMS6000. Notify Customer Support.</p>

8.1.2 VM2000 errors

Errors during VM2000 startup

x86 On SU x86 the startup of the monitor system is continued even if an error occurs when initializing VM2000 operation.

Form	Message: VMS50xx... ,STARTUP TERMINATED
Cause	Detected error in VM2000 startup as described in message VMS50xx
Diagnostic materials	Console log/CONSLOG file; SLED of the system as a whole.
Response	Correct error and reload VM2000.

Errors in the VM2000 hypervisor (SU /390)

x86 On SU x86 the Xen hypervisor controls all virtual machines, see [page 696](#).

Abnormal VM2000 hypervisor termination also terminates the operation of all the guest systems and of VM2000. If an automatic restart in the monitor system is not set, VM2000 and the monitor system must be reloaded manually. If an automatic restart in the monitor system is set, VM2000 and the monitor system are automatically reloaded (see [page 703](#)). After the monitor system has started up, the VMs must be set up again and the guest systems restarted.

Form	Message: VMS00xx Exceptions: messages VMS0017, VMS0018, VMS0021, VMS0023 through VMS0027 and VMS0000
Cause	The VM2000 hypervisor recognizes a system error (described in message VMS00xx) and terminates VM2000.
Diagnostic materials	Console log/CONSLOG file; SLED of the system as a whole
Response	Reload VM2000/automatic restart

Exception: abnormal system termination in the monitor system

Form	Message: VMS0018
Cause	Abnormal system termination in the monitor system. A restart option is not set or the restart function has failed. At least one guest system is still active.
Diagnostic materials	Console log/CONSLOG file
Response	Shutdown for all guest systems or attempt to restart the monitor system via SVP.

Exception: error in a CPU

Form	Message: VMS0017 and VMS0021
Cause	The real CPU was detached implicitly due to a hardware or software error.
Diagnostic materials	Console log/CONSLOG file; automatic VMDUMP (see page 710)
Response	Respond to message VMS0021. Contact customer support. Check CPU and attach again, if applicable, if no hot spare CPU is available.
Form	Message: VMS0023 and VMS0024
Cause	A hot spare CPU was attached following CPU failure.
Diagnostic materials	None
Response	Respond to message VMS0024. Contact customer support. Repair defective CPU.

Exception: CPU pool reconfiguration after a CPU error

Form	Message: VMS0025, VMS0026 or VMS0027
Cause	Owing to a CPU error a CPU, a VM or a VM group had to be assigned to another CPU pool.
Diagnostic materials	None
Response	Check CPU pools and reorganize if applicable.

Exception: other errors

If any other errors that have not yet been described occur in the VM2000 hypervisor, an automatic VMDUMP is created and output. It should be forwarded to customer support for diagnosis.

A special message is not issued.

Errors in the VM2000 monitor or in \$VMCONS

Form	<p>case a) System dump of a system task (VM2M, VM2G, VM2C, VM2J, VM2P, VM2E, VM2T)</p> <p>case b) Message issued on the BS2000 console of the monitor system or in the ADMIN dialog of the monitor VM VMS2014 VM2000 PROGRAM ERROR. MODULE '(&00)', LABEL '###(&01)', ERROR CODE '(&02)'</p> <p>Key:</p> <p>(&00): Name of the VM2000 module in which the error was detected</p> <p>###(&01): Flag in VM2000 module (&00)</p> <p>(&02): More detailed error information</p>
Cause	<p>case a) Program error in a system task</p> <p>case b) Internal inconsistency detected or serious VM2000 error</p>
Diagnostic materials	<p>Case a) CONSLOG file of the monitor system; system dump</p> <p>Case b) CONSLOG file of the monitor system; automatic VMDUMP, if created (see page 710).</p>
Response	<p>Continue with VM2000 operation. The affected system task is continued from a restart point (see page 707). It may be necessary to terminate the affected VM by means of /DELETE-VM and to establish \$VMCONS connections again.</p>

8.1.3 Guest system errors

SETS in the BS2000 guest system

Form	<ul style="list-style-type: none"> – Message in the BS2000 guest system: 'crash-id: SETS; text' <p>and</p> <ul style="list-style-type: none"> – Message on the BS2000 console of the monitor system or in the ADMIN dialog of the VM2000 or VM administrator: VMS2033 'crash-id: SETS;text' FROM VM ((index),(name)) VIA SVP <p>where</p> <p>crash-id Crash ID of the module by which the system was terminated.</p> <p>index VM index</p> <p>name VM name</p>
Cause	Global system error in the guest system
Diagnostic materials	<p>The SLED of the guest system can be created by means of /START-VM ... ,DIAGNOSTIC-IPL=*YES</p> <p>390 The diagnostic data of the VM2000 hypervisor is also contained in the SLED of the guest system (dump file section VM2HYPVS).</p>
Response	<ul style="list-style-type: none"> – VM2000 operation continues unaffected. – The guest system can be restarted.



If an automatic restart has been defined in the guest system (see [page 704](#)), the main console (specified by means of the `MAIN-CONSOLE` operand in `/START-VM`) and the IPL device (specified by means of the `IPL-UNIT` operand in `/START-VM`) of this VM must still be assigned at the restart. Implicitly assigned devices are removed from the VM when the guest system is restarted.

See [page 328](#) for details on how to handle implicitly assigned devices in the case of `/START-VM`.

The VM administrator is informed about the failure of the guest system, depending on the restart option in the guest system, by means of one of the following messages:

- VMS2051 (“Guest system on VM (...) down; reason: crash”)
- VMS2052 (“Guest system on VM (...) not ready. Restart has been initiated”)

The messages are also issued in the monitor system using routing code “9”.

SETS in the monitor system

After SETS in the monitor system, the guest systems remain operable and can be operated, for example, using BS2000 consoles, but not in a VC dialog. VM2000 and the virtual machines cannot, however, be addressed using VM2000 commands. Refer to [page 704](#) for details on automatic restarting of the monitor system.

- 390** During a failure of the monitor system on SU /390 the VM definitions are not updated (e.g. when the VM state changes, in the event of implicit device assignment). All changes are collected and executed subsequently when BCAM is active again in the monitor system (see [page 201](#)).

If no automatic restart is set in the monitor system, then the following applies:

- 390** On SU /390 the guests systems can be shut down using `/SHUTDOWN` and VM2000 initialized again. Alternatively, the monitor system can be restarted (with SLED) via the SVP, see [page 706](#).

- x86** On SU x86 first the monitor system's SLED can be created and subsequently the monitor system can be restarted (see below and the manual "Operation and Administration" [19]).

- i** The guest systems are informed about the failure of the monitor system. One of the following messages is also displayed on the guest system BS2000 console, depending on the restart option in the monitor system:
- NRTV001 ("Monitor system failed")
 - NRTV002 ("Monitor system not ready. Restart has been initiated")

Reaction of the monitor system to SETS (automatic restart deactivated):

Form when automatic restart is deactivated

Messages issued to the monitor system BS2000 console:
'`crash-id: SETS; text`'

and (for SU /390)

VMS0000 MONITOR SYSTEM TERMINATED. VM2000 TERMINATION
or

VMS0018 MONITOR SYSTEM TERMINATED.
VM2000 ADMINISTRATION IMPOSSIBLE

where `crash-id` is the crash ID of the module by which the system was terminated.

Cause

Global system error in the monitor system

Diagnostic materials

- 390** VMS0000: SLED of the system as a whole
VMS0018: SLED of the system as a whole or the monitor system

- x86** SLED of the monitor system

- Response
- 390 VMS0000: Initialize VM2000 operation again
VMS0018: Restart via SVP, see [page 706](#), if possible;
otherwise, terminate all guest systems and initialize
VM2000 mode again
 - x86 Restarting the monitor system

monitor system deadlock

Problems may occur in the monitor system which prevent a `/SHUTDOWN` command from being issued, but do not cause a SETS (monitor system is hung up or endless loop occurs, `UCON BUSY`, no entry possible).

- 390 On SU /390 the monitor system can be restarted (with SLED) via the SVP, see [page 706](#).
- x86 On SU x86 first the monitor system's SLED can be created and subsequently the monitor system can be restarted (via the SE manager or the SVP functions of the assigned KVP console, see the manual "Operation and Administration" [[19](#)]).

During this process, the guest systems will remain operable, but cannot be addressed using VM2000 commands or via VC dialog when the dump is being generated or while the monitor system is being restarted automatically.

- 390 During a failure of the monitor system on SU /390 the VM definitions are not updated (e.g. when the VM state changes, in the event of implicit device assignment). All changes are collected and executed subsequently when BCAM is active again in the monitor system (see [page 201](#)).

The guest systems are only informed about the system standstill in the monitor system after start or restart of the monitor system has been initiated. Message `NRTV002` ("Monitor system not ready. Restart has been initiated") is output on the guest system BS2000 console.

- i If due to an I/O problem in the monitor system only BCAM is restarted, no messages are generated in the guest systems.

BCAM failure in the monitor system (SU /390)

After a BCAM failure in the monitor system on SU /390, VM2000 can (temporarily) no longer work with VM definitions. For the behavior of VM2000 in this case, see [page 201](#).

8.2 Restart routines in VM2000

Restart routines are executed by VM2000 following abnormal VM2000 hypervisor termination (on SU /390), abnormal VM2000 Agent termination (SU x86), after SETS in the monitor system and following abnormal task termination in one of the system tasks of VM2000.

8.2.1 Automatic restart following VM2000 hypervisor termination (SU /390)

x86 On SU x86 the Xen hypervisor controls all virtual machines, see [page 696](#).

Abnormal VM2000 hypervisor termination also terminates the operation of all the guest systems and of VM2000.

The automatic restart system function in the monitor system enables VM2000 and the monitor system to be automatically started again after abnormal VM2000 hypervisor termination.

This involves carrying out all the preparations necessary for an automatic restart in BS2000 mode without VM2000 (refer to the list in the [section “Automatic restart after SETS in the monitor system” on page 704](#)). The following should also be noted:

- The setting `DUMP=*SNAP` in `/SET-RESTART-OPTIONS` has the same effect as `DUMP=*SLED`, i.e. a complete memory dump is created.
- The runtimes for VM2000 and the monitor system differ from each other and are independent of one another. The runtime of VM2000 begins with `VM2000 READY` and the monitor system runtime begins with `SYSTEM READY` (it can be shorter than the VM2000 runtime). The time `UPTIME` specified for `/SET-RESTART-OPTIONS` applies to both runtimes.

After a restart of the monitor system (or of VM2000), automatic restart is deactivated (`/SET-RESTART-OPTIONS MODE=*OFF`). The restart option must be reset again with `/SET-RESTART-OPTIONS` and then applies to both the restart after SETS in the monitor system and the automatic restart following VM2000 hypervisor termination.

Special case: If abnormal VM2000 hypervisor termination occurs during a restart of the monitor system (not VM2000), VM2000 and the monitor system are restarted.

After the monitor system started up, the VMs must be set up again by the VM2000 administrator and the guest systems must be restarted.

`/SHUTDOWN` with a restart in the monitor system does **not** result in a VM2000 restart.



When VM2000 restarts, the VM2000 settings of the startup parameter service are evaluated, **not** the most recent valid VM2000 settings.

8.2.2 Automatic restart following termination of the VM2000 Agent

On SU x86 the VM2000 Agent is automatically restarted after terminating abnormally. A core dump is also created in this case, see [page 696](#).

8.2.3 Automatic restart after SETS in the monitor system

The automatic restart system function in the monitor system makes it possible to automatically reload the monitor system after a system crash even under VM2000. To ensure this happens, all the preparations required for an automatic restart in BS2000 operation without VM2000 must be made (see the “Introductory Guide to System Support” [2]):

- The restart option must be activated with the BS2000 command `/SET-RESTART-OPTIONS`.
- The monitor system must have been prepared for automatic restart. This presupposes that the prerequisites for a fast or fast startup of the monitor system are satisfied, i.e. the standard file names for the required files must be set. There must be no incorrect REPs or parameters.
- On restart the main console must be the IPL console.
 - 390 If the original IPL console is replaced as main console by a redundant console during ongoing operation, VM2000 uses the new main console as the IPL console for automatic restart.
- In a system memory dump with SLED, one of the following two files must be available:
 - `$TSOS.SLEDFILE` (for SLED without parameter file)
 - `$TSOS.SYSPAR.SLED.<version>` (for SLED with parameter file)

If the `$TSOS.SLEDFILE` file already contains a memory dump (logically not empty) in the case of SLED without a parameter file, no new memory dump can be generated and the system will immediately be reloaded in accordance with the specifications from the `/SET-RESTART-OPTIONS` command.

During the SLED run and the startup of the monitor system all other guest systems are operational and can be operated using BS2000 consoles, for example. VM2000 and the virtual machines cannot, however, be addressed using VM2000 commands.

390 During a failure of the monitor system on SU /390 the VM definitions are not updated (e.g. when the VM state changes, in the event of implicit device assignment). All changes are collected and executed subsequently when BCAM is active again in the monitor system (see [page 201](#)).

Because \$VMCONS is not available during this time, guest systems cannot be operated in the VC dialog. Guest systems which are **only** operated via VC dialog cannot be used during this time, see [page 116](#).

After `SYSTEM READY` of the monitor system, VM2000 can be operated again using the BS2000 consoles. After `VMCONS READY` has been issued, each VM administrator can reopen the dialog with his/her VM.



The monitor VM is set up again with the most recently assigned attributes and resources (exception: implicitly assigned devices are removed). The other VMs remain set up as before.

When the monitor system is restarted, the VM2000 settings of the startup parameter service are not evaluated. The restart takes place with the most recent VM2000 settings. The values in the parameter file of the VM2-MON subsystem are used for the \$VMCONS parameters, see [section “Modifying the VMCONS parameters” on page 166](#).

The guest systems are informed in the case of an automatic restart. Message `NRTV002` (“Monitor system not ready. Restart has been initiated”) is output on the guest system BS2000 console. When the monitor system reaches `SYSTEM READY` again, message `NRTV003` (“Monitor system ready again”) is displayed.

8.2.4 Restarting the monitor system via SVP (SU /390)

x86 On SU x86 the monitor system can be restarted via the SE manager or using the SVP functions of the KVP console which is assigned to the monitor system (see the manual “Operation and Administration” [19]).

Use of the restart facility under SVP (on SU /390) is dependent on the same conditions as an automatic restart of the monitor system. Exception: the restart option does not need to be set.

If the following problems occur in the monitor system, and /SHUTDOWN can no longer be entered, the monitor system can be restarted using SVP:

- Problems that do not result in abnormal system termination (“hung” system in the monitor system, UCON BUSY, no input possible)
- SETS without the Restart option (VMS0018)

Initialize restart

To restart the monitor system using SVP, in the main menu of the SE Manager (SU /390 selected) the *BS2000 operation mode* tab must be selected, the SVP console opened and in the MODE SELECTION FRAME screen the RESTART function activated.

Restart procedure

The restart of the monitor system then proceeds in the same way as an automatic restart after SETS in the monitor system (with SLED), see [page 704](#).

8.2.5 Restarting a task after an error in a system task of VM2000

After an error in the VM2000 monitor, the system task involved (VM2M, VM2G, VM2C, VM2J, VM2P, VM2E, VM2T) is continued at a consistency point.

A task restart after an error in the VM2000 monitor may have the following consequences:

- Error in the main task (VM2M)
Inconsistent table entries may exist. A VM2000 command may not have been executed completely. Information on the current VM state is supplied by the VM2000 information commands.
- Error in the general task (VM2G, SU /390)
Requests to the VM2000 monitor may not have been processed completely.
- Error in the \$VMCONS task (VM2C)
All connections to \$VMCONS (ADMIN dialog, VC dialog) are cleared. Once \$VMCONS has restarted automatically, these connections must be established again.
- Error in the job variable task (VM2J)
The current update of a MONJV to monitor a VM or main memory reconfiguration is not carried out. When the monitoring is finished, e.g. with /DELETE-VM, problems may occur in resetting the MONJV. A MONJV of this kind can only be used again when the MONJV protection has been reset manually with /MODIFY-JV-ATTRIBUTES JV-NAME= . . . , PROTECTION=(MONJV-PROTECTION=*NO) or in the next system run of the monitor system.
The updating of further MONJVs is delayed until the VM2J task is automatically restarted.
- Error in the pubset task (VM2P)
The last action for a pubset is rejected with the message VMS4252 ("timeout").
- Error in the task for the VM2000 Agent (VM2E, SU x86)
Requests of the VM2000 Agent may possibly not have been executed.
- Error in the task for the VM Migration on the target SU (VM2T, SU /390) or in the dynamically created task for the VM Migration on the source SU (SU /390)
The VM Migration is aborted.

8.3 VMDUMP utility routine

A special **VM2000 dump** containing the relevant VM2000 data in convenient list form can be generated for the diagnosis of VM2000 errors. The VMDUMP utility routine is used to generate a VM2000 dump. The VM2000 dump is not required for regular operation of VM2000.

VMDUMP generates a VM2000 dump of the data of the current overall VM2000 system.

- 390 On SU /390 the VM2000 dump contains the data of the VM2000 monitor as well as the data of the VM2000 hypervisor.
- x86 On SU x86 the VM2000 dump contains only the data of the VM2000 monitor. It does not contain data of the Xen hypervisor or domain 0 (X2000).

Execution of VMDUMP as a separate program

To call VMDUMP as a separate program, the following operations are necessary:

1. The VMDUMP program is called under TSOS with /START-VMDUMP.

VMDUMP can also be called with /START-EXECUTABLE-PROGRAM FROM-FILE=\$<userid>.SYSPRG.VM2000-UTIL.<ver> under TSOS, if the user id <userid> under which the VM2000 dump is installed is known.

2. The input for VMDUMP are requested by the following message on the screen:
ENTER VM2000 DUMP-COMMAND (H=HELP, A=APPLICATION HINTS, E=END)
3. The permissible VMDUMP input and its functions can be listed on the screen by entering H[ELP].

```

      VM2000 D U M P   -   C O M M A N D S
      -----
A          OUTPUT APPLICATION INSTRUCTIONS FOR DUMP
B          PRINT DESCRIPTION OF DUMP OUTPUT
C <TEXT>  INSERT COMMENTARY LINE IN SYSLST
D          PROCESS DUMP DATA OF CURRENT SESSION
E / END   TERMINATE THE PROGRAM
H / HELP  REQUEST INFORMATION ON VM2000 DUMP COMMANDS
S          REQUEST STATUS INFORMATION ON VM2000 TRACE
```

4. The desired command can be input after the following output is displayed: ENTER VM2000-DUMP-COMMAND ...

5. The A command supplies notes on the use of VMDUMP.

VM2000 D U M P INSTRUCTIONS

- 1) ERROR REPETITION (TEST PRIVILEGE (8,8))
 - DETERMINE VM2000 TRACE STATUS USING COMMAND "S"
 - SET DESIRED TRACE USING /MODIFY-VM-ATTRIBUTES
 - REPEAT ERROR
 - PRODUCE DUMP (SYSLST) USING COMMAND "D"
 - WITH INTERNAL TESTING: OUTPUT DUMP DESCRIPTION (IN GERMAN ONLY) USING COMMAND "B"
 - PRINT DUMP USING "/PRINT *SYSLST" AND SEND IT TO CUSTOMER SERVICE DEPARTMENT TOGETHER WITH CONSOLE LOG

- 2) DUMP OF RUNNING SYSTEM (TEST PRIVILEGE (8,1))
 - COMMAND "D" PRODUCES DUMP; PRINT *SYSLST

6. The E[ND] statement terminates the VMDUMP program.

Automatic VMDUMP

In the event of errors, VM2000 **automatically** calls the VMDUMP utility to generate a VM2000 dump. The file with the VM2000 dump is given the name `$SYSDUMP.SYS.VMDUMP.LST.VM<n>.<date>.<time>`, where `<n>` is the index of the VM causing the error, or 0 if it is a VM2000 hypervisor error (on SU /390).



To permit VMDUMP to alter its test privilege without the consent of the operator when an automatic VM2000 dump is created, the user attribute `TEST-OPTIONS, MODIFICATION` should have the value `*UNCONTROLLED` for the TSOS user ID. This is also the default value for the TSOS user ID. See the `MODIFY-` and `SHOW-USER-ATTRIBUTES` commands in the "Commands" manual [13].

The automatically generated VM2000 dump is an important component of the diagnostic documents.

You can view the VMDUMP file with the `/SHOW-FILE` command or the editor, or you can print it out on a standard printer using the following command:

```
/PRINT-DOCUMENT <filename>, LINE-SPACING=*BY-EBCDIC-CONTROL
```

The automatic VMDUMP is generated in the following cases:

- Errors in the VM2000 monitor (message: VMS2014)
- Errors in \$VMCONS

390 On SU /390 the automatic VMDUMP is also created in the case of:

- Undefined VM2000 errors in the VM2000 hypervisor (without a message)
- Errors in the hardware (message: VMS0017)

On SU /390, the diagnostic data of the VM2000 hypervisor is also contained in the SLED of a guest system (dump file section VM2HYPVS).

8.4 Other diagnostic aids

In addition to VMDUMP, VM2000 also offers internal trace functions.

The following BS2000 diagnostic aids are also available for use in the monitor system:

- CONSLOG file (also contains the VM2000 commands and messages)
- REPLOG file (also contains the VM2000 Rep corrections)

Trace functions of VM2000

VM2000 offers the following internal trace functions in the monitor system:

- The execution trace for runtime logging
- The error trace for error logging
- \$VMCONS trace for runtime logging in \$VMCONS

The trace functions are called by VM2000 at specific execution points to log a run or a detected error.

VM2000 writes trace entries into separate buffers, the execution trace buffer, the error trace buffer and the \$VMCONS trace buffer. The contents of these buffers are output by means of the utility routine VMDUMP.

Control of the trace functions

`TRACE-LEVEL=*OFF` is set after VM2000 READY. The scope of trace logging can be defined with `/MODIFY-VM-ATTRIBUTES TRACE-LEVEL=*OFF/*STD/*MAXIMUM`.

When `*OFF` is specified, only system errors such as inconsistent table statuses or undefined return codes after VM2000 hypervisor calls are logged in the execution and error trace buffers.

When `*STD` is specified, important execution points in the execution trace buffer are also logged.

Specifying `*MAX` causes even more execution points in the execution trace buffer to be logged.

8.5 Diagnostic file SLEDFILE

A diagnostic file (SLEDFILE) is created using the memory dump routine SLED. It can be analyzed with the DAMP diagnostic program. A detailed description of SLED and DAMP can be found in the “Diagnostics Handbook” [4].

8.5.1 Creating SLEDFILES during VM2000 operation

A SLEDFILE can be created for a guest system, for the monitor system or for the whole VM2000 system.

SLED for a BS2000 guest system that is not the monitor system

The SLED of the guest system can be created with `/START-VM . . . ,DIAGNOSTIC-IPL=*YES` or by an automatic restart after SETS in the guest system or via the SE manager.

x86 On SU x86 the SLED of the guest system can also be created using the SVP functions of the KVP console which is assigned to the VM.

See [page 328](#) for details on how to handle implicitly assigned devices in the case of `/START-VM`.

390 On SU /390, the diagnostic data of the VM2000 hypervisor is also contained in the SLEDFILE of a guest system (dump file section `VM2HYPVS`).

x86 On SU x86, the SLEDFILE contains no data of the Xen hypervisor or of domain 0 (X2000).

SLED for the monitor system

The SLEDFILE also contains the diagnostic data of the VM2000 monitor.

390 The SLED of the monitor system can be created when the monitor system is restarted:

- [Automatic restart after SETS in the monitor system](#) (see [page 704](#))
- [Restarting the monitor system via SVP \(SU /390\)](#) (see [page 706](#))

On SU /390, the diagnostic data of the VM2000 hypervisor is also contained in the SLED of the monitor system (dump file section `VM2HYPVS`).

x86 The SLED of the monitor system can be created by:

- An automatic restart after SETS in the monitor system (see [page 704](#))
- Loading the SLED explicitly via the SKP functions of the KVP console which is assigned to the monitor VM

The SLEDFILE contains no data of the Xen hypervisor or of domain 0 (X2000).

SLED for the whole VM2000 system (SU /390)

The SLED of the entire system can be created by explicitly loading the SLED in the same way as it is loaded in BS2000 operation without VM2000 or at a restart after VM2000 hypervisor termination (see [page 703](#)).

With the non-standard SLED you can specify the extent of the SLED output using the MODE parameter in response to message NSD3001:

- MODE=REAL
The entire main memory is output.
- MODE=STD
The VM2000 hypervisor main memory and the entire monitor system are output.
- MODE=ALL
The entire main memory and the complete monitor system are output.

Normally, SLED is output with MODE=STD (response Y or EOT to message NSD3001).

MODE=REAL or MODE=ALL should only be specified if it is clear that the main memory of the other VMs is required to diagnose the error in the VM2000 hypervisor or the monitor VM. This is only the case in exceptional situations.

8.5.2 Analyzing SLEDFILES with DAMP

The DAMP diagnostic routine enables a SLEDFILE to be diagnosed, see the “Diagnostics Handbook“ [4]. As the data of the VM2000 monitor is also contained in the SLED of a monitor system, VM2000 problems can also be analyzed here.

Analyzing the SLEDFILE for the monitor system or another guest system

On SU /390, the diagnostic data of the VM2000 hypervisor is also contained in the SLED of a guest system (dump file section VM2HYPVS).

The area of the dump file section VM2HYPVS can be addressed and output in a dump window (W4 to W9, W21-W99) by DAMP:

ASEL='SCT' The ASEL input field (address space selector) determines the output of a dump file section in this case.

ASID='VM2HYPVS'

The ASID input field (address space identifier) contains the name of the dump file section.

```
DAMP <version> SLED(19.0) from BS2000(19.0)      <date> <time>
+00000= 001000 SCT=VM2HYPVS                      W4,D ,L19
00001000 (00000):D7C9C401 00001024 00000000 E5D4F2F0 <==> PID????????VM20
00001010 (00010):F0F04040 E5F1F14B F5C1F0F0 F0F00000 <==> 00 V11.5A0000??
00001020 (00020):00000000 00470101 FFFFFFFF D7C9C401 <==> ????????~??~PID?
00001030 (00030):00000000 00000000 E2E8E2E2 E3C1D9E3 <==> ????????SYSSTART
00001040 (00040):E5F2F04B F0C1F0F0 F0F00601 00000000 <==> V20.0A0000??????
00001050 (00050):00000000 00000010 E85CE3C5 E2E3C1D4 <==> ????????Y*TESTAM
00001060 (00060):C5D5E35C 00000000 00400000 00E8C4D6 <==> ENT*????? ????YDO
```

Figure 28: Output as of address 1000 in the dump file section VM2HYPVS

Analyzing the SLEDFILE for the whole VM2000 system (SU /390)

A SLED with a VM2000 dump object (SLED of the whole VM2000 system) or a SLED with a virtual machine dump object can be analyzed using DAMP.

In the input field “mode select”, columns 74-76 for the status window (W2) of DAMP, the information output can be controlled by various modes (INF, TSK, PLK, SLK). The INF mode is set automatically if the dump file contains more than one object, e.g. in the case of a SLED with the dump object VM2000.

In INF mode, the following information on the dump object VM2000 is displayed:

- Type of the dump generator of the object to be analyzed.
- Contents of the product ID; these include the name and version of the product, as well as the address of the so-called dump testament, if any (contains internal SLED information).
- Overview of the virtual machines that have been created in the overall system.
- Overview of the virtual machines contained in the dump. By default, the VM2000 hypervisor (HYP) is selected with absolute addressing. A guest system on the VM (VM01, VM02, ...) is selected by marking.

```
DAMP <version> SLED(20.0) from VM2000(11.5)

Analyzed Object: VM2000   V11.5A0000           TID=           TSN=           W2,INF,L19
Dumpfile:   :4IVV:$TSOS.SLEDFILE
                                           (No Selection)

Generator Name: SLED      (STD)           Generator Version: <version>
Product Name:   VM2000           Product Version:   V11.5A0000
Address of Dump-Testament: 00001024 (absolut)

Time of creating SLED:  <date> <time>
Information about VM2000: Hypervisor pages FROM 0000 TO 07FF
VMs created by VM2000:  HYP  VM01

VMs dumped by SLED and their page boundaries
VM01: 000800 - 0107FF

CMD:
Key: 1=Help 2=Inf 3=PCB 4=Dump   5=Dump   6=Dump   7=Dump   8=Dump   9=Dump
```

Figure 29: Information screen in the status window (W2). Dump generator SLED. Dump object VM2000

In the input field ASEL (address-space selector) for a dump window (W4 through W9, W21-W99) of DAMP, real or absolute addressing is possible with the dump object VM2000:

ASEL='ABS' The address space is the absolute main memory. The VM2000 guest system can be addressed with absolute addresses:

```

DAMP <version> SLED(20.0) from VM2000(11.5) <date> <time>

                                +00000= 001000 ABS=00000000          W4,D ,L19
00001000 (00000):D7C9C401 00001024 00000000 E5D4F2F0 <==> PID????????VM20
00001010 (00010):F0F04040 E5F1F14B F5C1F0F0 F0F00000 <==> 00 V11.5A0000??
00001020 (00020):00000000 00470101 FFFFFFFF D7C9C401 <==> ??????????BBBBBPID?
00001030 (00030):00000000 00000000 E2E8E2E2 E3C1D9E3 <==> ??????????SYSSTART
00001040 (00040):E5F2F04B F0C1F0F0 F0F00601 00000000 <==> V20.0A0000??????
00001050 (00050):00000000 00000010 E85CE3C5 E2E3C1D4 <==> ??????????Y*TESTAM
00001060 (00060):C5D5E35C 00000000 00400000 00EBC4D6 <==> ENT*????? ????YDO
    
```

Figure 30: Output from absolute address 1000 in the dump object VM2000

ASEL='RM' The address space is the real main memory in the selected guest system:

```

DAMP <version> SLED(20.0) from VM2000(11.5) <date> <time>

                                +00000= 001000 RM =00000000          W4,D ,L19
00001000 (00000):D7C9C401 00000000 00000000 C2E2F2F0 <==> PID????????BS20
00001010 (00010):F0F04040 E5F2F04B F0C1F0F0 F0F00000 <==> 00 V20.0A0000??
00001020 (00020):00000000 E7E5E3F4 FFFFFFFF 7259B008 <==> ???XVT4----????
00001030 (00030):7ED7E040 710011B8 FFFFFFFF 71001274 <==> =P? ????"???
00001040 (00040):7143F3C0 710011A4 7F8C4EE0 72766340 <==> ??3????u"?+????
00001050 (00050):71001208 710016F0 FFFFFFFF 71001208 <==> ???????0----????
00001060 (00060):FFFFFFF FFFFFFFF FFFFFFFF 7FE10000 <==> ????????"???
    
```

Figure 31: Output as of real address 1000 in a guest system

Glossary

Only terms specific to VM2000 are included in this glossary. It is assumed that the user is already familiar with terms from other operating systems used, from the hardware-software interface (HSI) and BS2000.

Cross-references to other terms are printed in *italics*.

ADMIN dialog

Synonym for the administration dialog of the *VM administrator* for operating his/her VM or of the *VM2000 administrator* for operating *VM2000* via a privileged user task or via *\$VMCONS*.

assignment set

Assignment sets are groups of devices with the `ASSIGN-BY-GUEST` attribute which, for organizational reasons, are regarded as a unit for implicit device assignment to VMs. Each device which is envisaged for implicit assignment to a VM must have the `ASSIGN-BY-GUEST` attribute and should be assigned to precisely one assignment set.

assignment mode

Type of assignment of a device or the devices of a subset under VM2000:

- usable by only one VM (`EXCLUSIVE`)
- usable by multiple VMs (`SHARED`) with direct (`SH(D)`) or indirect (`SH(I)`) I/O processing

BS2000 VM

Virtual machine with a BS2000 guest system.

Configuration Raw Device (CRD)

Special system disks for storing configuration data.

CPU share

The CPU share of a VM is the share of the CPU capacity of the *CPU pool* which the VM may use or is using in a time period.

CPU share, effective

Planned value for the *CPU share* of the *CPU pool's* CPU capacity which a VM has under idealized conditions.

CPU share, current

Planned value for the *CPU share* of the *CPU pool's* CPU capacity which a VM has, using the current values of the active objects for VM2000 operation. Comparison value for measurements under VM2000.

CPU pool

Combination of real normal or extra CPUs to form an organizational unit.

guest system

Operating system which runs on a *virtual machine*.

HSI

Hardware-software interface. Depending on the application, the term is defined in detail as: *real HSI*, *virtual HSI*, *VM2000 HSI*.

hypervisor (VM2000 hypervisor)

Part of *VM2000* on SU /390 which controls the execution of the *guest systems* on the *virtual machines*. On SU x86 this function is executed by the Xen hypervisor.

hypervisor mode (VM2000 hypervisor mode)

Processor mode in *VM2000-HSI* on SU /390 with new registers and commands in which the *VM2000 hypervisor* runs.

monitor (VM2000 monitor)

Part of *VM2000* via which *virtual machines* are operated by means of *VM2000 commands*.

monitor system

Preferred *guest system* on which the *monitor* is located. It is the guest system on the *monitor VM*.

Monitor VM

Virtual machine on which the *monitor system* runs.

multiprocessor level

Mnemonic expression for the number of virtual CPUs of a VM.

persistent VM

VM with the PERSISTENT or “High-Availability VM” attribute. The *VM definition* of a persistent VM is still available after a reboot of the Server Unit or after / DELETE-VM.

real HSI

Hardware-software interface of a Server Unit which has not been supplemented by firmware components.

scheduling

When a VM is scheduled under VM2000 on SU /390, the VM2000 *hypervisor* starts an operable virtual CPU of a VM on a free real CPU. On SU x86 this function is executed by the Xen hypervisor.

VC dialog

Synonym for the dialog of the *guest system* operator via *\$VMCONS* for operating his/her *guest system*. On SU /390 the *virtual console* is required for this.

virtual CPU (virtual processor)

CPU of a *virtual machine*.

virtual HSI

Hardware-software interface of a *virtual machine*.

virtual console

A virtual device which is generated as a physical console at hardware generation of the SU /390 but does not actually exist. If the virtual console is used as a console of the *guest system*, the message traffic is executed as a *VC dialog* via *\$VMCONS*. The virtual console is not used on SU x86.

virtual machine, VM

A virtual Server Unit for the user on which a *guest system* runs.

virtual machine system

Program system which offers several identical or different *virtual machines* on a real Server Unit.

VM

Abbreviation for *virtual machine*.

\$VMCONS

BCAM application in the *monitor system*; it controls and monitors the exchange of messages for operating the *VMs* (ADMIN dialog) and for operating the *guest systems* (VC dialog).

VM administrator

Administrator of a *VM*. He/she may issue only *VM administrator commands* (*ADMIN dialog*).

VM definition

Configuration definition of a *VM*.

VM administrator command

This is a command for use by the *VM administrator* and controls operation of a *VM*.

VM group

On SU /390, combination of *VMs* to form an organizational unit with its own attributes.

VM identification, VM-ID

Identification of a *VM* It can be the *VM index* or the *VM name*.

VM index

Whole number $n \geq 1$. Identifies the *VM* as *VM1* to *VMn*.

VM mode

Processor mode in *VM2000-HSI* on SU /390 in which the *virtual machines* run.

VM Migration

Migration of a (running) *VM* from the current Server Unit (source SU) to another Server Unit (target SU), while retaining its resources and without tangible interruption of the guest system operation. Synonym: Live Migration.

VM name

Name of a *VM* or *VM definition*. This identifies the *VM* in addition to the *VM index*.

VMn

Synonym for the *VM* with the *VM index* *n*.

VM2000

Name of the *virtual machine system* described here.

VM2000 administrator

Administrator of the *Monitor-VM*. Only he/she may input *VM2000 administrator commands* (*ADMIN dialog*).

VM2000 administrator command

Command for use by the *VM2000 administrator* for controlling the overall *VM2000* system.

VM2000 HSI

HSI which is offered by the Server Unit for an operating system (*real HSI*), on SU /390 with VM2000 extensions in the form of firmware components. The VM2000 HSI on SU /390 offers two processor modes, (*VM2000*) *hypervisor mode* and *VM mode*.

VM2000 command

Generic term for *VM2000 administrator command* and *VM administrator command*.

XenVM

Virtual machine on SU x86 with a Linux or Windows guest system.

usage mode

Type of usage of a device or the devices of a subset under VM2000:

- explicit (by the VM2000 or VM administrator)
- implicit (by the guest system)

Related publications

You will find the manuals on the internet at <http://manuals.ts.fujitsu.com>. You can order printed versions of manuals which are displayed with the order number.

- [1] **BS2000 OSD/BC
System Installation (SE Server)**
User Guide
- [2] **BS2000 OSD/BC
Introduction to System Administration (SE Server)**
User Guide
- [3] **BS2000 OSD/BC
Utility Routines**
User Guide
- [4] **BS2000 OSD/BC
Diagnostics Handbook**
User Guide
- [5] **DRV (BS2000)
Dual Recording by Volume**
User Guide
- [6] **ELSA (BS2000)
Error Logging System Analysis**
User Guide
- [7] **RAV (BS2000)
Computing Center Accounting Procedure**
User Guide
- [8] **openNet Server
BCAM**
User Guide
- [9] **openSM2 (BS2000)
Software Monitor**
User Guide

- [10] **HIPLEX MSCF (BS2000)**
BS2000-Processor Networks
User Guide
- [11] **SECOS (BS2000)**
Security Control System - Access Control
User Guide
- [12] **OMNIS/OMNIS-MENU (BS2000)**
Functions and Commands
User Guide
- [13] **BS2000 OSD/BC**
Commands
User Guide
- [14] **IMON (BS2000)**
Installation Monitor
User Guide
- [15] **PROP-XT (BS2000)**
Programmed Operating with SDF-P
Product Manual
- [16] **BS2000 OSD/BC**
Executive Macros
User Guide
- [17] **JV (BS2000)**
Job Variables
User Guide
- [18] **BS2000 OSD/BC**
Performance Handbook
User Guide
- [19] **FUJITSU Server BS2000 SE Series**
Operation and Administration
User Guide
- [20] **SHC-OSD (BS2000)**
Storage Management for BS2000
User Guide

Index

\$CONSOLE 106, 107
\$TSOS.SYS.VM.SHUTDOWN 168, 678
\$VMCONS, see VMCONS

A

absolute address 310
accounting 20
 device 325
 in VM2000 410
 main memory 310
 pubset 344
accounting procedure 255
accounting record
 for a VM 136, 411, 517
 for devices 411, 414
 structure 413
ACTIVATE-VM-DEFINITION 204, 437
activating
 VM definition 204, 437
ADD-VM-DEVICES 439
 for the monitor VM 60, 73
ADD-VM-TO-VM-GROUP 152, 220, 444
adding VM to VM group 444
additional mirror unit 357
addressing pubset 343
ADMIN dialog 91, 153, 717
 example 97
 via \$VMCONS 112
 via user task 93
administration application \$VMCONS
 see VMCONS
administration dialog 91
agent, VM2000 34
alias device (PAV) 380, 542
allocating devices to a VM 324, 439
analysis program
 DAMP 714
 VMDUMP 708
Application Unit 23
architecture SE server 23
ASSIGN-BY-GUEST (operand) 471, 487, 516,
 534
ASSIGN-VM-GROUP-TO-CPU-POOL 153, 277,
 446
ASSIGN-VM-TO-CPU-POOL 153, 277, 448
assigning
 devices to a VM 152
 pubsets to a VM 152, 345
 VM group to CPU pool 446
 VM to a CPU pool 448, 465
 VM1 to a CPU pool 59
assignment mode 717, 721
assignment set 152, 160, 326, 346, 717
asynchronous messages 95
ATTACH-DEVICE 241, 263, 307
ATTACH-VM-RESOURCES 262, 451
attaching, real CPU 451
attributes of a VM 159
 assigning 135, 465, 478
 modifying 160, 521
 VM definition 203
attributes of a VM group
 assigning 219, 489
 modifying 546
authorization code 102, 106
AUTO-SNAP-ASSIGNMENT (operand) 471,
 486, 516, 534
automatic restart of the monitor system 704
automatic restart of VM2000 703
AUTOMATIC-STARTUP 61, 70

B

backup file for VM2000 configuration 401
 example 406
 location 401
 Structure of the contents 401
 XML document 401
base device 380
 assigning to VM 382
 usage mode 382, 542
BCAM line connection 388
BCV 357
BEGIN-VM-DIALOG 94, 112, 115, 153, 455
BI (multiprocessor level) 469, 481, 526
Boolean (data type of the S variables) 433
BS2000 console 102
BS2000 device 37, 49
BS2000 procedures 127
BS2000 VM 717
Business Continuance Volume 357

C

CALL-VM-PROCEDURE 93, 458
cancel the wait state of a VM 570
capacity increasing 266
Capacity on Demand 266
carrier system 33
changing
 usage mode of a device 330, 542
 usage mode of a pubset 349
channel 392
channel reconfiguration 308
Channel Subsystem Monitoring Facility 41, 421, 648
CHECK-VM-DISK-CONFIGURATION 461
CHECK-VM-MIGRATION 463
checking
 VM Migration 463
 VM2000 disk configuration 461
clone unit 357
color control 115, 119
combining operating levels (\$VMCONS) 111

command range 135, 141, 465, 478, 521
 extend 234, 471, 486, 515, 517, 534
 modifying 512
 restrict 234, 471, 515
command return code 431
command sequences 127
command/function range for the VM2000
 administrator 59
commands of VMHEL 419
communication devices 372
configuration
 in X2000 62
 of peripherals 47
 redundant 47
configuration file
 for the monitor system 58, 70, 72, 73
configuration notes 391
 for HNC 387
configuration properties, device 245
Configuration Raw Device (CRD) 371, 717
configuring
 monitor system 51
connection name 109, 111
CONSLOG file 95, 113
console
 BS2000 102
 logical 106
 virtual, see virtual console
console distribution program 104
constraints 40
 hardware 40, 41
 software 41
 VM2000 41
contents of the S variables 433
context of a VM 31
continuation lines 458
controller 392
coordinated shutdown 83, 169
CPU
 real 257
 virtual 259
CPU capacity parameters 283
CPU intensity 296
CPU management 255

- CPU pool [20](#), [37](#), [135](#), [140](#), [219](#), [220](#), [465](#), [478](#),
[521](#), [718](#)
 - adding a VM [269](#)
 - adding a VM group [269](#)
 - adding CPU [269](#), [276](#)
 - and scheduling [295](#), [296](#)
 - assigning VM [277](#)
 - creating [276](#)
 - example [278](#)
 - information [277](#)
 - managing [269](#)
 - name [276](#)
 - operating [270](#)
 - VM group [220](#)
- CPU quota [135](#), [139](#), [283](#), [296](#), [465](#), [478](#), [489](#),
[512](#), [521](#), [546](#)
 - for a VM group [219](#)
 - for the monitor VM [58](#)
 - member VM [220](#)
- CPU reconfiguration [255](#), [262](#)
- CPU share [717](#)
 - current [718](#)
 - effective [718](#)
 - planning [285](#)
 - recommendation [286](#)
- CPU time consumed [296](#), [420](#), [660](#)
- CPU time used [296](#)
- CPU utilization [135](#), [139](#), [217](#), [219](#), [465](#), [478](#),
[489](#), [521](#), [546](#)
- CPU-POOL-NAME (operand) [452](#), [468](#), [469](#),
[477](#), [482](#), [490](#), [494](#), [498](#), [527](#), [581](#), [594](#), [619](#),
[630](#), [639](#), [662](#)
- CPU-QUOTA (operand) [446](#), [448](#), [468](#), [469](#), [482](#),
[486](#), [489](#), [514](#), [527](#), [533](#), [546](#), [564](#)
- CRD [371](#), [717](#)
- CREATE-VM [135](#), [259](#), [465](#)
 - for the monitor VM [58](#), [73](#), [135](#), [465](#)
- CREATE-VM-ASSIGNMENT-SET [476](#)
- CREATE-VM-CPU-POOL [276](#), [477](#)
- CREATE-VM-DEFINITION [478](#)
- CREATE-VM-GROUP [153](#), [219](#), [277](#), [489](#)
 - creating
 - assignment set [476](#)
 - CPU pool [276](#), [477](#)
 - persistent VM [478](#)
 - VM according to VM definition [204](#)
 - VM definition [200](#), [203](#)
 - VM group [219](#), [489](#)
 - current CPU share [718](#)
- D**
- DAMP [714](#)
- data center [20](#)
- data spaces [310](#)
- data type
 - S variables [433](#)
- dedicated CPU [144](#), [294](#), [472](#), [483](#), [516](#), [528](#)
- DEFINE-CONSOLE [105](#)
- DELETE-VM [87](#), [172](#), [221](#), [277](#), [491](#), [495](#)
- DELETE-VM-ASSIGNMENT-SET [493](#)
- DELETE-VM-CPU-POOL [278](#), [494](#)
- DELETE-VM-GROUP [222](#), [277](#), [496](#)
- deleting
 - assignment set [493](#)
 - CPU pool [494](#)
 - VM definition [206](#)
 - VM group [496](#)
- DETACH-DEVICE [242](#), [263](#), [307](#)
- DETACH-VM-RESOURCES [262](#), [497](#)
- detaching real CPUs [497](#)
- device [392](#)
 - accounting [325](#)
 - assigning attribute [538](#)
 - BS2000 [37](#), [49](#)
 - change configuration properties [245](#)
 - changing usage mode of [542](#)
 - emulated [37](#), [49](#)
 - example [332](#)
 - exclusive use [330](#)
 - outputting information [614](#)
 - shared use [330](#)
 - snap unit [372](#)
 - the monitor VM [324](#)

- device assignment [324](#)
 - explicit [325](#)
 - implicit [238, 326](#)
- device name [324](#)
- device name, mnemonic [324](#)
- device peripherals [47, 48, 49, 323](#)
- device range
 - specifying [440, 485, 530, 531, 533, 540, 543, 560, 616, 637, 691](#)
- device release [324](#)
- device type code, unknown [48, 50](#)
- devices
 - allocate to a VM [439](#)
 - deallocate from a VM [559](#)
 - deallocate from one VM and allocate to another [689](#)
- diagnostic IPL [155](#)
- DIALOG-STARTUP [61, 70, 71](#)
- domain [33](#)
 - BS2000 [68](#)
 - Linux, Windows [33](#)
 - MONITOR [33, 68](#)
- domain 0 [33](#)
- DRV [356](#)
- dual mode (DRV) [356](#)
- Dual Recording by Volume [356](#)
- dump testament [715](#)
- dynamic I/O configuration modification [394](#)
 - channel devices [394](#)
 - devices on X2000 [395](#)
- dynamic PAV [383](#)
- dynamic reconfiguration of main memory [315](#)

E

- effective CPU share [718](#)
- end tag [401](#)
- END-VM-DIALOG [94, 112, 116, 166, 501](#)
- enlarging main memory for a VM [316, 503](#)
- error [431](#)
 - during VM2000 startup [697](#)
 - in monitor [699](#)
 - in the hypervisor [697](#)
 - in the VM2000 Agent [696](#)
 - in the Xen hypervisor [696](#)
 - in VMCONS [699](#)
- error class [431](#)
- error logging system [417](#)
- error types in VM2000 [695](#)
- errors
 - in the guest system [700](#)
 - in the monitor system [701](#)
- ETERNUS DX [372](#)
- example
 - \$VMCONS [121](#)
 - ADMIN dialog from a user task [97](#)
 - managing CPU pool [278](#)
 - managing CPUs [298](#)
 - MONJV [150, 320](#)
 - operating VM groups [223](#)
 - PAV [384](#)
 - peripheral device management [332](#)
 - PROP-XT [130](#)
 - pubset management [359](#)
 - shutdown [84](#)
 - startup [74](#)
 - VM definition [207, 213](#)
- exclusive device [330](#)
- executing
 - shutdown in the guest system [168, 676](#)
 - shutdown of VM2000 [81](#)
- explicit device assignment [325](#)
- explicit pubset assignment [345](#)
- EXTEND-VM-MEMORY [503](#)
- extra CPU [266, 451, 497](#)

F

failure of a real CPU 262
FAST-STARTUP 61, 70
file \$TSOS.SYS.VM.SHUTDOWN 168, 678
firmware for VM2000 30
foreign pool 37
functions of VMCONS 107

G

gatekeeper device 357
generation
 hardware 47
global HOLD-VM 162
global interrupts 31
global RESUME-VM 164
GS prefix 117, 456
guaranteed messages 432
guest system 25, 26, 718
 and VM2000 238
 initializing 87
 installing 65
 operating 87
 shutdown 168, 676
 terminating 87

H

hardware constraints 41
hardware error logging 255, 417
hardware generation 47
HEL file 417
HELP-MSG-INFORMATION 431
high availability 264
HIPLEX MSCF 374
HNC 387
HOLD-VM 162, 507
home pubset 53, 55, 60, 61, 64, 108, 246, 327,
 344, 347
hot spare CPU 264
HSI 27, 718
 of the SU /390 27
 of the SU x86 27
 virtual 27

hypervisor 26, 30, 718
 VM2000 26
 Xen 26, 703
hypervisor file 46, 70, 72
hypervisor mode 31, 718
hypervisor REP file 55, 70, 72
hyphen as continuation character 458

I

I/O configuration 394
I/O configuration modification 48, 49, 240
I/O limit 393
I/O utilization 135, 139, 393, 465, 478, 521
identification VM-ID 136, 459
IMON 45
implementation of VMCONS 107
implicit device assignment 326
implicit pubset assignment 346
INCLUDE-DEVICE-CONNECTION 243, 307
information
 on assignment sets 158
 on CPU pools 158, 277
 on devices 158
 on load 158
 on resources 157
 on the VM status 159
 on VM definitions 159
 on VM groups 158
 on VM2000 238
 services 157
initializing
 a guest system 87
 a VM 135, 465
installation monitor 45
installing
 the configuration file 58
 the guest systems 65
 the hypervisor REP file 55
 the message file 54
integer (data type of the S variables) 433
interruption-free time switching 412
interrupts
 global 31
 local 31

IO-PRIORITY (operand) [471](#), [486](#), [515](#), [534](#)

IO-RESET (operand) [471](#), [486](#), [515](#), [534](#)

IOCF file [47](#), [48](#)

IOLVM [393](#)

IORM [383](#), [392](#)

J

job variable

 for reconfiguration [317](#)

job variable for \$VMCONS [108](#)

job variables [145](#), [185](#)

K

KVP (console distribution program) [104](#)

KVP console [102](#), [104](#)

L

load library for VM2000 monitor [45](#)

load library for VMDUMP [46](#)

local HEL file [418](#)

local interrupts [31](#)

LOCATION (operand) [470](#), [549](#)

location of monitor VM [59](#)

location of the VM [135](#), [138](#), [200](#), [203](#), [204](#), [465](#),
[470](#), [549](#)

logging under VM2000 [95](#), [113](#)

logical console [87](#), [102](#), [106](#), [116](#)

M

machine check [265](#)

macro VMGINF [238](#)

main memory

 accounting [310](#)

 assigning [313](#), [314](#)

 enlarging [316](#), [503](#)

 management [310](#)

 minimum size [137](#)

 reconfiguring [315](#)

 reducing [317](#), [555](#)

main memory size of a VM [135](#), [137](#), [315](#), [465](#),
[478](#), [521](#)

main memory size of monitor VM [58](#), [311](#)

malfunction alert [265](#)

management

 of main memory [310](#)

 of pubsets [343](#)

 peripheral devices [255](#)

 pubsets [255](#)

 resources [38](#)

Management Unit [23](#)

managing

 CPU pools [269](#)

 VM definition [203](#)

MAX-CPU-UTILIZATION [284](#), [296](#)

 for the monitor VM [58](#)

MAX-CPU-UTILIZATION (operand) [468](#), [483](#),
[489](#), [527](#), [546](#)

MAX-IO-UTILIZATION

 for the monitor VM [59](#)

MAX-IO-UTILIZATION (operand) [468](#), [483](#), [528](#)

MAXIMUM (multiprocessor level) [469](#), [481](#), [526](#)

maximum CPU utilization [139](#), [217](#), [285](#)

maximum I/O utilization [139](#)

maximum main memory size

 monitor VM [58](#)

meaning [431](#)

measurement

 with openSM2 [421](#)

 with VM2000 [420](#)

member CPU quota [220](#), [465](#), [478](#), [521](#)

memory management [255](#)

memory space, contiguous [313](#)

message code [54](#), [431](#)

message file

 for VM2000 [70](#)

 for VM2000 monitor [45](#)

 for VMDUMP [46](#)

 installing [54](#)

message flow

 operating the guest system [118](#)

message tables [115](#), [119](#)

messages

 asynchronous [95](#)

 from the VM2000 hypervisor [54](#)

 from the VM2000 monitor [54](#)

 guaranteed [432](#)

 in the case of STARTUP [54](#)

- MIGRATE-VM **509**
 - MIGRATE-VM-DEFINITION **511**
 - migrating
 - VM **509**
 - VM definition **205**
 - minimum main memory size
 - monitor VM **58**
 - VM **137**
 - mirror pubset **356**
 - mnemonic device name **325**
 - MODIFY-IO-UNIT **245**
 - MODIFY-SYSTEM-PARAMETERS **307**
 - MODIFY-VM-ATTRIBUTES **160, 221, 512**
 - MODIFY-VM-DEFINITION **521**
 - MODIFY-VM-DEVICE-ATTRIBUTES **538**
 - MODIFY-VM-DEVICE-USAGE **542**
 - MODIFY-VM-GROUP-ATTRIBUTES **221, 546**
 - MODIFY-VMCONS-PARAMETERS **166, 547**
 - modifying
 - attribute of a device **538**
 - attributes of a VM group **546**
 - VM attributes **160, 512**
 - VM definition **204, 521**
 - VMCONS parameters **166, 547**
 - monitor **25, 718**
 - monitor system **25, 718**
 - configuring **51**
 - deadlock **702**
 - initializing **70**
 - shutdown **81, 82**
 - starting **69**
 - terminating **86**
 - monitor VM **25, 145, 718**
 - assigning attributes **58**
 - monitored data of VM2000
 - outputting **158, 420, 659**
 - MONJV **145, 185, 317**
 - beginning and end **145, 185, 317**
 - display **148, 187, 319**
 - example **150, 320**
 - location **145, 146, 185, 317, 318**
 - protection **145, 185, 318**
 - system part **147, 186, 318**
 - terminating the system abnormally **149, 187, 319**
 - user part **147, 186, 318**
 - validity **145, 185, 317**
 - values **147, 186, 318**
 - MONO (multiprocessor level) **469, 481, 526**
 - mono mode (DRV) **356**
 - MOVE-VM **165, 549**
 - moving a VM **165, 549**
 - MSCF **374**
 - MSCF-COORDINATED (operand) **550**
 - MSGFIL **54**
 - MSGNOFL **54**
 - multiprocessor level **135, 465, 478, 521, 718**
 - for a VM **140, 259**
 - of monitor VM **59, 141, 259**
 - multiprocessor network **374**
- ## N
- name
 - assignment set **476, 493, 575**
 - CPU pool **477**
 - VM **467, 525**
 - VM definition **437, 480**
 - VM group **489**
 - name components of the S variables **433**
 - Net Unit **23, 24**
 - network connection **387**
 - non-persistent
 - VM definition **200**
 - non-S procedures **93**
 - normal CPU **264**
 - normal unit **357**
 - notational conventions **18**

O

OCTO (multiprocessor level) [469](#), [481](#), [526](#)
OMNIS [106](#), [109](#)
 connection name [111](#)
openSM2 [239](#), [421](#)
operating [91](#)
 a CPU pool [270](#)
 a guest system [87](#), [91](#)
 a guest system via \$VMCONS [114](#)
 a guest system via a virtual console [114](#), [371](#)
 a VM [91](#), [133](#)
 a VM in the ADMIN dialog [94](#), [112](#), [115](#)
 the VM2000 as a whole [90](#), [227](#)
OPERATING (privilege) [94](#)
operating concept of VM2000 [90](#)
operating levels
 combining (\$VMCONS) [111](#)
 of VM2000 [90](#)
 splitting (\$VMCONS) [110](#)
operating mode [32](#), [33](#)
operating modes [68](#)
operation
 of a VM group [218](#)
operator ID for \$VMCONS [64](#)
operator role for \$VMCONS [65](#)
OPERID password [166](#), [547](#)
OPNCON command [109](#)
original unit [357](#)
output
 assignment set [575](#)
 attributes of a CPU pool [158](#), [594](#)
 attributes of a VM definition [601](#)
 attributes of a VM group [158](#), [629](#)
 device information [158](#), [614](#)
 in S variables [433](#)
 monitored data of VM2000 [158](#), [659](#)
 status of VM2000 resources [157](#), [635](#)
 VM attributes [578](#)
 VM definition [159](#), [205](#)
overdimensioned VM [259](#), [263](#), [268](#), [272](#), [274](#)

P

Parallel Access Volume [380](#)
parameter file, automatic selection [57](#)
parameter service [41](#), [56](#)
parameter set OPR [105](#)
PARMS field [682](#)
pass message to VM administrator [573](#)
password
 dialog access [59](#), [135](#), [141](#), [455](#), [465](#), [478](#),
 [515](#), [521](#), [547](#), [548](#)
 for MONJV [437](#), [473](#), [505](#), [510](#), [557](#)
 for UCON [166](#), [547](#)
 modifying [512](#)
 of VMCONS [166](#), [547](#)
password protection [255](#)
 in a VM [410](#)
 VMCONS [107](#), [410](#)
path [392](#)
PAV (Parallel Access Volume) [380](#)
 dynamic [383](#)
 example [384](#)
 static [382](#)
performance [21](#)
persistent
 VM definition [200](#)
privilege
 OPERATING [87](#), [94](#)
 VIRTUAL-MACHINE-ADMINISTRATION [93](#)
 VM2000-ADMINISTRATION [93](#)
privilege concept (SRPM) [93](#), [240](#)
privileges of the VM [135](#), [142](#), [160](#), [465](#), [478](#),
 [512](#), [521](#)
procedure file [458](#)
PROCESSOR (operand) [469](#), [481](#), [526](#)
program file
 for VM2000 hypervisor [46](#)
 for VMDUMP [46](#)
pubset
 accounting [344](#)
 addressing [343](#)
 devices [343](#)
 example [359](#)
 exclusive use [349](#)
 managing [343](#)

- pubset
 - mirror pubset 356
 - shared use 349
 - pubset assignment
 - explicit 345
 - implicit 346
 - pubset device 343
 - pubset name 343
- Q**
- QUADRO (multiprocessor level) 469, 481, 526
 - QUICK-STARTUP 61
 - QUIET state 168
- R**
- Readme file 16
 - real CPU 257
 - adding to a CPU pool 269
 - attaching 451
 - detaching 497
 - reconfiguring 262
 - status 258
 - real HSI 27, 719
 - reconfiguration
 - channel 308
 - hardware units 240, 307
 - paths 307
 - real CPU 262
 - virtual CPU 263
 - reconfiguring
 - main memory 315
 - RECOVER-VM-DEFINITION 553
 - REDUCE-VM-MEMORY 555
 - reducing main memory for a VM 317, 555
 - redundant configuration 47
 - release item 45
 - release unit 45
 - REMARK 458
 - Remote service 105
 - REMOVE-DEVICE-CONNECTION 244, 307
 - REMOVE-VM-DEVICES 559
 - REMOVE-VM-FROM-VM-GROUP 152, 221, 564
 - removing devices 559
 - removing VM from VM group 564
 - REP file
 - for BS2000 70
 - for VM2000 70
 - for VM2000 hypervisor 70
 - RESET-VM 167, 566
 - resource management 38, 160
 - resources 392
 - restart 86, 149, 700, 703
 - monitor system 706
 - restart routines of VM2000 703
 - RESTORE-VM-CONFIGURATION 398, 568
 - restoring
 - VM definition 206, 553
 - RESUME-VM 570
 - RMS file
 - for VM2000 hypervisor 46
 - for VM2000 monitor 45
 - for VMDUMP 46
 - RMS selectable unit 46
 - RUN file 127
 - running virtual CPUs on real CPUs 261
- S**
- S procedures 93, 127
 - S variables 157, 433
 - contents 433
 - data type 433
 - name components 433
 - SAVE-VM-CONFIGURATION 397, 572
 - scheduling 261, 294, 719
 - fixed CPU assignment 294
 - time slicing 294
 - SDF 93
 - SDF syntax file for VM2000 monitor 45
 - SDF-P 127, 157, 432, 433
 - SE Manager 24, 32, 33, 35, 89
 - VM2000 functions 236
 - SE server 23
 - architecture 23
 - selective HOLD-VM 162
 - selective RESUME-VM 164
 - self-loading BS2000 systems 39
 - SEND-VM-MESSAGE 165, 573

- Server Unit [23](#)
- Server Unit /390 [24](#)
- Server Unit x86 [24](#)
- Service Level Agreements [20](#)
- SET-LOGON-PARAMETERS [94](#)
- SET-NAME (operand) [476](#), [493](#), [575](#)
- SETS
 - in the guest system [700](#)
 - in the monitor system [701](#)
 - monitor system [703](#)
 - restart [703](#)
- shared device [374](#), [441](#)
- shared use [441](#)
- shared use of disks [374](#)
- SHOW-DEVICE-CONFIGURATION [238](#), [251](#), [307](#)
- SHOW-SYSTEM-INFORMATION [238](#), [246](#)
- SHOW-VM-ASSIGNMENT-SET [575](#)
- SHOW-VM-ATTRIBUTES [159](#), [578](#)
- SHOW-VM-CPU-POOL [158](#), [277](#), [594](#)
- SHOW-VM-DEFINITION [159](#), [205](#), [601](#)
- SHOW-VM-DEVICE-STATUS [158](#), [614](#)
- SHOW-VM-GROUP [158](#), [222](#), [629](#)
- SHOW-VM-RESOURCES [157](#), [635](#)
- SHOW-VM-STATUS [158](#), [420](#), [659](#)
- SHUTARCH [170](#)
- SHUTCTL [169](#), [677](#)
- shutdown [81](#), [83](#), [87](#), [168](#), [172](#), [676](#)
 - coordinated [84](#), [169](#)
 - example [84](#)
 - for the monitor system [86](#)
 - guest system [168](#)
 - QUIET state [168](#)
 - VM2000 [81](#), [168](#), [676](#)
- SHUTDOWN-VM [676](#)
- SLED [39](#), [712](#)
- SLEDFILE [712](#)
- snap unit [372](#)
- Snapset [372](#)
- SoftBooks [54](#)
- software constraints [41](#)
- spare CPU [264](#)
- splitting the operating levels (\$VMCONS) [110](#)
- SPVS operation [374](#)
- SRDF [358](#)
- standard CPU pool [37](#), [269](#)
- standard file name
 - configuration file [58](#)
 - hypervisor files [55](#)
 - overview [45](#)
- start
 - ADMIN dialog [153](#)
 - ADMIN dialog or VC dialog [455](#)
 - guest system on a VM [154](#), [680](#)
- start procedure file [458](#)
- start tag [401](#)
- START-VM [154](#), [680](#)
- startup [71](#), [74](#)
- state of VM
 - at shutdown [171](#)
 - at termination [172](#)
 - DOWN [134](#)
 - IN HOLD [134](#), [156](#)
 - INITIALIZED [134](#)
 - NOT INITIALIZED [134](#)
 - on guest system termination [167](#)
 - RUNNING [134](#), [156](#), [162](#)
- state, changing
 - by means of DELETE-VM [173](#)
 - by means of HOLD-VM [162](#)
 - by means of RESET-VM [167](#)
 - by means of RESUME-VM [162](#), [164](#)
 - by means of SHUTDOWN-VM [171](#)
 - by means of START-VM [156](#)
- statement DEFINE-CONSOLE [105](#)
- static PAV [382](#)
- status
 - of a VM [135](#)
 - real CPU [258](#)
 - virtual CPU [260](#)
- status diagram of a VM [134](#)
- STEP [458](#)
- string (data type of the S variables) [433](#)
- structured S variables [93](#)
- SU /390 [24](#)
 - architecture [27](#)
 - constraints [40](#)
 - implementation of VM2000 [29](#)

SU x86 [24](#)
 architecture [27](#)
 implementation of VM2000 [29, 40](#)
subsystem
 VM2-MON [45](#)
subsystem catalog for VM2000 monitor [45](#)
SWITCH-VM-CPU [276, 685](#)
SWITCH-VM-DEVICES [689](#)
Symmetrix
 BCV [357](#)
 clone [357](#)
 gatekeeper device [357](#)
 SRDF [358](#)
Symmetrix Remote Data Facility [358](#)
system parameter
 MSGFIL [54](#)
 MSGNOFL [54](#)
 SHUTARCH [170](#)
 SHUTCTL [169, 677](#)
 VMGIORAL [307](#)
system reset [142, 155](#)
system task [51, 699, 707](#)

T
target unit [358](#)
task termination, abnormal [703](#)
terminate
 a guest system [167, 566](#)
terminate VM [162, 507](#)
terminating
 a guest system [87](#)
 a VM [172, 491, 495](#)
 ADMIN dialog [166](#)
 ADMIN dialog or VC dialog [501](#)
The [119](#)
trace entries [160, 512](#)
trace functions [711](#)
transferring information [145](#)
TRIPLE (multiprocessor level) [469, 481, 526](#)

U
UCON task [106](#)
unknown device type code [48, 50](#)
usage mode
 of a device [330](#)
 of a pubset [349](#)
user task [87](#)
utility routine VMDUMP [26, 708](#)

V
VC dialog [114, 719](#)
virtual console [103, 371, 719](#)
 assigning [441](#)
 operating concept [114](#)
virtual CPU [719](#)
 reconfiguration [263](#)
 status [260](#)
virtual CPUs [140, 259](#)
virtual HSI [27, 719](#)
virtual machine [25, 719](#)
virtual machine system [13, 719](#)
VIRTUAL-MACHINE-ADMINISTRATION
 (privilege) [93](#)
VM [719](#)
 adding to a CPU pool [269](#)
 devices [521](#)
 location [135, 138, 200, 203, 204, 465, 470, 549](#)
 migrating [509](#)
VM administration [91](#)
VM administrator [91, 720](#)
 of the monitor VM [133](#)
 send message [165, 573](#)
VM administrator command [91, 228, 424](#)
VM administrator commands [720](#)
 privileged functions [229, 232](#)

- VM definition [371](#), [720](#)
 - activating [204](#), [437](#)
 - attributes of a VM [203](#)
 - creating [200](#), [203](#), [465](#), [478](#)
 - deleting [206](#)
 - example [207](#), [213](#)
 - managing [203](#)
 - migrating [205](#), [511](#)
 - modifying [204](#), [521](#)
 - non-persistent [200](#)
 - output [159](#), [205](#)
 - persistent [200](#), [473](#), [478](#)
 - restoring [206](#), [553](#)
- VM global HEL file [418](#)
- VM group [20](#), [720](#)
 - adding to a CPU pool [269](#)
 - CPU pool [220](#)
 - creating [219](#)
 - deleting [496](#)
 - example [223](#)
 - VM added [135](#), [139](#), [465](#), [478](#), [521](#)
- VM identification [720](#)
- VM index [31](#), [94](#), [136](#), [459](#), [470](#), [480](#), [525](#), [720](#)
 - for a VM [135](#), [465](#), [478](#), [521](#)
 - for monitor VM [59](#)
- VM Migration [397](#), [720](#)
- VM mode [31](#), [720](#)
- VM name [136](#), [720](#)
 - as accounting ID [412](#)
 - for a VM [135](#), [465](#), [478](#), [521](#)
 - for the monitor VM [58](#)
 - naming recommendations [136](#)
- VM prefix [113](#), [456](#)
- VM-GROUP-NAME (operand) [444](#), [446](#), [489](#), [496](#), [546](#), [564](#)
- VM-ID [136](#), [459](#)
- VM, overdimensioned [259](#), [263](#), [268](#), [272](#), [274](#)
- VM1 [720](#)
- VM2-MON, subsystem [45](#)
- VM2000 [13](#), [720](#)
 - areas of application [19](#)
 - attributes [21](#)
 - changes [17](#)
 - concepts [20](#)
 - constraints [41](#)
 - coordinated shutdown [83](#)
 - hypervisor [26](#)
 - in guest systems [238](#)
 - in the data center [20](#)
 - in the SE Manager [236](#)
 - initializing [67](#)
 - monitor [25](#)
 - shutdown [81](#), [168](#), [676](#)
- VM2000 administration [90](#)
- VM2000 administration application \$VMCONS, see VMCONS
- VM2000 administrator [90](#), [133](#), [227](#), [720](#)
- VM2000 administrator command [228](#), [424](#)
- VM2000 administrator commands [721](#)
- VM2000 agent [34](#), [695](#), [696](#)
 - abnormal termination [703](#)
 - restart [703](#)
- VM2000 command description
 - ACTIVATE-VM-DEFINITION [204](#), [437](#)
 - ADD-VM-DEVICES [439](#)
 - ADD-VM-TO-VM-GROUP [444](#)
 - ASSIGN-VM-GROUP-TO-CPU-POOL [446](#)
 - ASSIGN-VM-TO-CPU-POOL [448](#)
 - ATTACH-VM-RESOURCES [451](#)
 - BEGIN-VM-DIALOG [455](#)
 - CALL-VM-PROCEDURE [458](#)
 - CHECK-VM-DISK-CONFIGURATION [461](#)
 - CHECK-VM-MIGRATION [463](#)
 - CREATE-VM [465](#)
 - CREATE-VM-ASSIGNMENT-SET [476](#)
 - CREATE-VM-CPU-POOL [477](#)
 - CREATE-VM-DEFINITION [203](#), [478](#)
 - CREATE-VM-GROUP [489](#)
 - DELETE-VM [491](#)
 - DELETE-VM-ASSIGNMENT-SET [493](#)
 - DELETE-VM-CPU-POOL [494](#)
 - DELETE-VM-DEFINITION [206](#), [495](#)
 - DELETE-VM-GROUP [496](#)

- VM2000 command description
 - DETACH-VM-RESOURCES 497
 - END-VM-DIALOG 501
 - EXTEND-VM-MEMORY 503
 - HOLD-VM 507
 - MIGRATE-VM 509
 - MIGRATE-VM-DEFINITION 205, 511
 - MODIFY-VM-ATTRIBUTES 512
 - MODIFY-VM-DEFINITION 204, 521
 - MODIFY-VM-DEVICE-ATTRIBUTES 538
 - MODIFY-VM-DEVICE-USAGE 542
 - MODIFY-VM-GROUP-ATTRIBUTES 546
 - MODIFY-VMCONS-PARAMETERS 547
 - MOVE-VM 549
 - RECOVER-VM-DEFINITION 206, 553
 - REDUCE-VM-MEMORY 555
 - REMOVE-VM-DEVICES 559
 - REMOVE-VM-FROM-VM-GROUP 564
 - RESET-VM 167, 566
 - RESTORE-VM-CONFIGURATION 568
 - RESUME-VM 570
 - SAVE-VM-CONFIGURATION 572
 - SEND-VM-MESSAGE 573
 - SHOW-VM-ASSIGNMENT-SET 158, 575
 - SHOW-VM-ATTRIBUTES 578
 - SHOW-VM-CPU-POOL 158, 594
 - SHOW-VM-DEFINITION 159, 205, 601
 - SHOW-VM-DEVICE-STATUS 158, 614
 - SHOW-VM-GROUP 158, 629
 - SHOW-VM-RESOURCES 157, 635
 - SHOW-VM-STATUS 659
 - SHUTDOWN-VM 168, 676
 - START-VM 680
 - SWITCH-VM-CPU 685
 - SWITCH-VM-DEVICES 689
- VM2000 commands 228, 424, 427, 721
 - extending the command range 234, 235
 - grouping according to function 427
 - restricting the command range 234
 - restrictions 229, 233
- VM2000 configuration 397
 - backup file 401
 - change after the backup 398
 - Components not backed up 405
 - restore 255, 398, 568
 - save 255, 397, 572
- VM2000 dump 26, 708
- VM2000 errors 697
- VM2000 HSI 30, 31, 721
- VM2000 hypervisor 56
 - abnormal termination 703
 - restart 703
- VM2000 operation
 - terminating 81
- VM2000 parameter set 57
- VM2000 parameters 56
- VM2000 procedure file 127
- VM2000-ADMINISTRATION (privilege) 93
- VM2C task 51, 699, 707
- VM2E task 51, 699, 707
- VM2G task 51, 699, 707
- VM2J task 51, 699, 707
- VM2M task 51, 699, 707
- VM2P task 51, 699, 707
- VM2T 699, 707
- VMCONS 26, 107, 455, 719
 - clear down connection 502
 - connection via OMNIS 109
 - example 121
 - functions 107
 - implementation 107
 - job variable 108
 - operator ID 64
 - operator role 65
 - parameters 166
 - password 107, 109, 410
 - password in parameter file 109
 - preparing to use 64
 - VM2000 administration application 107

VMDUMP 708
 controlling trace functions 711
 separate program 708
 utility routine 26
VMGINF (macro) 238
VMGIORAL 307
VMHEL 418, 419
VMHEL commands 419

W

wait state of a VM 162
 cancel 162, 507, 570
 global 162
 selective 162
WAIT, state types 162
When 119

X

X2000 33, 37, 49
Xen hypervisor 26, 29, 33, 696
XenVM 721
XML document 401