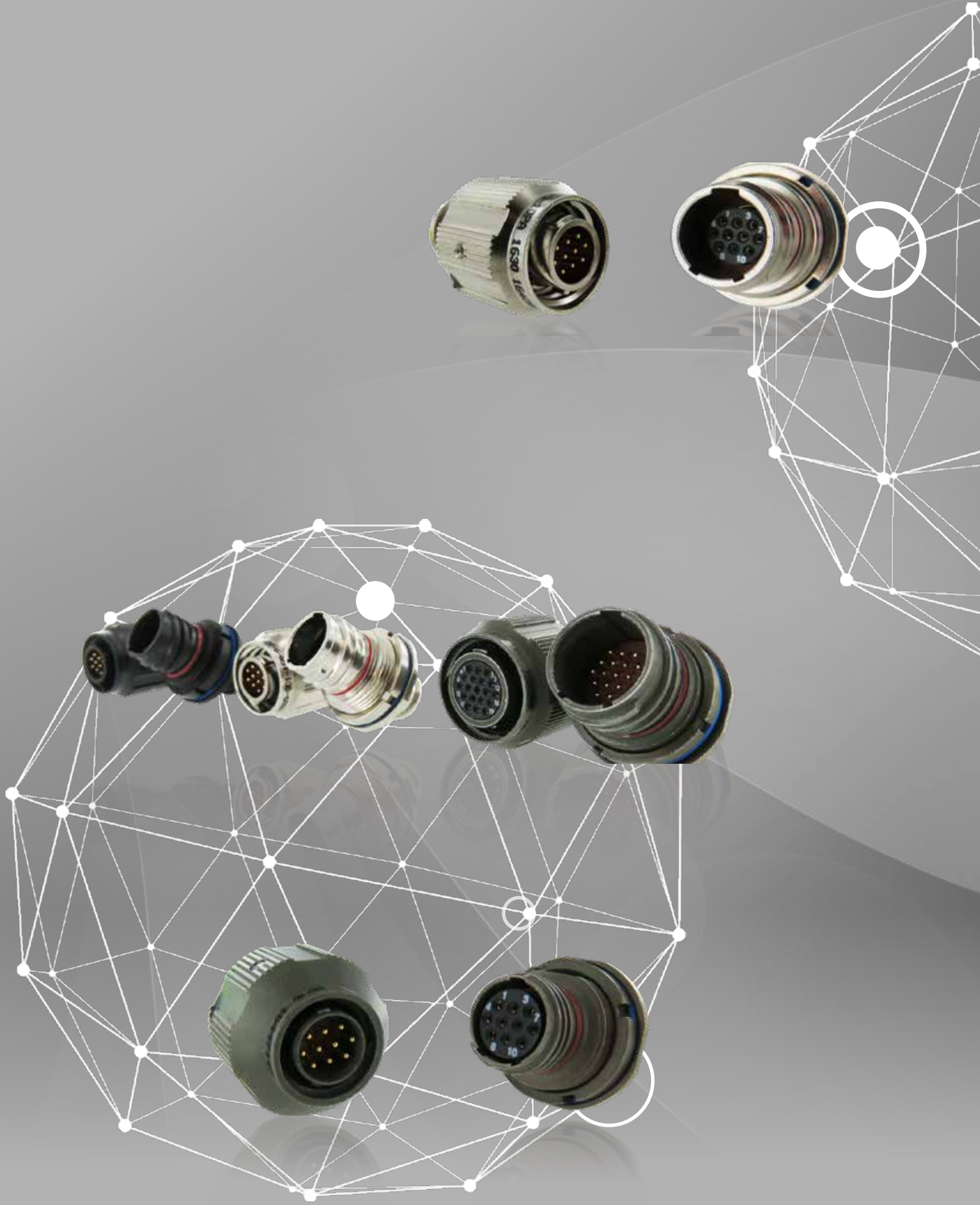


# Amphenol SOCAPEX

## 2M Micro Miniature

*A selection of Mil/Aero miniature connectors  
with premium service for Europe*





# TABLE OF CONTENT

<b>About Amphenol Socapex</b>	<b>4</b>
Complete 2M Series by Amphenol	8
2M top runners for Europe by Amphenol Socapex	9
Harnesses & overmolding capabilities	10
<b>General Information</b>	<b>12</b>
Markets and applications	12
General characteristics	13
Technical characteristics	14
Insert arrangements	16
Straight PCB Footprint	18
<b>2M805 Tri-Start</b>	<b>22</b>
General information	23
Overall dimensions	24
Panel drilling	27
Protective caps	28
Connector weight	29
<b>2M801 Dual-Start</b>	<b>30</b>
General information	31
Overall dimensions	32
Panel drilling	35
Protective caps	36
Connector weight	37
<b>Accessories</b>	<b>38</b>
Contact & tool	39
Assembly instruction	40
Shrink Boots	44
<b>How to order</b>	<b>46</b>
2M805 Tri-Start	46
2M805 Tri-Start Protective caps	47
2M801 Dual-Start	48
2M801 Dual-Start Protective caps	49

# ABOUT AMPHENOL SOCAPEX



## Proven excellence in interconnect solutions

Since **1947**, Amphenol Socapex has prescribed, designed and manufactured reliable and innovative interconnection solutions for **harsh environments**, specializing in standard and customized electrical and fiber optic connectors, contacts, accessories and cabling solutions. Located in the **Mont Blanc** region of France and Pune in India, Amphenol Socapex has a presence in over 100 countries around the world. Amphenol Socapex is part of the international **Amphenol Corporation**.



**1000+** employees



Net Sales 2020: **81,9 M€**  
72% Export - 28% France



Two facilities :  
**Thyez** (France), **Pune** (India)

OUR HISTORY

**1947**



- Socapex creation in Suresnes, France
- 1<sup>st</sup> radio connector

**1956-57**



- Manufacturing unit in Cluses (74), France
- Thomson-CSF becomes primary shareholder

**Early 1960's**



- 1st board level connectors: HE8
- 1st "licence Bendix" manufactured connectors
- SL Series launch

**1973**



- New factory 13 000 m<sup>2</sup> in Thyez (74) France with 250 people

**1975**



- Production of 38999 connectors

**2014-2017**



Quadrax Contacts



Cable Assembly

- New Cable Assembly workshop
- New Contact Manufacturing workshop

**Today and tomorrow | New technologies**



Miniaturization High-speed signals  
 Miniaturization ROHS solutions Power  
 Fiber optics Rugged Ethernet  
 Power Rugged Ethernet  
 Fiber optics ROHS solutions  
 Advanced Materials (composite)  
 Power Miniaturization ROHS solutions

# INTERNATIONAL EXPERTISE



## Our expertise has no boundaries

### Integrated Production in France & India

- **24 000 m<sup>2</sup>** manufacturing capacity on 2 sites
- Design centers in **France** and **India**
- State-of-the-art manufacturing technology



## Our markets



### Military

Communication Systems - Radios - C4ISR /  
Ground vehicles - Vetronics / Marine / Missiles



### Aviation

Commercial & military / Avionics /  
Engines / Landing gear / Actuators

**1986**

**Amphenol**  
Socapex

- Amphenol becomes primary shareholder

**1995-96**



- Expanded Beam connector CTOS launch
- Headquarters transferred to Thyvez

**2004**



- RJ Field launch, "Award Electronica"

**2005**



- Opening of manufacturing site in Pune, India

**2010's**



- LuxBeam™ and HDAS launch

## Today and tomorrow | Sustainable development



Respect for nature and the environment  
 Optimization of natural resources  
 Recycling  
 Waste Management  
 Goodwill  
 Optimization of natural resources  
 Optimization of natural resources  
 Waste Management  
 Respect for nature and the environment  
 Recycling  
 Goodwill

# PRODUCING FASTER, SMALLER, STRONGER CONNECTORS...



## Technologies & innovation

### Technological Center



**Engineering Laboratory for product testing and qualification, product expertise and metrology**

- Mechanical and electrical skills
- RF and fiber optics expertise

### High-Speed Expertise



**Strong expertise in high-speed signals**

- 3D EM simulation software & EM models
- Time Domain and frequency domain (VNA 20GHz, TDR and eye diagram)

### Materials Expertise



**Focus on materials expertise and manufacturing techniques to produce faster, smaller and stronger products**

- 3D CAD mechanical software, simulation & analysis
- Disruptive metal alloys, additive manufacturing

### Eco-responsibility



**Sustainable environment approach, with pro-active management of regulations (REACH / RoHS / Conflict minerals...)**

- New materials development, plating, and suitable processes
- Recycling and rational resources consumption

## Our workshops

Our workshops located in France & India provide consistent quality adapted to your volume requirements.

**Tooling :** Tools for our different activities : molding, machining, assembly

**Molding :** Solid expertise in thermoplastic elastomer and thermoset molding

**Machining :** Manufacturing of cylindrical shells from 10 to 90 mm in diameter and rectangular shells

**Screw Machining :** Cylindrical production parts up to 10 mm in diameter

**Plating :** Plating with cadmium, nickel, electroless nickel, silver, black zinc nickel, gold

**Assembly :** Connector and harness assembly (electrical & optical)

## Our certifications



Certified Management System



Certified Management System



Certified Management System



Certified Management System

Product certifications : MIL-DTL38999, EN3645, EN3155, VG

## Our memberships



Member of CMG (Connecting Manufacturing Group) Consortium

# DELIVERING GREAT CUSTOMER EXPERIENCE



► We have a strong reputation for helping customers solve their toughest challenges. This approach of serving your needs is ingrained in our company – from our sales team to our product development engineers.

## A partner you can trust

Customer Proximity	Design Expertise	Quality Commitment	On Time Delivery Performance	Compliance manager

## Buy our solutions

You can access our solutions through our global network of sales offices or through our distributors.

- Field Sales Team :**
- 12 in France
  - 15 in Europe
  - 100+ in North America and rest of the world.
  - 5 Business Development Managers supporting local sales force Europe, North America and the rest of the world

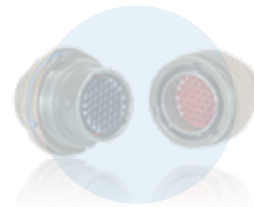
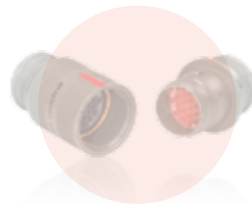
- Technical Support & Multilingual Customer Service :**
- 15 people

- Worldwide Distribution Network :**
- Including qualified distributors (QPL approved) for assembling : MIL-DTL-38999, PT/451/VG95328 & Fiber Optics connectors



# COMPLETE 2M SERIES BY AMPHENOL

## Selection table



SERIES	2M801	2M805	2M804	2M803
Type	Dual-Start ACME Thread	Tri-Start ACME Thread	Push-Pull	Bayonet
Description	More rugged keys and threads. Faster mating.	"Anti-Decoupling" ratchet mechanism and ground spring for military airframes and avionics boxes. Fast mating	Breakaway connector for headsets and tactical equipment. Gold-plated spring for long mating life and superior EMI shielding.	Quick-mating, light duty, general purpose. Not rated for immersion, 50 milliohms shell-to-shell resistance.
Contacts	1 to 130	1 to 130	1 to 85	1 to 55
Coupling	Threaded Coupling with 1 1/2 Turns to Full Mate	Tri-Start Thread	Push-Pull Quick-Disconnect	1/4 turn lock Bayonet
Water immersion, mated	MIL-STD-810 Method 512 1 Meter for 1 Hour IPX8	MIL-STD-810 Method 512 1 Meter for 1 Hour IPX8	MIL-STD-810 Method 512 1 Meter for 1 Hour IPX8	Splashproof IPX6
EMI Shielding	Very Good	Excellent	Excellent	Fair
Vibration and shock	43.9 g's Random Vibration, Sine Vibration 60 g; 300 g's Shock	43.9 g's Random Vibration, Sine Vibration 60 g; 300 g's Shock	37 g's Random Vibration; 300 g's Shock	37 g's Random Vibration; 300 g's Shock
Mating cycles	2000 Cycles (-16 Plugs) 500 Cycles (-26 Plugs)	500 Cycles	2000 Cycles	1000 Cycles Aluminum 2000 Cycles Stainless Steel
Electrical performance	#12: 23 AMP, 1800 VAC #16: 13 AMP, 1800 VAC #20: 7.5 AMP, 750 VAC #23: 5 AMP, 500 VAC	#12: 23 AMP, 1800 VAC #16: 13 AMP, 1800 VAC #20: 7.5 AMP, 750 VAC #23: 5 AMP, 500 VAC	#12: 23 AMP, 1800 VAC #16: 13 AMP, 1800 VAC #20: 7.5 AMP, 750 VAC #23: 5 AMP, 500 VAC	#12: 23 AMP, 1800 VAC #16: 13 AMP, 1800 VAC #20: 7.5 AMP, 750 VAC #23: 5 AMP, 500 VAC

Available at Amphenol Aerospace  
Please consult us for resales



# 2M TOP RUNNERS FOR EUROPE BY AMPHENOL SOCAPEX

## 2M Micro Miniature connectors Series for Europe

By Amphenol, the 2M connector series has been a flagship product since years, with huge attends from our customers, especially for new design projects and harnesses. First developed by our sister company Amphenol Aerospace Operation and popularized all around the world, Amphenol Socapex is now taking over the charge of this product range for the European market.

The 2M connector series is very well adapted for new design which require smaller and lighter connectors with less than half of size and weight than usual military connectors. Developed specially for the needs of the military and aviation markets, the 2M connector is ideally suited to applications such as armored vehicles, data acquisition equipment, aeroplanes, helicopters, avionic calculators, missiles and drones where electrical performance, miniaturization and weight reduction are essential.

Amphenol Socapex's main goal is the satisfaction of our clients providing the **same services than the standard MIL-DTL-38999 series** from Amphenol in terms of price and lead time. In this sense, we established the **selection of more than 1 000 "Top Runner"** for our customers in Europe, including **805 and 801 series** corresponding to the Tri-start and Dual-start series, with **19 different arrangements** and **3 platings**. These configurations are the most common on the market including plugs, jam nut and square flange receptacles, both with integrated backshell or soldering on PCB versions for receptacles. Obviously all corresponding accessories are also available : caps, shrink boots or tools.

New design project ?



Need of MINIATURIZATION and WEIGHT SAVING ?



Need of GOOD PRICE, PERFECT SERVICE and FAST DELIVERY ?

**2M Micro Miniature Connectors**  
A selection\* of references with high service

2M801 Dual-start | 2M805 Tri-start

**6 SHELL SIZES WITH 19 ARRANGEMENTS**

2M801	6-1	6-7	6-23	7-10	8-13
2M805	8-1	8-7	8-23	9-10	10-13
2M801	9-19	9-200	10-26	13-37	
2M805	11-19	11-200	12-26	15-37	

**3 PLATING**

- Olive Drab Cadmium
- Black Zinc Nickel
- Electroless Nickel

**3 CONTACTS SIZES**

- #23
- #20HD
- #16

**SHELLS CONFIGURATIONS**

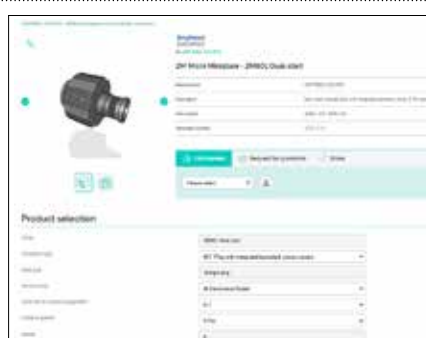
- Plugs with Integrated Backshells
- Jam Nut & Square Flange receptacles with Integrated Backshells
- Stand Off receptacles

\*OVER 600 PART NUMBERS

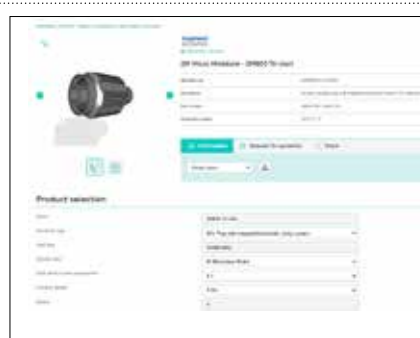
## Find your dream configuration with ours online configurators !

2M805 Configurator

2M801 Configurator



Scan & discover !



Scan & discover !



## AMPHENOL SOCAPEX HARNESSES CAPABILITIES



**Since 2014, Amphenol Socapex offer an electrical harness option around connectors, to provide our customers a turnkey solution !**

- 200 experienced team members dispatched in 8 dedicated cabling lines dedicated by product type, in a 700m<sup>2</sup> assembly shop in Pune, India.
- A cost advantage for all harnesses that include our legacy products, 2M, 38999, PT/451, RJF & USBF, High speed solutions (Quadrax, Octomax, Twinax, Coax, RF contacts), Accessories,...
- State of the art capabilities :

### Engineering

Flattening (form boards) of electrical harness,  
Wiring Diagram and hook-up to manufacturing files  
Data base & configuration management, pins allocation, routing files  
Programming for automatic electrical test  
Integration of mechanical parts  
Following your installation constraints on your Structure/Vehicle : Cutting plates, feedthrough, racks, brackets.

### Full production capabilities

Stripping & crimping hand tools for standard wires  
Sleeve Heat-shrinking  
Manufacturing jigboards  
Dedicated workstations for 1st extremities  
Laser stripping for smaller wires / nick free stripping.

### Field Cabling Specialists

Both in France and India, our team have capability to make your drawings, to take dimensions on your mock-up and perform modifications or reparations in situ



### Full testing capabilities in climate controlled area

Fully automated / programmable electrical testing machines.  
Network analyzer for Ethernet and high-speed cable assemblies  
VNA for co-axial / RF cable assemblies

### Improved logistics flows

Our self Management of the connectors and accessories supply chain to reduce and secure the harness lead times

### A real expertise

Whether in the harsh environments applications and market, on the components or harnesses, we rely on all Amphenol know-how to provide you with the best products, to fit all your needs.

## 2M SERIES OVERMOLDING CAPABILITIES

Amphenol Socapex offers overmolding solutions on 2M products.

The overmolding technology is particularly well adapted to micro miniature connectors such as 2M, and is suitable for many applications such as military, industrial, telecom, etc. This technology confers a very strong and sealed junction between the connector/backshell and the cable, and the appearance is very clean.

For your special needs for very harsh environment, we can help you by performing tests in our technical laboratory (pulling tests, bending moment, thermal shocks,...)

Amphenol Socapex is qualified by Wiring Harness Manufacturer's Association.



Example of overmolded Cordset made by Amphenol Socapex



Injection molding machines YUH-DAK YC-40 2S (40 Tonnage for both)

## 2M805 Series Integrated Backshell Overmolding

2M805 PLUG STRAIGHT



Already tooled up : sizes 08, 09, 10, 11, 12, & 15

2M805 PLUG RIGHT ANGLE



Already tooled up : sizes 09 & 12

⇒ New mold time development : 8 weeks, do not hesitate to consult us for your configuration

# GENERAL CHARACTERISTICS

## Markets and applications

Technical Characteristics

2M805

2M801

Accessories

How to order



### Military vehicles

- Vetronics
- Video
- Battlefield
- Communication systems
- Threat detection systems



### Commercial Avionics & Airframe

- IFE in Flight Entertainment
- Cockpit
- None compressed high resolution video



### Military Avionics & Airframe

- Radars
- Display unit
- Flight control system
- Video



### C4ISR

- Threat detection system
- Soldier wearable equipment
- Rugged computer & digital radio
- Satellite reception unit



### Missiles & UAVS

- Air missiles and UAVS
- Ground control station & launchers
- Radars
- Video



### Navy

- Threat detection systems
- Radars
- Network infrastructure



### Industrial

- Rail mass transit
- Wifi connexion



# GENERAL CHARACTERISTICS

## Description



- Inspired by MIL-DTL Series III
- 2M801 & 2M805 available
- 2M805 (Tri-start thread) EN & QPL standards in progress
- Dedicated to harsh environment applications
- Perfectly suitable for new design project
- Integrated backshell
- 19 arrangements
- 6 sizes
- 3 platings: Olive drab cadmium, Nickel and Black zinc nickel

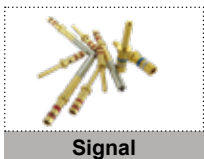
## Material and platings

Component	Material
Aluminum shell, barrel and coupling nut	Aluminum alloy 6061 T6
Shell finish	<ul style="list-style-type: none"> <li>- Electroless Nickel ✓</li> <li>- Olive Drab Cadmium</li> <li>- Black Zinc Nickel ✓</li> </ul>
Front and rear inserts	Polyphenylene sulfide (PPS)
Contact retention clip	Beryllium copper, heat-treated
Grommet, peripheral seal and interfacial seal	Fluorosilicone rubber
Contacts	Gold plated copper alloy
Socket contact hood	Passivated stainless steel
Adhesives	Various epoxies & RTV's
Potting compound, PCB versions	High strength epoxy

✓ : RoHS compliant

## Contacts

- Standard contacts plated with a minimum of 1.27µm gold
- Size 16, 20HD and 23



Signal

All dimensions are given for information only and are in mm

# TECHNICAL CHARACTERISTICS

## Materials characteristics

Shell Material	Shell finish	Salt Spray exposure per EIA 364-26	Operating temperature (C°)	
			Min	Max
Aluminum	Electroless Nickel ✓	48	-65	+150
	Olive Drab Cadmium	500		
	Black Zinc Nickel ✓			

✓ : RoHS compliant

## Mechanical characteristics

Characteristics	Performance	Procedure
Durability	500 mating cycles	EIA-364-09
Shock	300 G ± 15	EIA-364-27 Condition D 300 G, halfsine, 3ms, 3 axes
Random vibrations	43,9 g RMS	EIA-364-28 Test Condition V Letter I 100 milliamp test current 50- 2,000 Hz @ temp.
Sine vibrations	60 g RMS	MIL-STD-202 Method 204, test Condition G 12 sweep cycles per axes, 20 min. per 10-2000-10Hz @ temp.

## Environmental characteristics

Characteristics	Requirement	Procedure
Humidity	No deterioration which will adversely affect the connector. 100 Mohms minimum insulation resistance during the final cycle. Following the recovery period, connectors shall meet contact resistance, shell-to-shell resistance and DWV requirements.	EIA-364-31 Condition B Method III 80-98% RH 10 cycles (10 days) +25° C to +65° C Step 7b vibration deleted. 24 hour recovery period.
Altitude immersion	No evidence of moisture on connector interface or contacts. Connector shall meet dielectric withstanding voltage.	EIA-364-03
Fluid Immersion	No visible damage from immersion in various fuels and oils. Connector shall meet coupling torque and dielectric withstanding voltage requirements.	EIA-364-10 Unmated connectors
Water immersion, mated	No evidence of water penetration into mated connectors. ≥100Ω insulation resistance.	MIL-STD-810F Method 512.4 1 meter immersion 1 hour
Thermal shock	No mechanical damage or loosening of parts. Following thermal shock, connector shall meet contact resistance, DWV, insulation resistance and shell-to-shell resistance requirements.	EIA-364-32 Test Condition IV 5 cycles consisting of -65° C 30 minutes, +25° C 5 minutes max., +150° C 30 minutes, +25° C 5 minutes max.
Sand and dust	Mated connectors shall withstand the effects of blowing sand and dust	MIL-STD-810F, Method 510.4

All dimensions are given for information only and are in mm

# TECHNICAL CHARACTERISTICS

## Electrical characteristics

Procedure	Characteristic	2M801 Series	2M805 Series	
Shell-to-shell conductivity per EIA-364-83 Electroless Nickel Plated Connectors	Initial	2,5 mV	2 mV	
	After 48 hours salt spray	2,5 mV	2 mV	
Shielding effectiveness per EIA-364-21 Electroless Nickel Plated Connectors	Low frequency	100 MHz	75 dB Min	90 dB Min
		200 MHz	70 dB Min	88 dB Min
		300 MHz	65 dB Min	88 dB Min
		400 MHz	63 dB Min	87 dB Min
		800 MHz	58 dB Min	85 dB Min
	High frequency	1 GHz	55 dB Min	85 dB Min
		3 GHz	50 dB Min	69 dB Min
		5 GHz	45 dB Min	66 dB Min
		19 GHz	40 dB Min	65 dB Min

## Service rating

Contact size	Dielectric withstanding voltage (Vrms)		
	At sea level		40 000 feet 12 000 meters
	Mated	Unmated	Mated
#23	500	500	100
#20HD	750	750	150
#16	1 800	1 800	1 000

## Contacts characteristics

Characteristic	#23	#20HD	#16
Crimp Contacts Maximum Current Rating (Amps)	5	7,5	13
Contact resistance (Test Current)	73mV drop at 5A	55 mV drop at 7,5A	49 mV drop at 13A
Insulation resistance	5 000 MΩ min		
Contact retention per EIA-364-29 (N)	45	45	111
Separation forces per SAE AS39029 (N)	0.14	0.19	0.56
AWG	#22 - #28	#20 - #24	#16 - #20

All dimensions are given for information only and are in mm

# SELECTION OF INSERT ARRANGEMENTS

Front face of male insert (Only the major keyway is illustrated)

Contact Size	16	20HD	23
Caption			

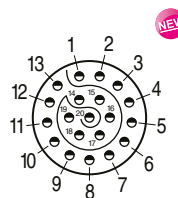
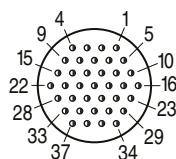
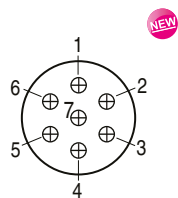
<b>2M801</b>	<b>6-1</b>	<b>6-4</b>	<b>6-6</b>	<b>6-7</b>
<b>2M805</b>	<b>8-1</b>	<b>8-4</b>	<b>8-6</b>	<b>8-7</b>
Nbr of contacts	1	4	6	7
Contacts sizes	#16	#23	23	#23
DWV Voltage (VAC)	1800	500	500	500
Current Rating (Amps)	13	5	5	5
<b>2M801</b>	<b>6-23</b>	<b>7-10</b>	<b>7-25</b>	<b>8-2</b>
<b>2M805</b>	<b>8-23</b>	<b>9-10</b>	<b>9-25</b>	<b>10-2</b>
Nbr of contacts	3	10	5	2
Contacts sizes	#20HD	#23	#20HD	#16
DWV Voltage (VAC)	750	500	750	1800
Current Rating (Amps)	7.5	5	7.5	13
<b>2M801</b>	<b>8-13</b>	<b>8-28</b>	<b>9-4</b>	<b>9-19</b>
<b>2M805</b>	<b>10-13</b>	<b>10-28</b>	<b>11-4</b>	<b>11-19</b>
Nbr of contacts	13	8	4	19
Contacts sizes	#23	#20HD	#16	#23
DWV Voltage (VAC)	500	750	1800	500
Current Rating (Amps)	5	7.5	13	5
<b>2M801</b>	<b>9-200</b>	<b>9-210</b>	<b>10-5</b>	<b>10-26</b>
<b>2M805</b>	<b>11-200</b>	<b>11-210</b>	<b>12-5</b>	<b>12-26</b>
Nbr of contacts	2	4	5	26
Contacts sizes	#16	#23	#16	#23
DWV Voltage (VAC)	1800	500	1800	500
Current Rating (Amps)	5	13	13	5

All dimensions are given for information only and are in mm

Technical Characteristics  
2M805  
2M801  
Accessories  
How to order



# SELECTION OF INSERT ARRANGEMENTS



2M801	13-7	13-37	13-220
2M805	15-7	15-37	15-220
Nbr of contacts	7	37	20
Contacts sizes	#16	#23	#20HD
DWV Voltage (VAC)	1800	500	750
Current Rating (Amps)	13	5	7.5


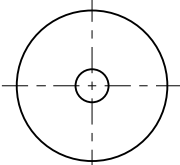
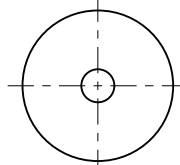
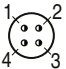
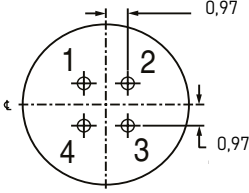
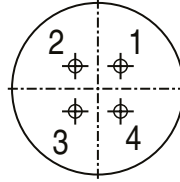
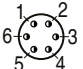
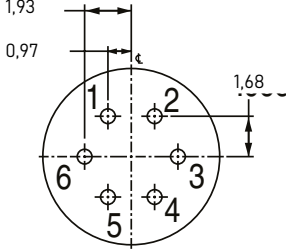
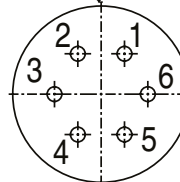
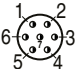
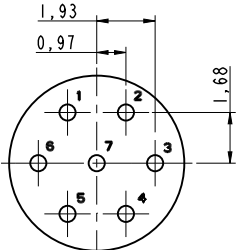
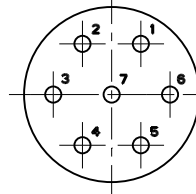

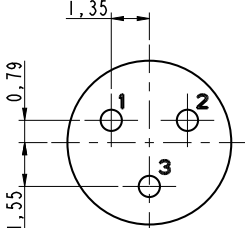
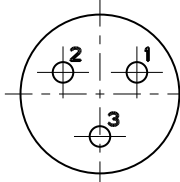
## Insert arrangements table

Inserts Arrangements		Contact Quantity			Current Rating (A)	Dielectric withstanding voltage (VAC)	Wire size AWG
2M801	2M805	#23	#20HD	#16			
6-1	8-1			1	13	1800	#16 - #20
6-4	8-4	4			5	500	#22 - #28
6-6	8-6	6			5	500	#22 - #28
6-7	8-7	7			5	500	#22 - #28
6-23	8-23		3		7,5	750	#20 - #24
7-10	9-10	10			5	500	#22 - #28
7-25	9-25		5		7,5	750	#20 - #24
8-2	10-2			2	13	1800	#16 - #20
8-13	10-13	13			5	500	#22 - #28
8-28	10-28		8		7,5	750	#20 - #24
9-4	11-4			4	13	1800	#16 - #20
9-19	11-19	19			5	500	#22 - #28
9-200	11-200	4		2	5 - 13	-	-
9-210	11-210		10		7,5	750	#20 - #24
10-5	12-5			5	13	1800	#16 - #20
10-26	12-26	26			5	500	#22 - #28
13-7	15-7			7	13	1800	#16 - #20
13-37	15-37	37			5	500	#22 - #28
13-220	15-220		20		7,5	750	#20 - #24

All dimensions are given for information only and are in mm

# STRAIGHT PCB FOOTPRINT

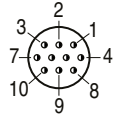
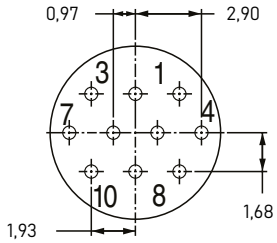
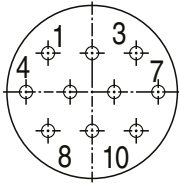
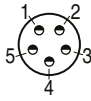
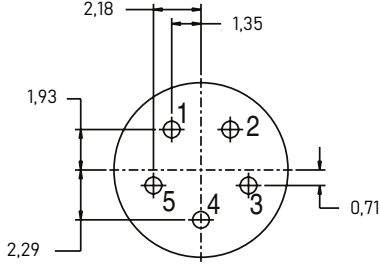
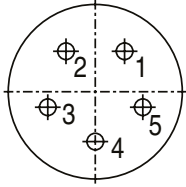
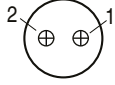
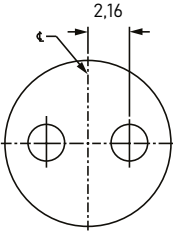
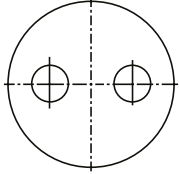
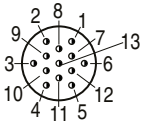
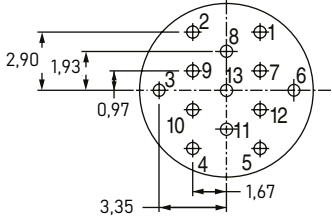
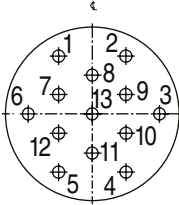
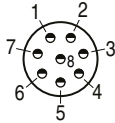
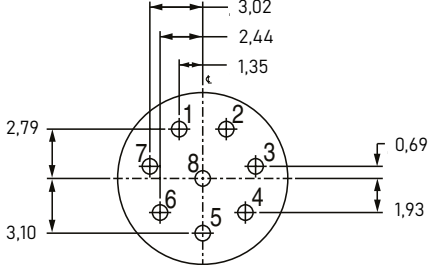
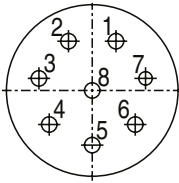
Socket inserts are a mirror image of pin side. Socket side shown for cavity locations only, reference pin side for dimensions.

INSERT ARRANGEMENT	FRONT FACE OF PIN CONNECTOR	FRONT FACE OF SOCKET CONNECTOR
 <p>6-1, 8-1 (1) #16 Contacts</p>	 <p>Pin</p>	
 <p>6-4, 8-4 (4) #23 Contacts 0,56 Max. Dia. Tail</p>		
 <p>6-6, 8-6 (6) #23 Contacts 0,56 Max. Dia. Tail</p>		
 <p>6-7, 8-7 (7) #23 Contacts 0,56 Max. Dia. Tail</p>		
 <p>6-23, 8-23 (3) #20HD Contacts 0,58 Max. Dia. Tail</p>		

All dimensions are given for information only and are in mm

# STRAIGHT PCB FOOTPRINT

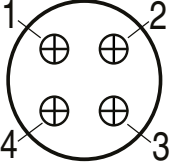
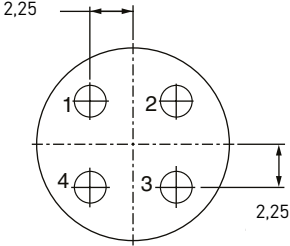
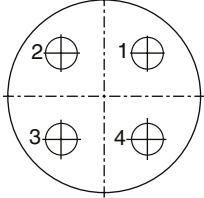
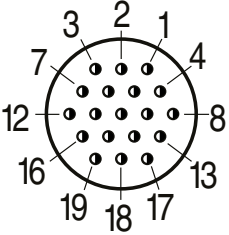
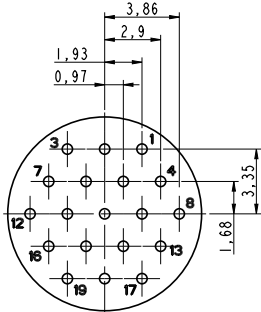
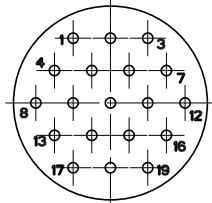
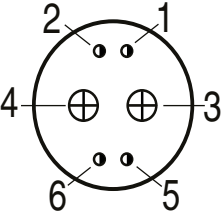
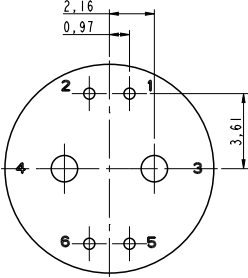
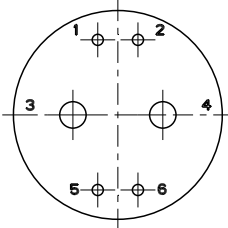
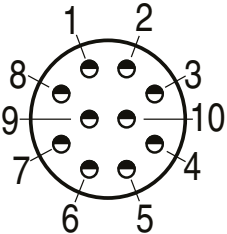
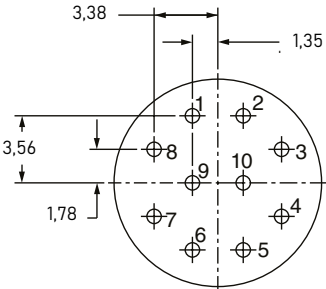
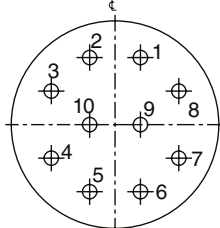
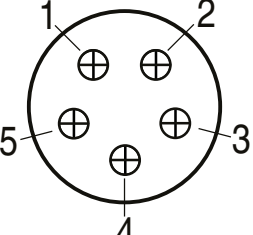
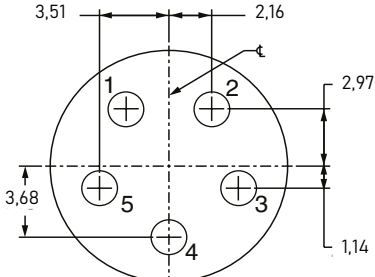
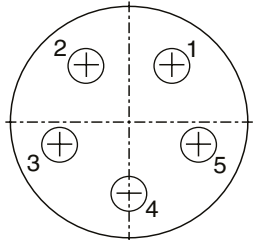
Socket inserts are a mirror image of pin side. Socket side shown for cavity locations only, reference pin side for dimensions.

INSERT ARRANGEMENT	FRONT FACE OF PIN CONNECTOR	FRONT FACE OF SOCKET CONNECTOR
 <p>7-10, 9-10 (10) #23 Contacts 0,56 Max. Dia. Tail</p>		
 <p>7-25, 9-25 (5) #20HD Contacts 0,58 Max. Dia. Tail</p>		
 <p>8-2, 10-2 (2) #16 Contacts</p>		
 <p>8-13, 10-13 (13) #23 Contacts 0,56 Max. Dia. Tail</p>		
 <p>8-28, 10-28 (8) #20HD Contacts 0,58 Max. Dia. Tail</p>		

All dimensions are given for information only and are in mm

# STRAIGHT PCB FOOTPRINT

Socket inserts are a mirror image of pin side. Socket side shown for cavity locations only, reference pin side for dimensions.

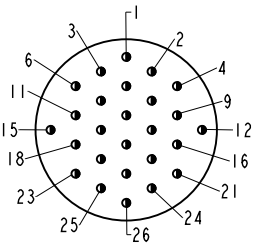
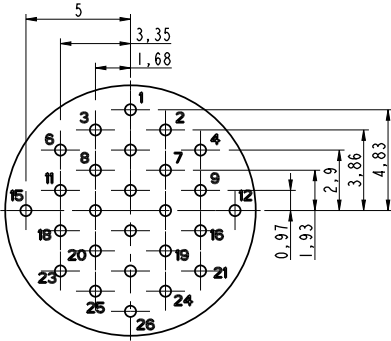
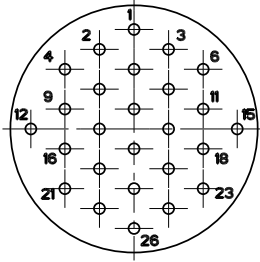
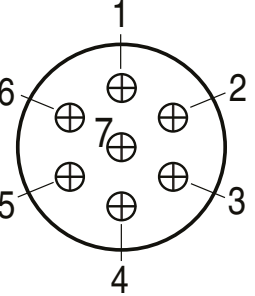
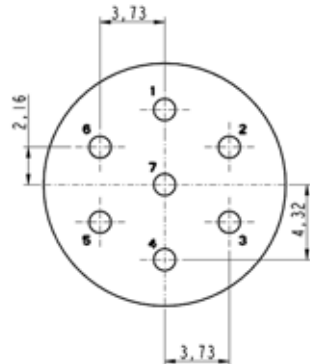
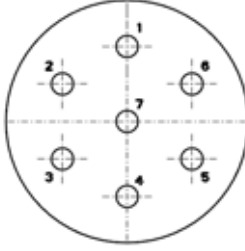
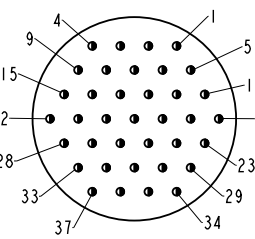
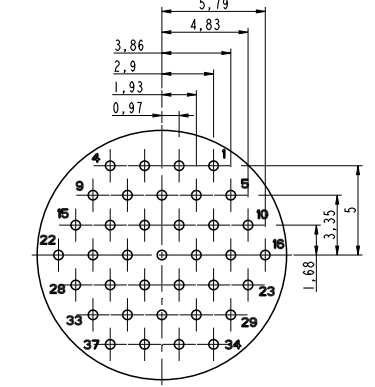
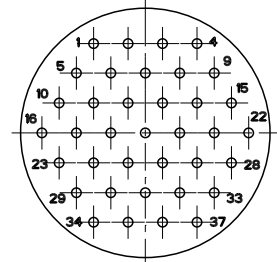
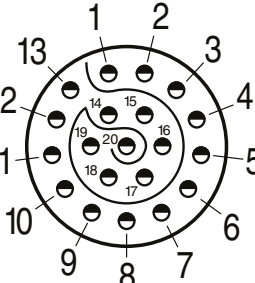
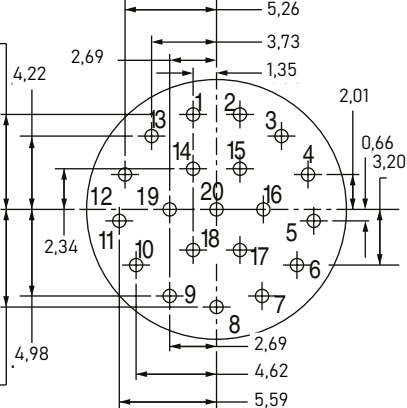
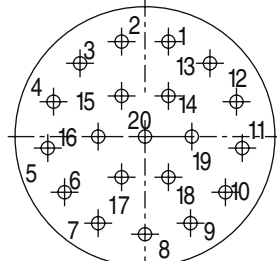
INSERT ARRANGEMENT	FRONT FACE OF PIN CONNECTOR	FRONT FACE OF SOCKET CONNECTOR
 <p>9-4, 11-4 (4) #16 Contacts</p>		
 <p>9-19, 11-19 (19) #23 Contacts 0,56 Max. Dia. Tail</p>		
 <p>9-200, 11-200 (4) #23 Contacts (2) #16 Contacts</p>		
 <p>9-210, 11-210 (10) #20HD Contacts 0,58 Max. Dia. Tail</p>		
 <p>10-5, 12-5 (5) #16 Contacts</p>		

All dimensions are given for information only and are in mm

Technical Characteristics  
2M805  
2M801  
Accessories  
How to order

# STRAIGHT PCB FOOTPRINT

Socket inserts are a mirror image of pin side. Socket side shown for cavity locations only, reference pin side for dimensions.

INSERT ARRANGEMENT	FRONT FACE OF PIN CONNECTOR	FRONT FACE OF SOCKET CONNECTOR
 <p>10-26, 12-26 (26) #23 Contacts 0,56 Max. Dia. Tail</p>		
 <p>13-7, 15-7 (7) #16 Contacts</p>		
 <p>13-37, 15-37 (37) #23 Contacts 0,56 Max. Dia. Tail</p>		
 <p>13-220, 15-220 (20) #20HD Contacts 0,58 Max. Dia. Tail</p>		

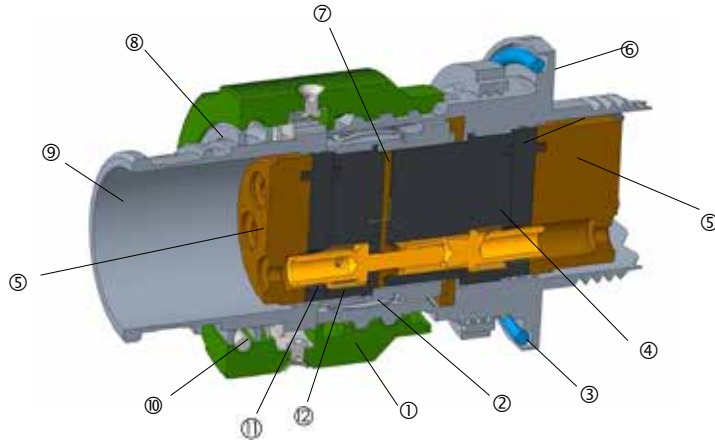
All dimensions are given for information only and are in mm



# GENERAL INFORMATION

## Description

- Tri-start fast coupling
- Excellent EMI shielding
- Superior vibration resistance
- Waterproof
- Nickel plated ground spring



- ① Coupling nut
- ② Grounding ring
- ③ O'Ring
- ④ Socket insert
- ⑤ Grommet
- ⑥ Receptacle shell
- ⑦ Interfacial seal
- ⑧ Plug shell
- ⑨ Integrated Backshell
- ⑩ Torlon rod
- ⑪ Pin Insert
- ⑫ Contact retention clip

### MATERIALS AND FINISHES

Shells	Aluminum Alloy
Shell finish	- Electroless Nickel ✓ - Olive Drab Cadmium - Black Zinc Nickel ✓
Contacts	Copper Alloy, gold plated
Insulators	Polyphenylene sulfide (PPS)
Contact retention	Beryllium Copper Alloy
Grommet, Interfacial Seal, O-Ring	Fluorosilicone rubber

✓ : RoHS compliant

### 2M805 VS MIL-DTL-38999

Specification	2M805	D38999
Signal Count	1 to 130	1 to 187
Insulation Resistance (MΩ)	5 000	5 000
Operating Temperature	-65°C to +150°C	-65°C to +175°C / 200°C
Shock	300 G ± 15	300 G ± 15
Vibration	«43.9 G Random 60.0 G Sine»	«43.9 G Random 60.0 G Sine»
Shielding Effectiveness	«85 dB min. from 100 MHz to 1000 MHz»	«65 dB min. from 100 MHz to 1000 MHz»
Durability	500 mating cycles min	500 mating cycles min
Shell to Shell Conductivity	2.5 mV drop max	2.5 mV drop max
Contacts	Per AS39029	Per AS39029

All dimensions are given for information only and are in mm, except as otherwise specified | \*in mm: 1mm=0.03937 inch

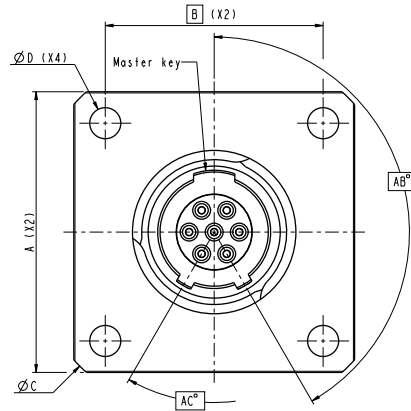
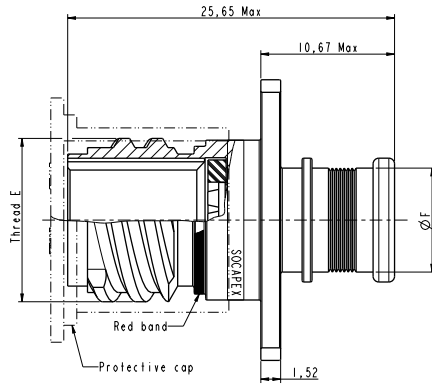
# SELECTION OF 2M805 TRI-START



## Overall dimensions

### Square Flange Receptacle with integrated backshell:

2M805-003-02

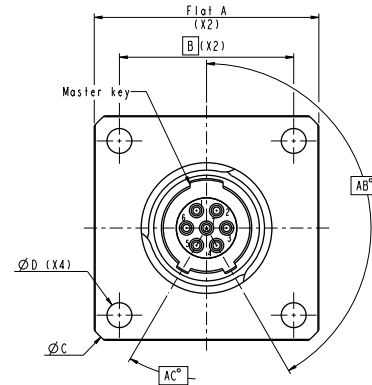
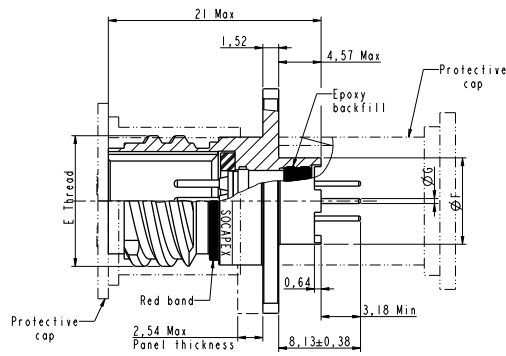


\* Grommet protrudes for power/combo arrangement

Shell Size	A (mm)	B (mm)	Ø C (mm)	Ø D ± 0.08 (mm)	E Thread	Ø F (mm)
8	21,67	16,76	29,29	2,31	0.5000-.1P-.3L-TS-2A	8,05
9	23,27	18,36	31,32	2,31	0.5625-.1P-.3L-TS-2A	10,08
10	24,84	19,94	33,86	2,31	0.6250-.1P-.3L-TS-2A	12,01
11	26,47	21,54	35,89	2,31	0.6875-.1P-.3L-TS-2A	13,18
12	27,99	23,09	38,18	2,31	0.7500-.1P-.3L-TS-2A	14,86
15	32,79	26,87	44,53	3,18	0.9375-.1P-.3L-TS-2A	17,45

### Square Flange Receptacle PCB:

2M805-005-02



Shell Size	A Flat (mm)	B (mm)	Ø C (mm)	Ø D (mm)	E Thread	Ø F (mm)	Ø G (mm)
8	21,67	16,76	29,29	2,31	0.5000-.1P-.3L-TS-2A	8,38	
9	23,27	18,36	31,32	2,31	0.5625-.1P-.3L-TS-2A	10,97	#23 0,46/0,56
10	24,84	19,94	33,86	2,31	0.6250-.1P-.3L-TS-2A	12,52	#20HD 0,64/0,69
12	27,99	23,09	38,18	2,31	0.7500-.1P-.3L-TS-2A	15,78	
15	32,79	26,87	44,53	3,18	0.9375-.1P-.3L-TS-2A	17,86	#16 1,52/1,63

Others shell styles available from Amphenol Aerospace (USA), please consult us for more information.

All dimensions are given for information only and are in mm, except as otherwise specified | \*in mm: 1mm=0.03937 inch



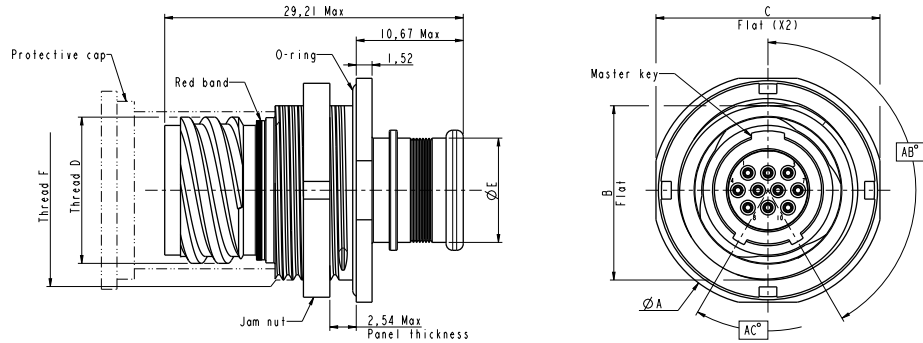
# SELECTION OF 2M805 TRI-START



## Overall dimensions

### Jam Nut Receptacle with integrated backshell:

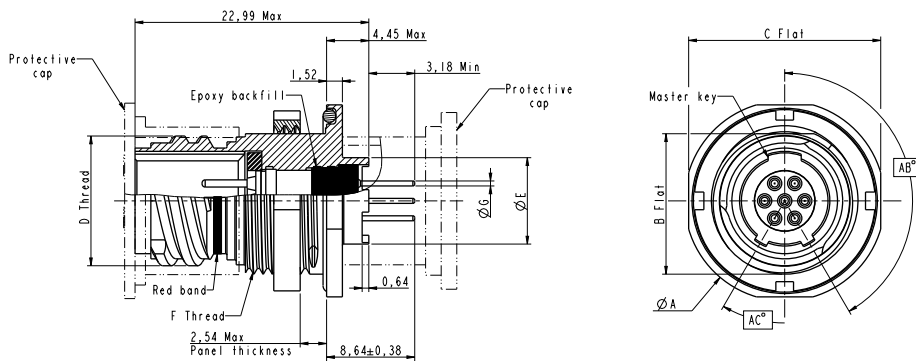
2M805-003-07



Shell Size	Ø A (mm)	B Flat (mm)	C Flat (mm)	D Thread	Ø E (mm)	F Thread
8	19,30	13,59	18,54	0.5000-.1P-.3L-TS-2A	8,05	0.5625-28 UN-2A
9	22,35	16,79	21,59	0.5625-.1P-.3L-TS-2A	10,08	0.6875-28 UN-2A
10	22,35	16,79	21,59	0.6250-.1P-.3L-TS-2A	12,01	0.6875-28 UN-2A
11	24,26	18,31	23,50	0.6875-.1P-.3L-TS-2A	13,18	0.7500-28 UN-2A
12	27,05	19,91	26,39	0.7500-.1P-.3L-TS-2A	14,86	0.8125-28 UN-2A
15	30,56	24,64	29,79	0.9375-.1P-.3L-TS-2A	17,45	1.0000-28 UN-2A

### Jam Nut Receptacle PCB:

2M805-005-07



Shell Size	Ø A (mm)	B Flat (mm)	C Flat (mm)	D Thread	Ø E (mm)	F Thread	Ø G (mm)
8	19,30	13,59	18,54	0.5000-.1P-.3L-TS-2A	8,38	0.5625-28 UN-2A	#23 0,46/0,56
9	22,35	16,79	21,59	0.5625-.1P-.3L-TS-2A	10,97	0.6875-28 UN-2A	#20HD 0,64/0,69
10	22,35	16,79	21,59	0.6250-.1P-.3L-TS-2A	12,52	0.6875-28 UN-2A	
11	24,26	18,31	23,50	0.6875-.1P-.3L-TS-2A	14,00	0.7500-28 UN-2A	
12	26,92	19,91	26,29	0.7500-.1P-.3L-TS-2A	15,78	0.8125-28 UN-2A	#16
15	30,56	24,64	29,79	0.9375-.1P-.3L-TS-2A	17,86	1.0000-28 UN-2A	1,52/1,63

Others shell styles available from Amphenol Aerospace (USA), please consult us for more information.

All dimensions are given for information only and are in mm, except as otherwise specified | \*in mm: 1mm=0.03937 inch

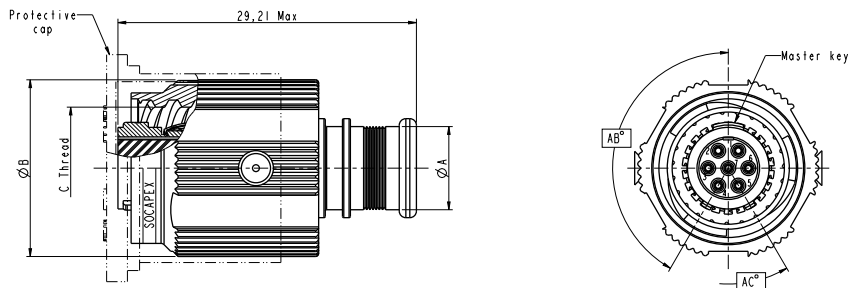
## SELECTION OF 2M805 TRI-START



## Overall dimensions

## Straight plug with integrated backshell:

2M805-001-16



Shell Size	Ø A (mm)	Ø B (mm)	C Thread
8	8,05	17,55	0.5000-1P-.3L-TS-2B
9	10,08	19,99	0.5625-1P-.3L-TS-2B
10	12,01	20,98	0.6250-1P-.3L-TS-2B
11	13,18	23,50	0.6875-1P-.3L-TS-2B
12	14,86	24,94	0.7500-1P-.3L-TS-2B
15	17,45	28,07	0.9375-1P-.3L-TS-2B

Others shell styles available from Amphenol Aerospace (USA), please consult us for more information.

All dimensions are given for information only and are in mm, except as otherwise specified | \*in mm: 1mm=0.03937 inch

# SELECTION OF 2M805 TRI-START

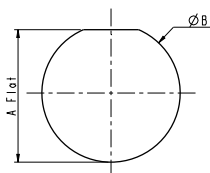
## Panel drilling

### Jam Nut Receptacle Crimp version:

2M805-003-07

### Jam Nut Receptacle PCB:

2M805-005-07

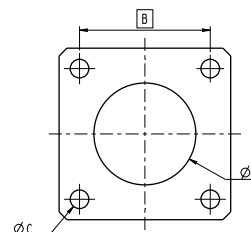


### Square Flange Receptacle Crimp version:

2M805-003-02

### Square Flange Receptacle PCB:

2M805-005-02



Shell Size	Panel Cutout	
	Ø A ± 0,05 (mm)	Ø B ± 0,13 (mm)
8	13,79	14,53
9	16,99	17,73
10	16,99	17,73
11	18,51	19,30
12	20,17	20,88
15	24,84	25,65

Shell Size	Panel Cutout		
	Ø A (mm)	B (mm)	Ø C ± 0,08 (mm)
8	13,07	16,76	2,31
9	14,66	18,36	2,31
10	16,25	19,94	2,31
11	17,83	21,54	2,31
12	19,42	23,09	2,31
15	24,18	26,87	3,18

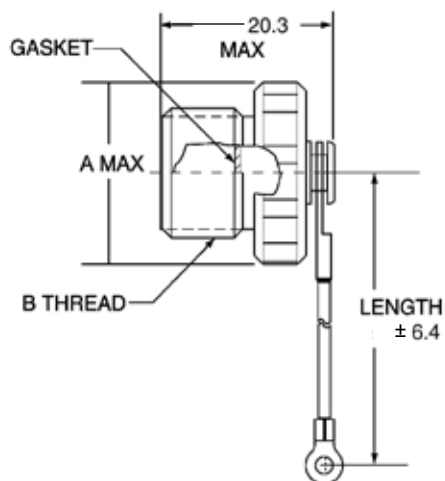
All dimensions are given for information only and are in mm, except as otherwise specified | \*in mm: 1mm=0.03937 inch

## SELECTION OF 2M805 TRI-START

## Overall dimensions - Protective caps

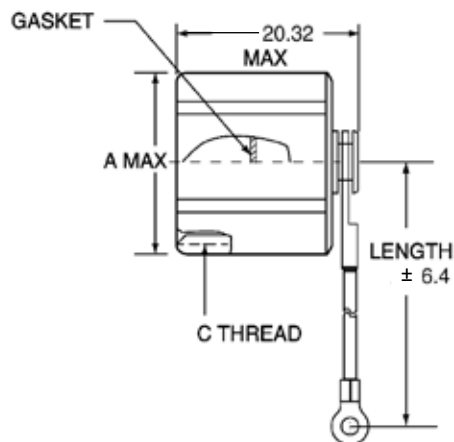
## Protective caps for plug:

2M667-261



## Protective caps for receptacle:

2M667-262



Shell Size	A Max. (mm)	B Thread	C Thread
8	16,66	.5000-.1P-.3L-TS-2A	.5000-.1P-.3L-TS-2B
9	18,24	.5625-.1P-.3L-TS-2A	.5625-.1P-.3L-TS-2B
10	19,84	.6250-.1P-.3L-TS-2A	.6250-.1P-.3L-TS-2B
11	21,44	.6875-.1P-.3L-TS-2A	.6875-.1P-.3L-TS-2B
12	23,01	.7500-.1P-.3L-TS-2A	.7500-.1P-.3L-TS-2B
15	27,79	.9375-.1P-.3L-TS-2A	.9375-.1P-.3L-TS-2B

## MATERIALS AND FINISHES

Cover	Aluminum Alloy or Stainless Steel
Shell finish	- Electroless Nickel ✓ - Olive Drab Cadmium - Black Zinc Nickel ✓
Wire, hardware	Stainless steel, passivated
Gasket	Fluorosilicone rubber

✓ : RoHS compliant

All dimensions are given for information only and are in mm, except as otherwise specified | \*in mm: 1mm=0.03937 inch

## CONNECTOR WEIGHT

Insert Arrangement	Plug (g)	Jam nut Recept. Crimp (g)	Jam nut Recept. PCB (g)	Square Flange Recept. Crimp (g)	Square Flange Recept. PCB (g)
8-1P	7,5	5,8	5,7	5,8	4,6
8-1S	7,9	6,3	6,2	6,3	5,1
8-4P	8,3	6,6	6,5	6,6	5,4
8-4S	8,8	7,2	7	7,2	5,9
8-6P	-	-	-	-	-
8-6S	-	-	-	-	-
8-7P	7,3	5,6	5,5	5,6	4,4
8-7S	7,7	6,1	5,9	6,1	4,8
8-23P	-	-	-	-	-
8-23S	-	-	-	-	-
9-10P	10,7	8,8	8,8	6,6	7,5
9-10S	11,6	9,7	9,7	7,5	8,4
9-25P	-	-	-	-	-
9-25S	-	-	-	-	-
10-2P	13,3	10,2	10,3	8,9	9,4
10-2S	14,1	11	11,1	9,7	10,1
10-13P	12,7	9,6	9,7	8,3	8,7
10-13S	13,4	10,3	10,5	9	9,5
10-28P	-	-	-	-	-
10-28S	-	-	-	-	-
11-4P	15,4	12,1	13,1	10,3	11,3
11-4S	16,4	13,1	14,1	11,3	12,3
11-19P	14,3	11	12	9,2	10,2
11-19S	15,4	12,1	13,1	10,3	11,3
11-200P	14,9	11,6	12,5	9,8	10,8
11-200S	16	12,7	13,6	10,9	11,9
11-210P	-	-	-	-	-
11-210S	-	-	-	-	-
12-5P	17,6	13,9	16,3	12,2	13,1
12-5S	19	15,3	17,7	13,6	14,5
12-26P	15,8	12,1	14,5	10,5	11,3
12-26S	17,4	13,6	16,1	12	12,9
15-7P	21,9	21,5	23	18,3	20,7
15-7S	24,5	24,1	25,6	20,9	23,3
15-37P	20,1	19,7	21,2	16,5	18,9
15-37S	23	22,6	24,1	19,4	21,8
15-220P	-	-	-	-	-
15-220S	-	-	-	-	-

All dimensions are given for information only and are in mm, except as otherwise specified | \*in mm: 1mm=0.03937 inch



# GENERAL INFORMATION

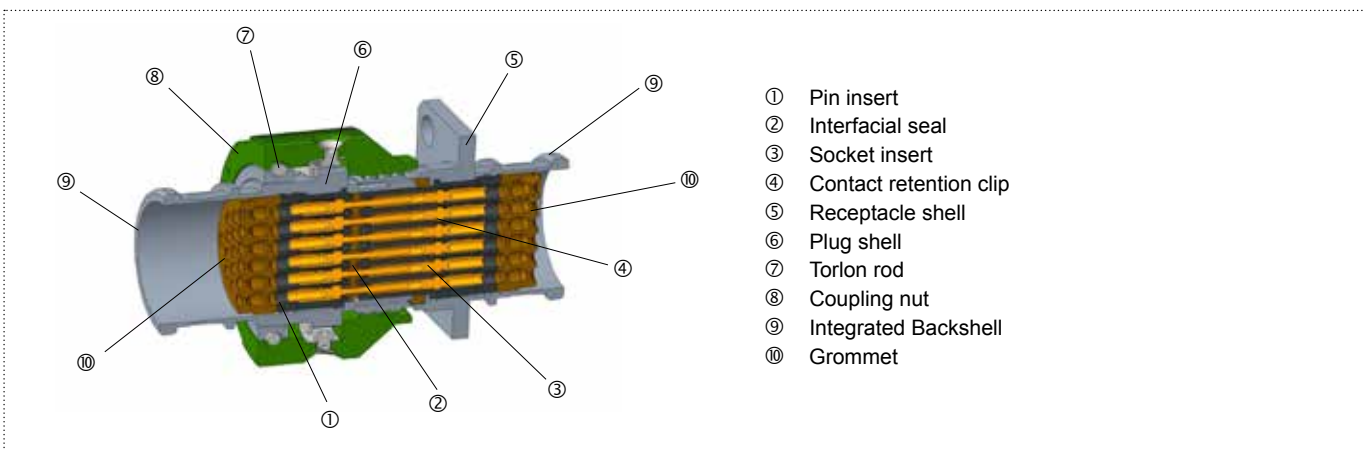
## Description

- Heavy Dual-Start ACME Thread
- Most durable of the 2M series
- Up to 2,000 mating cycles
- Ratcheting Anti-Decoupling Plug



MATERIALS AND FINISHES	
Shells	Aluminum Alloy
Shell finish	- Electroless Nickel ✓ - Olive Drab Cadmium - Black Zinc Nickel ✓
Contacts	Copper Alloy, gold plated
Insulators	Polyphenylene sulfide (PPS)
Contact retention	Beryllium Copper Alloy
Grommet, Interfacial Seal, O-Ring	Fluorosilicone rubber

✓ : RoHS compliant



2M801 VS MIL-DTL-38999		
Specification	2M801	MIL-DTL-38999
Signal Count	1 to 130	1 to 187
Insulation Resistance (MΩ)	5 000	5 000
Operating Temperature	-65°C to +150°C	-65°C to +175°C / 200°C
Shock	300 G ± 15	300 G ± 15
Vibration	« 43.9 G Random 60.0 G Sine »	« 43.9 G Random 60.0 G Sine »
Shielding Effectiveness	« 55 dB min. from 100 MHz to 1000 MHz »	« 50 dB min. from 100 MHz to 1000 MHz »
Durability	500 mating cycles min	500 mating cycles min
Shell to Shell Conductivity	2.5 mV drop max	2.5 mV drop max
Contacts	Per AS39029	Per AS39029

All dimensions are given for information only and are in mm, except as otherwise specified | \*in mm: 1mm=0.03937 inch

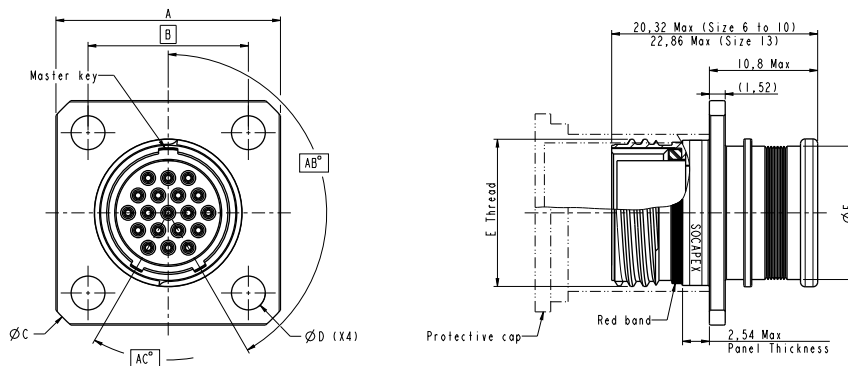
# SELECTION OF 2M801 DUAL-START



## Overall dimensions

### Square flange receptacle with integrated backshell:

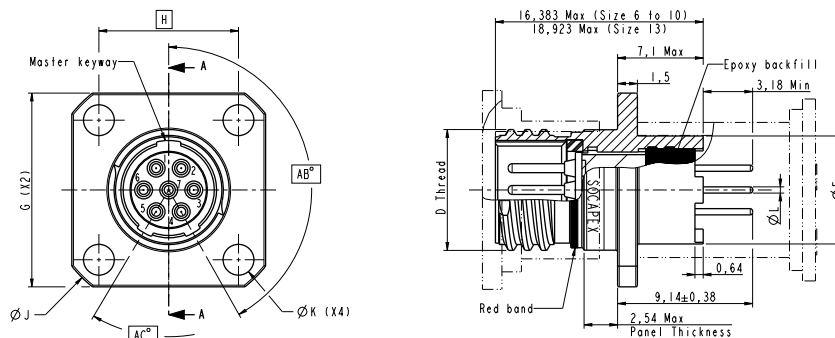
2M801-009-02



Shell Size	A (mm)	B (mm)	Ø C (mm)	Ø D (mm)	E Thread	Ø F (mm)
6	14,99	10,74	19,05	2,36	.3750-.05P-.1L-2A	7,37
7	16,51	12,27	21,59	2,36	.4375-.05P-.1L-2A	9,91
8	18,08	13,84	23,88	2,36	.5000-.05P-.1L-2A	11,30
9	21,59	15,42	28,58	3,25	.5625-.05P-.1L-2A	12,70
10	22,61	17,02	30,23	3,25	.6250-.05P-.1L-2A	14,22
13	26,16	20,62	34,93	3,25	.8125-.1P-.2L-2A	16,51

### Square Flange receptacle PCB:

2M801-011-02



Shell Size	G (mm)	H (mm)	Ø J (mm)	Ø K (mm)	Ø L (mm)	D Thread	Ø F (mm)
6	14,99	10,74	19,05	2,36	#23	0.3750-.05P-.1L-2A	8,38
7	16,51	12,27	21,59	2,36	0,46/0,56	0.4375-.05P-.1L-2A	10,97
8	18,08	13,84	23,88	2,36	20HD	0.5000-.05P-.1L-2A	12,52
9	21,56	15,42	28,58	3,25	0,64/0,69	0.5625-.05P-.1L-2A	14,00
10	22,61	17,02	30,23	3,25	#16	0.6250-.05P-.1L-2A	15,75
13	26,16	20,62	34,93	3,25	1,52/1,63	0.8125-.1P-.2L-2A	17,86

Others shell styles available from Amphenol Aerospace (USA), please consult us for more information.

All dimensions are given for information only and are in mm, except as otherwise specified | \*in mm: 1mm=0.03937 inch



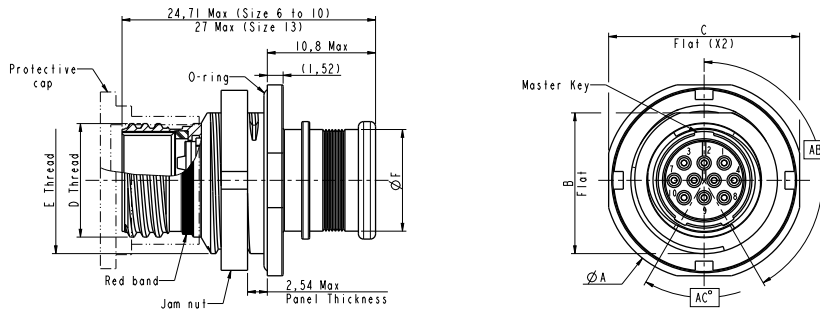


# SELECTION OF 2M801 DUAL-START

## Overall dimensions

### Jam Nut Receptacle with integrated backshell:

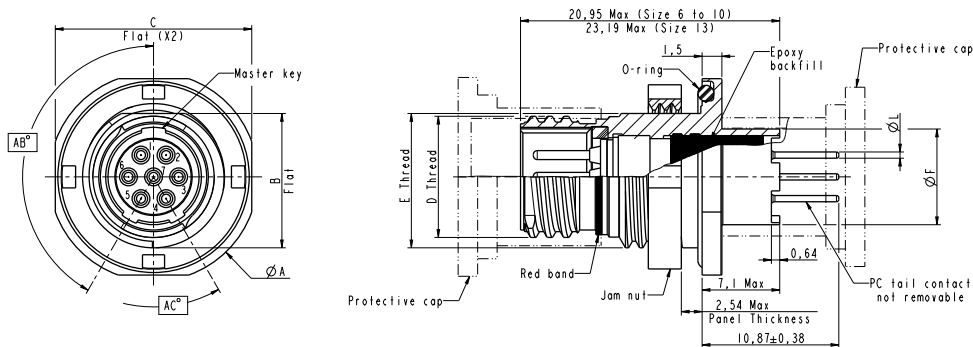
2M801-009-07



Shell Size	Ø A (mm)	B Flat (mm)	C Flat (mm)	D Thread	E Thread	Ø F (mm)
6	16,13	10,41	15,11	0.3750-.05P-.1L-2A	.4375-28 UNEF-2A	7,37
7	19,18	13,61	18,36	0.4375-.05P-.1L-2A	.5625-32 UN-2A	9,91
8	19,18	13,61	18,36	0.5000-.05P-.1L-2A	.5625-32 UN-2A	11,30
9	21,08	15,14	20,07	0.5625-.05P-.1L-2A	.6250-28 UN-2A	12,70
10	22,61	16,71	21,72	0.6250-.05P-.1L-2A	.6875-28 UN-2A	14,22
13	27,38	21,46	26,52	0.8125-.1P-.2L-2A	.8750-28 UN-2A	16,51

### Jam Nut receptacle PCB:

2M801-011-07



Shell Size	Ø A (mm)	B Flat (mm)	C Flat (mm)	D Thread	E Thread	Ø F (mm)	Ø L (mm)
6	16,13	10,41	15,11	0.3750-.05P-.1L-2A	.4375-28 UNEF-2A	8,38	#23 0,46/0,56
7	19,18	13,61	18,36	0.4375-.05P-.1L-2A	.5625-32 UN-2A	10,97	
8	19,18	13,61	18,36	0.5000-.05P-.1L-2A	.5625-32 UN-2A	12,52	#20/20HD 0,64/0,69
9	21,08	15,14	20,07	0.5625-.05P-.1L-2A	.6250-28 UN-2A	14,00	
10	22,61	16,71	21,72	0.6250-.05P-.1L-2A	.6875-28 UN-2A	15,75	#16 1,52/1,63
13	27,38	21,46	26,52	0.8125-.1P-.2L-2A	.8750-28 UN-2A	17,86	

Others shell styles available from Amphenol Aerospace (USA), please consult us for more information.

All dimensions are given for information only and are in mm, except as otherwise specified | \*in mm: 1mm=0.03937 inch

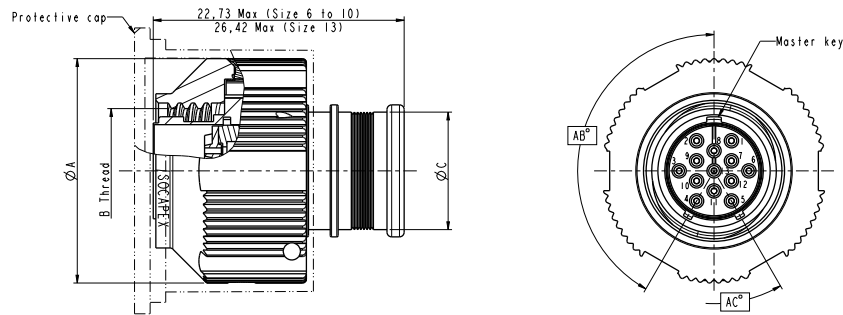
## SELECTION OF 2M801 DUAL-START



## Overall dimensions

## Straight Plug with integrated backshell:

2M801-007-26



Shell Size	Ø A (mm)	B (mm)	Ø C (mm)
6	18,03	0.3750-.05P-.1L-2B	7,37
7	20,07	0.4375-.05P-.1L-2B	9,91
8	21,84	0.5000-.05P-.1L-2B	11,30
9	23,37	0.5625-.05P-.1L-2B	12,70
10	25,02	0.6250-.05P-.1L-2B	14,22
13	29,21	0.8125-.1P-.2L-2B	16,51

Others shell styles available from Amphenol Aerospace (USA), please consult us for more information.

All dimensions are given for information only and are in mm, except as otherwise specified | \*in mm: 1mm=0.03937 inch

# SELECTION OF 2M801 DUAL-START

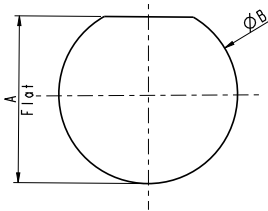
## Panel drilling

Jam Nut Receptacle Crimp version:

2M801-009-07

Jam Nut Receptacle PCB:

2M801-011-07

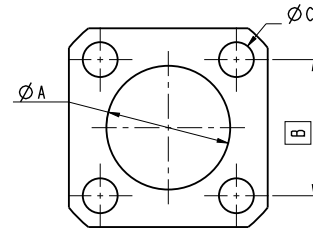


Square Flange Receptacle Crimp version:

2M801-009-02

Square Flange Receptacle PCB:

2M801-011-02



Panel Cutout		
Shell Size	A Flat ± 0,05 (mm)	Ø B ± 0,05 (mm)
6	10,57	11,35
7	13,77	14,53
8	13,77	14,53
9	15,29	16,13
10	16,62	17,70
13	21,62	22,48

Panel Cutout			
Shell Size	Ø A (mm)	B (mm)	Ø C ± 0,08 (mm)
6	9,91	10,74	2,36
7	11,43	12,27	2,36
8	12,95	13,84	2,36
9	14,61	15,42	3,25
10	16,26	17,02	3,25
13	20,96	20,65	3,25

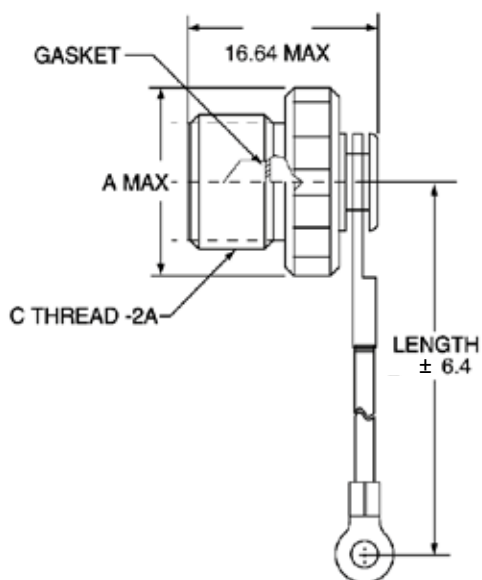
All dimensions are given for information only and are in mm, except as otherwise specified | \*in mm: 1mm=0.03937 inch

## SELECTION OF 2M801 DUAL-START

## Overall dimensions - Protective caps

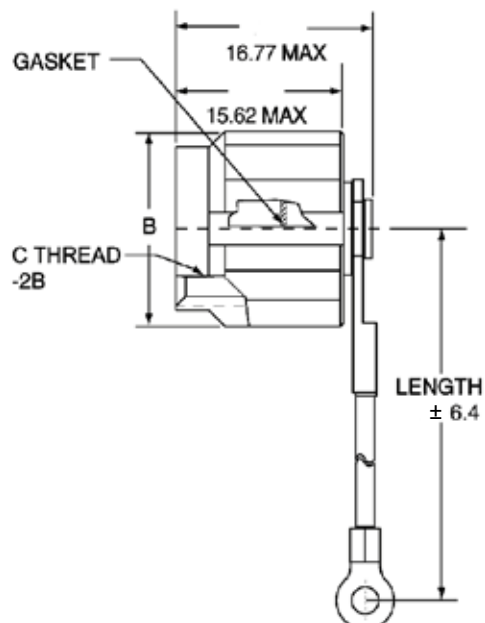
## Protective caps for plug:

2M667-217



## Protective caps for receptacle:

2M667-218



Shell Size	A Max. (mm)	B Max (mm)	C
6	13,28	15,57	.3750-.05P-1L
7	14,94	17,78	.4375-.05P-1L
8	16,46	19,25	.5000-.05-.1L
9	18,11	20,65	.5625-.05P-.1L
10	19,63	22,68	.6250-.05P-1L
13	24,46	27,00	.8125-.1P-.2L

## MATERIALS AND FINISHES

Cover	Aluminum alloy or stainless steel ✓
Shell finish (Aluminium only)	- Electroless Nickel ✓ - Olive Drab Cadmium - Black Zinc Nickel ✓
Gasket for plug	Fluorosilicone rubber
Gasket for receptacle	Silicone rubber
Wire, hardware	Stainless steel, passivated

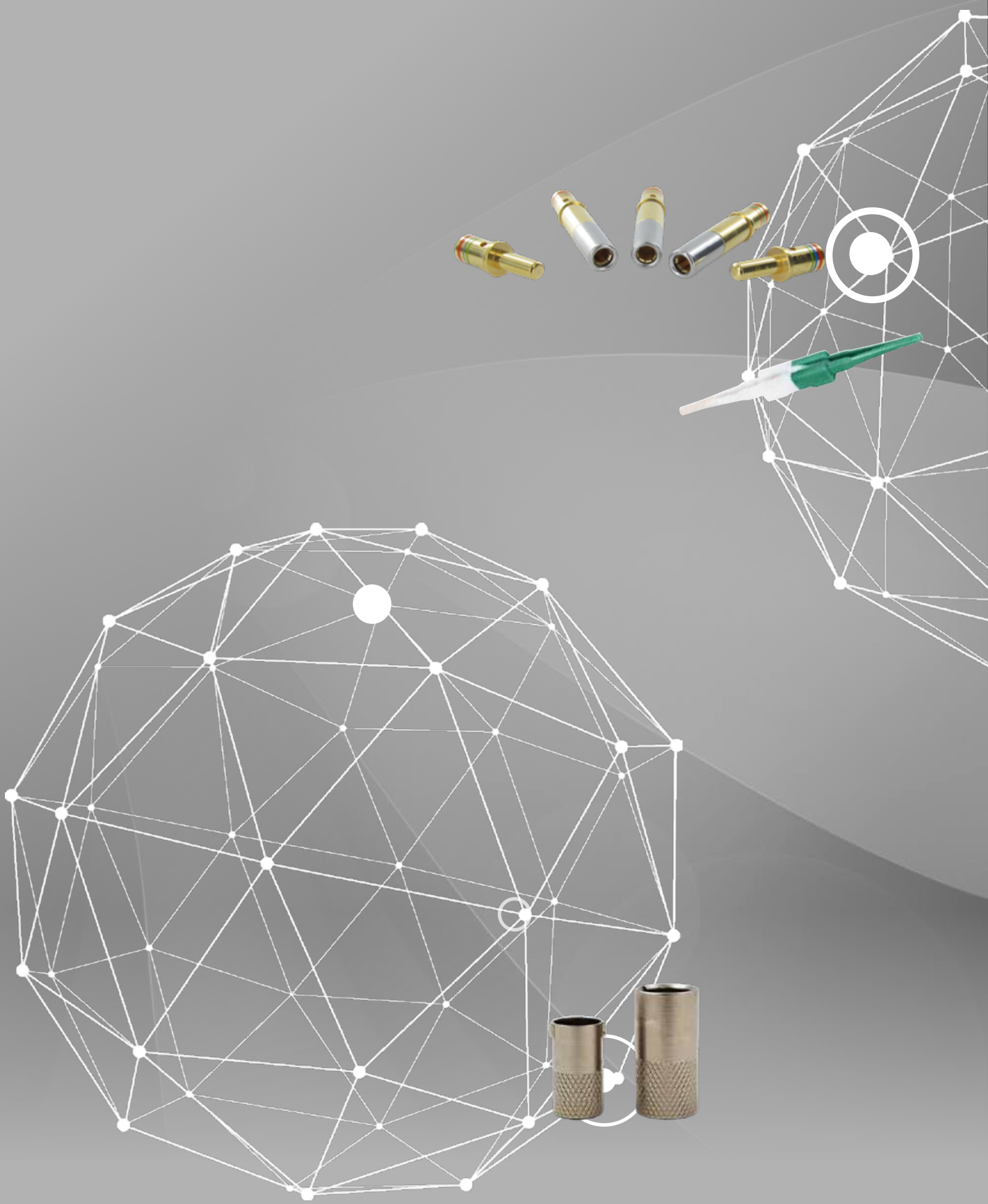
✓ : RoHS compliant

All dimensions are given for information only and are in mm, except as otherwise specified | \*in mm: 1mm=0.03937 inch

## CONNECTOR WEIGHT

Insert Arrg.	Plug (g)	Jam Nut Recept. Crimp (g)	Jam Nut Recept. PCB (g)	Sq. Flange Recept. Crimp (g)	Sq. Flange Recept. PCB (g)
6-1P	5,6	4,3	4,6	2,7	2,9
6-1S	5,9	4,6	4,9	3	3,2
6-4P	21,9	21,5	23	18,3	20,7
6-4S	24,5	24,1	25,6	20,9	23,3
6-6P	-	-	-	-	-
6-6S	-	-	-	-	-
6-7P	5,4	4,1	4,6	2,9	3,4
6-7S	5,6	4,4	4,7	3,2	3,5
6-23P	-	-	-	-	-
6-23S	-	-	-	-	-
7-10P	7,6	6,3	7,7	4,3	5
7-10S	8	6,7	7	4,7	5,2
7-25P	-	-	-	-	-
7-25S	-	-	-	-	-
8-2P	8,9	7,7	7,2	5,6	6,8
8-2S	9,6	8,4	8,7	6,3	7,5
8-13P	8,3	7,1	9,4	5	6,2
8-13S	8,9	7,6	8,1	5,6	6,5
8-28P	-	-	-	-	-
8-28S	-	-	-	-	-
9-4P	10,9	8,7	10,7	7,6	8,6
9-4S	11,8	10,6	11,6	8,5	9,5
9-19P	10,1	7,9	9,2	5,8	7,1
9-19S	10,9	8,7	9,7	6,6	7,6
9-200P	10,4	9,2	10,2	7,1	8,1
9-200S	11,4	10,2	11,2	8,1	9,1
9-210P	-	-	-	-	-
9-210S	-	-	-	-	-
10-5P	15,8	12,6	13,5	14,1	12,8
10-5S	17,1	13,9	14,8	15,4	14,1
10-26P	14,2	11	11,9	12,5	8,7
10-26S	15,3	12,1	12,5	16,7	9,2
13-7P	20	18,3	18,3	18,3	16,2
13-7S	22,4	20,7	20,7	20,7	18,6
13-37P	18,4	16,7	16,7	16,7	14,6
13-37S	19,9	17,6	17,6	17,6	15,5
13-220P	-	-	-	-	-
13-220S	-	-	-	-	-

All dimensions are given for information only and are in mm, except as otherwise specified | \*in mm: 1mm=0.03937 inch



## 2M SERIES CONTACTS AND TOOLS

### Crimp Contacts

Contact Size	Type	Amps	Wire Size AWG	Part Number	Color Band		
					1st	2nd	3rd
#23	Pin	5	#22-#28	2M809-001	-	-	-
	Pin		#26-#30	2M809-042*	Blue	-	-
	Socket		#22-#28	2M809-002	-	-	-
	Socket		#26-#30	2M809-043*	Blue	-	-
#20HD	Pin	7.5	#20-#24	2M809-204	-	-	-
	Socket		#20-#24	2M809-205	-	-	-
#16	Pin	13	#16-#20	M39029/58-364	Orange	Blue	Orange
	Socket		#16-#20	M39029/57-358	Orange	Green	Gray

\*Special order please consult Amphenol Socapex for information.



### Contact Tools

Contact Size	Tooling Part Numbers		
	Crimper	Positioner	Insertion/ Removal Number
#23	M22520/2-01	K1461-1* (Daniels)	DAK225-22* (Daniels Insertion Only) 2M809-23R (Removal only)
#20HD	M22520/2-01	2M809-206	2M809-20HDR (Removal only)
#16	M22520/1-01	M22520/1-04	M81969/14-03

\*Daniels Manufacturing Co. part number

Please note that the contacts tools have to be ordered from distribution.

### Crimp Tensile Strength

Contact Size	Wire Gage	Silver or Tin Coated Copper wire	Nickel Coated Copper Wire
#23, #20HD	#22	12	8
#23, #20HD	#24	8	6
#23	#26	5	3
#23	#28	3	2
#23	#30	1.5	1.5

Tensile Strength for size #23 and #20HD only  
Values represent minimums and are in pounds

### Series 2M Torque Values

Shell Size Series 2M801	Shell Size Series 2M805	Coupling Torque (N-m)		Jam Nut Tightening (N-m)		Backshell Tightening (N-m)	
		Min.	Max.	Min.	Max.	Min.	Max.
6	8	4,0	4,5	2,2	2,8	2,0	2,5
7	9	4,0	4,5	2,2	2,8	3,4	4,5
8	10	4,5	5,7	2,2	2,8	3,4	4,5
9	11	4,5	5,7	2,2	2,8	4,0	5,1
10	12	5,7	6,8	2,8	3,3	4,0	5,1
13	15	5,7	6,8	2,8	3,3	4,0	5,1

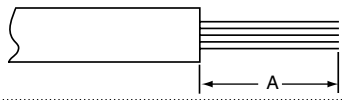
All dimensions are given for information only and are in mm, except as otherwise specified | \*in mm: 1mm=0.03937 inch

## 2M SERIES ASSEMBLY INSTRUCTIONS

### Wire Stripping

1. Strip wire to required length. (See Figure at right). When using hot wire stripping, do not wipe melted insulation material on wire strands; with mechanical strippers do not cut or nick strands.
2. See Table 1 for proper finished outside wire dimensions.
3. Twist strands together to form a firm bundle.
4. Insert stripped wire into contact applying slight pressure until wire insulation butts against wire well. Check inspection hole to see that wire strands are visible. If there are strayed wire strands, entire wire end should be re-twisted. When wire is stripped and properly installed into contact, the next step is to crimp the wire inside the contact by using the proper crimping tool.

Stripping Dimensions



Wire Size	A (mm)
23	2.92
20HD	4.77
16	4.77

Table 1

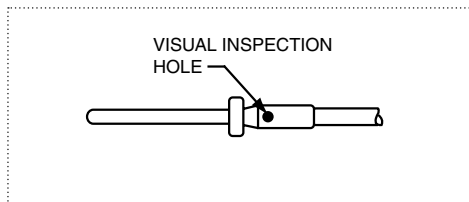
Contact Size	Wire Dimension (mm)**	
	Min.	Max.
16	1.651	2.769
20HD	1.016	1.956
23	0.635	1.219

\*\* Min. diameters to insure moisture proof assembly;  
max. diameters to permit use of metal removal tools.

### Crimping

See table on preceding page for more information on crimp contacts, contact tools, and crimp tensile strength.

1. Insert stripped wire into contact crimp pot. Wire must be visible through inspection hole.
2. Using correct crimp tool and locator, cycle the tool once to be sure the indentors are open, insert contact and wire into locator. Squeeze tool handles firmly and completely to insure a proper crimp. The tool will not release unless the crimp indentors in the tool head have been fully actuated.
3. Release crimped contact and wire from tool. Be certain the wire is visible through inspection hole in contact.



#### Examples of M22520 Series Crimping Tools:

Shown top: tool used for small size 23 contacts.  
Shown bottom: tool used for size 20, 16 contacts and has a positioner that can be dialed for each contact size.

### Watch our video

#### Contact Crimping Instructions



Scan  
& discover !



All dimensions are given for information only and are in mm, except as otherwise specified | \*in mm: 1mm=0.03937 inch



# 2M SERIES ASSEMBLY INSTRUCTIONS

## Contact Insertion

1. First remove hardware from the plug and receptacle and slide the hardware over wires in proper sequence.



Note: All plastic tools are double-ended. The colored side is the insertion tool and the white side is the removal tool.

2. Use proper plastic or metal insertion tool for corresponding contact. (Consult Insertion Tool table). Slide correct tool (with plastic tool use colored end) over wire insulation and slide forward until tool bottoms against rear contact shoulder.



Plastic tool with contact in proper position.



Metal tool with contact.

3. Next align the tool and contact up to the properly identified cavity at rear of connector plug. Use firm, even pressure; do not use excessive pressure. It is recommended to start at the center cavity. Contact must be aligned with grommet hole and not inserted at an angle. Push forward until contact is felt to snap into position within insert.



4. Remove tool and pull back lightly on wire, making sure contact stays properly seated and isn't dragged back with the tool. Repeat operation with remainder of contacts to be inserted, beginning with the center cavity and working outward in alternating rows.



**CAUTION:** when inserting or removing contacts, do not spread or rotate tool tips.

5. After all contacts are inserted, fill any empty cavities with wire sealing plugs.



6. Reassemble plug or receptacle hardware slide forward and tighten using connector pliers. Connector holding tools are recommended while tightening back accessories. When using strain relief, center wires at bar clamp. Slide clamp grommet into position and tighten clamp bar screws. When tightening screws, pressure should be applied in the same direction that clamp is threaded to rear threads of connector. When not using clamp grommet, build up wire bundle with vinyl tape so clamp bar will maintain pressure on wires.



## Contact removal

1. Remove hardware from plug or receptacle and slide hardware back along wire bundle.



2. Use proper plastic or metal removal tool for corresponding contact. Slide correct size tool over wire insulation.



Use white end of plastic tool for removal of contacts.

3. Insert plastic or metal removal tool into contact cavity until tool tips enter rear grommet and come to a positive stop. Hold tool tip firmly against positive stop on contact shoulder. Grip wire and simultaneously remove tool and contact. (On occasion, it may be necessary to remove tool, rotate 90° and reinsert.)



< Removal of contacts with metal tool.

## Watch our video

Contact Insertion Instructions

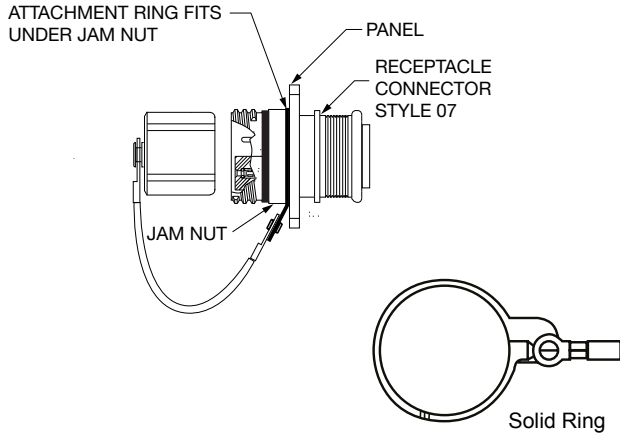


All dimensions are given for information only and are in mm, except as otherwise specified | \*in mm: 1mm=0.03937 inch

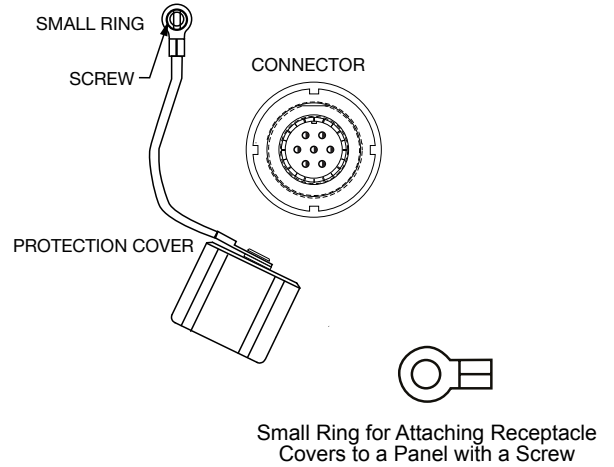
# 2M SERIES ASSEMBLY INSTRUCTIONS

## Cap attachment

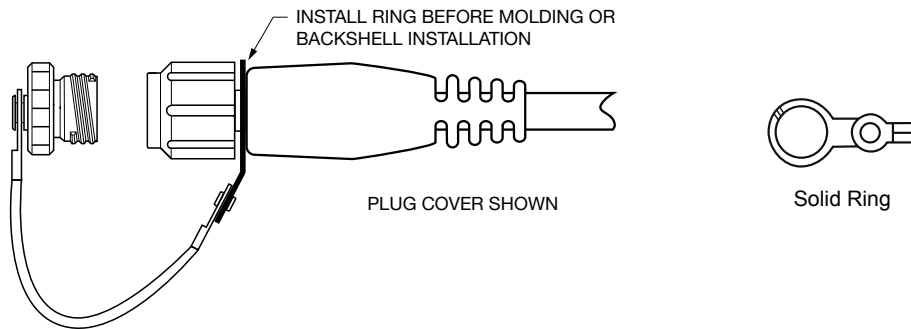
### CAP ATTACHMENT TO JAM NUT RECEPTACLE



### CAP ATTACHMENT TO PANEL



### CAP ATTACHMENT TO CABLE ASSEMBLY



All dimensions are given for information only and are in mm, except as otherwise specified | \*in mm: 1mm=0.03937 inch

Technical Characteristics  
2M805  
2M801  
Accessories  
How to order

## 2M SERIES ASSEMBLY INSTRUCTIONS

### Micro Band Shield Termination System:

Micro Band Termination: For assembling cables to overmolded style 2M connectors or backshells, the Micro Band System offers quick termination of cable shields and flexibility to be utilized on a wide range of parts with just one band size. These rugged straps have passed numerous hazardous environmental testing, including shock and vibration. Approved for use in military and aerospace applications.

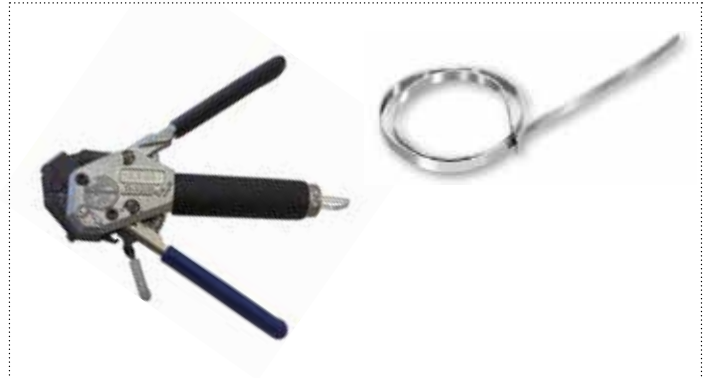
#### MATERIALS:

Micro Band Installation Tool. Use with 3.05 mm wide bands.  
172 mm. length, 0.6 Kg

Micro Band, 3.05 mm wide. Available in two lengths, flat or pre-coiled.  
Stainless steel.

Micro Band Installation Tool: **2M600-061**

Length (mm)	Part Number (Flat)	Accommodates Diameters (mm)
206,38	<b>2M600-057</b>	22,35
361,95	<b>2M600-083</b>	47,75



### Micro Band Shield Termination Instruction:

1. Prepare cable braid for termination process (Figure 1).

2. Push braid forward over adapter retention lip to the adapter incline point (10.2mm minimum braid length). Milk braid as required to remove slack and ensure a snug fit around the shield termination area (Figure 2).

3. Prepare the band in the following manner:

**IMPORTANT:** Due to connector/adaptor circumference, it may be necessary to prepare the band around the cable or retention area.

A. Roll band through the buckle slot twice. (Band must be double-coiled!)

B. Pull on band until mark is within approximately 6.4mm of buckle slot (Figure 3). The band may be tightened further if desired.

**NOTE:** Prepared band should have this mark visible approximately where shown in Figure 3. Shield Termination Clamping Process (Figures 4 thru 8)

**NOTE:** To free tool handles, squeeze handles together and move holding clips to center of tool.

4. Squeeze gray gripper release lever and insert band into the front end opening of the tool. (Circular portion of looped band must always face downward.)

5. Aligning the band and tool with the shield termination area, squeeze blue pull-up handle repeatedly in full strokes until it locks against tool body. (This indicates the band is compressed to the tool precalibrated tension.)

**NOTE:** To loosen or remove band before locking and cut-off, squeeze gray grip per release lever on tool and pull band out. To loosen or remove band after blue pull-up handle locks against tool body, squeeze pull-up handle and push tension release lever on top of tool forward. Let tension handle return to original position and use the gripper release lever to remove band.

6. Complete the clamping process by squeezing the black cut-off handle to form lock and trim excess band. To remove excess band from tool, squeeze gray gripper release handle, pull out and dispose. Inspect shield termination.

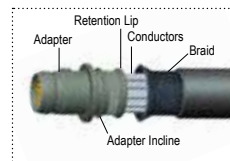


Fig. 1



Fig. 2



Fig. 3



Fig. 4



Fig. 5



Fig. 6



Fig. 7



Fig. 8

All dimensions are given for information only and are in mm, except as otherwise specified | \*in mm: 1mm=0.03937 inch

## 2M SERIES SHRINK BOOTS

### 2M809S060, 2M809A060 SHRINK BOOTS

The 2M Series of Shrink Boots is intended for use with the 2M series of connectors supplied with Integral Backshells. All shrink boots are supplied pre-coated with Hi-Temperature, Hot-Melt adhesive that will seal the boot to both the cable and connector. The boots also contains a lip that will lock on to a groove on the connector for improved strain relief.



## High Performance Elastomer - Lipped Shrink Boot

- Pre-coated with Adhesive
- Operating Temperature: -70°C to +150°C
- Rated for 3000 hrs. Continuous operation at +150°C
- Excellent resistance to fuels, oils, and solvents

Material	Spec
Fluid Resistant Polymer	VG 95343 Part 6

Boot Size	Shell Size		Straight Shrink Boots Part Number	Right Angle Boots Part Number
	Series 2M801	Series 2M805	Pre-Coated with Hi-Temp Hot-Melt Adhesive	Pre-Coated with Hi-Temp Hot-Melt Adhesive
2	6, 7	8, 9	2M809S060-2G	2M809A060-2G
3	8, 9	10, 11	2M809S060-3G	2M809A060-3G
4	10, 13	12, 15	2M809S060-4G	2M809A060-4G

## Zero Halogen - Lipped Shrink Boots

- Low Smoke, Zero Halogen
- Toxicity Requirements: Meets U.S. and EU standards
- Pre-coated with Adhesive
- Operating Temperature: -30°C to +125°C
- Good resistance to fuels, oils, and solvents

Material	Spec
Low Smoke Halogen Free	NAVSEA 5617649

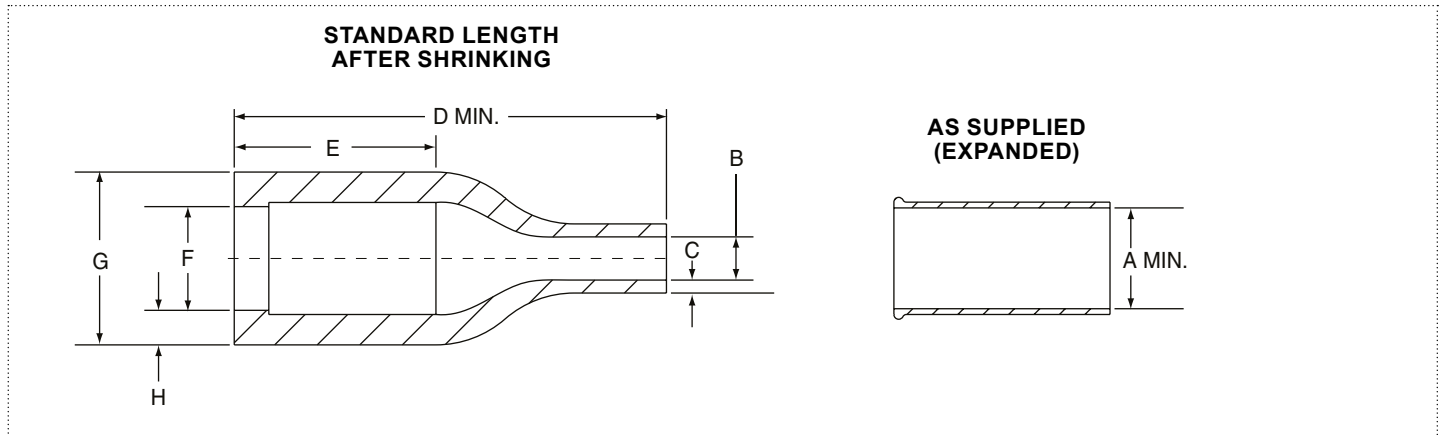
Boot Size	Shell Size		Straight Shrink Boot Part Number	Right Angle Shrink Boots Part Number
	Series 2M801	Series 2M805	Pre-Coated with Hi-Temp Hot-Melt Adhesive	Pre-Coated with Hi-Temp Hot-Melt Adhesive
2	6, 7	8, 9	2M809S060-2H	2M809A060-2H
3	8, 9	10, 11	2M809S060-3H	2M809A060-3H
4	10	12, 15	2M809S060-4H	2M809A060-4H

All dimensions are given for information only and are in mm, except as otherwise specified | \*in mm: 1mm=0.03937 inch

## 2M SERIES SHRINK BOOTS

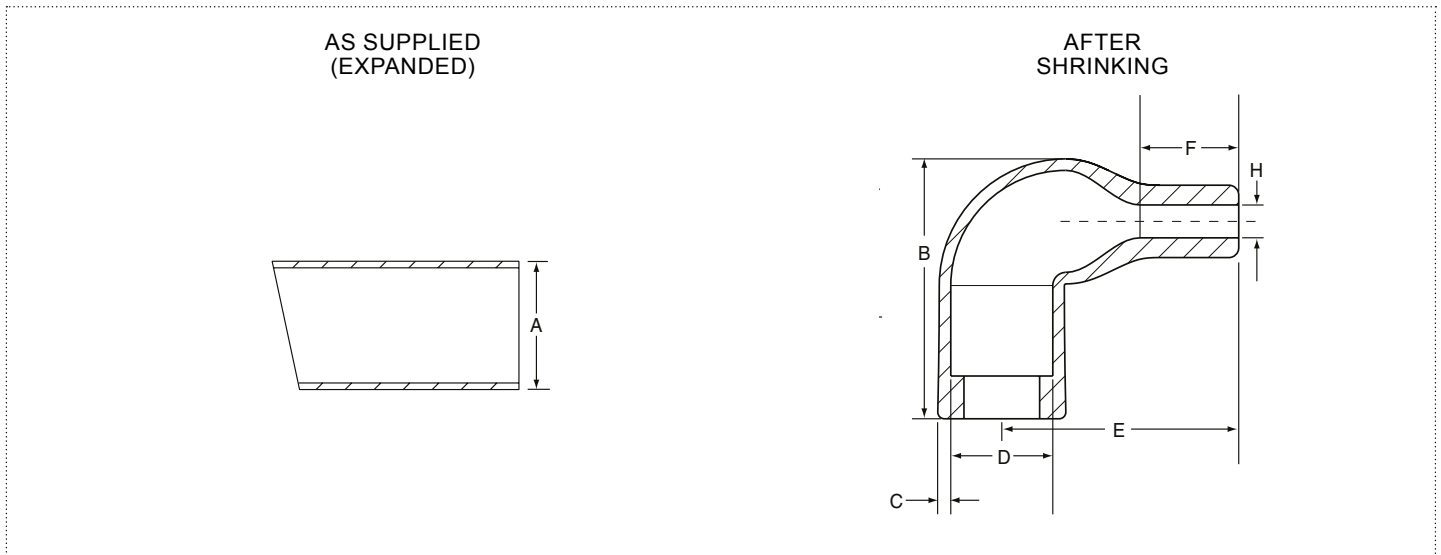
2M809S060, 2M809A060 SHRINK BOOTS

### Lipped Straight Shrink Boots



Boot Size	A Min. (mm)	B Max. (mm)	C $\pm$ 20% (mm)	D $\pm$ 10% (mm)	E Ref. (mm)	F Max. (mm)	G Ref. (mm)	H $\pm$ 30% (mm)
2	16,5	3,8	1,27	25,4	14,2	6,05	10,5	2,29
3	23,4	5,6	1,52	38,1	21,1	8,59	13,46	2,54
4	28,4	6,6	1,78	54,9	27,7	12,40	17,8	2,79

### Lipped Right Angle Shrink Boots



Boot Size	A Min. (mm)	B Ref. (mm)	C $\pm$ 30% (mm)	D Max. (mm)	E $\pm$ 20% (mm)	F Ref. (mm)	G $\pm$ 20% (mm)	H Max (mm)
2	16,5	20,1	1,0	7,9	18,3	7,62	1,6	2,5
3	23,3	22,9	1,3	10,4	20,3	5,8	1,3	5,6
4	28,5	28,5	1,5	14,2	29,8	7,1	1,5	6,3

All dimensions are given for information only and are in mm, except as otherwise specified | \*in mm: 1mm=0.03937 inch

# HOW TO ORDER - 2M805 TRI-START

Technical Characteristics

2M805

2M801

Accessories

How to order

1.	2.	3.	4.	5.	6.	7.
Series	Connector type	Shell type	Service Class	Shell size & arrangement	Contacts	Keying
<b>2M805</b>	<b>-001</b>	<b>-16</b>	<b>M</b>	<b>8-1</b>	<b>P</b>	<b>A</b>

## 1. Series

**2M805** 2M805 Tri-start

## 5. Shell Size & Insert arrangement

**8-1** 1 contact #16

**8-4** 4 contacts #23

**8-6** 6 contacts #23

**8-7** 7 contacts #23

**8-23** 3 contacts #20HD

**9-10** 10 contacts #23

**9-25** 5 contacts #20HD

**10-2** 2 contacts #16

**10-13** 13 contacts #23

**10-28** 8 contacts #20HD

**11-4** 4 contacts #16

**11-19** 19 contacts #23

**11-200** 2 contacts #16 - 4 contacts #23

**11-210** 10 contacts #20HD

**12-5** 5 contacts #16

**12-26** 26 contacts #23

**15-7** 7 contacts #16

**15-37** 37 contacts #23

**15-220** 20 contacts #20HD

## 2. Connector type

Connector type	Plug	Receptacle	Integrated backshell
<b>-001</b>	Crimp	Receptacle	Integrated backshell
<b>-003</b>	Crimp	Receptacle	Integrated backshell
<b>-005</b>	Straight PCB	Receptacle	Epoxy potting

## 3. Shell type

Shell type	Plug (001)	Self-Locking Ratchet
<b>-16</b>	Plug (001)	Self-Locking Ratchet
<b>-02</b>	Receptacle (003 & 005)	Square Flange
<b>-07</b>	Receptacle (003 & 005)	Jam Nut

## 4. Service Class

<b>M</b>	Electroless Nickel ✓
<b>NF</b>	Olive Drab Cadmium
<b>ZNU</b>	Black Zinc Nickel ✓

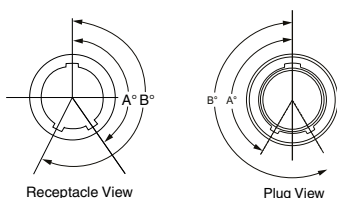
✓ : RoHS compliant

## 6. Contacts

<b>P</b>	Pin
<b>S</b>	Socket
<b>A</b>	Without Pin contacts
<b>B</b>	Without Socket contacts

## 7. Keying

Keying	A°	B°
<b>A</b>	150°	210°



## Download our 3D models

2M805 Configurator



All dimensions are given for information only and are in mm, except as otherwise specified | \*in mm: 1mm=0.03937 inch

# HOW TO ORDER - 2M805 PROTECTIVE CAPS

1.	2.	3.	4.	5.	6.	7.
Series	Cap type	Service class	Attachement type	Shell size	Attachement code	Attachement length
2M667	-261	M	G	8	01	-5

## 1. Series

**2M667** 2M805 Protective caps

## 2. Cap type

**-261** For plug  
**-262** For receptacle

## 3. Service class

**M** Electroless Nickel ✓  
**NF** Olive Drab Cadmium  
**ZNU** Black Zinc Nickel ✓

✓ : RoHS compliant



## 4. Attachement type

**G** Nylon Rope  
**H** Stainless Steel Wire Rope, Teflon Jacket

## 5. Shell Size

8 9 10 11 12 15

## 6. Attachement code

	Ring		I.D (mm)	For shell size
<b>01</b>		Small	3,20	All
<b>17</b>		Large	16,13	8
<b>18</b>			17,65	9,10
<b>19</b>			22,48	11,12
<b>20</b>			27,17	15

## 7. Attachement length

Inch lenght  
 Example **-5** for five inch length

All dimensions are given for information only and are in mm, except as otherwise specified | \*in mm: 1mm=0.03937 inch

# HOW TO ORDER - 2M801 DUAL-START

Technical Characteristics  
2M805  
2M801  
Accessories

1.	2.	3.	4.	5.	6.	7.
Series	Connector type	Shell type	Service Class	Shell size & arrangement	Contacts	Keying
<b>2M801</b>	<b>-007</b>	<b>-26</b>	<b>M</b>	<b>6-1</b>	<b>P</b>	<b>A</b>

## 1. Series

**2M801** 2M801 Dual-start

## 5. Shell Size & Insert arrangement

**6-1** 1 contact #16

**6-4** 4 contacts #23

**6-6** 6 contacts #23

**6-7** 7 contacts #23

**6-23** 3 contacts #20HD

**7-10** 10 contacts #23

**7-25** 5 contacts #20HD

**8-2** 2 contacts #16

**8-13** 13 contacts #23

**8-28** 8 contacts #20HD

**9-4** 4 contacts #16

**9-19** 19 contacts #23

**9-200** 2 contacts #16 - 4 contacts #23

**9-210** 10 contacts #20HD

**10-5** 5 contacts #16

**10-26** 26 contacts #23

**13-7** 7 contacts #16

**13-37** 37 contacts #23

**13-220** 20 contacts #20HD

## 2. Connector type

Connector type	Plug	Receptacle	Notes
<b>-007</b>	Crimp		Integrated backshell
<b>-009</b>		Receptacle	
<b>-011</b>	Straight PCB	Receptacle	Epoxy potting

## 3. Shell type

Shell type	Notes	Features
<b>-26</b>	Plug (007)	Self-Locking Ratchet
<b>-02</b>	Receptacle (009 & 011)	Square Flange
<b>-07</b>		Jam Nut

## 4. Service Class

<b>M</b>	Electroless Nickel ✓
<b>NF</b>	Olive Drab Cadmium
<b>ZNU</b>	Black Zinc Nickel ✓

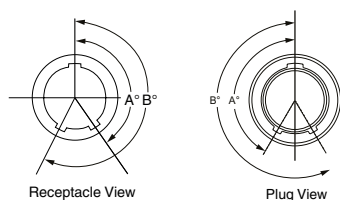
✓ : RoHS compliant

## 6. Contacts

<b>P</b>	Pin
<b>S</b>	Socket
<b>A</b>	Without Pin contacts
<b>B</b>	Without Socket contacts

## 7. Keying

<b>A</b>	A° 150°	B° 210°
----------	------------	------------



## Download our 3D models

**2M801 Configurator**



Scan & discover !



All dimensions are given for information only and are in mm, except as otherwise specified | \*in mm: 1mm=0.03937 inch



## HOW TO ORDER - 2M801 PROTECTIVE CAPS

1.	2.	3.	4.	5.	6.	7.
Series	Cap type	Service class	Attachement type	Shell size	Attachement code	Attachement length
2M667	-261	M	G	6	01	-5

## 1. Series

2M667	2M801 Protective caps
-------	-----------------------

## 2. Cap type

-217	Plug
-218	Receptacle

## 3. Service class

M	Electroless Nickel ✓
NF	Olive Drab Cadmium
ZNU	Black Zinc Nickel ✓

✓ : RoHS compliant



## 4. Attachement type

G	Nylon Rope
H	Stainless Steel Wire Rope, Teflon Jacket

## 5. Shell Size

6	7	8	9	10	13
---	---	---	---	----	----

## 6. Attachement code

	Ring		I.D (mm)	For shell size
01		Small	3,20	All
15		Large	11,30	6
16			14,48	7,8
17			16,13	9
18			17,35	10
19			22,48	13

## 7. Attachement length

Inch lenght  
Example -5 for five inch length

All dimensions are given for information only and are in mm, except as otherwise specified | \*in mm: 1mm=0.03937 inch

# NOTES

A series of horizontal dotted lines for taking notes, spanning the width of the page.

## ABOUT AMPHENOL

Founded in 1932, **Amphenol** is one of the largest manufacturers of interconnect products in the world. The company designs, manufactures, and markets electrical, electronic, and fiber optic connectors, interconnect systems, and coaxial and specialty cables.

**Amphenol** has a diversified presence as a leader in high growth areas of the interconnect industry and provides solutions for customers in the automotive, broadband, industrial, information technology and data communications, military and aerospace, mobile devices, and mobile networks markets.

More info on [www.amphenol.com](http://www.amphenol.com)

**Amphenol**  
ENABLING THE ELECTRONICS REVOLUTION

**Amphenol Military & Aerospace Operations (AMAO)** has the largest and broadest selection of interconnect products in the military and aerospace markets.

More info on [www.amphenolmao.com](http://www.amphenolmao.com)

**Amphenol**  
MILITARY & AEROSPACE

### Europe

FRANCE	Amphenol SOCAPEX	978 Promenade de l'Arve - 74300 Thyez	+33 4 50 89 28 00
FRANCE	Amphenol AIR LB	2 rue Clément Ader, ZAC de Wé - 08110 Carignan	+33 3 24 22 78 49
FRANCE	Amphenol SEFEE	Z.I. des Cazes – BP243 - 12402 Saint-Affrique Cedex	+33 5 65 98 11 00
GERMANY	Amphenol AIR LB GMBH	Am Kleinbahnhof 4 - 66740 Saarlouis	+49 6831 981 00
ITALY	Amphenol EUROPEAN SALES OPERATIONS	Via Barbaiana n.5 - 20020 Lainate - Milano	+39 293 254 214
UNITED KINGDOM	Amphenol INVOTEC	Unit 1-3, Hedging Lane Industrial Estate, Dosthill - Tamworth, B77 5HH	+44 1827 263 000
UNITED KINGDOM	Amphenol IONIX SYSTEMS	Prospect House, Taylor Business Park, Risley, Warrington, WA3 6HP	+44 1 942 685 200
UNITED KINGDOM	Amphenol LTD	Thanet Way, Whitstable - KENT, CT53JF	+44 1227 773 200
UNITED KINGDOM	Amphenol MARTEC	Thanet Way, Whitstable - KENT, CT53JF	+44 1227 793 733

### North America

CANADA	Amphenol CANADA	605 Milner avenue - Toronto, Ontario	+1 416 291 0647
USA	Amphenol AEROSPACE OPERATIONS	40-60 Delaware street - Sidney, NY 13838	+1 800 678 0141
USA	Amphenol BORISH TECHNOLOGIES	4511 East Paris AVE - Grand Rapids, MI 49512	+1 616 554 9820
USA	Amphenol FSI	1300 Central Expwy N, Suite 100 - Allen, TX 75013	+1 214 547 2400
USA	Amphenol GRIFFITH ENTERPRISES	6000 East Coury Drive - Cottonwood, AZ 86326	+1 928 634 3685
USA	Amphenol NEXUS TECHNOLOGIES	50 Sunnyside Avenue - Stamford, CT 06902	+1 203 327 7300
USA	Amphenol PCD	72 Cherry Hill Drive - Beverly, MA. 01915	+1 978 624 3400
USA	Amphenol PRINTED CIRCUIT	Board Technology, 91 Northeastern Boulevard - Nashua, NH 03062	+1 603 324 4500
USA	Amphenol SV MICROWAVE	2400 Centrepark West Drive - West Palm Beach, FL	+1 561 840 1800
USA	Amphenol TIMES MICROWAVE	358 Hall Avenue - Wallingford, CT 06492	+1 800 867 2629

### Asia

CHINA	Amphenol PCD CO.	Building 21, 1 <sup>st</sup> Liao Keng Industrial Zone, Shi Yan Street - Bao An District - Shenzhen 518108	+86 755 8173 8000/8286
INDIA	Amphenol INTERCONNECT INDIA	105 Bhosari Industrial Area - Pune 411 026	+91 20 27120363
JAPAN	Amphenol JAPAN	471-1, Deba, Ritto-City - Shiga 520 3041	+81 77 553 8501
KOREA	Amphenol DAESHIN	558 SongNae-Dong SoSa-Gu, Bucheon-city, Kyunggi-Do - 420-130	+81 32 610 3830/3845
SINGAPORE	Amphenol EAST ASIA	26/F, Railway Plaza, 39 Chatham Road South, Tsim Sha Tsui, Kowloon, Hong Kong	+65 6294 2128

### Other Areas

AFRICA	Amphenol AFRICA	30 Impala Rd - Sandton 2146	+27 82 410 5179
ARGENTINA	Amphenol ARGENTINA	Av. Callao 930 2do piso Oficina B "Plaza" C1023 - AAP Buenos Aires	+54 11 4815 6886
AUSTRALIA	Amphenol AUSTRALIA PTY	2 Fiveways Blvd., Keysborough - Melbourne - Victoria 3173	+61 3 8796 8888
BRAZIL	Amphenol DO BRAZIL	Rua Diogo Moreira, 132, 20 andar, rooms 2001-2-3	+55 11 3815 1003
ISRAEL	Amphenol BAR-TEC	3 Hagavish Street, K fir-Barkan Bldg, East Industrial Zone - Kfar-Sava, 44102	+972 9 764 4100
MEXICO	Amphenol OPTIMIZE	Carretera Internacional Km 6.5, Col. Parque Industrial, Nogales, Sonora, C.P. 84094	+52 631 311 160
NEW ZEALAND	Amphenol PHITEK	Level 4, 2 Kingdon Street, Newmarket, Auckland 1023	+64 9 524 2984
RUSSIA	Amphenol RUSSIA	Yaroslavskaja Street 8 - 129164 Moscow	+7 495 937 6341
TURKEY	Amphenol TURKEY	Sun Plaza 15 Kat: 15 Maslak Hah. Bilim Sok. No.5 - Sisli/Istanbul, 34398	+90 212 367 92 19

# Amphenol SOCAPEX



## Amphenol Socapex

948, promenade de l'Arve BP29  
74311 Thyez Cedex - France  
Phone: +33 (0)4 50 89 28 00  
[contact@amphenol-socapex.fr](mailto:contact@amphenol-socapex.fr)  
[www.amphenol-socapex.com](http://www.amphenol-socapex.com)



## For Technical Support

+33 (0)4 50 89 28 49  
[technicalsupport@amphenol-socapex.fr](mailto:technicalsupport@amphenol-socapex.fr)  
[www.amphenol-socapex.com/technical\\_support](http://www.amphenol-socapex.com/technical_support)



## To buy our products

+33 (0)4 50 90 28 00  
[contact@amphenol-socapex.fr](mailto:contact@amphenol-socapex.fr)  
[www.amphenol-socapex.com/amphenol/sales](http://www.amphenol-socapex.com/amphenol/sales)  
Request a quote online at [www.amphenol-socapex.com/quotation\\_request](http://www.amphenol-socapex.com/quotation_request)



## Documentation

[www.amphenol-socapex.com/documentation](http://www.amphenol-socapex.com/documentation)  
To order a paper version of our catalogs, send an e-mail to [communication@amphenol-socapex.fr](mailto:communication@amphenol-socapex.fr)



[www.amphenol-socapex.com](http://www.amphenol-socapex.com)  
Follow Amphenol Socapex on social media :



*This catalog uses paper from managed forests, PEFC & FSC labels, and is printed by a printer certified "Imprim'Vert®"*

*We reserve the right to modify our products in any way we deem necessary.  
Any duplication is prohibited, unless approved in writing.*

Designed by **Amphenol Socapex**  
DOC-001016-ANG - February 2021