

# USB3 FTV Memory Keys

## USB3.2 Gen1 Reinforced Memory Keys for data storage in harsh environment



### Description

USB3.2 Gen1 reinforced memory keys allows you to carry sensitive information in total security in harsh military, avionics/airframe or industrial environment. Its design, based on MIL-DTL-38999 series III can only be mated to our USB3FTV or USBFTV receptacles and is available, as standard, in capacities from 32 to 256Gb.

Electronics used in our reinforced USB keys are from the latest generation, using TLC 3D flash technology (BiCS3) and benefit from PLM "Product Life Management" which means that we can inform about future evolution and obsolescence.

### Main features

#### Main characteristics :

- Available capacities : 32, 64, 128 & 256Gb.
- Compatible only with USB3FTV or USBFTV receptacles.
- Tri Start Thread coupling mechanism (MIL-DTL-38999 series III type) with anti-decoupling device.
- Shell size 15.
- PLM "Product Life Management" : future evolution and obsolescence notification.

#### Data transmission :

- USB3.2 Gen1 max transfer rate : 5 Gb/s.
- Compatible with USB2.0 transfer with 480Mb/s.
- TLC 3D flash technology (BiCS3).
- MTBF: >3 000 000 hours.
- Global Wear Leveling.
- Flash bad-block management.

#### Environmental protection :

- Sealed against fluids and dusts : IP68 mated.
- Salt spray: Aluminium shell :
  - Nickel plating ✓ : 48h.
  - Black zinc nickel plating ✓ : 500h.
  - Olive drab cadmium plating : 500h.
- Vibrations: MIL-STD-810G method 514.5 fig 514.5.C cat 14.
- Temperature range: - 40°C / +85°C (MIL-STD-810F).
- Data transmission during vibration & temperature tests.

✓ : RoHS compliant

### Markets & Applications



C5ISR, Battlefield,  
Ground Vehicles



Navy



Railway



#### Applications :

- Data acquisition and transmission in harsh environment, radars, shelters, battlefield communication

# USB3 FTV Memory Keys

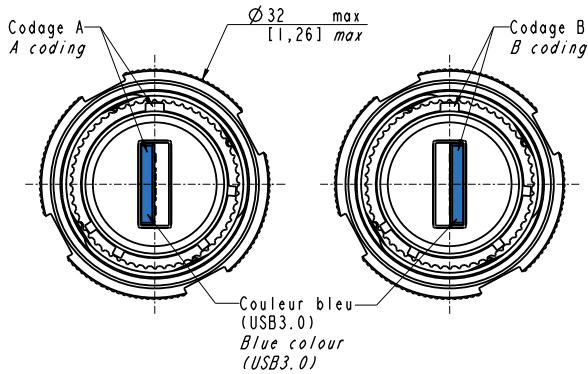
## Overall dimension

### USB3 FTV Memory Keys

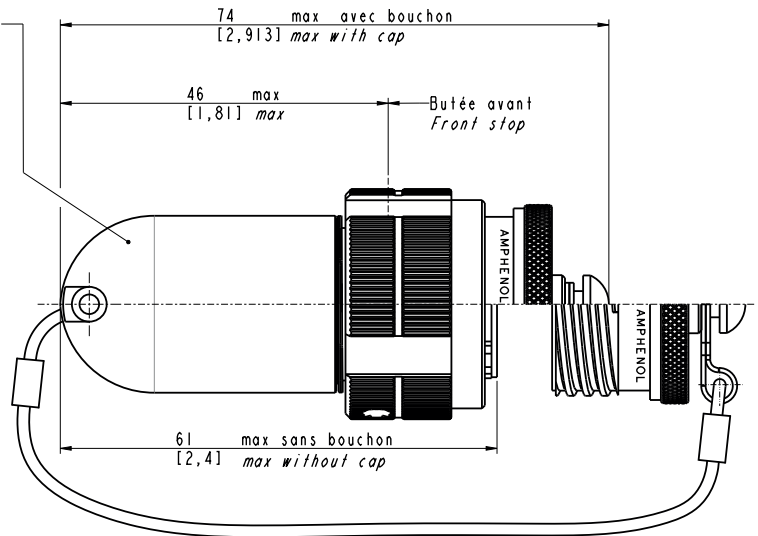
X: see the 'How to order' below to complete your part number

Part number type: **USB3F TV KEY 6 X XXX X XXX APA UV**

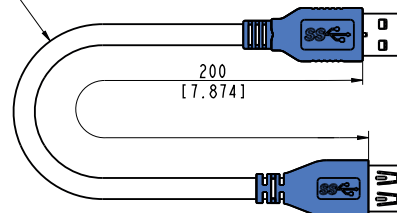
Corps vissé avec du frein filet.  
Ne pas dévisser car cela endommagera l'électronique à l'intérieur.  
Backshell screwed with thread locking.  
Do not unscrew or it will break the electronic inside.



Coding A & B



Cordon mâle / femelle USB3.0  
Male / female USB3.0 cordset



Included Male / Female cordset

## USB3 FTV Memory Keys

### How to order - Connector

1. Series	2. Shell type	3. Capacity	4. Material and plating	5. Protective cap	6. Mandatory
USB3F TV KEY 6	A	32	G		APA UV

#### 1. Series

**USB3F TV KEY 6** | USB3 FTV Memory Keys

#### 2. Coding

**A** | Coding A  
**B** | Coding B

#### 3. Capacity

**32** | 32 Gb  
**64** | 64 Gb  
**128** | 128 Gb  
**256** | 256 Gb

#### 4. Material and plating

	Shell material	Shell finish
<b>G</b>		Olive drab cadmium
<b>N</b>	Aluminum	Nickel ✓
<b>ZN</b>		Black zinc nickel ✓

#### 5. Protective cap

**CAP** | Without Cap  
With Cap Backshell

#### 6. Mandatory

**APA UV** | Mandatory

✓ : RoHS compliant

Amphenol Socapex  
948, promenade de l'Arve BP29  
74311 Thyez Cedex - France  
Phone: +33 (0)4 50 89 28 00  
contact@amphenol-socapex.fr

www.amphenol-socapex.com  
Follow Amphenol Socapex on social media :



Designed by Amphenol Socapex  
DOC-001040-ANG - March 2021

We reserve the right to modify our products in any way we deem necessary.  
Any duplication is prohibited, unless approved in writing.

**Amphenol SOCAPEX**