

MPO Field Fiber Optic Solution



NEW

Transform your MPO patchcord into an environmental connector

MPO Field offers an easy system to upgrade from a standard to an environmental MPO with no cabling operation for installation in field.

Main Features

- Uses standard MPO Patchcord
- MPO inside a MIL-DTL 38999 Series III size 13 shell
- Sealed against fluids and dust (IP68)
- Shock, vibration proof
- No cabling operation in field

Characteristics

- Number of channels : 12 or 24 depends on MPO
- Typical insertion loss : 0,5dB Multimode or Singlemode
- Durability : 500 mating/unmating cycles



Markets & Applications



C4ISR

Threat detection system
Soldier wearable equipment
Rugged computer & digital radio
Satellite reception unit
Radars



Navy

Navigation
Embedded Network
Data Centers



Military Aerospace & Airframe

Radars
Display unit
Flight control system

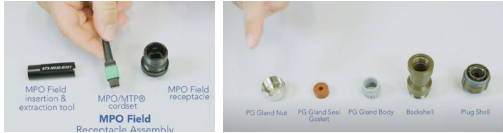


Military vehicles

Vetronics
Optronics
Communication Systems

MPO Field Assembly

Assembling your MPO FIELD



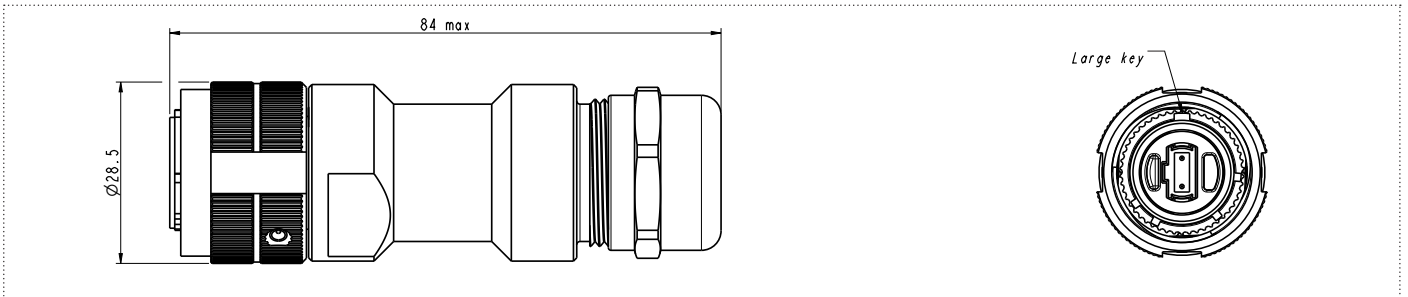
See our new video
«MPO Field» :



MPO Field Straight Plug

Plug with metallic backshell and metallic gland

MIL-DTL 38999 Series III Size 13

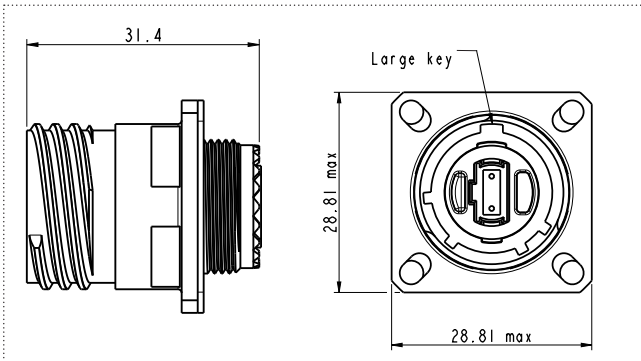


3D files available on request

MPO Field Receptacles

Square flange receptacle

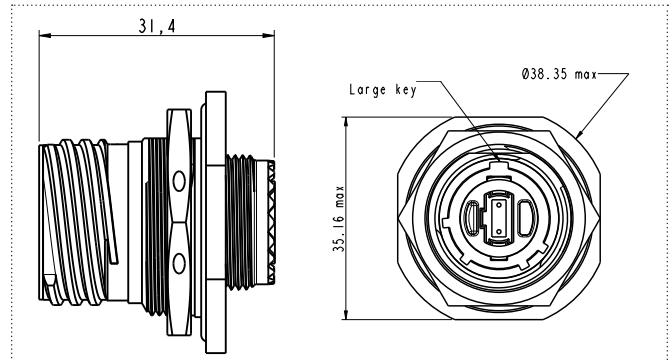
MIL-DTL 38999 Series III Size 13



3D files available on request

Jam nut receptacle

MIL-DTL 38999 Series III Size 13



3D files available on request

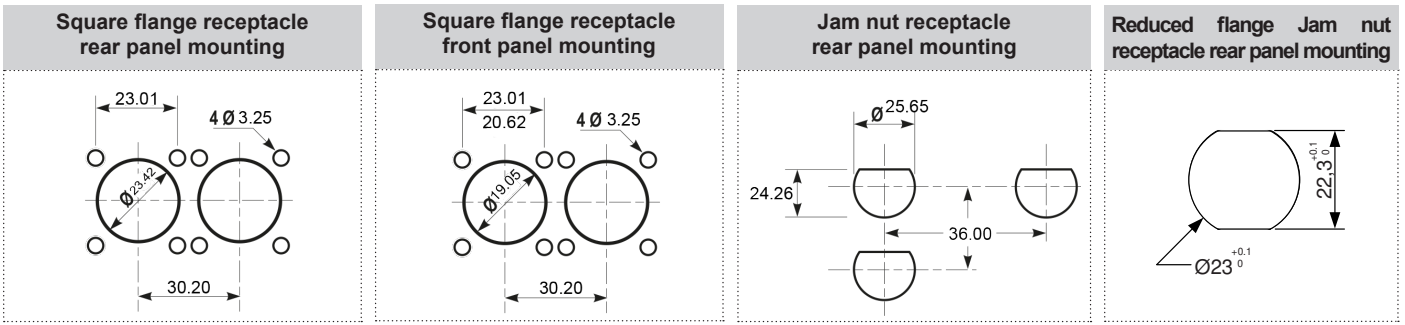
Reduced flange Jam nut receptacle

MIL-DTL 38999 Series III Size 13



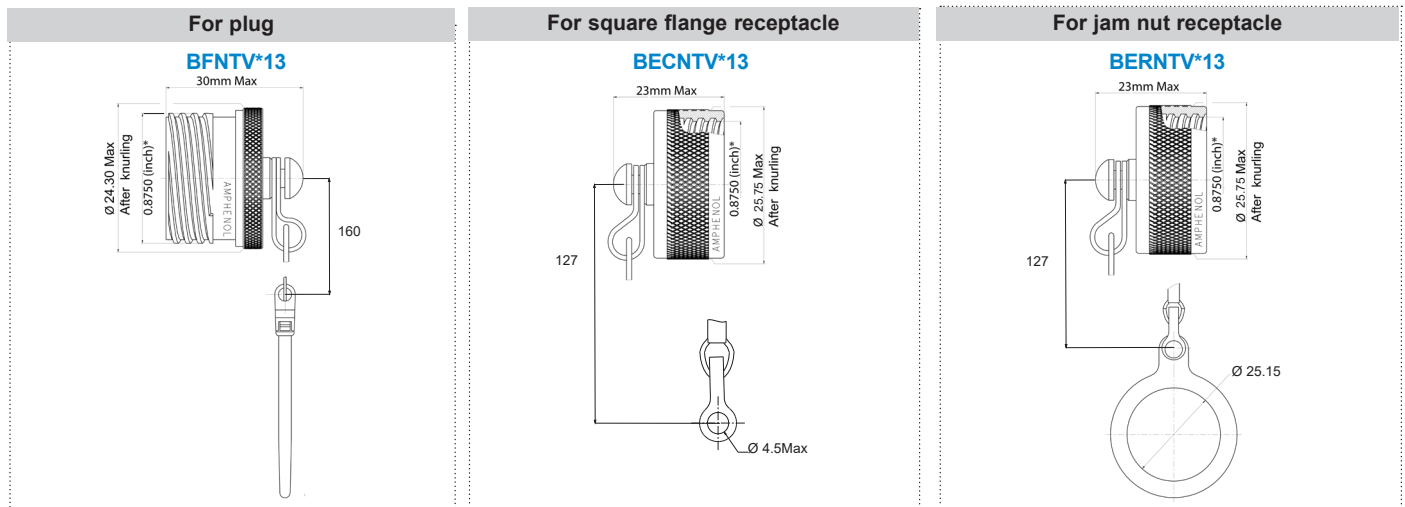
3D files available on request

MPO Field Panel drilling



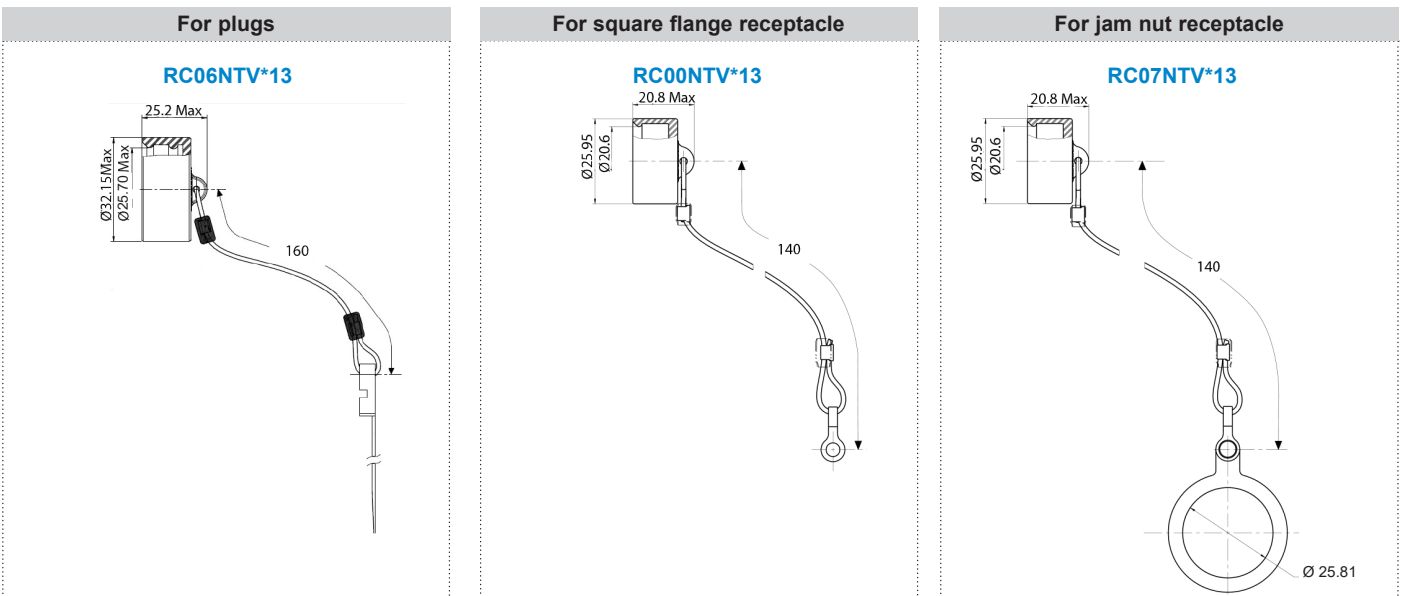
MPO Field Protective Caps

Standard Metal Protective Caps



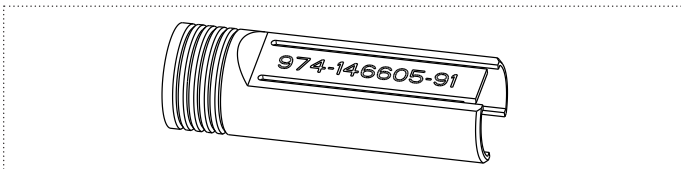
*A thread 0.1P-0.3L-TS; Class 2A (External); Class 2B (Internal)

Protective Rubber Caps



Accessories

MPO Field Extraction Tool



See how to use it in the video :



MPO Field - How to order

MPO Field Connectors

1.	2.	3.	4.	5.	6.
Series	Shell type	Cable type	Shell protection	Shell coding	Deviation
MPOFTV	6M	A	N	N	F311

1. Series

MPOFTV MPO Field TV Series

2. Shell type

- 6M** Plug with metallic backshell and metallic gland
- 2** Square flange receptacle
- 7** Jam Nut receptacle

3. Cable type

Only for plug

- A** Round cable from Ø 2 to 2,99mm
- B** Round cable from Ø 3 to 3,99mm
- C** Round cable from Ø 4 to 5,99mm
- D** Round cable from Ø 6 to 7,99mm

Only for receptacle (no backshell available for MPO FIELD)

- 0** Receptacle without backshell

4. Shell protection

- N** Electroless Nickel ✓
- G** Olive drab cadmium
- B** Marine Bronze ✓
- ZN** Black zinc nickel ✓

5. Shell coding

- N** Standard coding N
- A** Coding A
- B** Coding B
- C** Coding C
- D** Coding D

6. Deviation (metal shells and jam nut receptacle only - TV Series)

Deviation	Description
F311	Reduced flange jam nut receptacle with a safety castle nut
F312	Reduced flange jam nut receptacle with a standard castle nut

Standard Metal Protective Caps

1.	2.	3.	4.	5.	6.	
Cap type	Cap style	Wire type	Series	Material and platings	Cap size	Deviation
B	EC	N	TV	W	13	-

1. Cap style

- EC** For square flange receptacle
- ER** For jam nut receptacle
- F** For plugs

2. Wire type

- N** Nylon cord

3. Series

TV For MIL-DTL-38999 Serie III (TV-CTV), RNJLP, SC39, Powersafe

4. Materials and platings

	Shell material	Shell finish
W		Olive drab cadmium
F	Aluminum	Nickel ✓
ZN		Black zinc nickel ✓
B	Marine Bronze ✓	-

5. Cap size

13

6. Deviation (TV Series only)

F057 For Reduced flange jam nut receptacle (TV Series, RJFTV, USBFTV)

Protective Rubber Caps

1.	2.	3.	4.	
Cap type	Cap style	Wire type	Series	Cap size
RC	00	N	TV	13

1. Cap style

- 00** For square flange receptacle
- 07** For jam nut receptacle
- 06** For plugs

2. Wire type

- N** Nylon cord

3. Series

TV For MIL-DTL-38999 Serie III (TV-CTV), RNJLP, SC39

4. Cap size

13

✓ RoHS compliant

Amphenol Socapex
948, promenade de l'Arve BP29
74311 Thyez Cedex - France
Phone: +33 (0)4 50 89 28 00
contact@amphenol-socapex.fr

www.amphenol-socapex.com
Follow Amphenol Socapex on social media :



Designed by Amphenol Socapex
DOC-001029-ANG - August 2020

We reserve the right to modify our products in any way we deem necessary.
Any duplication is prohibited, unless approved in writing.

Amphenol SOCAPEX