

38999 INTEGRATED BACKSHELLS

All in one



Description

MIL-DTL-38999 Series I & III Connectors with INTEGRATED BACKSHELL

Available on plugs and receptacles, these 2 in 1 connectors/band backshells provide a high EMI protection with a quick, easy and cost effective cabling process. They are low profile, with enhance sealing level and allow the use of macro and micro bands, as well as straight or right angled heat shrink molded pieces. The design of the shells make them compatible with over molding process.

Main Features

- Suitable for MIL-DTL-38999 Series III and Series I connectors
- Available on plugs and receptacles
- All in one product : time saving during order and installation
- Total length saving : average -47% vs standard plug with TV35 backshell
- Average -50% lighter vs standard plug with TV35 backshell
- High EMI protection
- Braid clamping (metal Band-it)
- Available materials/plating:
 - Aluminum (olive drab cadmium / electroless nickel / black zinc nickel)
 - Bronze
 - Stainless steel

Markets & Applications



C4ISR



Ground Vehicles



Commercial Aerospace



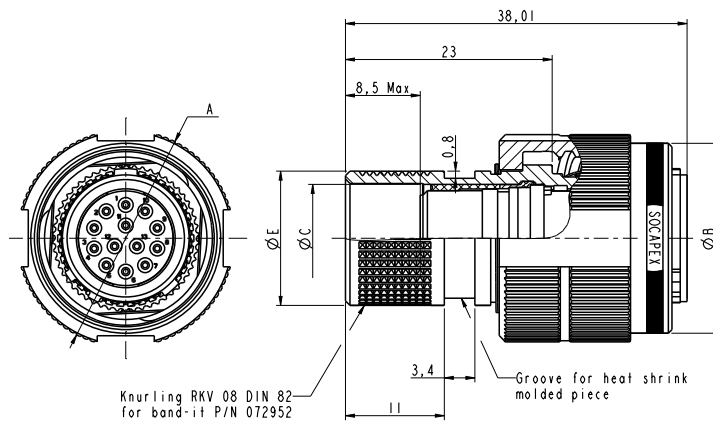
Applications :

- › I/O connectors for boxes
- › Communication systems on the field
- › Various embedded equipment

38999 INTEGRATED BACKSHELLS

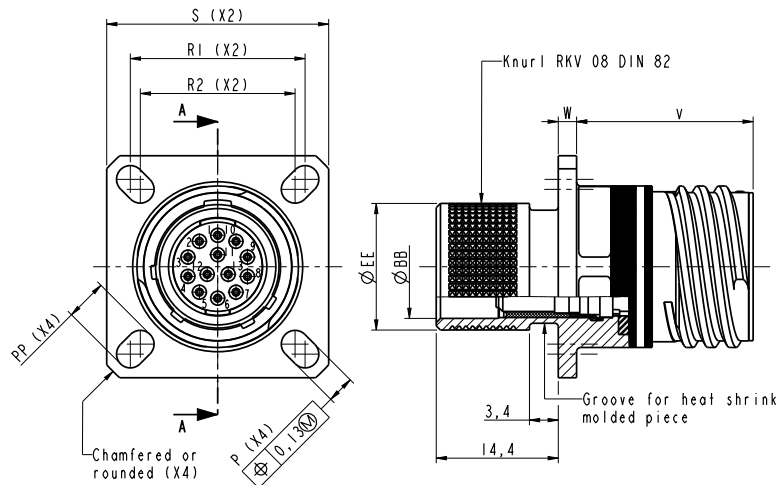
TV

Plug TV 06 F472



Size	ØA Max	ØE 0 -0,2	ØB +0,2 0	ØC
09	21,8	12	18,4	8,74
11	25,0	15	21,1	11,99
13	29,4	18	25,4	14,88
15	32,5	22	28,7	18,06
17	35,7	25	32,2	21,23
19	38,5	28	34,9	23,93
21	41,7	31	38,1	27,1
23	44,9	34	41,1	30,28
25	48,0	37	44,3	33,45

Square Flange Receptacle TVP 00 F472

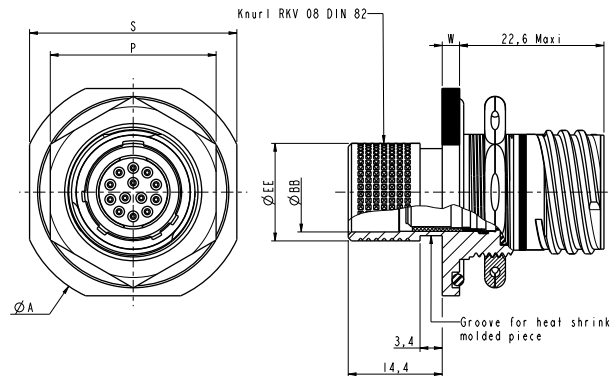


Size	S ± 0,3	R1	R2	PP ± 0,2	P ± 0,2	ØEE Max	ØBB	V 0 -1,25	W
09	23,8	18,26	15,09	5,49		12	9,0		
11	26,2	20,62	18,26	4,93		15	12,2		
13	28,6	23,01	20,62			18	15,1		
15	31,0	24,61	23,01	4,39	3,25	22	18,3	20,83	2,1 - 2,5
17	33,3	26,97	24,61			25	21,5		
19	36,5	29,36	26,97	4,93		28	24,2		
21	39,7	31,75	29,36			31	27,3		
23	42,9	34,93	31,75			34	30,5	20,07	2,1 - 3,2
25	46,0	38,10	34,93	6,15	3,91	37	33,7		

38999 INTEGRATED BACKSHELLS

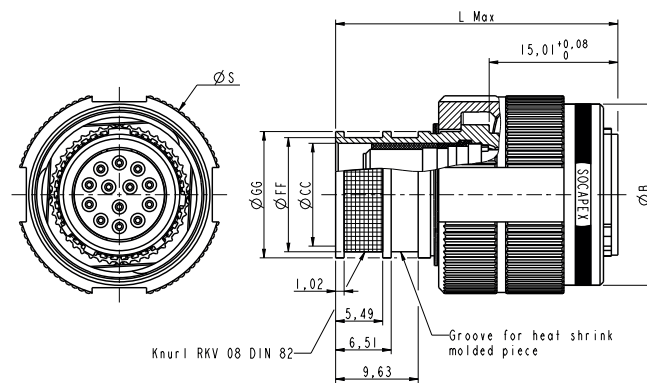
TV

Jam Nut Receptacle TV 07 F472



Size	S ± 0,4	ØA ± 0,3	ØBB	ØEE Max	P ± 0,4	W ^{+0,9} _{-0,1}
09	27,0	30,2	9,0	12,0	22,2	
11	31,8	34,9	12,2	15,0	25,4	
13	34,9	38,1	15,1	18,0	30,2	2,2
15	38,1	41,3	18,3	22,0	33,3	
17	41,3	44,5	21,5	25,0	36,5	
19	46,0	49,2	24,2	28,0	39,7	
21	49,2	52,4	27,3	31,0	42,9	
23	52,4	55,6	30,5	34,0	46,0	3,0
25	55,6	58,7	33,7	37,0	50,8	

Plug TV 06 F472A

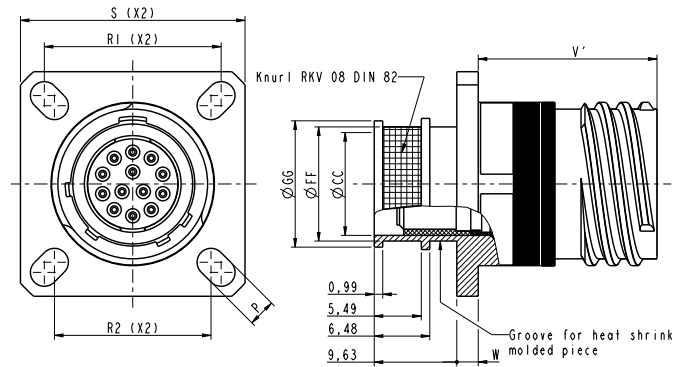


Size	Ø S Max	Ø B ^{+0,2} ₀	Ø CC	Ø FF ^{+0,13} ₀	Ø GG ⁰ _{-0,2}	L Max
09	21,8	18,4	8,74	10,57	12	
11	25	21,1	11,99	13,26	15	32,95
13	29,4	25,4	14,88	16,56	18	
15	32,5	28,7	18,06	20,57	22	33,1
17	35,7	32,2	21,23	23,57	25	
19	38,5	34,9	23,93	26,57	28	33,25
21	41,7	38,1	27,1	29,57	31	
23	44,9	41,1	30,28	32,56	34	33,41
25	48	44,3	33,45	35,56	37	

38999 INTEGRATED BACKSHELLS

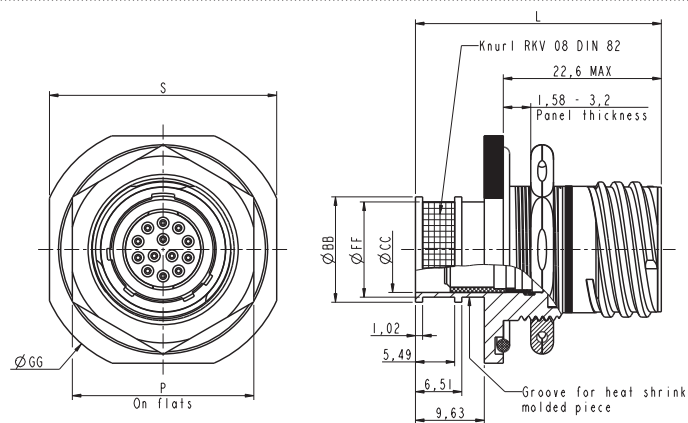
TV

Square Flange Receptacle TVP 00 F472A



Size	S ± 0,3	Ø CC	Ø FF ^{+0,13} / ₀	Ø GG ^{+0,08} / _{-0,05}	P ± 0,2	R1	R2	V' Max	W Max
09	23,8	6,74	10,57	11,99		18,26	15,09		
11	26,2	11,99	13,31	14,73		20,62	18,26		
13	28,6	14,88	16,56	17,98		23,01	20,62		
15	31	18,06	20,57	22	3,25	24,61	23,01	20,9	2,5
17	33,3	21,23	23,57	24,99		26,97	24,61		
19	36,5	23,93	26,57	27,99		29,36	26,97		
21	39,7	27,1	29,57	30,99		31,75	29,36		
23	42,9	30,28	32,56	33,99	3,91	34,93	31,75	20,1	3,2
25	46	33,45	35,56	36,98		38,1	34,93		

Jam Nut Receptacle TV 07 F472A

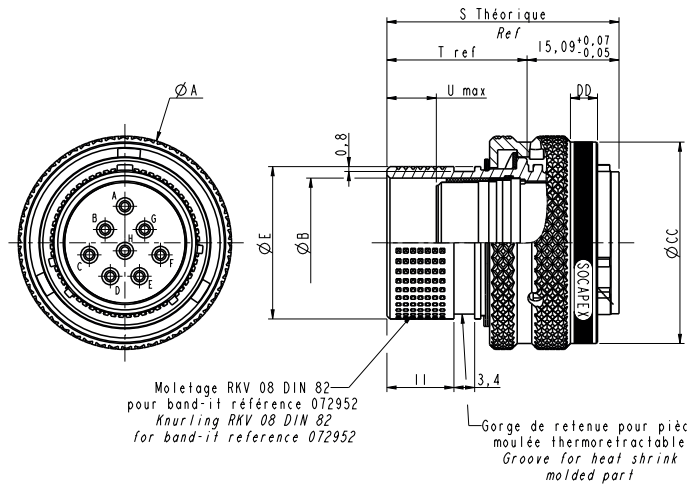


Size	S ± 0,4	GG ± 0,3	Ø CC	Ø FF ^{+0,13} / ₀	Ø BB ^{+0,08} / _{-0,05}	L Max	P ± 0,4
09	27	30,2	8,74	10,57	11,99		22,2
11	31,8	34,9	11,99	13,31	14,73	34,64	25,4
13	34,9	38,1	14,88	16,56	17,98		30,2
15	38,1	41,3	18,06	20,57	22	34,81	33,3
17	41,3	44,5	21,23	23,57	24,99		36,5
19	46	49,2	23,93	26,57	27,99		39,7
21	49,2	52,4	27,1	29,57	30,99		42,9
23	52,4	55,6	30,28	32,56	33,99	35,63	46
25	55,6	58,7	33,45	35,56	36,98		50,8

38999 INTEGRATED BACKSHELLS

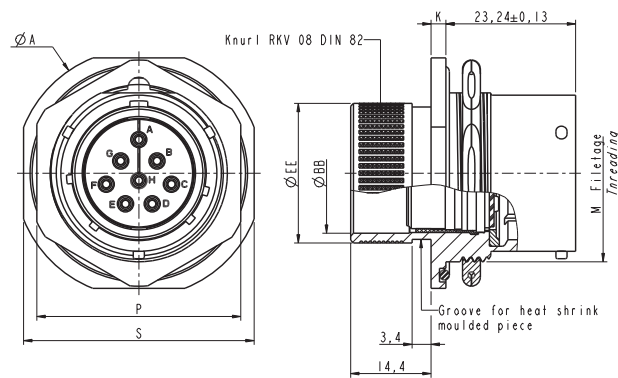
LJT

Plug LJT 06 F472



Size	Ø A Max	Ø B	Ø CC ^{+0,28} / ₀	Ø DD ^{+1,14} / _{-0,91}	Ø EE ⁰ / _{-0,2}	S	T ref	U Max
09	21,82	8,74	19,81	4,06	12	38,09	23	8,5
11	24,99	11,99	22,99		15			
13	29,36	14,88	26,95		18			
15	32,54	18,06	30,12		22			
17	35,71	21,23	33,05		25			
19	38,51	23,93	36,12		26,95			
21	41,68	27,1	39,22		30,12			
23	43,86	30,28	42,34	33,3	40,09	25	10,5	
25	48,03	33,45	45,54	36,47				

Jam Nut Receptacle LJT 07 F472



Size	S ± 0,41	Ø A ± 0,41	Ø K ^{+0,28} / _{-0,25}	P ± 0,43	Ø BB	Ø EE Max	Threading Class 2A UNEF
09	26,97	30,18	2,77	22,23	9	12	6875-24
11	31,75	34,93		25,4	12,2	15	8125-20
13	34,93	38,1		30,18	15,1	18	1.0000-20
15	38,1	41,28		33,32	18,3	22	1.1250-18
17	41,28	44,45		36,53	21,5	25	1.2500-18
19	46,02	49,23		39,67	24,2	28	1.3750-18
21	49,23	52,37		42,88	27,3	31	1.5000-18
23	52,37	55,58	3,56	46,02	30,5	34	1.6250-18
25	55,58	58,72		50,8	33,7	37	1.7500-18



NOTES

A series of horizontal dotted lines for taking notes, spanning the width of the page.

38999 INTEGRATED BACKSHELLS

How to order

Integrated backshells for TV (MIL-DTL-38999 Series III) - Crimp contacts only

Series	TV	07	R	F	09-09	P	-	-	F472
TV: Metallic shell									
Shell type P00: Square flange receptacle: 175°C (O.D. cadmium, b.zinc nickel) PS00: Square flange receptacle: 200°C (nickel) 07: Jam nut receptacle: 175°C (O.D. cadmium, b.zinc nickel) S07: Jam nut receptacle: 200°C (nickel) 06: Straight plug: 175°C (O.D. cadmium, b.zinc nickel) S06: Straight plug: 200°C (nickel)									
Contact type R: Crimp contacts Omit for black zinc nickel plating									
Class W: Olive Drab Cadmium plating (on aluminum or composite) F: Nickel Plating (on aluminum or composite) ✓ ZN: Black Zinc Nickel plated aluminum ✓									
Shell size and Contact arrangement Please consult TV-CTV catalog (DOC-000035-ANG) see section "Insert Arrangements"									
Contact type P: Pin S: Socket									
Polarization Blank for normal or A, B, C, D, E. See <i>polarization system, catalog TV-CTV DOC-000035-ANG : section "Insert Arrangements", sub-section "polarization"</i>									
Contacts Omit for connectors delivered with contacts LC: Connector delivered without contacts									
Deviation F472A Integrated backshells for micro-band									

Integrated backshells for LJT - Crimp contacts only

Series	LJT	06	RT	17-08	S	-	014	F472
Shell type 06: Straight plug 07: Jam nut receptacle								
Service class and contact style RT: Environmental, with accessory thread, crimp contacts								
Shell size and contact arrangement Please consult TV-CTV catalog (DOC-000035-ANG) see section "Insert Arrangements"								
Contact type P: Pin S: Socket								
Coding Blank for normal or A, B, C, D								
Finish 014: Olive drap cadmium plated 023: Electroless nickel plated ✓ 033K: Black zinc nickel plated ✓								
Deviation F472 Integrated backshells								

Example : LJT 06 RT 17-08 S 014 F472 = LJT Plug - 17-08 arrangement - Socket contact - Normal polarization - Aluminum Olive Drab Cadmium plated - Integrated backshell

