

## 38999 INTEGRATED BACKSHELLS

All in one



### Description

#### MIL-DTL-38999 Series I & III Connectors with INTEGRATED BACKSHELL

Available on plugs and receptacles, these 2 in 1 connectors/band backshells provide a high EMI protection with a quick, easy and cost effective cabling process. They are low profile, with enhance sealing level and allow the use of macro and micro bands, as well as straight or right angled heat shrink molded pieces. The design of the shells make them compatible with over molding process.

### Main Features

- Suitable for MIL-DTL-38999 Series III and Series I connectors
- Available on plugs and receptacles
- All in one product : time saving during order and installation
- Total length saving : average -47% vs standard plug with TV35 backshell
- Average -50% lighter vs standard plug with TV35 backshell
- High EMI protection
- Braid clamping (metal Band-it)
- Available materials/plating:
  - Aluminum (olive drab cadmium / electroless nickel / black zinc nickel)
  - Bronze
  - Stainless steel

### Markets & Applications



C4ISR



Ground Vehicles



Commercial Aerospace



#### *Applications :*

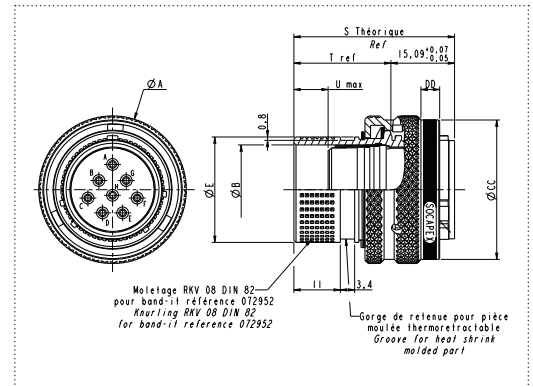
- › I/O connectors for boxes
- › Communication systemes on the field
- › Various embedded equipement

# 38999 INTEGRATED BACKSHELLS

## TV

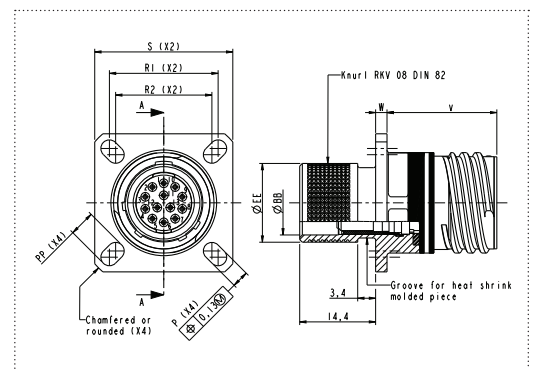
### Plug TV 06 F472

Size	ØDD Max	ØEE Max	ØBB	ØB +0,2 0
09	21,8	12	9,0	18,4
11	25,0	15	12,2	21,1
13	29,4	18	15,1	25,4
15	32,5	22	18,3	28,7
17	35,7	25	21,5	32,2
19	38,5	28	24,2	34,9
21	41,7	31	27,3	38,1
23	44,9	34	30,5	41,1
25	48,0	37	33,7	44,3



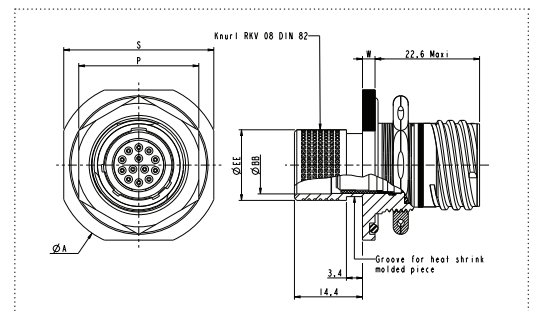
### Square Flange Receptacle TVP 00 F472

Size	S±0,3	R1	R2	PP±0,2	P±0,2	ØEE max	ØBB	V 0 -1,25	W
09	23,8	18,26	15,09	5,49		12	9,0		
11	26,2	20,62	18,26			15	12,2		
13	28,6	23,01	20,62	4,93		18	15,1	20,83	2,1 - 2,5
15	31,0	24,61	23,01	4,39	3,25	22	18,3		
17	33,3	26,97	24,61			25	21,5		
19	36,5	29,36	26,97	4,93		28	24,2		
21	39,7	31,75	29,36			31	27,3	20,07	2,1 - 3,2
23	42,9	34,93	31,75		3,91	34	30,5		
25	46,0	38,10	34,93			37	33,7		



### Jam Nut Receptacle TV 07 F472

Size	S±0,4	P±0,4	ØDD±0,3	ØEE Max	ØBB	W +0,9 -0,1
09	27,0	22,2	30,2	12	9,0	
11	31,8	25,4	34,9	15	12,2	
13	34,9	30,2	38,1	18	15,1	2,2
15	38,1	33,3	41,3	22	18,3	
17	41,3	36,5	44,5	25	21,5	
19	46,0	39,7	49,2	28	24,2	
21	49,2	42,9	52,4	31	27,3	3,0
23	52,4	46	55,6	34	30,5	
25	55,6	50,8	58,7	37	33,7	

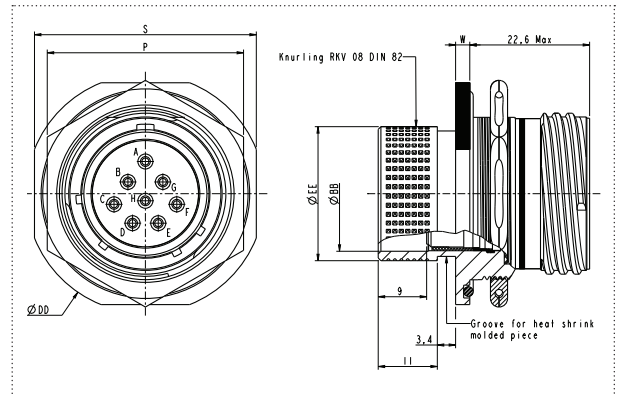


# 38999 INTEGRATED BACKSHELLS

LJT

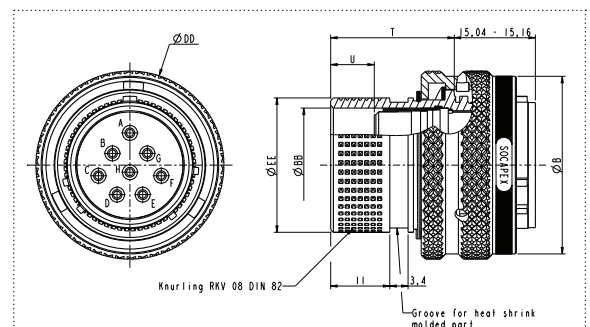
## Jam Nut Receptacle TV 07 F472

Size	S±0,4	P±0,4	ØDD±0,3	ØEE Max	ØBB	W +0,9 -0,1
09	27,0	22,2	30,2	12	9,0	2,2
11	31,8	25,4	34,9	15	12,2	
13	34,9	30,2	38,1	18	15,1	
15	38,1	33,3	41,3	22	18,3	
17	41,3	36,5	44,5	25	21,5	3,0
19	46,0	39,7	49,2	28	24,2	
21	49,2	42,9	52,4	31	27,3	
23	52,4	46	55,6	34	30,5	
25	55,6	50,8	58,7	37	33,7	



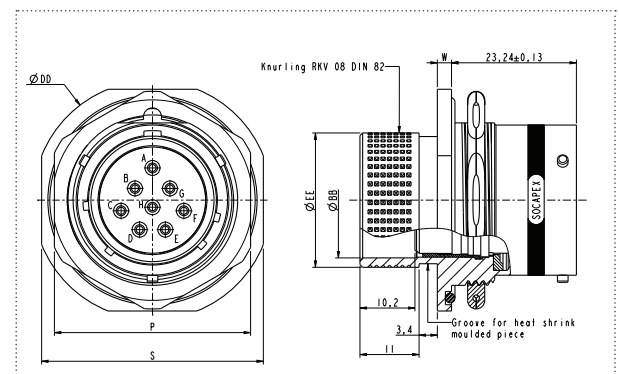
## Plug LJT 06 F472

Size	ØDD Max	ØEE Max	ØBB	U ref	T ref	ØB +0,28 0
09	21,82	12	9,0	8,5	23	19,81
11	24,99	15	12,2			22,99
13	29,36	18	15,1			26,95
15	32,54	22	18,3			30,12
17	35,71	25	21,5	10,5	25	33,05
19	38,51	26,95	24,2			36,12
21	41,68	30,12	27,3			39,22
23	43,86	33,30	30,5			42,34
25	48,03	36,47	33,7			45,54



## Jam Nut Receptacle LJT 07 F472

Size	S±0,41	P±0,43	ØDD±0,41	ØEE Max	ØBB	K +0,28 -0,25
09	26,97	22,23	30,18	12	9	2,77
11	31,75	25,4	34,93	15	12,2	
13	34,93	30,18	38,1	18	15,1	
15	38,1	33,32	41,28	22	18,3	
17	41,28	36,53	44,45	25	21,5	3,56
19	46,02	39,67	49,23	28	24,2	
21	49,23	42,88	52,37	31	27,3	
23	52,37	46,02	55,58	34	30,5	
25	55,58	50,8	58,72	37	33,7	



# 38999 INTEGRATED BACKSHELLS

## How to order

### Integrated backshells for TV (MIL-DTL-38999 Series III) - Crimp contacts only

Series	TV	07	R	F	09-09	P	-	-	F472
<b>TV:</b> Metallic shell									
<b>Shell type</b> <b>P00:</b> Square flange receptacle: 175°C (O.D. cadmium, b.zinc nickel) <b>PS00:</b> Square flange receptacle: 200°C *** (nickel) <b>07:</b> Jam nut receptacle: 175°C (O.D. cadmium, b.zinc nickel) <b>S07:</b> Jam nut receptacle: 200°C *** (nickel) <b>06:</b> Straight plug: 175°C (O.D. cadmium, b.zinc nickel) <b>S06:</b> Straight plug: 200°C *** (nickel)									
<b>Contact type</b> <b>R:</b> Crimp contacts Omit for black zinc nickel plating									
<b>Class</b> <b>W:</b> Olive Drab Cadmium plating (on aluminum or composite) <b>F:</b> Nickel Plating (on aluminum or composite) ✓ <b>ZN:</b> Black Zinc Nickel plated aluminum ✓									
<b>Shell size and Contact arrangement</b> Please consult TV-CTV catalog (DOC-000035-ANG) see section "Insert Arrangements"									
<b>Contact type</b> <b>P:</b> Pin <b>S:</b> Socket									
<b>Polarization</b> Blank for normal or <b>A, B, C, D, E.</b> See polarization system, catalog TV-CTV DOC-000035-ANG : section "Insert Arrangements", sub-section "polarization"									
<b>Contacts</b> Omit for connectors delivered with contacts <b>LC:</b> Connector delivered without contacts									
<b>Deviation</b> <b>F472</b> Integrated backshells									

### Integrated backshells for LJT - Crimp contacts only

Series	LJT	06	RT	17-08	S	-	014	F472
<b>Shell type</b> <b>00:</b> Wall mounting receptacle <b>06:</b> Straight plug <b>07:</b> Jam nut receptacle								
<b>Service class and contact style</b> <b>RT:</b> Environmental, with accessory thread, crimp contacts								
<b>Shell size and contact arrangement</b> Please consult TV-CTV catalog (DOC-000035-ANG) see section "Insert Arrangements"								
<b>Contact type</b> <b>P:</b> Pin <b>S:</b> Socket								
<b>Coding</b> <b>Blank for normal or A, B, C, D</b>								
<b>Finish</b> <b>014:</b> Olive drap cadmium plated <b>023:</b> Electroless nickel plated ✓ <b>033K:</b> Black zinc nickel plated ✓								
<b>Deviation</b> <b>F472</b> Integrated backshells								

Example : LJT 06 RT 17-08 S 014 F472 = LJT Plug - 17-08 arrangement - Socket contact - Normal polarization - Aluminum Olive Drab Cadmium plated - Integrated backshell

