

387TV - Size 7 connector

Derived from MIL-DTL-38999 Series III










Video, Ethernet, Data transmission...

...a solution to every need.

Size 7 connectors dedicated to size 8 high speed contacts (Coax, Twinax, Quadrax, 1Gb Octomax, 10Gb Octomax coming soon) and fiber optic.

Copper contacts insert arrangement with a unique size 8 cavity available with:

75Ω Coax	Concentric Twinax	Quadrax contacts	Octomax 1G26
  <p>HD-SDI / 3G-SDI Protocols</p>	  <p>Data bus BUS1553</p>	  <p>Ethernet contact Cat.5E ISO11801 Channel class D</p>	  <p>1Gb Ethernet contact</p>

COMING SOON Fiber optic 387TV MT, TVOP Size 7 and Double Luxbeam Q8D.

Main features

Available shells:

- Plugs are always delivered with integrated backshell.
- Crimp receptacles are always delivered with integrated backshell :
 - Jam nut receptacle (Standard and Reduced flange F312 version available)
 - Oval receptacle (Standard and with Clinch nut F506 version available)
- PC Tail receptacles :
 - Jam nut receptacle (Standard, Reduced flange F312 version, Stand-off Reduced flange F059 version)
 - Oval receptacle (Standard and with Clinch nut F506 version available)

Plugs are always delivered with socket contacts and receptacles with pin contacts.

- IP68: 48hours under 2 meters of water for Jam nut receptacle and mated plug when using a heat shrink boot and adhesive between the plug and the cable.

Markets & Applications



C4ISR



Aerospace



Navy



Ground Vehicles



Missile

387TV - SIZE 7 CONNECTOR

Material and platings

Same performances as MIL-DTL-38999 Series III connector in terms of Temperature and Salt Spray resistance


	Shell materials	Shell finishes	Temperature (max)	Salt spray (hours)
W	Aluminium	Olive drab cadmium	+175°C	500
F		Nickel ✓	+200°C*	48
ZN		Black zinc nickel ✓	+175°C	300

For other Materials and platings, please consult us.

✓ RoHS compliant

*Quadrax, differential Twinax and Octomax contacts are +175°C maxi compatible. Only Coax contacts are +200°C maxi compatible.

Technical Characteristics

Available arrangement	
	
Arrangement (TV-CTV)	07-05
Total contact	1
Contact size	8

ⓘ 387TV is always delivered in grounded version for the 07-05 layout

Differs from standard MIL-DTL-38999 serie III

Thread coupling	Double start instead of triple start
Shell style for crimp versions (plug and receptacle)	Always with integrated backshell
Lightning strike	Composite 38999 level (MIL-DTL-38999 class M)
EMI performances	82dB min at 100MHz (vs 90dB min for 38999 standard) 65dB min at 1000MHz (vs 85dB for 38999 standard)

Contacts

As a reminder, receptacles are only compatible with pin contact and plugs with socket contact.

	Pin contacts		Socket contacts	Compatible cable	Piggy back grommet for crimp contacts
	Crimp	PC tail	Crimp only		
Coax 75Ω* (Crimp)	603578	-	603748	PIC V75268	900472
Coax 75Ω (Crimp)	603838	-	603828	RG179	
Coax 75Ω (PC Tail)	-	612008	-	-	
Twinax	077517	600797	077516	M17/176-00002	900471
Quadrax 100Ω**	603330	900210	603338	NF24Q100	
Octomax	603072	603471	603069	Thermax MX10G-26FLX	

* Also compatible with PIC V76261, PIC73263 and EMTQ TFLX 125-075-01 cable types.

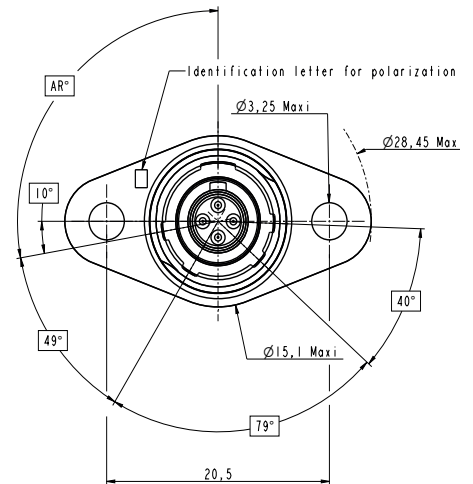
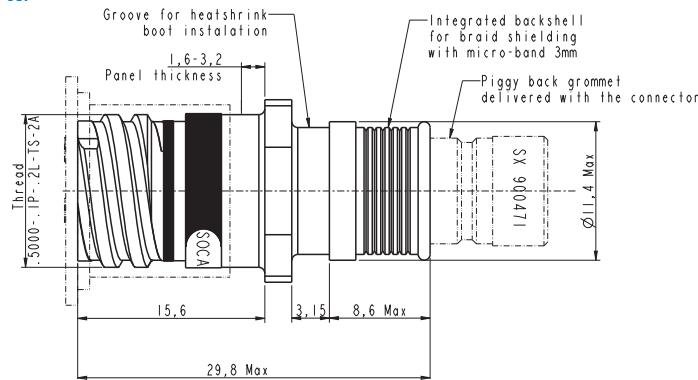
** Also compatible with Raychem 10612, EPD44690 and EPD44691 cable types.

387TV - SIZE 7 CONNECTOR OVERALL DIMENSIONS

Oval flange receptacle (pin contact only)

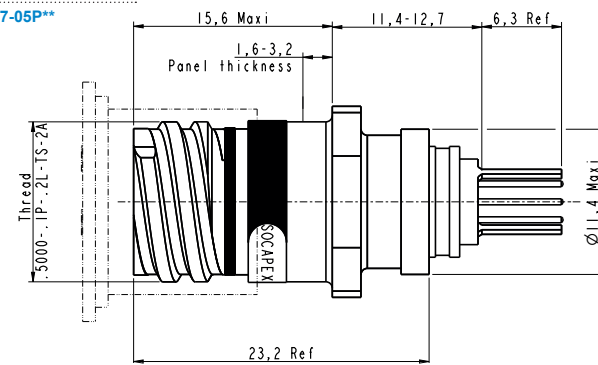
Crimp version

387TV*03***07-05P**



PC tail version

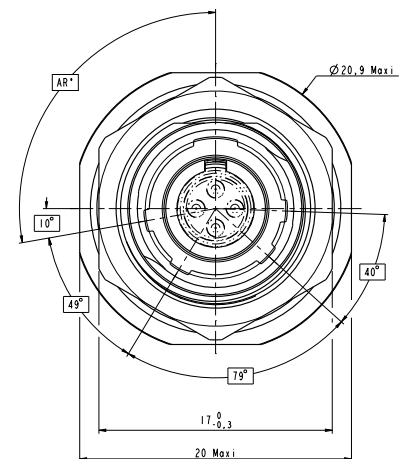
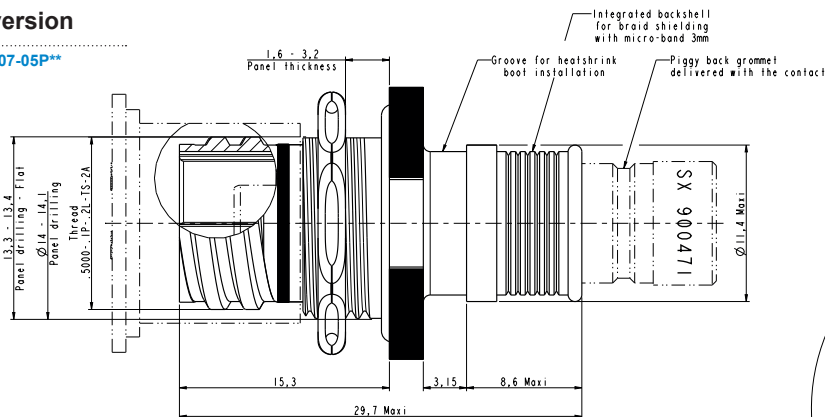
387TV*03***CI07-05P**



Jam nut receptacle (pin contact only)

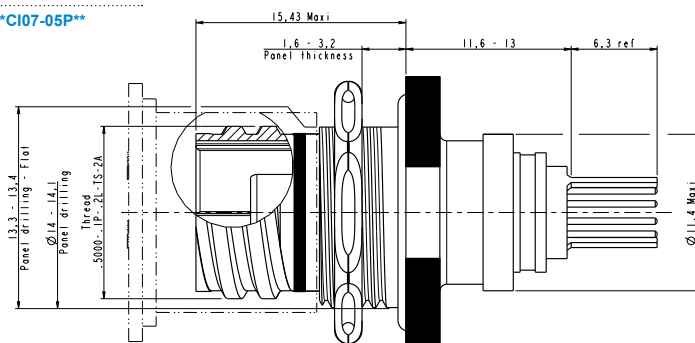
Crimp version

387TV*07***07-05P**



PC tail version

387TV*07***CI07-05P**

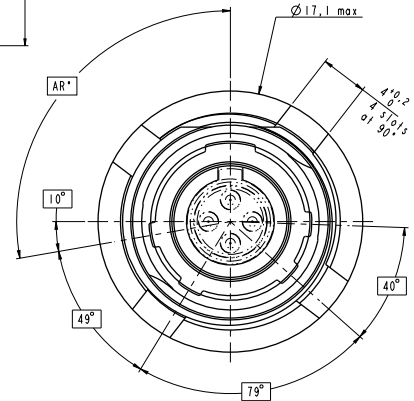
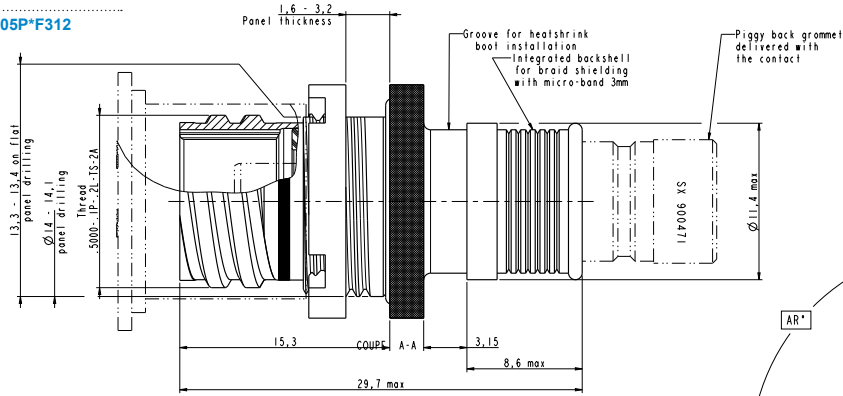


387TV - SIZE 7 CONNECTOR OVERALL DIMENSIONS

Jam nut Reduced flange receptacle (pin contact only)

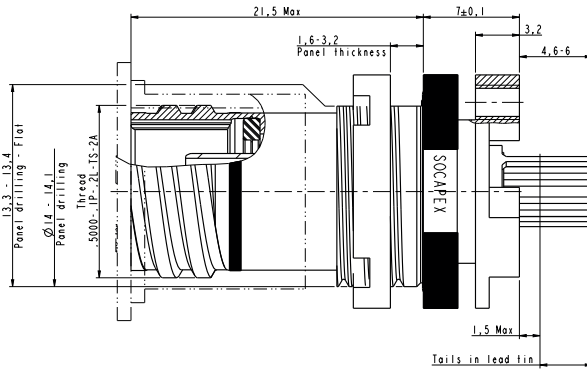
Crimp version

387TV*07***07-05P*F312



Stand-Off, PC tail version

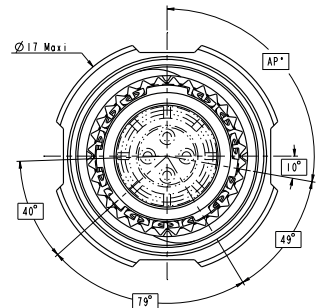
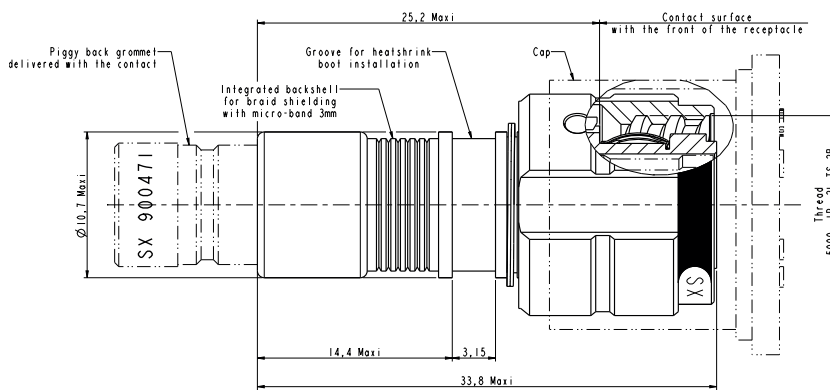
387TV*07***CI07-05P*F059



Plug (socket contact only)

Crimp

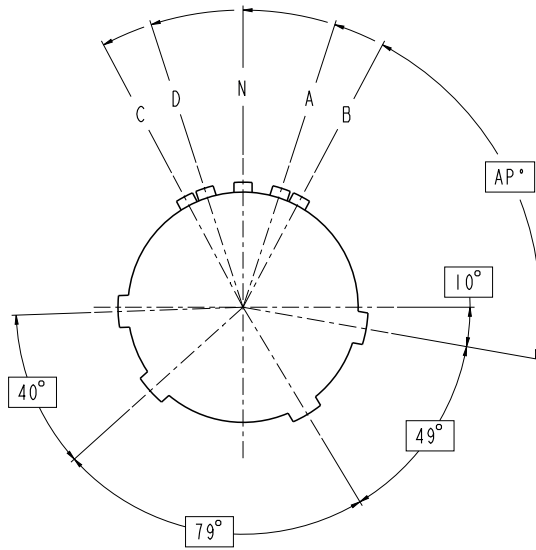
387TV*06***07-05S**



387TV - SIZE 7 CONNECTOR

Keying

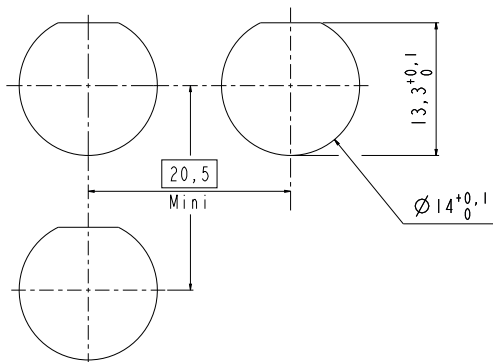
Front view of plug



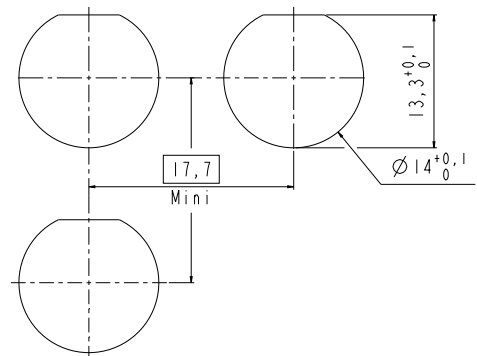
Polarization	AP°
N	100°
A	82°
B	72°
C	128°
D	118°

Panel Drilling

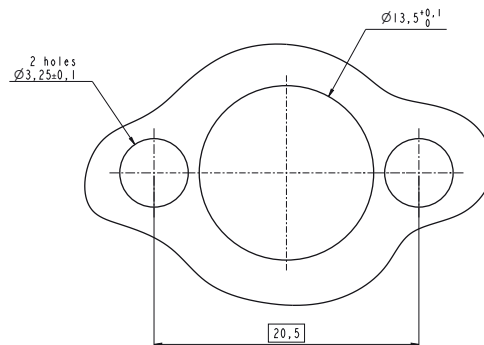
Jam nut Receptacle
387TV*07***



Jam nut Reduced flange Receptacle
387TV*07***F312 / 387TV*07***F059

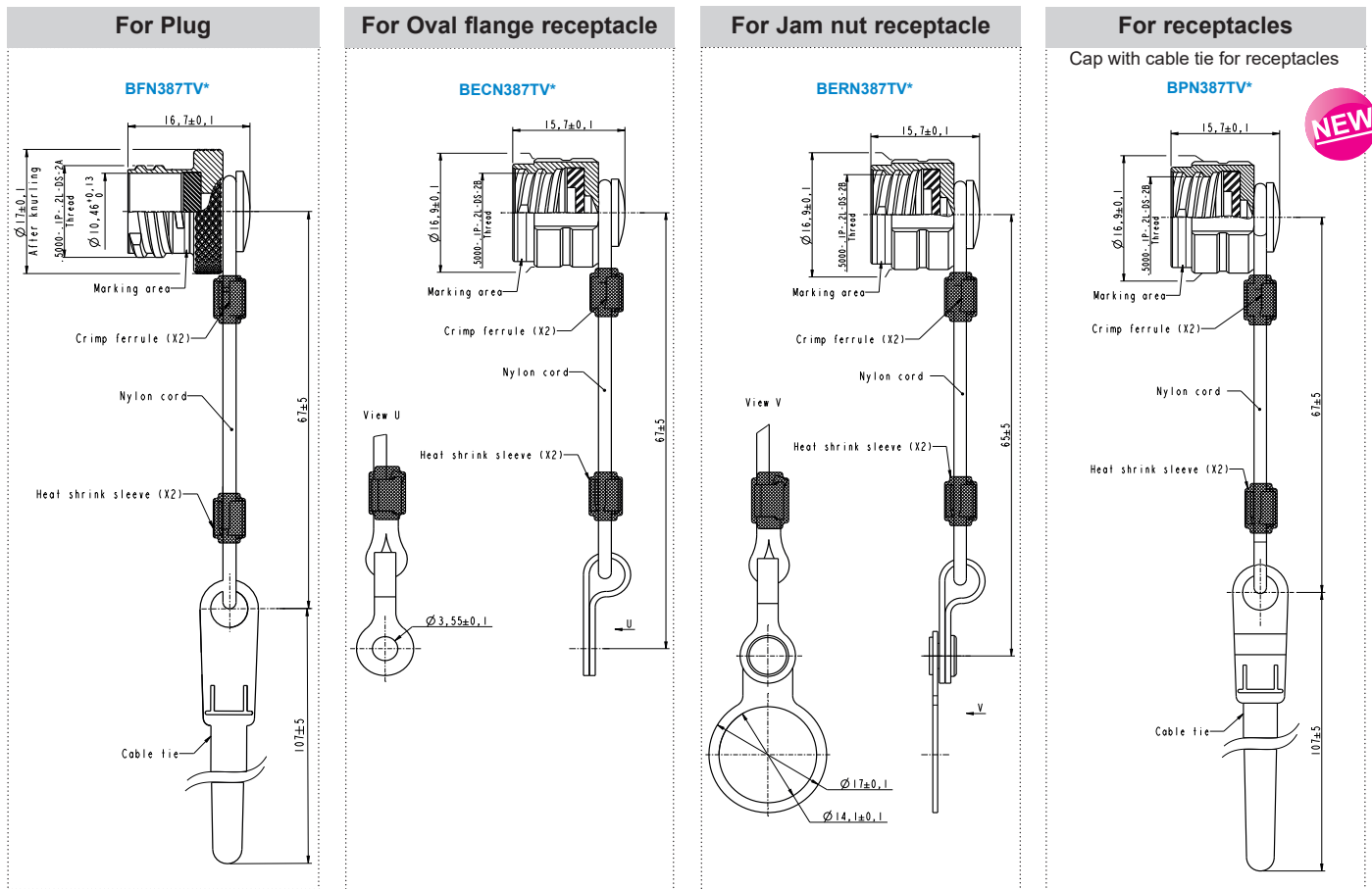


Oval flange Receptacle
387TV*03***



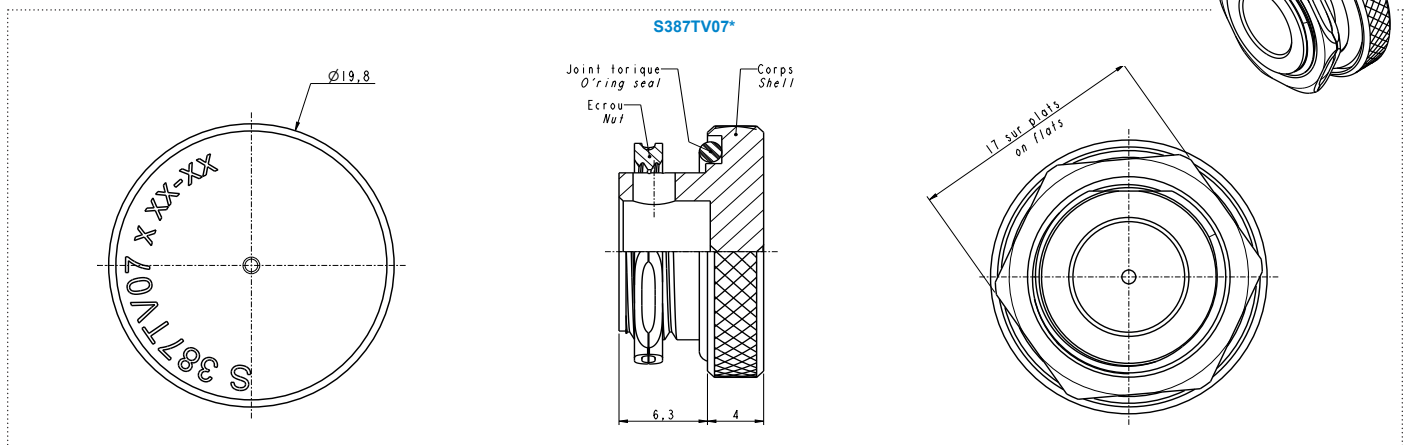
387TV - SIZE 7 CONNECTOR ACCESSORIES

Metal Caps Size 7 for 387TV Series



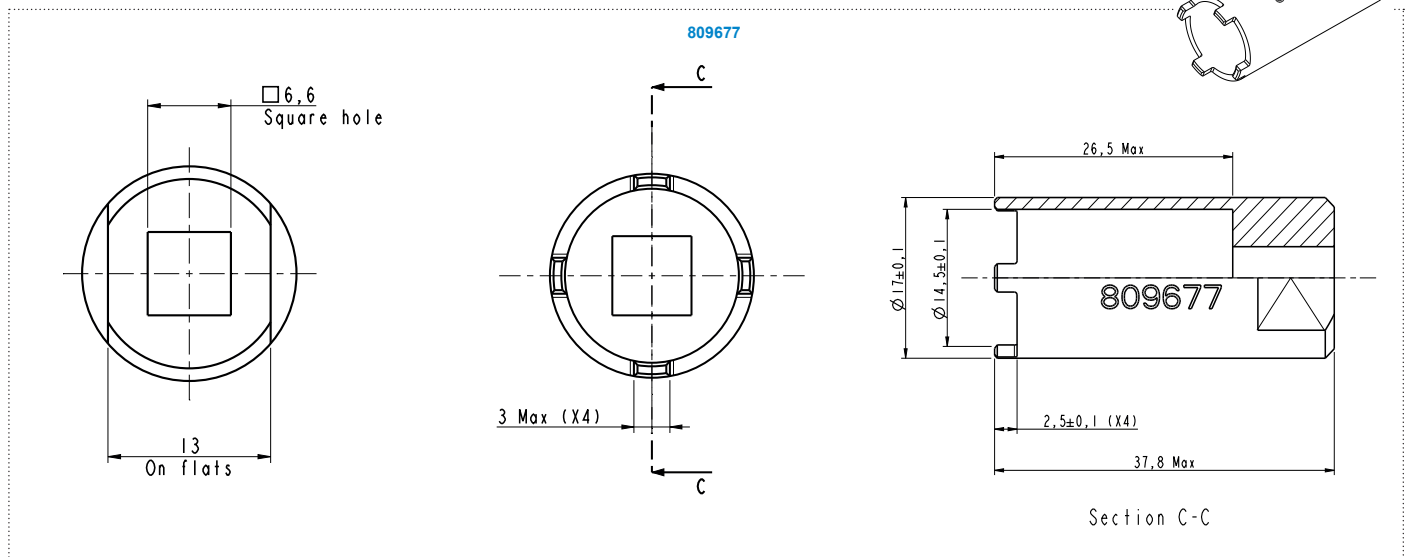
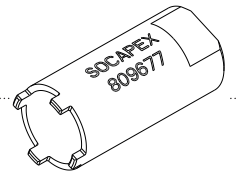
COMING SOON **Size 7 Silicon caps**

Panel stopper (Jam nut receptacle) for 387TV Series



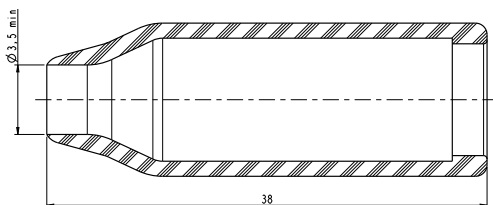
387TV - SIZE 7 CONNECTOR ACCESSORIES

Tool for 387TV Jam nut Reduced flange castle nut

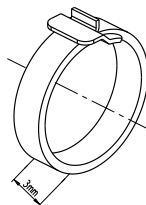


Other accessories

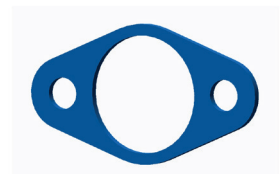
Optional Heat shrink boot
(Fluoroelastomer - without any adhesive)
804190



Optional micro-band
895693



Panel gasket for oval flange receptacle
621755



HOW TO ORDER SIZE 7 WITH CRIMP CONTACTS

	1.	2.	3.	4.	5.	6.	7.	8.	9.
Series	Shell type	Crimp contact	Conductive insert	Contact type	Material and plating	Contact arrangement	Contact gender	Keying	Deviation
387TV	07	R	G	V	W	07-05	P	-	F312

1. Shell type

	Shell type	Associated materials and plating	Temperature
06	Plug with integrated backshell	W, ZN	+175°C
S06*		F	+200°C *
07	Jam nut receptacle with integrated backshell	W, ZN	+175°C
S07*		F	+200°C *
03	Oval flange receptacle with integrated backshell	W, ZN	+175°C
S03*		F	+200°C *

* For connectors with Quadrax, differential Twinax and Octomax contacts please omit the 'S' corresponding to 200°C compatibility. Quadrax, differential Twinax and Octomax contacts are +175°C maxi compatible. Only Coax contacts are +200°C maxi compatible.

2. Crimp contact

R	For W and F platings
Blank	For ZN plating

3. Conductive insert

G	387TV is only available in grounded version
---	---

4. Contact type

M	Coax 75Ω for RG179 cable type
V	Coax 75Ω for PIC V75268 cable type
T	Twinax
Q	Quadrax 100Ω
O	Octomax

5. Material and platings

	Shell material	Shell finish
W	Aluminum	Olive drab cadmium
F		Nickel ✓
ZN		Black zinc nickel ✓

For other Materials and platings, please consult us.

6. Contact arrangement

07-05	A unique arrangement available with a monocavity size 8 for high speed contacts. (For fiber optic how to order, please consult us).
-------	---

7. Contact gender

P	Pin (500 cycles) for receptacles only
S	Socket (500 cycles) for plugs only

8. Keying

Blank (for normal)	A	B	C	D
--------------------	---	---	---	---

9. Deviation

Deviation	Description	Shell type compatibility
F312	Reduced flange receptacle	07 / S07
F506	Oval flange receptacle with clinch nut	03 / S03*

For other deviations, please consult us.

* Oval flange receptacles with clinch nut are not available in Black zinc nickel.

HOW TO ORDER SIZE 7 WITH PC TAIL CONTACTS

Series	1. Shell type	2. Conductive insert	3. Contact type	4. Material and plating	5. PC Tail contact	6. Contact arrangement	7. Contact gender	8. Keying	9. Deviation
387TV	07	G	M	W	CI	07-05	P	-	F059

1. Shell type (receptacles only)

Shell type	Associated materials and plating	Temperature
07 S07*	Jam nut receptacle W, ZN F, K, S, B	+175°C +200°C *
03 S03*	Oval flange receptacle W F, K, S, B	+175°C +200°C *

* For connectors with Quadrax, differential Twinax and Octomax contacts please omit the 'S' corresponding to 200°C compatibility. Quadrax, differential Twinax and Octomax contacts are +175°C maxi compatible. Only Coax contacts are +200°C maxi compatible.

2. Conductive insert

G 387TV is only available in grounded version

3. Contact type

M	Coax 75Ω
T	Twinax
Q	Quadrax 100Ω
O	Octomax

4. Material and plating

Shell material	Shell finish
W	Olive drab cadmium
F	Aluminum Nickel ✓
ZN	Black zinc nickel ✓

For other Materials and platings, please consult us.

4. PC Tail contact

CI Standard length
For other length, please consult us

5. Contact arrangement

07-05 A unique arrangement available with a monocavity size 8 for high speed contacts. (For fiber optic how to order, please consult us)

6. Contact gender

P Pin (500 cycles) - always delivered with a pin contact

7. Keying

Blank (for normal) **A** **B** **C** **D**

9. Deviation

Deviation type	PC Tail tinning				Shell type compatibility
	Tin lead	Silver tin	Silver tin copper	Gold	
Contact tinning	F404	F404LF ✓	F404LFC ✓	Blank ✓	All
Reduced flange	F312	F312LF ✓	F312LFC ✓	F312H ✓	07 / S07
Stand-off Reduced flange	F059	F059LF ✓	F059LFC ✓	F059H ✓	07 / S07
Clinch nut	F506G	F506LF ✓	F506LFC ✓	F506 ✓	03 / S03*

For other deviation, please consult us.

* Oval flange receptacles with clinch nuts are not available in Black zinc nickel.

HOW TO ORDER SIZE 7 WITHOUT CONTACT

	1.	2.	3.	4.	5.	6.	7.	8.	9.
Series	Shell type	Crimp contact	Conductive insert	Material and plating	Contact arrangement	Contact gender	Keying	Without contact	Deviation
387TV	07	R	G	W	07-05	P	-	LC	F312

1. Shell type

	Shell type	Associated materials and plating	Temperature
06	Plug with integrated backshell	W, ZN	+175°C
S06		F	+200°C
07	Jam nut receptacle with integrated backshell	W, ZN	+175°C
S07		F	+200°C
03	Oval flange receptacle with integrated backshell	W, ZN	+175°C
S03*		F	+200°C

2. Crimp contact

R	For W and F platings
Blank	For ZN plating

3. Conductive insert

G	387TV is only available in grounded version
---	---

4. Material and plating

	Shell material	Shell finish
W	Aluminum	Olive drab cadmium
F		Nickel ✓
ZN		Black zinc nickel ✓

For other Materials and platings, please consult us.

5. Contact arrangement

07-05	A unique arrangement available with a monocavity size 8 for high speed contacts. (For fiber optic how to order, please consult us).
-------	---

6. Contact gender

P	Pin (500 cycles) for receptacle only
S	Socket (500 cycles) for plug only

7. Keying

Blank (for normal)	A	B	C	D
--------------------	---	---	---	---

8. Without contact

LC	Connector delivered without contact
----	-------------------------------------

9. Deviation

Deviation	Description	Shell type compatibility
F312	Reduced flange receptacle	07 / S07
F506	Oval flange receptacle with clinch nut	03 / S03*

For other deviations, please consult us

* Oval flange receptacles with clinch nut are not available in Black zinc nickel

HOW TO ORDER METAL CAP FOR 387TV SERIES (SIZE 7 CONNECTORS)

1.	2.	3.	4.
Cap type	Cap style	Wire type	Material and plating
B	EC	N	W

1. Cap style

EC	For Oval flange receptacle
ER	For Jam nut receptacle
P	For receptacles (cap with cable tie) 
F	For plug

2. Wire type

N	Nylon cord
---	------------

3. Series

387TV	387TV Series for size 7 connectors
-------	------------------------------------

4. Material and plating

	Shell material	Shell finish
W		Olive drab cadmium
F	Aluminum	Nickel ✓
ZN		Black zinc nickel ✓

For other Materials and platings, please consult us.

HOW TO ORDER PANEL STOPPER (JAM NUT RECEPTACLE) FOR 387TV SERIES

1.	2.	4.
Cap type	Series	Material and plating
S	387TV	W

1. Series

387TV	387TV Series for size 7 connectors
-------	------------------------------------

2. Cap style

07	For Jam nut receptacles
----	-------------------------

3. Material and plating

	Shell material	Shell finish
W		Olive drab cadmium
F	Aluminum	Nickel ✓
ZN		Black zinc nickel ✓

✓ RoHS compliant

Amphenol Socapex
948, promenade de l'Arve BP29
74311 Thyez Cedex - France
Phone: +33 (0)4 50 89 28 00
contact@amphenol-socapex.fr

www.amphenol-socapex.com
Follow Amphenol Socapex on social media :



Designed by Amphenol Socapex
DOC-000106-ANG - January 2021

We reserve the right to modify our products in any way we deem necessary.
Any duplication is prohibited, unless approved in writing.

Amphenol SOCAPEX