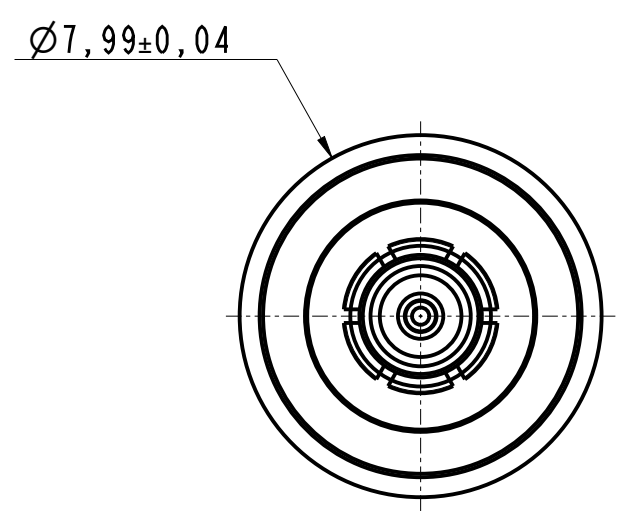
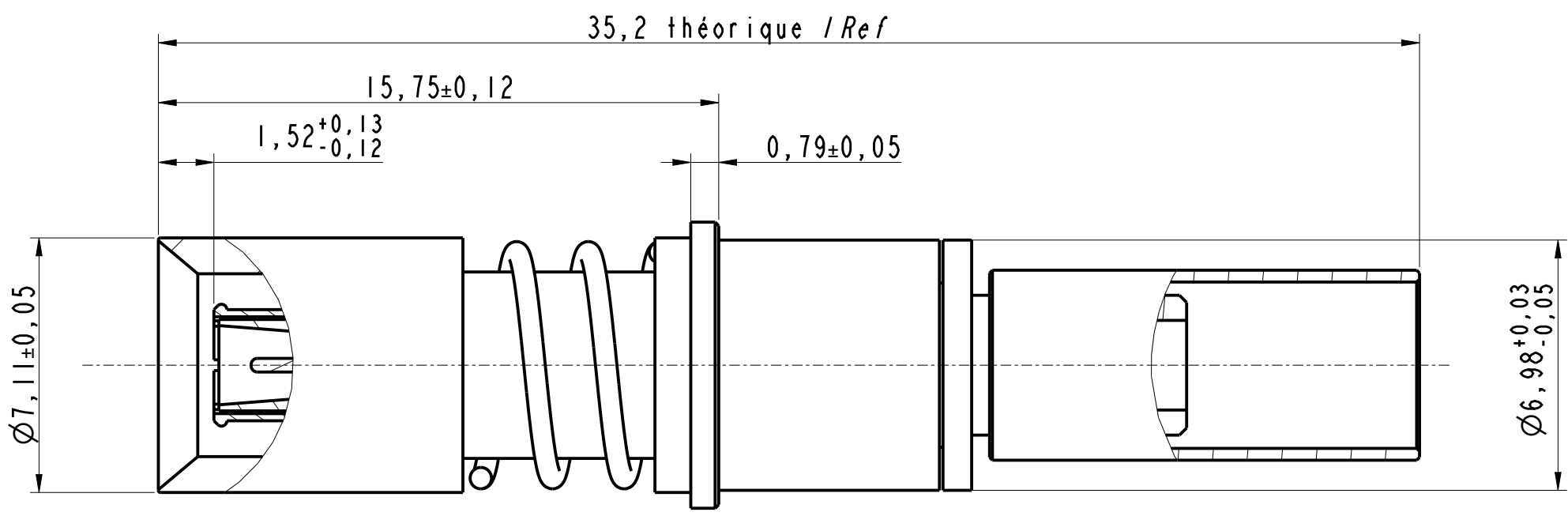
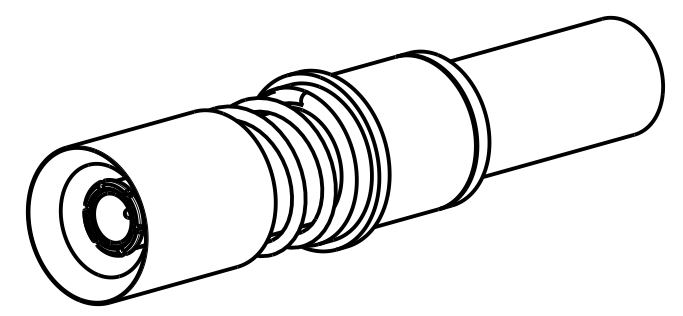


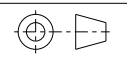
IN THE CONSTANT PURPOSE OF IMPROVING ITS PRODUCTS, AMPHENOL SOCAPEX RESERVES THE RIGHT TO MODIFY ANY DIMENSION OR CHARACTERISTICS.
FM.NPD.0036.THYZE.PUNE rev C



Note:

- ① - Contact livré non assemblé
Contact delivered unassembled
- ② - Cable compatible: V73263
Cable compatible: V73263
- ③ - Outil de sertissage:
Contact intérieur TBD
Contact extérieur TBD
Crimping tool:
Inner contact TBD
Outer contact TBD
- ④ - Matières:
- Contact extérieur: inox
- Contact intermédiaire: alliage de cuivre
- Contact intérieur, fut de sertissage et ferrule: laiton
- Isolants: PTFE ou équivalent
Material:
- Outer contact: Stainless steel
- Intermediary contact: copper alloy
- Inner contact, crimping barrel and ferrule: brass
- Inserts: PTFE or equivalent
- ⑤ - Traitements:
- Contact extérieur: passivation
- Contact intermédiaire, intérieur, fut de sertissage et ferrule: dorure
Finish:
- Outer contact: passivation
- Intermediary and inner contact, crimping barrel and ferrule: Gold



Douille Coax T8 75 ohms 6G-SDI Socket Coax S8 75ohms 6G-SDI Ref : 612465			
DRAWN BY : M.PRUD'HOM		UPDATED BY : M.LAINE	
		LAST APPROVED BY : L.LAGRANGE	
<small>ALL DIMENSIONS ARE IN MM</small> <small>SCALE : 6</small> 	AMPHENOL SOCAPEX B.P. 29 74311 THYZE CEDEX		
	<small>ORIGINAL DRAWING DATE :</small> 24/02/21	<small>CONFIGURATION DATA ARE AVAILABLE IN PDM</small>	
<small>REV : B</small>		<small>PAGE : 1/1</small>	
172-PLC-268-00			